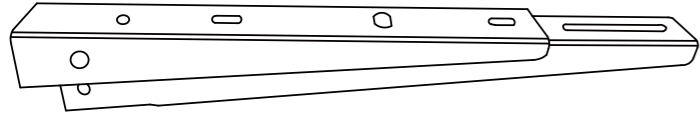
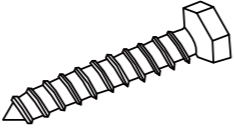
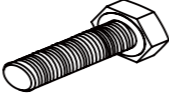




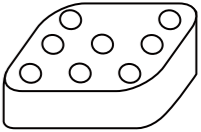
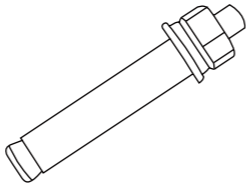
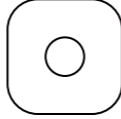
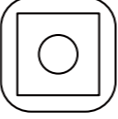


WAFP24 - ASSEMBLY INSTRUCTION

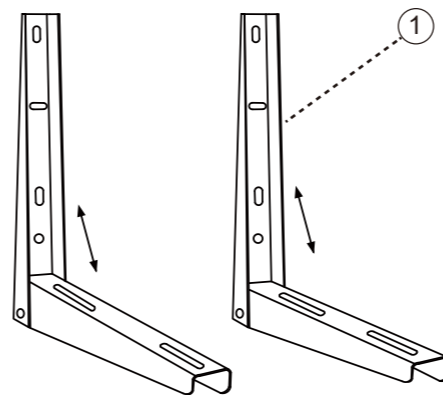
PARTS LIST	FITTINGS						
<p>1 - 2PCS</p> 	<p>A - 4PCS</p> 	<p>B - 4PCS</p>  M8	<p>C - 4PCS</p> 	<p>D - 4PCS</p>  M8	<p>E - 4PCS</p>  M10	<p>F - 4PCS</p>  M8	<p>G - 4PCS</p> 
	<p>4PCS</p> 	<p>2PCS</p> 	<p>2PCS</p> 				

MAX LOAD WEIGHT: 180KGS(396LBS)
 PRODUCT SIZE : 18-5/16" × 24-1/64" (465*610mm)

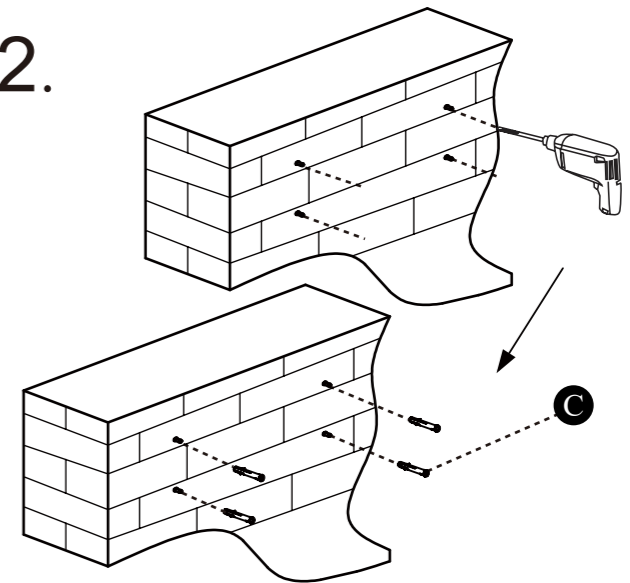
WARNING!

- Products must be installed by professionals
- This product has been designed for use on a vertical wall constructed of masonry (solid concrete)
- Do not use this product for any other application than original designed

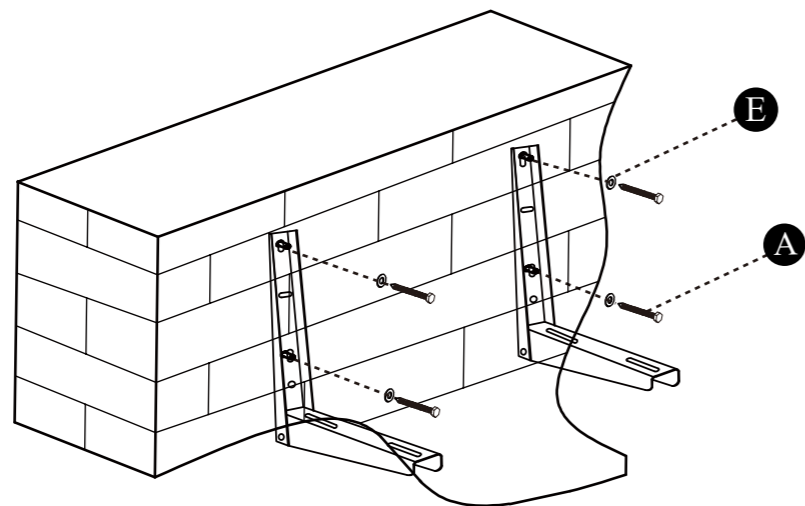
1.



2.



3.



4.

