
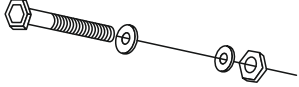
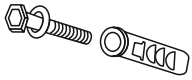
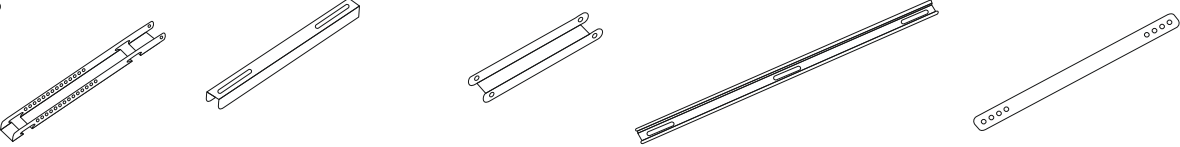


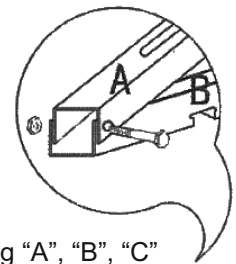
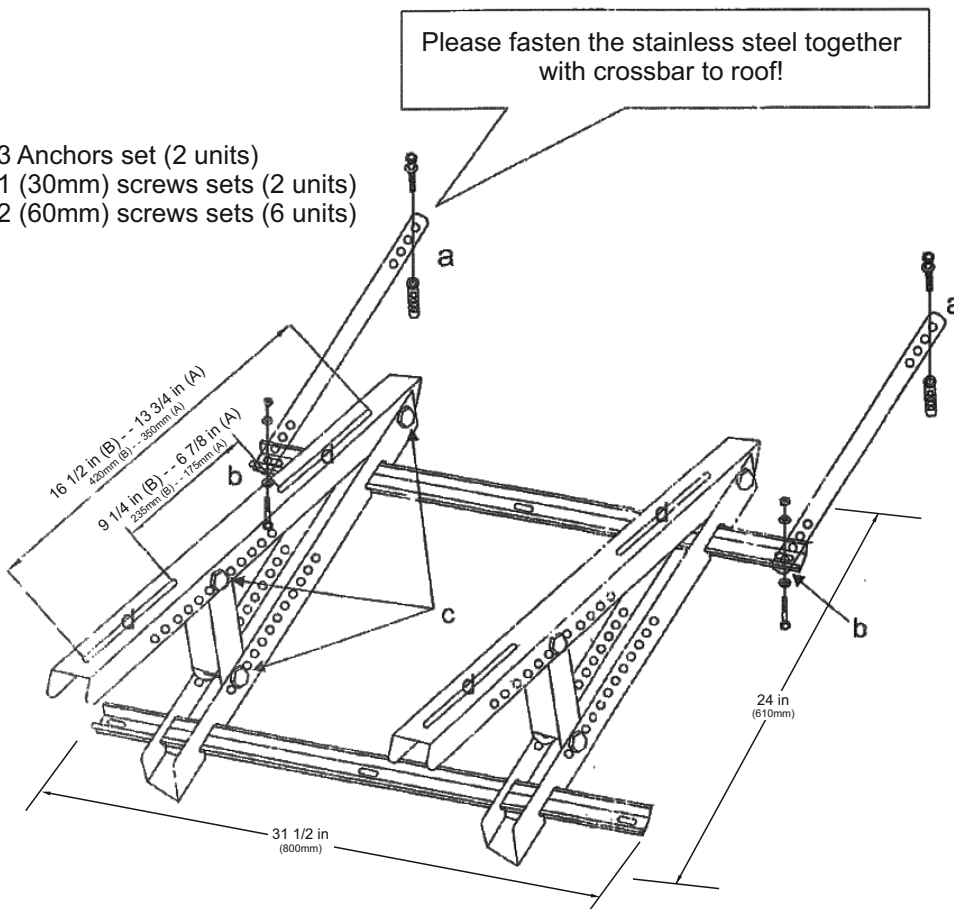
# WAFR24 - BRACKET INSTRUCTION

## 1. Accessories list

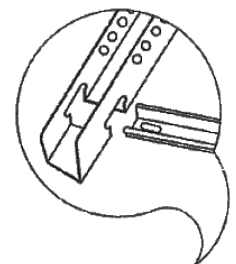
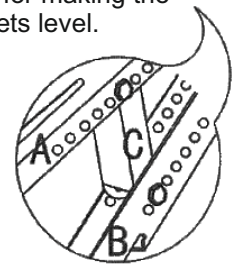
<p>1. (6) 30mm(L) screw with (6) hex nuts and (12) flat washers</p> 	<p>2. (6) 60mm(L) screw with (6) hex nuts and (6) flat washers</p> 	<p>3. (2) Anchors with (2) hex nuts and (2) flat washers</p> 
<p>4. Plits</p> 		

## 2. Installation Instructions

- a. use 3 Anchors set (2 units)
- b. use 1 (30mm) screws sets (2 units)
- c. use 2 (60mm) screws sets (6 units)



1. Linking "A", "B", "C" by screws in order referring to the pictures. Brackets "C" is adjusted with the angle for making the brackets level.



Optional: Place the Vibration mounts on "d" (total 4 position).  
 Install the Vibration mount using 1 (30 mm) screws sets.

2. Please install two top bar according to the picture.