

Before using your air conditioner, please read this manual carefully and keep it for future reference.

**INVERTER ONE-TWO / ONE-THREE  
/ONE- FOUR/ONE-FIVE SPLIT-TYPE  
ROOM AIR CONDITIONER**

**KMIR**  
*MULTI-ZONE  
SERIES*

# **INSTALLATION MANUAL**

**KLIMAIRE®** ≈

- Please read this installation manual completely before installing the product.
- If the power cord is damaged, replacement work shall be performed by authorised personnel only.
- Installation work must be performed in accordance with the national wiring Standards by authorised personnel only.
- Contact an authorised service technician for repair, maintenance or installation of this unit.

# CONTENTS

---

## **SAFETY PRECAUTIONS**

Warning .....	2
Caution .....	2

## **INSTALLATION INSTRUCTIONS**

Selecting installation place.....	3
Wall-mounted type .....	3
Accessories .....	4
Four-way cassette type .....	9
Duct & Ceiling type .....	15
Ceiling and Floor type .....	21
Floor and Standing type(Console).....	24
Outdoor unit installation .....	28

## **REFRIGERANT PIPE CONNECTION**

Refrigerant pipe connection .....	29
-----------------------------------	----

## **ELECTRICAL WORK**

Electrical work .....	30
-----------------------	----

## **AIR PURGING**

Air purging with vacuum pump .....	35
Safety and leakage check .....	36

## **TEST RUNNING**

Test running .....	37
--------------------	----

## **Read This Manual**

Inside you will find many helpful hints on how to install and test the air conditioner properly. All the illustrations and specifications in the manual are subject to change without prior notice for product improvement. The actual shape should prevail.





### **CAUTION**


- Contact an authorised service technician for repair or maintenance of this unit.
- The appliance shall be installed in accordance with national wiring regulations.
- This appliance is not intended for use by persons(including children) with reduced physical, sensory or mental capabilities, or lack of experience and knowledge, unless they have been given supervision or instruction concerning use of the appliance by a person responsible for their safety.
- Young children should be supervised to ensure that they do not play with the air conditioner.
- Do not operate your air conditioner in a wet room such as a bathroom or laundry room.
- Installation work must be performed in accordance with the national wiring standards by authorised personnel only.

## SAFETY PRECAUTIONS



- Read the follow SAFETY PRECAUTIONS carefully before installation.
- Electrical work must be installed by a licensed electrician. Be sure to use the correct rating of the power plug and main circuit for the model to be installed.
- Incorrect installation due to ignoring of the instruction will cause harm or damage.
  - **The seriousness is classified by the following indications.**

 <b>WARNING</b>	This symbol indicates the possibility of death or serious injury.
 <b>CAUTION</b>	This symbol indicates the possibility of injury or damage to property.


- **The items to be followed are classified by the symbols:**

	Symbol with background white denotes item that is PROHIBITED from doing.
---	--

### **WARNING**

- 1) Engage dealer or specialist for installation. If installation done by the user is defective, it will cause water leakage, electrical shock or fire.
- 2) Install according to this installation instructions strictly. If installation is defective, it will cause water leakage, electrical shock or fire.
- 3) Use the attached accessories parts and specified parts for installation. otherwise, it will cause the set to fall, water leakage, electrical shock or fire.
- 4) Install at a strong and firm location which is able to withstand the set's weight. If the strength is not enough or installation is not properly done, the set will drop and cause injury.
- 5) For electrical work, follow the local national wiring standard, regulation and this installation instructions. An independent circuit and single outlet must be used. If electrical circuit capacity is not enough or defect found in electrical work, it will cause electrical shock or fire.
- 6) Use the specified cable and connect tightly and clamp the cable so that no external force will be acted on the terminal. If connection or fixing is not perfect, it will cause heat-up or fire at the connection.
- 7) Wiring routing must be properly arranged so that control board cover is fixed properly. If control board cover is not fixed perfectly, it will cause heat-up at connection point of terminal, fire or electrical shock.
- 8) When carrying out piping connection, take care not to let air substances other than the specified refrigerant go into refrigeration cycle. Otherwise, it will cause lower capacity, abnormal high pressure in the refrigeration cycle, explosion and injury. 
- 9) Do not modify the length of the power supply cord or use of extension cord, and do not share the single outlet with other electrical appliances. Otherwise, it will cause fire or electrical shock. 

### **CAUTION**

- 1) This equipment must be earthed and installed with earth leakage current breaker. It may cause electrical shock if grounding is not perfect.
- 2) Do not install the unit at place where leakage of flammable gas may occur. In case gas leaks and accumulates at surrounding of the unit, it may cause fire. 
- 3) Carry out drainage piping as mentioned in installation instructions. If drainage is not perfect, water may enter the room and damage the furniture.
- 4) The appliance shall be installed in accordance with national wiring regulations.
- 5) Do not operate your air conditioner in a wet room such as a bathroom or laundry room.
- 6) An all-pole disconnection device which has at least 3mm clearances in all poles , and have a leakage current that may exceed 10mA, the residual current device (RCD) having a rated residual operating current not exceeding 30mA, and disconnection must be incorporated in the fixed wiring in accordance with the wiring rules.

## 1. Wall-mounted type

### Selecting installation place

Read completely, then follow step by step.

#### Indoor unit

- Do not expose the indoor unit to heat or steam.
- Select a place where there are no obstacles in front or around the unit.
- Make sure that condensation drainage can be conveniently routed away.
- Do not install near a doorway.
- Ensure that the space on the left and right of the unit is more than 12cm.
- Use a stud finder to locate studs to prevent unnecessary damage to the wall.
- The indoor unit should be installed on the wall at a height of 2.3 metres or more from the floor.
- The indoor unit should be installed allowing a minimum clearance of 15cm from the ceiling.
- Any variations in pipe length will/may require adjustment to refrigerant charge.
- There should not be any direct sunlight. Otherwise, the sun will fade the plastic cabinet and affect its appearance. If unavoidable, sunlight prevention should be taken into consideration.

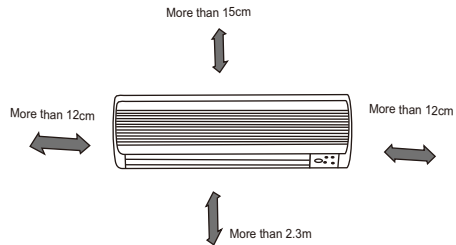


Fig.1

#### Outdoor unit

- If an awning is built over the outdoor unit to prevent direct sunlight or rain exposure, make sure that heat radiation from the condenser is not restricted.
- Ensure that the clearance around the back of the unit is more than 30cm and left side is more than 30cm. The front of the unit should have more than 200cm of clearance and the connection side (right side) should have more than 60cm of clearance.
- Do not place animals and plants in the path of the air inlet or outlet.
- Take the air conditioner weight into account and select a place where noise and vibration will not be an issue.
- Select a place so that the warm air and noise from the air conditioner do not disturb neighbors.

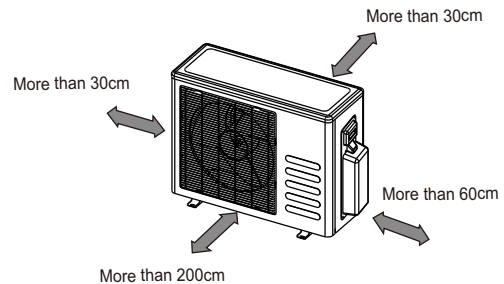


Fig.2

#### Rooftop installation:

- If the outdoor unit is installed on a roof structure, be sure to level the unit.
- Ensure the roof structure and anchoring method are adequate for the unit location.
- Consult local codes regarding rooftop mounting.
- If the outdoor unit is installed on roof structures or external walls, this may result in excessive noise and vibration, and may also be classed as a non serviceable installation.

# INSTALLATION INSTRUCTIONS

## Tools needed for installation:

Level gauge  
 Screwdriver  
 Electric drill, Hole core drill (  $\phi$  65mm)  
 Flaring tool set  
 Specified torque wrenches: 1.8kgf.m, 4.2kgf.m,  
 5.5kgf.m, 6.6kgf.m(different depending on model No.)  
 Spanner (half union)  
 Hexagonal wrench (4mm)  
 Gas-leak detector

Vacuum pump  
 Gauge manifold  
 Users manual  
 Thermometer  
 Multimeter  
 Pipe cutter  
 Measuring tape

## Accessories

Number	Name of Accessories		Q' ty/one unit	
1	Installation Plate		1	
2	Plastic Expansion Sheath		5-8 (depending on models)	
3	Self-tapping Screw A ST3.9X25		5-8 (depending on models)	
4	Connecting pipe Assembly	Liquid side	$\phi$ 6.35	Parts you must purchase Consult the technician for the proper size.
			$\phi$ 9.52	
		Gas side	$\phi$ 9.52	
			$\phi$ 12.7	
		$\phi$ 15.9		
5	Remote controller		1	
6	Self-tapping Screw B ST2.9X10	Optional parts	2	
7	Remote controller holder		1	
8	Seal (for cooling& heating models only)		1	
9	Drain Joint (for cooling& heating models only)		1	
10	Transfer connector(Packed with the indoor unit or outdoor unit, depending on models ) ( <b>NOTE:</b> Pipe size differ from appliance to appliance. To meet different pipe size requirement, sometimes the pipe connections need the transfer connector to install on the outdoor unit .)		Optional part (one piece/one indoor unit)	
			Optional part (1-5 pieces for outdoor unit, depending on models)	
11	Magnetic ring (Hitch it on the connective cable between indoor unit and outdoor unit after installation.)		Optional part (one piece/one cable)	
12	Cord protection rubber ring (If the cord clamp can not fasten the cord for the small size of the cord, please use the cord protection rubber ring (supplied with accessories) to wrap on the cord, then fix it with the cord clamp.)		1 (on some models)	

**Note:** Except the above parts provided, the other parts needed during installation you must purchase.

# INSTALLATION INSTRUCTIONS

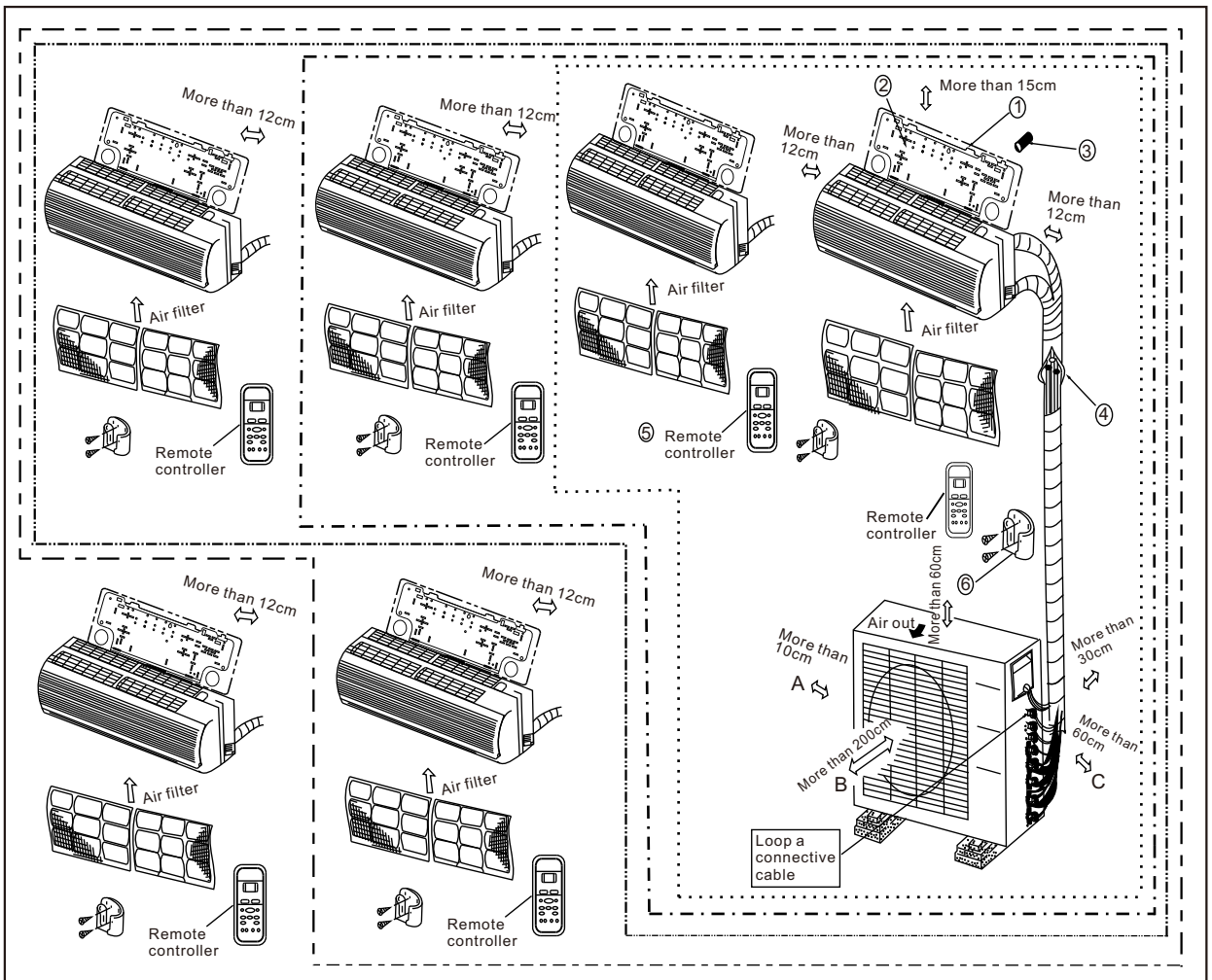


Fig.3

- ..... One-Two
- One-Three
- One-Four
- One-Five
- One-Six



## CAUTIONS

- This illustration is for explanation purposes only. The actual shape of your air conditioner may be slightly different.
- Copper lines must be insulated independently

## CAUTION

- Use a stud finder to locate studs to prevent unnecessary damage to the wall.
- A minimum pipe run of 3 metres is required to minimise vibration & excessive noise.
- Two of the A, B and C directions should be free from obstructions.

# INSTALLATION INSTRUCTIONS

## Indoor unit installation(wall-mounted type)

### 1. Fit the Installation Plate

1. Fit the installation plate horizontally on structural parts of the wall with spaces around the installation plate.
2. If the wall is made of brick, concrete or the like, drill five or eight 5mm diameter holes in the wall. Insert Clip anchor for appropriate mounting screws.
3. Fit the installation plate on the wall with five or eight type ?A? screws.

#### Note:

Fit the Installation Plate and drill holes in the wall according to the wall structure and indoor unit dimensions and the corresponding mounting points on the installation plate. The Installation Plate may be slightly different according to the different models of indoor unit. See Fig.5 for example.

(Dimensions are in ?mm? unless otherwise stated.)

Correct orientation of Installation Plate

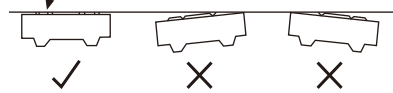
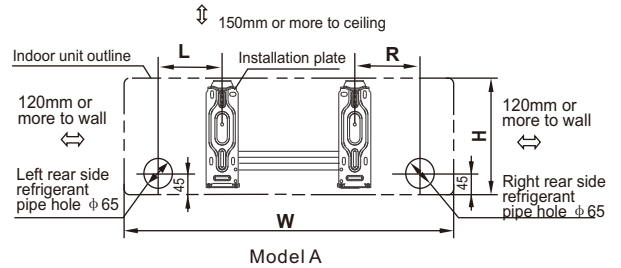
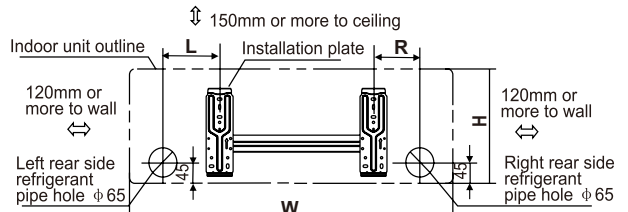


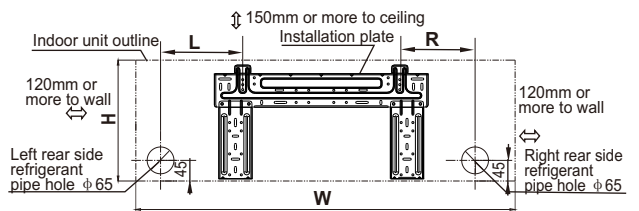
Fig.4



Model A



Model B



Model C

Fig.5

Indoor unit dimension mm(WxH)	Mounting dimensions	
	L(Left)	R(Right)
710x250	100	160
790x265	100	150
920x292	150	185
1080x330	70	105
790x275	100	85
930x275	150	205
998x322	100	120
680x255	170	92
770x255	170	95
905x275	80	100
750x280	180	110
835x280	140	110
990x315	260	135
1186x343	275	275
900x290	83	170
1045x305	100	170
715x250	85	88
800x275	100	95
940x275	110	100
1045x315	293	163
795x270	150	160
845x286	150	186
995x295	150	200
1084x320	150	140
850x275	100	130
900x285	150	90
1015x298	150	200
850x290	100	115

## 2. Drill a hole in the wall

1. Determine hole positions according to the diagram detailed in Fig.5. Drill one (1) hole ( $\phi 65\text{mm}$ ) slanting slightly to outdoor side.
2. Always use wall hole conduit when drilling metal grid, metal plate or the like.

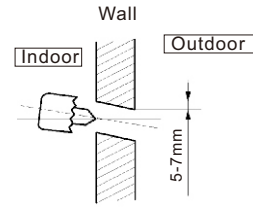
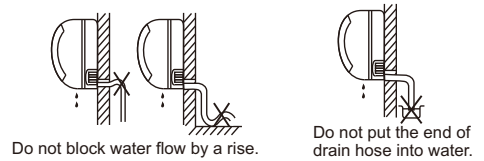


Fig.6

## 3. Connective Pipe and Drainage Installation

### Drainage

1. Run the drain hose sloping downward. Do not install the drain hose as illustrated in Fig.7.
2. When connecting extension drain hose, insulate the connecting part of extension drain hose with a shield pipe, do not let the drain hose slack.



Do not block water flow by a rise.

Do not put the end of drain hose into water.

Fig.7

### Connective pipe installation

1. For the left-hand and right-hand piping, remove the pipe cover from the side panel.
2. For the rear-right-hand and rear-left-hand piping, install the piping as shown in Fig.10.
3. Fix the end of the connective pipe. (Refer to Tightening Connection in REFRIGERANT PIPING CONNECTION)

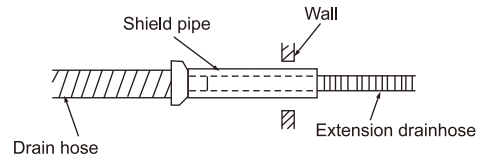


Fig.8

## 4. Piping and wrapping

Bundle the tubing, connecting cable, and drain hose with tape securely, evenly as shown in Fig.11.

- Because the condensed water from rear of the indoor unit is gathered in ponding box and is piped out of room. Do not put anything else in the box.

### CAUTION

- Connect the indoor unit first, then the outdoor unit.
- Do not allow the piping to let out from the back of the indoor unit.
- Be careful not to let the drain hose slack.
- Heat insulated both of the auxiliary piping.
- Be sure that the drain hose is located at the lowest side of the bundle. Locating at the upper side can cause drain pan to overflow inside the unit.
- Never intercross nor intertwist the power wire with any other wiring.
- Run the drain hose sloped downward to drain out the condensed water smoothly.

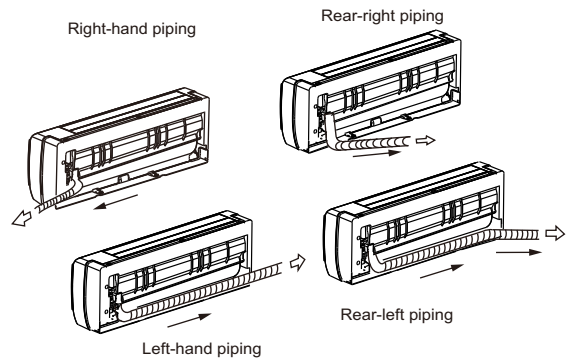


Fig.9

Fig.10

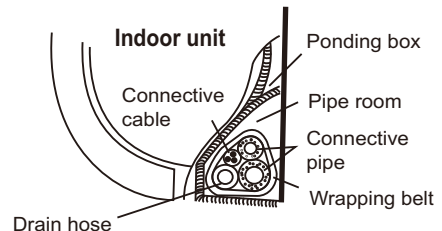


Fig.11



# INSTALLATION INSTRUCTIONS

## 4. Indoor unit installation

1. Pass the piping through the hole in the wall.
2. Put the upper claw at the back of the indoor unit on the upper hook of the installation plate, move the indoor unit from side to side to see that it is securely hooked (see Fig.12).
3. Piping can easily be made by lifting the indoor unit with a cushioning material between the indoor unit and the wall. Get it out after finish piping.
4. Push the lower part of the indoor unit up on the wall, then move the indoor unit from side to side, up and down to check if it is hooked securely.

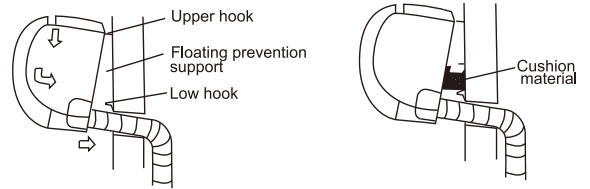


Fig.12

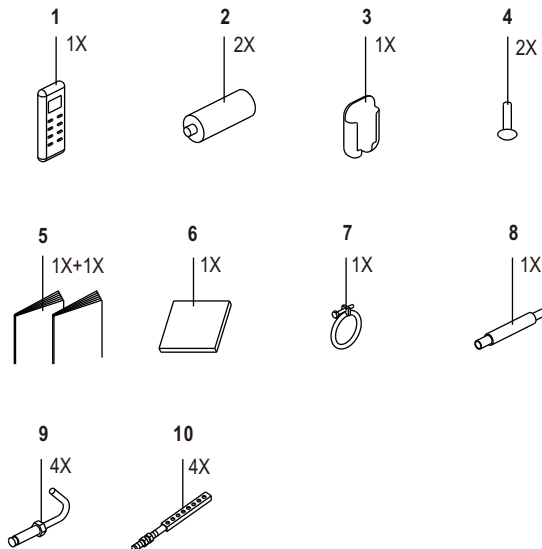
Indoor units that can be used in combination	Number of connected units	1-5units
Compressor stop/start frequency	Stop time	3 min or more
Power source voltage	Voltage fluctuation	within $\pm 10\%$ of rated voltage
	Voltage drop during start	within $\pm 15\%$ of rated voltage
	Interval unbalance	within $\pm 3\%$ of rated voltage

		1 drive 2	1 drive 3	1 drive 4	1 drive 5
Max. Length for all rooms		30m	45m	60m	75m
Max. Length for one indoor unit		20m	25m	30m	30m
Max. height different between indoor and outdoor unit	OU higher than IU	10m	10m	10m	10m
	OU lower than IU	15m	15m	15m	15m
Max. height different between indoor units		10m	10m	10m	10m

## 2. Four-way cassette type

### ACCESSORIES

Check if the following accessories are included with your unit.



- 1 Remote controller
- 2 Batteries
- 3 Remote controller holder (on some models)
- 4 Tapping screws (M3 × 10mm) (on some models)
- 5 Installation and owner's manual
- 6 Paper pattern for installation (on some models)
- 7 Metal champ (on some models)
- 8 Drain hose (on some models)
- 9 Expansive hooks (on some models)
- 10 Installation hooks (on some models)

### Optional accessories

- This indoor unit requires installation of an optional decoration panel.

### 2.1 Selecting installation site

When the conditions in the ceiling are exceeding 30°C / 86°F and a relative humidity of 80%, or when fresh air is inducted into the ceiling, an additional insulation is required (minimum 10 mm / 0.4in thickness, polyethylene foam).

#### 1) Select an installation site where the following conditions are fulfilled and that meets your customer's approval.

- Where optimum air distribution can be ensured.
- Where nothing blocks air passage.
- Where condensate water can be properly drained.
- Where the false ceiling is not noticeably on an incline.
- Where sufficient clearance for maintenance and service can be ensured.
- Where there is no risk of flammable gas leaking.
- The equipment is not intended for use in a potentially explosive atmosphere.
- Where piping between indoor and outdoor units is possible within the allowable limit. (Refer to the installation manual of the outdoor unit.)
- Keep indoor unit, outdoor unit, inter unit wiring and remote controller wiring at least 1 meter away from televisions and radios. This is to prevent image interference and noise in those electrical appliances. (Noise may be generated depending on the conditions under which the electric wave is generated, even if 1 meter is kept.)
- When installing the wireless remote controller kit, the distance between wireless remote controller and indoor unit might be shorter if there are fluorescent lights who are electrically started in the room. The indoor unit must be installed as far as possible away from fluorescent lights.

#### 2) Ceiling height

Install this unit where the height of bottom panel is more than 2.5m / 8.2ft so that the user cannot easily touch.

#### 3) Use installation hooks for installation. Check whether the ceiling is strong enough to support the weight of the indoor unit. If there is a risk, reinforce the ceiling before installing the unit.

Space required for installation see the figure below (↑ :air flow direction)

# INSTALLATION INSTRUCTIONS

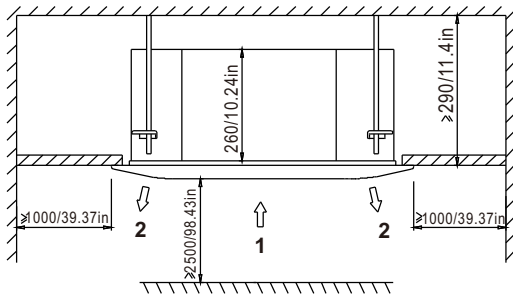
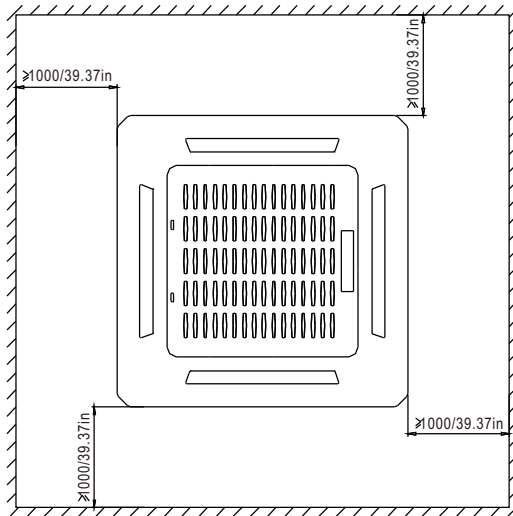


Fig.13



Unit: mm

- 1 Air inlet
- 2 Air outlet

Fig.14

## 2.2 Preparations before installation

### 1) Relation of ceiling opening to unit and installation hook position.

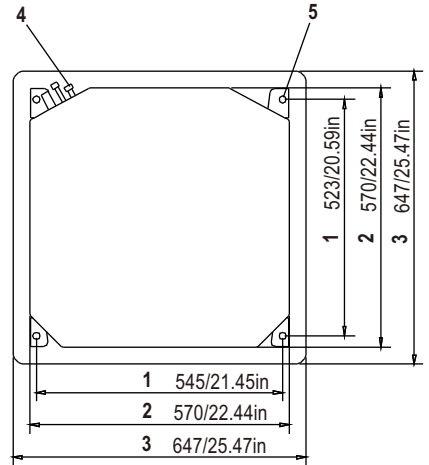
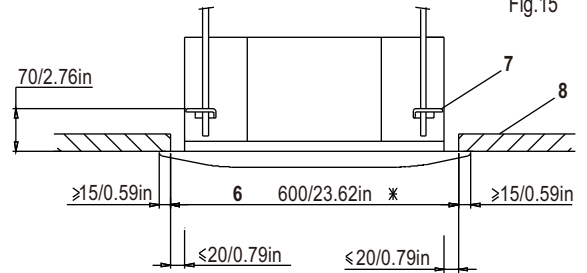


Fig.15



Unit: mm

Fig.16

- 1 Installation hook pitch dimensions
- 2 Indoor unit dimensions
- 3 decoration panel dimensions
- 4 Refrigerant piping
- 5 Installation hook (×4)
- 6 Ceiling opening dimensions
- 7 Hanger bracket
- 8 False ceiling

- Adjust the position to ensure the gaps between the indoor unit and the four sides of false ceiling are even. The indoor unit's lower part should sink into the false ceiling for 24mm/0.95in.

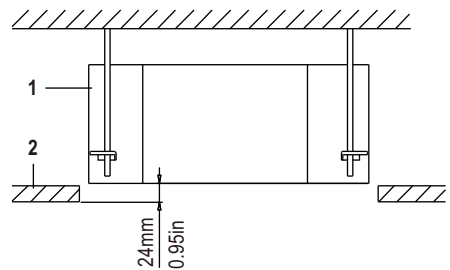


Fig.17

- 1 Indoor unit
- 2 False ceiling

# INSTALLATION INSTRUCTIONS

NOTE: Installation is possible with a ceiling dimension of 600 mm / 23.62in(marked with \* ). However, to achieve a ceiling-panel overlapping dimension of 15 mm / 0.59in, the spacing between the ceiling and the unit should be 20 mm / 0.79in or less.If the spacing between ceiling and the unit is over 20 mm / 0.79in, attach sealing material in the part or recover the ceiling.

## 2) Make the ceiling opening needed for installation where applicable. (For existing ceilings.)

- Create the ceiling opening required for installation. From the side of the opening to the casing outlet, implement the refrigerant and drain piping and wiring for remote controller (unnecessary for wireless type). Refer to each piping or wiring section.
- After making an opening in the ceiling, it may be necessary to reinforce ceiling beams to keep the ceiling level and to prevent it from vibrating. Consult the builder for details.

## 3) Install the installation hooks. (Use either a M8 or M10 size bolt. )

Use expansible hooks, sunken anchors or other field supplied parts to reinforce the ceiling in order to bear the weight of the unit. Adjust clearance from the ceiling before proceeding further. Installation example see figure below.

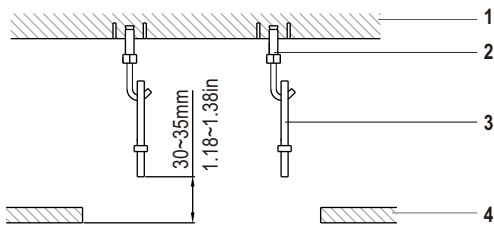


Fig.18

- 1 Ceiling slab
- 2 Expansible hook (optional)
- 3 Installation hook (optional)
- 4 False ceiling

## 2.3 Indoor unit installation

When installing optional accessories, read also the installation manual of the optional accessories. Depending on the field conditions, it may be easier to install optional accessories before the indoor unit is installed (except for the decoration panel).However, for existing ceiling, install fresh air inlet component kit and branch duct before installing the unit.

### 1) Install the indoor unit temporarily.

- Attach the hanger bracket to the suspension bolt. Be sure to fix it securely by using a nut and washer from the upper and lower sides of the hanger bracket.
- Securing the hanger bracket see figure below.

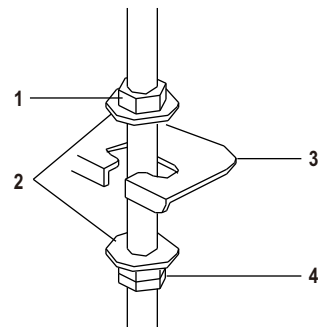


Fig.19

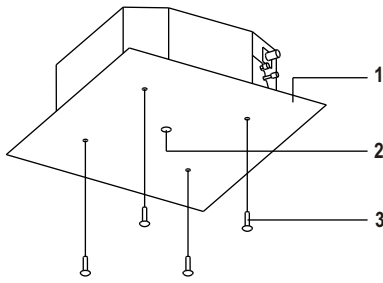
- 1 Nut (field supply)
- 2 Washer (field supply)
- 3 Hanger bracket
- 4 Double nuts (field supply, tighten)

### 2) Fix the paper pattern for installation. (For new ceilings only)

- The paper pattern for installation corresponds with the measurements of the ceiling opening. Consult the builder for details.
- The centre of the ceiling opening is indicated on the paper pattern for installation.
- After removing the packaging material from the paper patten for installation, attach the paper pattern for installation to the unit with the attached screws as shown in figure below.

NOTE ■ For other installation than standard installation, contact your dealer for details.

# INSTALLATION INSTRUCTIONS



- 1 Paper pattern for installation (on some models)
- 2 Center of the ceiling opening
- 3 Screws (supplied with the decoration panel)

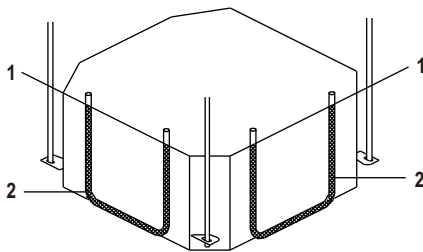
Fig.20

### 3) Adjust the unit to the right position for installation.

(Refer to the chapter "Preparations before installation" on page 10.)

### 4) Check if the unit is horizontally levelled.

- Do not install the unit tilted. The indoor unit is equipped with a built-in drain pump and float switch. (If the unit is tilted against the direction of the condensate flow (the drain piping side is raised), the float switch may malfunction and cause water to drip.)
- Check if the unit is levelled at all four corners with a water level or a water-filled vinyl tube as shown in figure below.



- 1 Water level
- 2 Vinyl tube

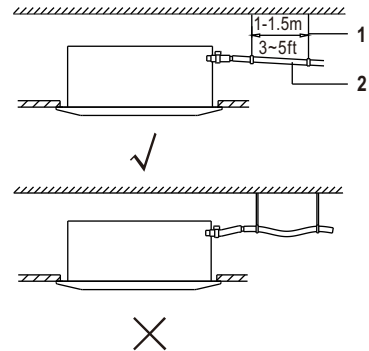
Fig.21

### 5) Remove the paper pattern for installation. (For new ceiling only).

## 2.4 DRAIN PIPING WORK

### Installation of drain piping

Install the drain piping as shown in figure below and take measures against condensation. Improperly rigged piping could lead to leaks and eventually wet furniture and belongings.

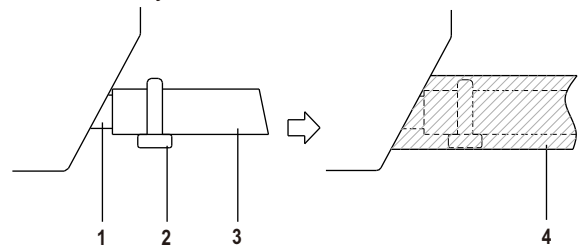


- 1 Hanging bar
- 2  $\geq 1/100$  gradient

Fig.22

### ■ Install the drain pipes.

- Keep piping as short as possible and slope it downwards at a gradient of at least 1/100 so that air may not remain trapped inside the pipe.
- Keep pipe size equal to or greater than that of the connecting pipe (PVC pipe, nominal diameter 20mm /0.79in in, outside diameter 25mm/0.98in).
- Push the drain hose as far as possible over the drain socket, and tighten the metal clamp securely.



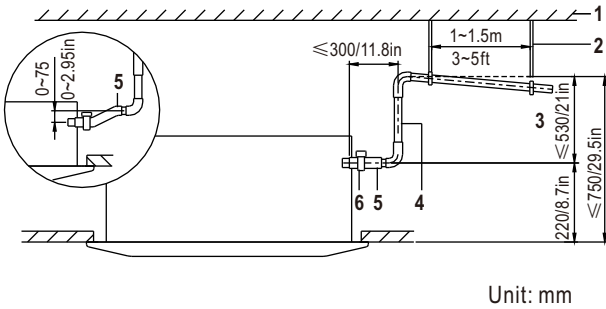
- 1 Drain socket (attached to the unit)
- 2 metal clamp
- 3 Drain hose
- 4 Insulation (field supply)

Fig.23

- Insulate the drain hose inside the building.
- If the drain hose cannot be sufficiently set on a slope, fit the hose with drain raising piping (field supply).
- Make sure that heat insulation work is executed on the following 2 spots to prevent any possible water leakage due to dew condensation.
  - 1 Indoor drain pipe.
  - 2 Drain socket.

# INSTALLATION INSTRUCTIONS

## How to perform piping



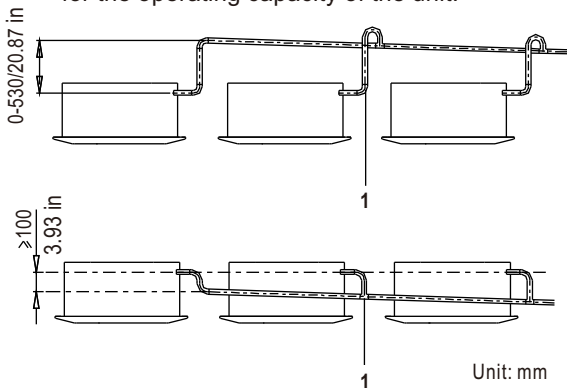
- 1 Ceiling slab
- 2 Hanger bracket
- 3 Adjustable range
- 4 Drain raising pipe
- 5 Drain hose
- 6 Metal clamp

Fig.24

- Connect the drain hose to the drain raising pipes, and insulate them.
- Connect the drain hose to the drain outlet on the indoor unit, and tighten it with the clamp.

### Precautions

- Install the drain raising pipes at a height of less than 530 mm/20.87in.
- Install the drain raising pipes at a right angle to the indoor unit and no more than 300 mm/11.8in from the unit.
- To prevent air bubbles, install the drain hose level or slightly tilted up (<75 mm/2.95in).
- The incline of drain hose should be 75 mm/2.95in or less so that the drain socket does not have to withstand additional force.
- To ensure a downward slope of 1:100, install hanging bars every 1m/3.28ft to 1.5 m/4.92ft.
- When unifying multiple drain pipes, install the pipes as shown in figure below. Select converging drain pipes whose gauge is suitable for the operating capacity of the unit.



Unit: mm

Fig.25

- 1 T-joint converging drain pipes

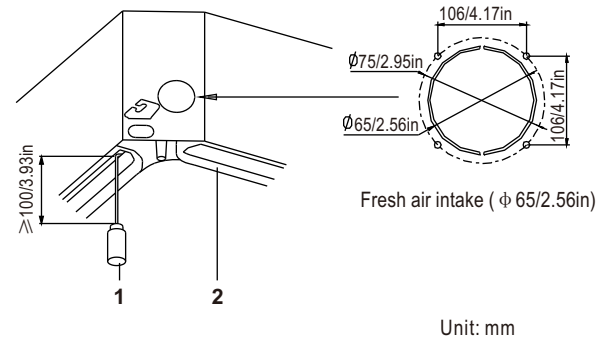


- Drain piping connections  
Do not connect the drain piping directly to sewage pipes that smell of ammonia. The ammonia in the sewage might enter the indoor unit through the drain pipes and corrode the heat exchanger.
- Keep in mind that it will become the cause of getting drain pipe blocked if water collects on drain pipe.

## Testing of drain piping

After the piping work is finished, check if drainage flows smoothly.

- 1 Add approximately 1L of water gradually through the air discharge outlet.  
Method of adding water (see the figure below)



Unit: mm

Fig.26

- 1 Plastic watering can (tube should be about 100 mm/3.93in long)
  - 2 Water-receiver
- 2 When electric wiring work is finished, check drainage flow during COOL running.

# INSTALLATION INSTRUCTIONS

## 2.5 INSTALLATION OF THE DECORATION PANEL

- Detach the intake grille.
  - Slide the 2 grille hooks toward the middle of the decoration panel.

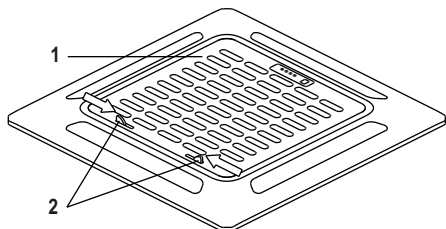


Fig.27

- 1 Intake grille
- 2 Grille hook

- Open the intake grille and remove.

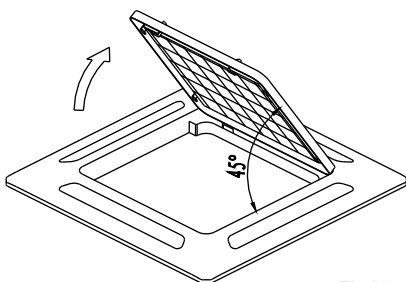


Fig.28

- **Install the decoration panel**

- Attach the decoration panel to the unit with the supplied screws as shown in figure below.

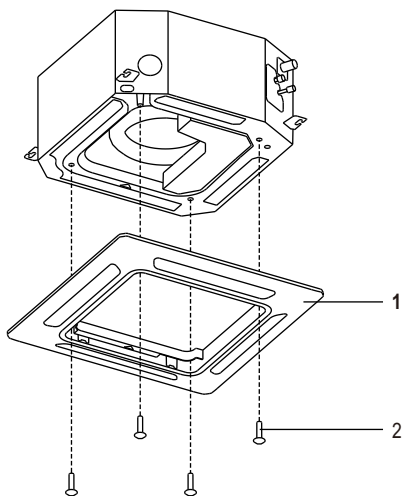


Fig.29

- 1 Decoration panel
- 2 Screws (M5)(supplied with the panel)

- After installing the decoration panel, ensure that there is no space between the unit body and decoration panel. Otherwise air may leak through the gap and cause dewdrop.

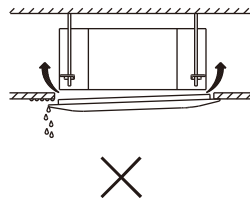


Fig.30

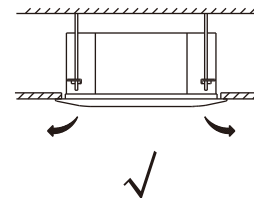


Fig.31

- **Mount the intake grille.**

Ensure that the buckles at the back of the grille be properly seated in the groove of the panel.

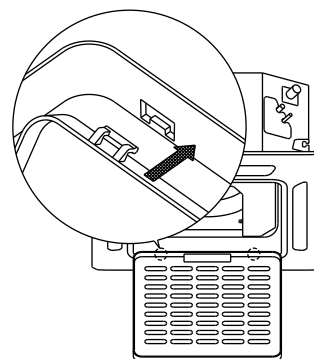


Fig.32

- **Close the intake grille, and close the 2 grille hooks.**

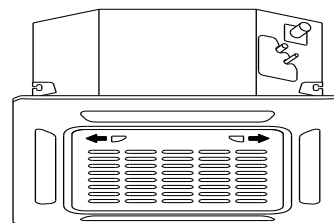



Fig.33

## 3. Duct & Ceiling type

### Installation precautions

1. Determine the moving route.
2. Move the unit in original state.
3. Make sure to do electric insulation according to relevant electric standard in case the unit is installed on metal part of building.
4. Please keep away from the following places, or malfunction may be caused. (if unavoidable, please consult the professionals):
  - A. There is mineral oil like the oil of cutting machine.
  - B. There is much salty air. (Near the coast)
  - C. There is caustic gas such as sulfuric gas. (Near the hot spring.)
  - D. Factory where the voltage fluctuate greatly.
  - E. In the car or in the cabin.
  - F. In the kitchen or a place full of oil steam..
  - G. There is strong electromagnetic wave.
  - H. There is combustible gas or materials.
  - I. There is much evaporating acid or alkaline gas.
  - J. Other special areas.

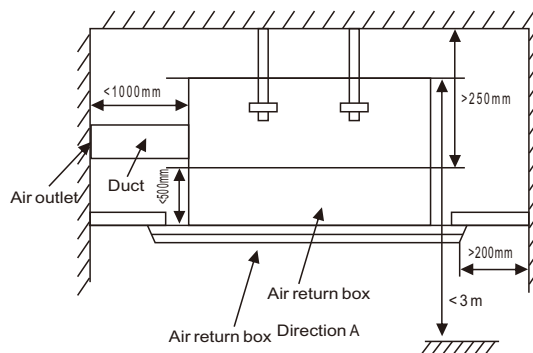
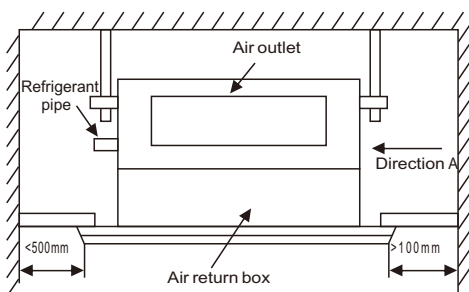
### Accessories

NO	Name	Qty.	Outline	Function
1	Insulation pipe	2		Pipe joint heat insulation
2	Remote controller	1	—	Remote control air conditioner
3	Big washer	8	—	Overhang indoor unit
4	Constriction bandage	10	—	Binding insulation pipe
5	Water outlet joint (for cool/heat type only)	1	—	Outdoor unit drainage
6	Gasket (for cool/heat type only)	1	—	Outdoor unit drainage
7	Copper nut	2	—	Connecting pipe
8	Drain hose	1	—	Indoor unit drainage
9	7# Alkaline battery	1	—	—
10	Remote signal receiver subassembly	1	—	—
11	Magnetic ring	1	—	—

## Indoor unit installation

### ◆ Installation location

- Enough room for installation and maintenance.



- The ceiling is horizontal and it can afford the weight of the indoor unit.
- The air inlet and outlet are not impeded and does not affected by outdoor air too much.
- The air flow can reach every part of the room.
- The connecting pipe and drainpipe can be easily extracted out.
- There is no direct radiation from heat source.



# INSTALLATION INSTRUCTIONS

## ◆ Installation of unit

### Install $\phi 10$ (4 pieces) hanging screw bolt

- Determine the location of hanging screw bolt following Fig.40.
- Make sure to use the hanging screw bolt of  $\phi 10$ .
- The treatment to the ceiling varies from construction; please consult the professionals for details.
  - 1) Treatment to ceiling---make sure to consolidate the roof beam for possible vibration to keep the ceiling horizontal.
  - 2) Please cut off the roof beam.
  - 3) Reinforce the place that is cut off and consolidate the roof beam.
- Carry out connection of piping and wiring inside the ceiling.
- Determine the piping direction. Especially in the case of existing ceiling, please pull the wire to the connection place before overhanging the unit.

Install the hanging bolt in following different situation:

#### Wooden structure

Put a timber across the beams and install the bolts.

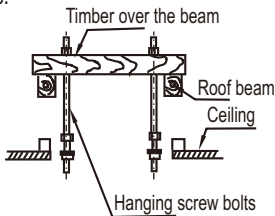


Fig.34

#### Original concrete bricks

Install the hanging hook with expansible bolt into the concrete.

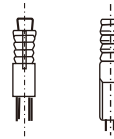


Fig.35

#### New concrete bricks

Install with insertion or embedding screw.

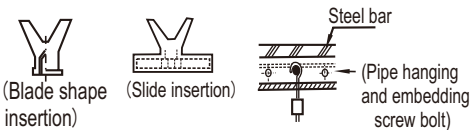


Fig.36

#### Steel roof beam structure

Install the supporting angle steel.

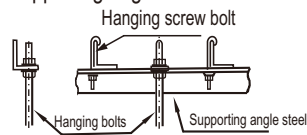


Fig.37

#### Overhang the unit

- Install the hanging screw bolt to the U-shaped slot of installation ear. Overhang the indoor unit and measure the level degree of unit with a gradienter.
- Fasten and fix the upside nut.

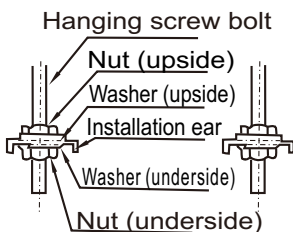
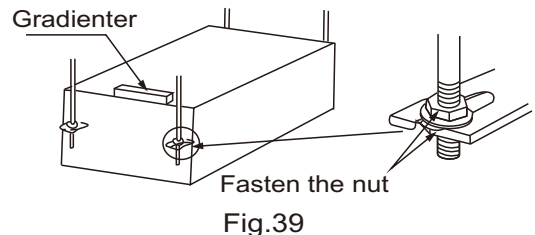


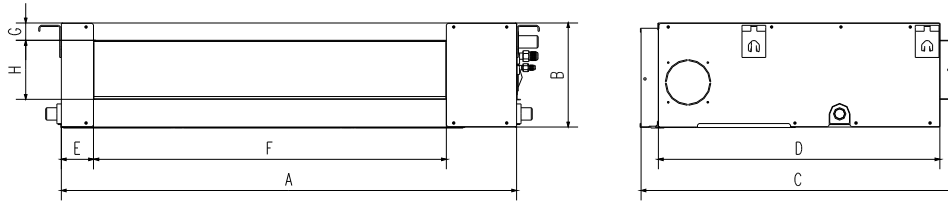
Fig.38



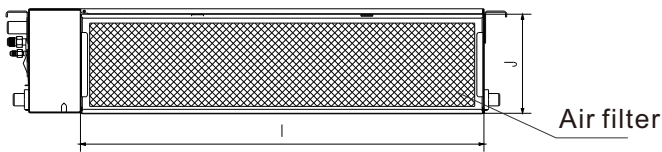
## The position of hanging bolts

Dimension and air outlet size

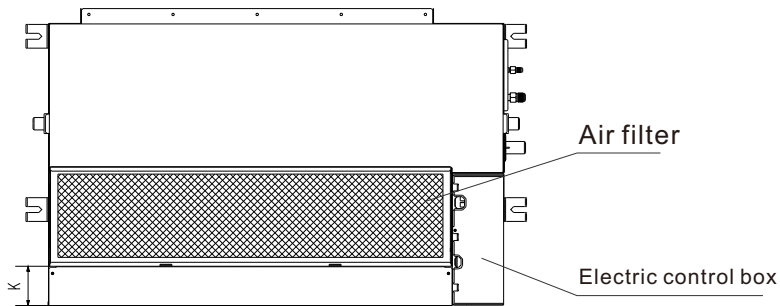
Unit: mm



Air inlet size



Position size of descensional ventilation opening



Size of mounted hook

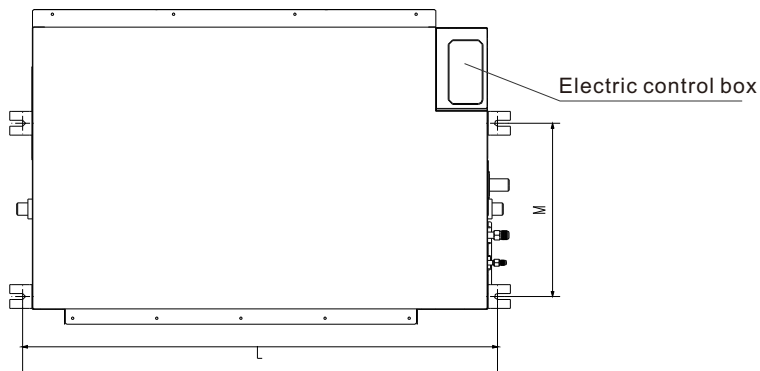


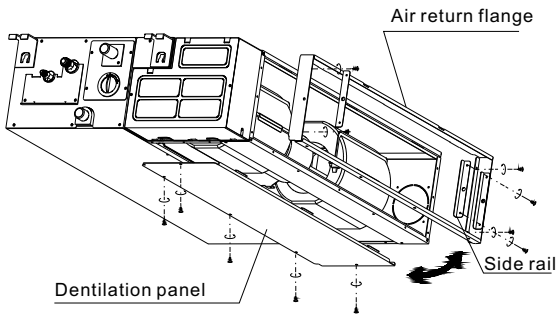
Fig.40

# INSTALLATION INSTRUCTIONS

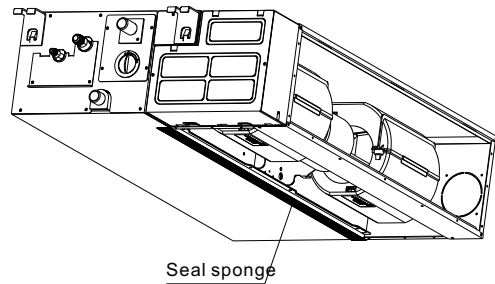
	Outline dimension				Air outlet opening size				Air return opening size			Size of mounted lug	
	A	B	C	D	E	F	G	H	I	J	K	L	M
≤12000Btu/h	700	210	635	570	65	493	35	119	595	200	80	740	350
18000Btu/h	920	210	635	570	65	713	35	119	815	200	80	960	350
≥24000Btu/h	920	270	635	570	65	713	35	179	815	260	20	960	350

## How to adjust the air inlet direction?(From rear side to under-side.)

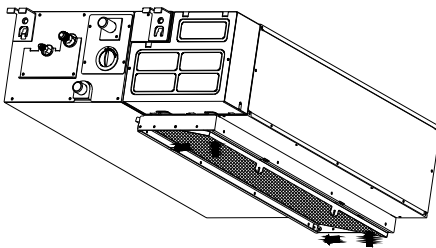
1. Take off ventilation panel and flange, cut off the staples at side rail.



2. Stick the attached seal sponge as per the indicating place in the following fig, and then change the mounting positions of air return panel and air return flange .



3. When install the filter mesh, please plug it into flange inclined from air return opening, and then push up.



4. The installation has finish, upon filter mesh which fixing blocks have been insert to the flange positional holes.

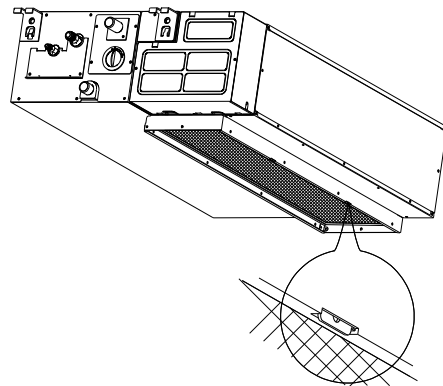


Fig.41

## NOTE

All the figures in this manual are for explanation purpose only. They may be slightly different from the air conditioner you purchased. The actual unit shall prevail.

# INSTALLATION INSTRUCTIONS

## Drainpipe installation

### 1. Indoor unit drainpipe installation

Piping, insulation material

<b>Piping</b>	<b>Hard PVC pipe</b>
Insulation material	Cellular polyethylene, thicker than 6mm

### Drainage

See Fig.42

### Heat insulation

- Please do heat insulation on piping joint.
- Bind the contact insulation part between the unit and installation location with bandage.

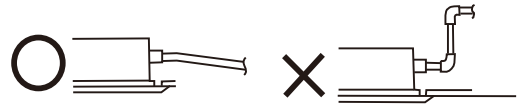


Fig.42

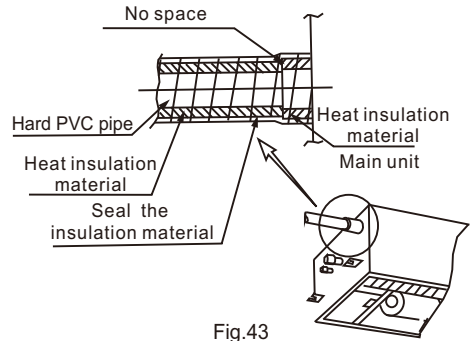


Fig.43

# INSTALLATION INSTRUCTIONS

## CAUTION

- The drain pipe as well as the connection part of indoor unit must be heat insulated, or condensate will occur.
- Please connect the pipe with horny PVC bond and make sure there is no leakage.
- Do not impose the pressure on connecting part of drainpipe.
- The gradient downwards of drain pipe should be over 1/100, and do not bend the drain pipe.
- Pull the drain pipe transversely within 20m. Please install a supporter in case the drainpipe is very long to prevent it from bending.
- Refer to the figures on the right for the installation of pipes.

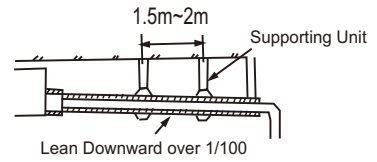


Fig.44

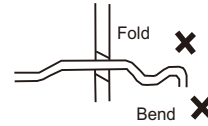


Fig.45

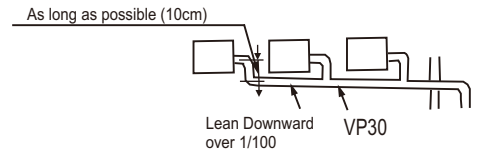







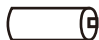


Fig.46

## 4. Ceiling and Floor type

### 4.1 Accessories

Name of Accessories	Q'ty	Outline	Usage
Owner's manual	1		_____
Installation manual	1	(This manual)	_____
Hook	2		For wall mounting installation
Hanging arm	2		For ceiling installation
Magnetic ring	1		For wire connection

Remote Controller & Its Frame (on some models)	
1. Remote controller.....	1
	
2. Frame.....	1
	
3. Mounting screw (ST2.9x10-C-H).....	2
	
4. Alkaline dry batteries(AM4) .....	2
	

### Cautions on remote controller installation

- Never throw or beat the controller.
- Before installation, operate the remote controller to determine its location in a reception range.
- Keep the remote controller at least 1m apart from the nearest TV set or stereo equipment. (It is necessary to prevent image disturbances or noise interferences.)
- Do not install the remote controller in a place exposed to direct sunlight or close to a heating source, such as a stove.  
Note that the positive and negative poles are in right positions when loading batteries.

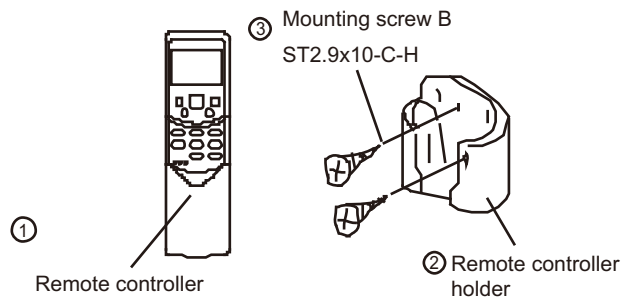


Fig.49-1

# INSTALLATION INSTRUCTIONS

## 4.2 Indoor unit installation

### 1. Installing $\phi 10$ hanging screw bolts (4 bolts).

- Please refer to the following figure for the distance measurement between the screw bolts.
- Please install with  $\phi 10$  hanging screw bolts.
- The handling to the ceiling varies from the constructions, consult the construction personnels for the specific procedures.
  - The size of the ceiling to be handled----do keep the ceiling flat. Consolidate the roof beam for possible vibration.
  - Cut off the roof beam.
  - Strengthen the place cut off, and consolidate the roof beam.
- Carry out the pipe and line operation in the ceiling after finishing the installation of the mainbody. While choosing where to start the operation, determine the direction of the pipes to be drawn out. Especially in case there is a ceiling, position the refrigerant pipes, drain pipes, indoor & outdoor lines to the connection places before hanging up the machine.
- The installation of hanging screw bolts.

### 2. Wooden construction

Put the square timber transversely over the roof beam, then install the hanging screw bolts. (Refer to Fig.49-2)

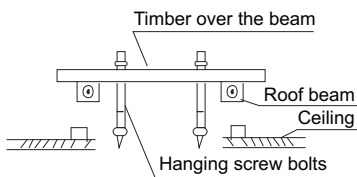


Fig.49-2

### 3. New concrete bricks

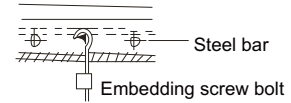
Inlaying or embedding the screw bolts. (Refer to Fig.49-3)



Fig.49-3

### 4. For original concrete bricks

Use embedding screw bold, crock and stick harness (Refer to Fig.49-4).



(Pipe hanging and embedding screw bolt)

Fig.49-4

### 5. Steel roof beam structure

Install and use directly the supporting angle steel. (Refer to Fig.49-5)

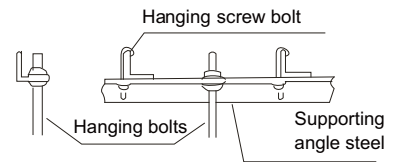


Fig.49-5

## 4.3 Wall Mounting Installation

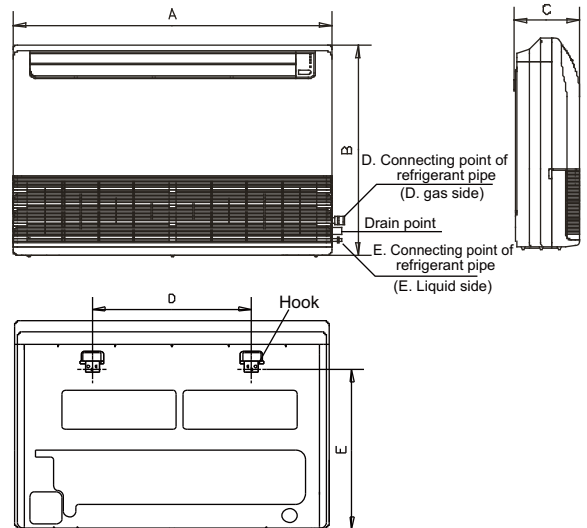


Fig.49-6

# INSTALLATION INSTRUCTIONS

1. Fix the hook with tapping screw onto the wall. (Refer to Fig.49-7)
2. Hang the indoor unit on the hook.

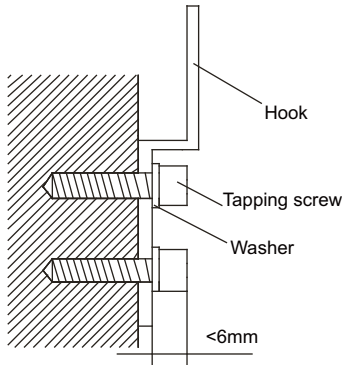


Fig.49-7

2. Location the hanging arm on the hanging screw bolt. (Refer to Fig.49-10)  
Prepare the mounting bolts on the unit. (Refer to Fig.49-11)

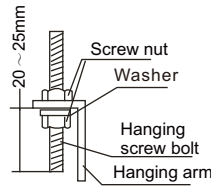


Fig.49-10

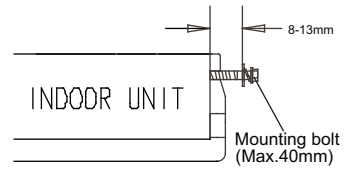


Fig.49-11

3. Hang the unit on the hanging arm by sliding backward. Securely tighten the mounting bolts on both sides. (Refer to Fig.49-12)

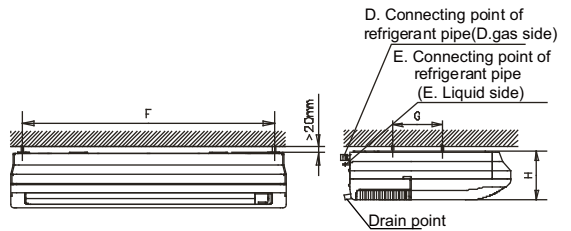
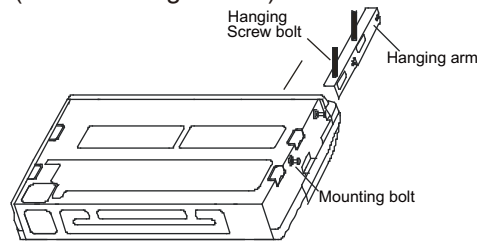


Fig.49-12

## 4.4 Ceiling Installation

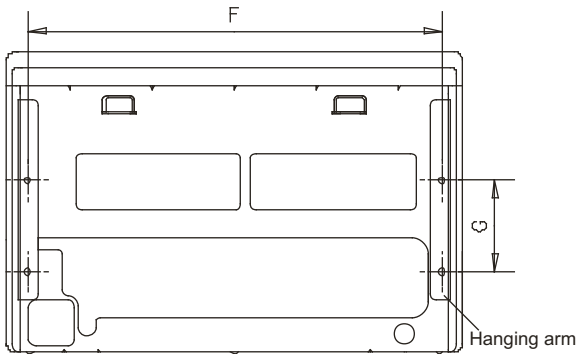


Fig.49-8

1. Remove the side board and the grille. (Refer to Fig.49-9) (For 48000Btu/h and 60000Btu/h models, do not remove the grille.)

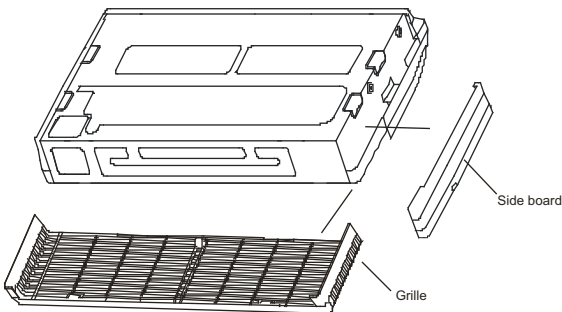


Fig.49-9

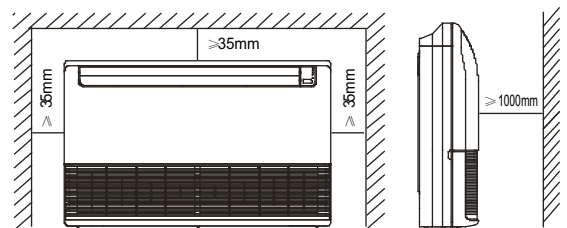


Fig.49-13

### ⚠ CAUTION

The figures above are based on model with 18000Btu/h as rated capacity, which may differ from the unit you purchased.



# INSTALLATION INSTRUCTIONS

## 4.5 The Dimension of the Unit

Unit:mm







Capacity	A	B	C	D	E	F	G	H
12-18	990	660	206	505	506	907	200	203

Note: The dimension of 12000Btu/h and 18000Btu/h are the same.

## 5. Floor and Standing Type (Console)

### 5.1 Accessories(Console)

Please check whether the following fittings are of full scope. If there are some spare fittings, please restore them carefully.

	NAME	SHAPE	QUANTITY
Installation fittings	1. Hook		2
	2. Magnetic ring		1
Remote controller & Its Frame (on some models)	3. Remote controller		1
	4. Frame		1
	5. Mounting screw (ST2.9 10-C-H)		2
	6. Alkaline dry batteries (AM4)		2
Others	7. Owner's manual	_____	1
	8. Installation manual	_____	1

### Cautions on remote controller installation:

- Never throw or beat the controller.
- Before installation, operate the remote controller to determine its location in a reception range.
- Keep the remote controller at least 1m apart from the nearest TV set or stereo equipment. (it is necessary to prevent image disturbances or noise interferences.)
- Do not install the remote controller in a place exposed to direct sunlight or close to a heating source, such as a stove.
- Note that the positive and negative poles are right positions when loading batteries.

- This manual is subject to changes due to technological improvement without further notices.

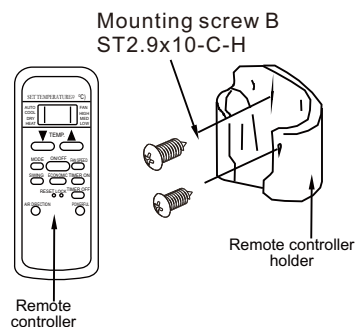




Fig.50-1

### 5.2 Inspecting and Handling the unit(Console)

At delivery, the package should be checked and any damage should be reported immediately to the service agent. When handling the unit, take into account the following:

1.  Fragile, handle the unit with care.
2.  Keep the unit upright in order to avoid compressor damage.
3. Choose on before hand the path along which the unit is to be brought in.
4. Move this unit as originally package as possible.
5. When lifting the unit , always use protectors to prevent belt damage and pay attention to the position of the unit's centre of gravity.

### 5.3 Indoor Unit Installation(Console)

#### 5.3.1 Installation place

The indoor unit should be installed in a location that meets the following requirements:

- There is enough room for installation and maintenance. (Refer to Fig.50-2 & Fig.50-3)
- The outlet and the inlet are not impeded, and the influence of external air is the least.
- The air flow can reach throughout the room.
- The connecting pipe and drainpipe could be extracted out easily.
- There is no direct radiation from heaters.

# INSTALLATION INSTRUCTIONS

## ⚠ CAUTION

Keep indoor unit, outdoor unit, power supply wiring and transmission wiring at least 1 meter away from televisions and radios. This is to prevent image interference and noise in those electrical appliances. (Noise may be generated depending on the conditions under which the electric wave is generated, even if 1 meter is kept.)

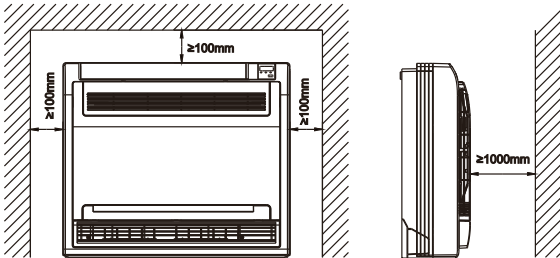


Fig.50-2

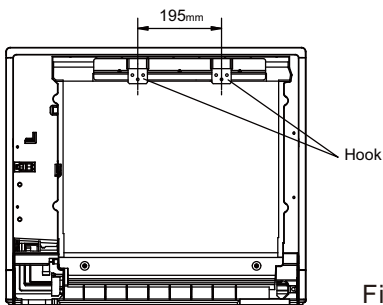
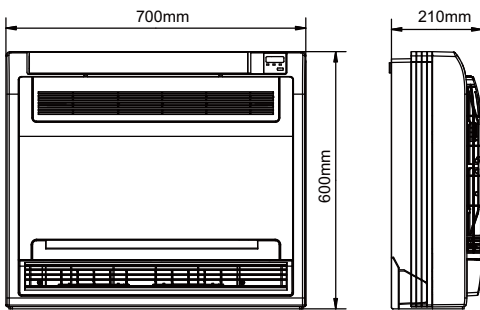


Fig.50-3

### 5.3.2 Install the main body

- Fix the hook with tapping screw onto the wall. (Refer to Fig.50-4)

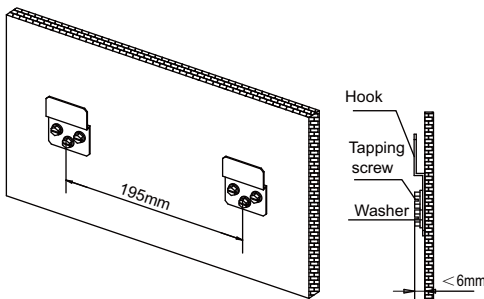


Fig.50-4

- Hang the indoor unit on the hook. (The bottom of body can touch with floor or suspended, but the body must install vertically.)

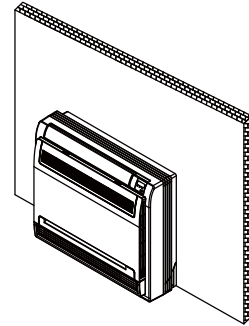


Fig.50-5

## 5.4 Install the connecting pipe (Console)

Check whether the height drop between the indoor unit and outdoor unit, the length of refrigerant pipe, and the number of the bends meet the following requirements:

Capacity(KBtu/h)	7/9/12	18/20/26/32/53
The max height drop	5m	10m
The length of refrigerant pipe	Less than 10m	Less than 20m
The number of bends	Less than 5m	Less than 5

### 5.4.1 The procedure of connecting pipes:

#### ⚠ CAUTION

- All field piping must be provided by a licensed refrigeration technician and must comply with the relevant local and national codes.
- Do not let air, dust, or other impurities fall in the pipe system during the time of installation.
- The connecting pipe should not be installed until the indoor and outdoor units have been fixed already.
- Keep the connecting pipe dry, and do not let moisture in during installation.
- Execute heat insulation work completely on both sides of the gas piping and the liquid piping. Otherwise, this can sometimes result in water leakage.

## INSTALLATION INSTRUCTIONS

1. Drill a hole in the wall (suitable just for the size of the wall conduit), then set on the fittings such as the wall conduit and its cover.
2. Bind the connecting pipe and the cables together tightly with binding tapes. Pass the bound connecting pipe through the wall conduit from outside. Be careful of the pipe allocation to do on damage to the tubing.
3. Connect the pipes. Refer to "How to Connect the pipes" for details.
4. Expel the air with a vacuum pump. Refer to "How to expel the air with a vacuum pump" for details.
5. open the stop valves of the outdoor unit to make the refrigerant pipe connecting the indoor unit with the outdoor unit in fluent flow.
6. Check the leakage. Check all the joints with the leak detector or soap water.
7. Cover the joints of the connecting pipe with the soundproof / insulating sheath (fittings), and bind it well with the tapes to prevent leakage.

### **⚠ CAUTION**

Be sure to with insulating materials cover all the exposed parts of the flare pipe joints and refrigerant pipe on the liquid-side and the gas-side. Ensure that there is no gap between them. Incomplete insulation may cause water condensation.

### How to take indoor unit apart to connect the pipes

#### 1. Open the front panel

- Slide the two stoppers on the left and right sides inward until they click. See Fig.50-6.

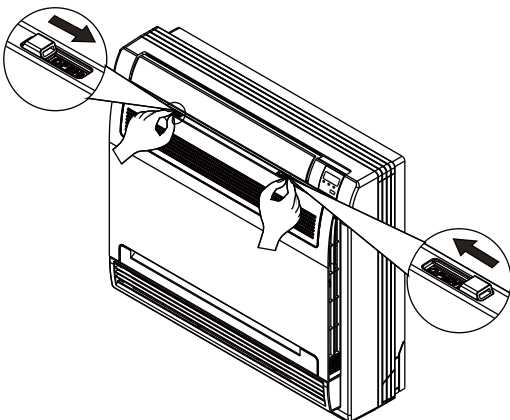


Fig.50-6

#### 2. Remove the front panel

- Remove the string. (Refer to Fig.50-7).
- Allowing the front panel to fall forward will enable you to remove it.

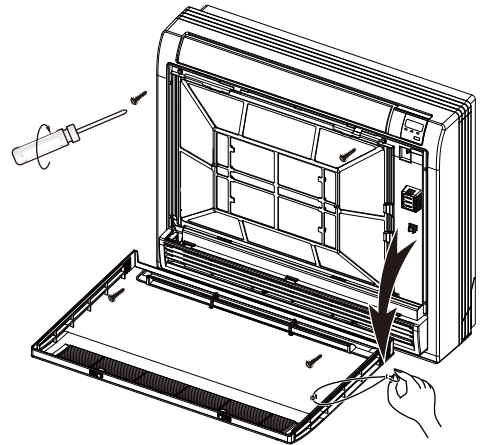


Fig.50-7

#### 3. Remove the face plate

- Remove the four screws. (Refer to Fig.50-7).
- Opening bottom of face plate for a angle that is 30 degrees, then the top of face plate will be take up. (Refer to Fig.50-8)

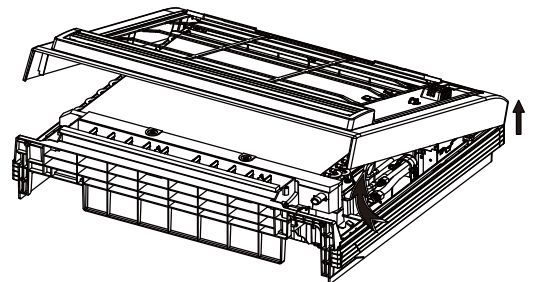


Fig.50-8

#### 5.5 Connect the drain pipe(Console)

##### ■ Install the drain pipe of the indoor unit

The outlet has PTI screw bread, Please use sealing materials and pipe sheath(fitting) when connecting PVC pipes.

### **⚠ CAUTION**

- The drain pipe of indoor unit must be heat insulated, or it will condense dew, as well as the connections of the indoor unit.
- Hard PVC binder must be used for pipe connection, and make sure there is no leakage.
- With the connection part to the indoor unit, please be noted not to impose pressure on the side of indoor unit pipes.

# INSTALLATION INSTRUCTIONS

- When the declivity of the drain pipe downwards is over 1/100, there should not be any winding.
- The total length of the drain pipe when pulled out transversely shall not exceed 20m, when the pipe is over long, a prop stand must be installed to prevent winding.
- Refer to the figures on the right for the installation of the pipes.

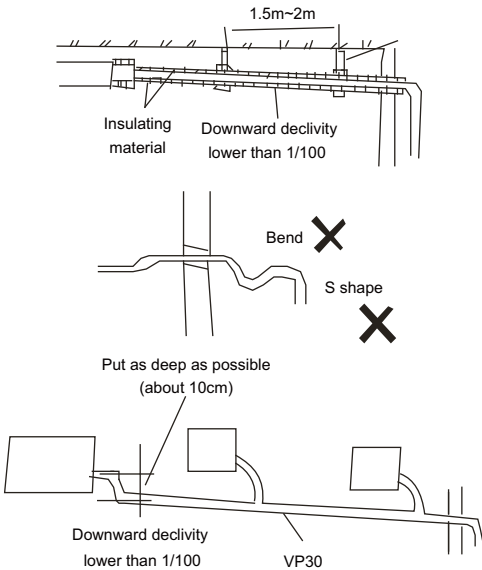


Fig. 50-9

## ■ Drainage test

- Check whether the drain pipe is unhindered.
- New built house should have this test done before paving the ceiling.

## 5.6 Wiring(Console)

### ⚠ CAUTION

- The appliance shall be installed in accordance with national wiring regulations.
- The air conditioner should use separate power supply with rated voltage.
- The external power supply to the air conditioner should have ground wiring, which is linked to the ground wiring of the indoor and outdoor unit.
- The wiring work should be done by qualified persons according to circuit drawing.
- An all-pole disconnection device which has at least 3mm separation distance in all pole and a residual current device(RCD)with the rating of above 10mA shall be incorporated in the fixed wiring according to the national rule.

- Be sure to locate the power wiring and the signal wiring well to avoid cross-disturbance.
- Do not turn on the power until you have checked carefully after wiring.

### 5.6.1 Connect the cable

- The installation bearer of sensing device rotated to another side, and then takes off cover of electrical box. (Take off the electrical box if the capacity is 18000btu/h as well as using network function.) (Refer to Fig.50-10)

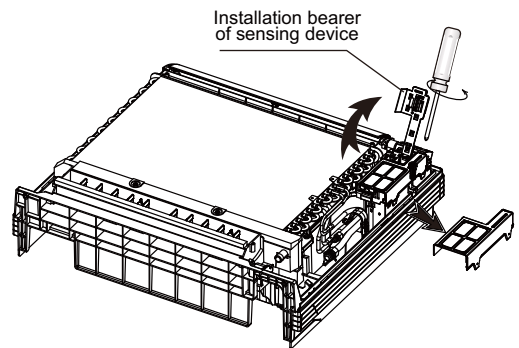


Fig.50-10

### NOTE:

All the pictures in this manual are for explanation purpose only. They may be slightly different from the air conditioner you purchased(depend on model). The actual shape shall prevail.

# INSTALLATION INSTRUCTIONS

## Outdoor unit installation

### Outdoor installation precaution

- Install the outdoor unit on a rigid base to prevent increasing noise level and vibration.
- Determine the air outlet direction where the discharged air is not blocked. In the case that the installation place is exposed to strong wind such as a seaside, make sure the fan operating properly by putting the unit lengthwise along the wall or using a dust or shield plates.
- Specially in windy area, install the unit to prevent the admission of wind. If need suspending installation, the installation bracket should accord with technique requirement in the installation bracket diagram.
- The installation wall should be solid brick, concrete or the same intensity construction, or actions to reinforce, damping supporting should be taken. The connection between bracket and wall, bracket and the air conditioner should be firm, stable and reliable.
- Be sure there is no obstacle which block radiating air.

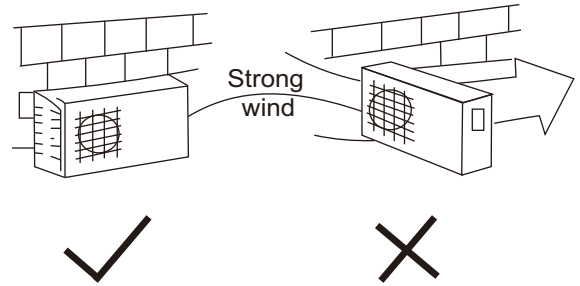


Fig.51

### Settlement of outdoor unit

- Anchor the outdoor unit with a bolt and nut  $\phi 10$  or  $\phi 8$  tightly and horizontally on a concrete or rigid mount.

Outdoor unit dimension mm(L1xHxW1)	Mounting dimensions	
	L2(mm)	W2(mm)
760x590x285	530	290
810x558x310	549	325
845x700x320	560	335
900x860x315	590	333
938x1369x392	634	404
945x810x395	640	405
990x965x345	624	366
800x554x333	514	340
845x700x340	540	350
946x810x420	673	403
950x1333x410	634	404

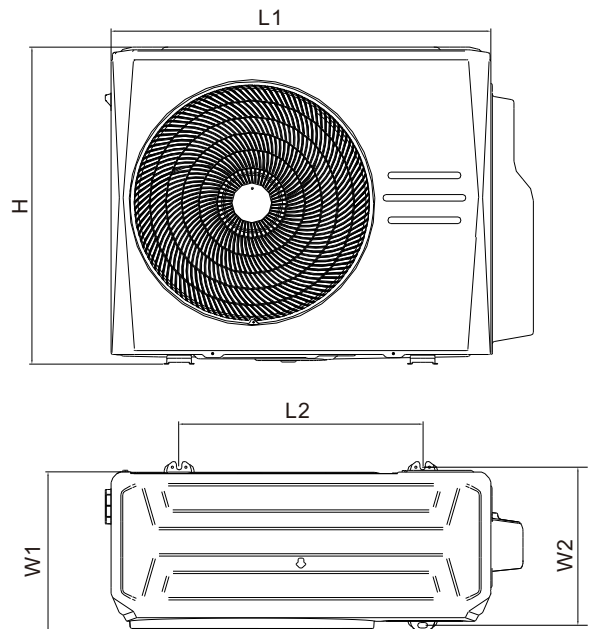


Fig.52

## Drain joint installation

**NOTE:** The drain joint differ from appliance to appliance.

Fit the seal into the drain joint, then insert the drain joint into the base pan hole of outdoor unit, rotate 90° to securely assemble them.

Connecting the drain joint with an extension drain hose (Locally purchased), in case of the water draining off the outdoor unit during the heating mode.

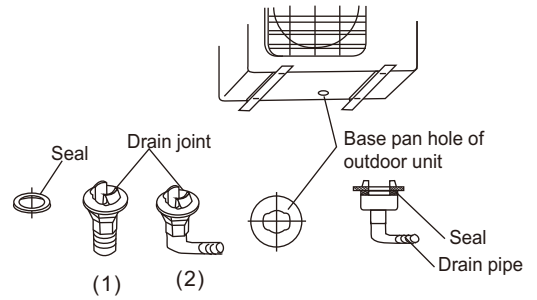


Fig.53

## Refrigerant pipe connection

### 1. Flaring work

Main cause for refrigerant leakage is due to defect in the flaring work.

Carry out correct flaring work using the following procedure:

#### A: Cut the pipes and the cable.

1. Use the piping kit accessory or pipes purchased locally.
2. Measure the distance between the indoor and the outdoor unit.
3. Cut the pipes a little longer than the measured distance.
4. Cut the cable 1.5m longer than the pipe length.

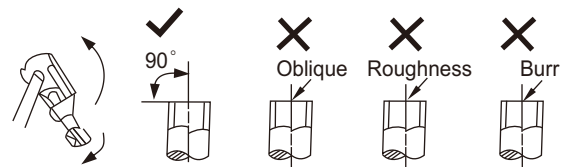


Fig.54

#### B: Burr removal

1. Completely remove all burrs from the cut cross section of pipe/tube.
2. Put the end of the copper tube/pipe in a downward direction as you remove burrs in order to avoid dropping burrs into the tubing.

#### C: Putting nut on

Remove flare nuts attached to indoor and outdoor unit, then put them on pipe/tube having completed burr removal. (not possible to put them on after flaring work)

#### D: Flaring work

Firmly hold copper pipe in a die in the dimension shown in the table below.

Outer diam. (mm)	A(mm)	
	Max.	Min.
φ 6.35	1.3	0.7
φ 9.52	1.6	1.0
φ 12.7	1.8	1.0

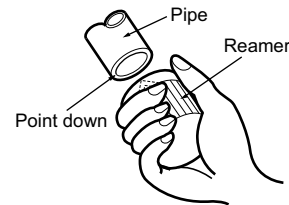


Fig.55

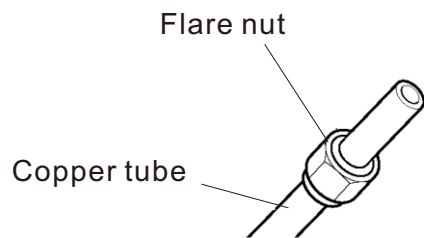


Fig.56

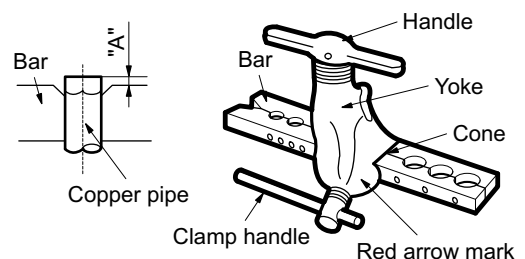


Fig.57

# ELECTRICAL WORK

## Tightening Connection

- Align the center of the pipes.
- Sufficiently tighten the flare nut with fingers, and then tighten it with a spanner and torque wrench as shown in Fig.58 & 59

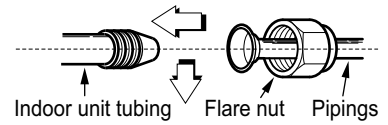


Fig.58

Outer diam.	Tightening torque(N.cm)	Additional tightening torque(N.cm)
φ 6.35	1500 (153kgf.cm)	1600 (163kgf.cm)
φ 9.52	2500 (255kgf.cm)	2600 (265kgf.cm)
φ 12.7	3500 (357kgf.cm)	3600 (367kgf.cm)

## Caution

- Excessive torque can break nut depending on installation conditions.

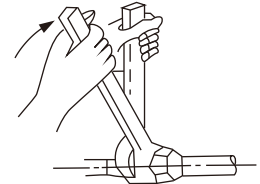


Fig.59

## When select a 24K indoor unit

The 24K indoor unit can only be connected with A system, if there are two 24K indoor units, they can be connected with A and B system.(Fig.60)

Connective pipe size of A and B system:

Unit:in

Indoor unit capacity	Liquid	Gas
7K/9K/12K	1 / 4	3 / 8
18K	1 / 4	1 / 2
24K	1 / 4	5 / 8

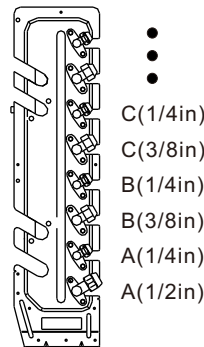


Fig.60

## Electrical work

Electric safety regulations for the initial Installation

1. If there is serious safety problem about the power supply, the technicians should refuse to install the air conditioner and explain to the client until the problem is solved.
2. Power voltage should be in the range of 90%~110%of rated voltage.
3. The creepage protector and main power switch with a 1.5 times capacity of Max. Current of the unit should be installed in power circuit.
4. Ensure the air conditioner is grounded well.
5. According to the attached Electrical Connection Diagram located on the panel of the outdoor unit to connect the wire.
6. All wiring must comply with local and national electrical codes and be installed by qualified and skilled electricians.
7. An individual branch circuit and single receptacle used only for this air conditioner must be available.



## Wiring connection

**NOTE:** Before performing any electrical work, turn off the main power to the system.



### CAUTIONS

- Do not touch the capacitor even if you have disconnected the power for there is still high voltage power on it, or electric shock hazard may occur. For your safety, you should start repairing at least 5 minutes later after the power is disconnected.
- The power is supplied from the Outdoor Unit. The Indoor Units are connected with signal wires or power cords are connected reliably and correctly, or the air conditioner could not run normally.

### NOTE:

The cable size and the current of the fuse or switch are determined by the maximum current indicated on the nameplate which is located on the side panel of the unit. Please refer to the nameplate before selecting the cable, fuse and switch. Please refer to the above tables and choosing the proper wire size under the local electrical requirements.

### Connect the cable to the outdoor unit

- Remove the electrical control board cover from the outdoor unit by loosening the screw as shown in Fig.61
- Connect the connective cables to the terminals as identified with their respective matched numbers on the terminal block of indoor and outdoor units.
- Secure the cable onto the control board with the cord clamp.
- To prevent the ingress of water, form a loop of the connective cable as illustrated in the installation diagram of indoor and outdoor units.
- Insulate unused cords (conductors) with PVC-tape. Process them so they do not touch any electrical or metal parts.



### CAUTIONS

Make sure to connect the indoor unit (A, B, C, D, E) to the Hi and Lo valve and terminals of signal wires (A, B, C, D, E) of outdoor unit as identified with their respective matched connection. Wrong wiring connections may cause some electrical parts to malfunction.

### Minimum nominal cross-sectional area of conductors:

Rated current of appliance (A)	Nominal cross-sectional area (mm <sup>2</sup> )
>3 and ≤6	0.75
>6 and ≤10	1
>10 and ≤16	1.5
>16 and ≤25	2.5

### Suggest Minimum Wire Size (AWG: American Wire Gauge):

Appliance Amps	AWG Wire Size
10	18
13	16
18	14
25	12
30	10

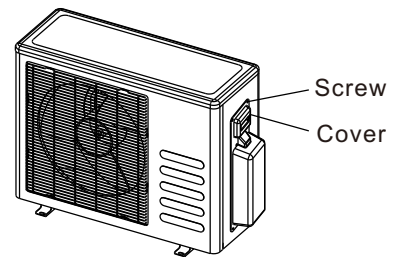


Fig.61

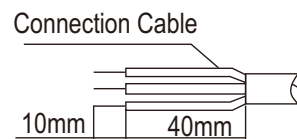
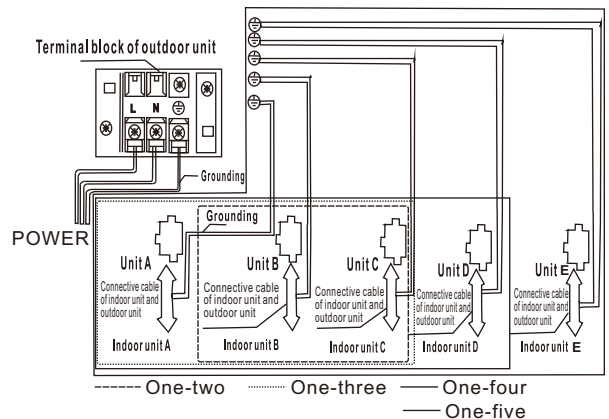


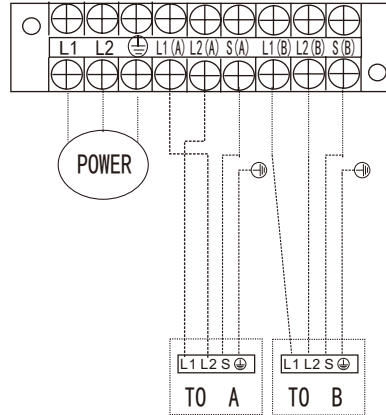
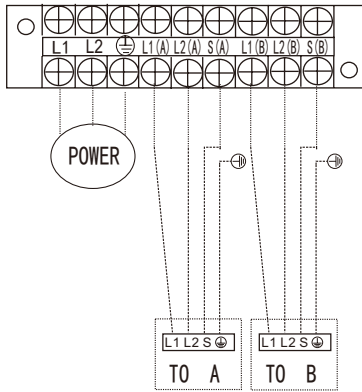
Fig.62





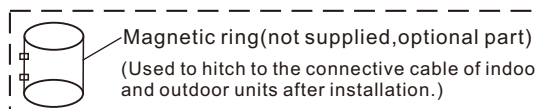
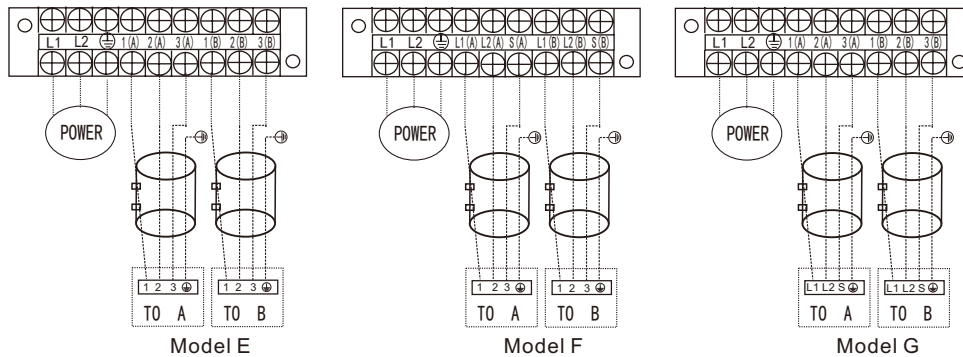
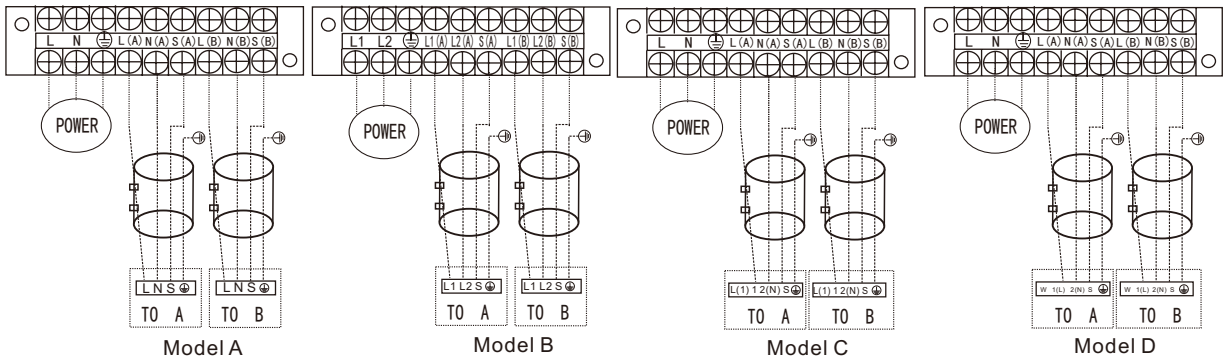
# ELECTRICAL WORK

**IMPORTANT:** Connect the connective cables to the terminals as identified with their respective matched numbers on the terminal block of indoor and outdoor units. For example, see the following US models: Terminal L1(A) of outdoor must connect with terminal L1 on the indoor unit.



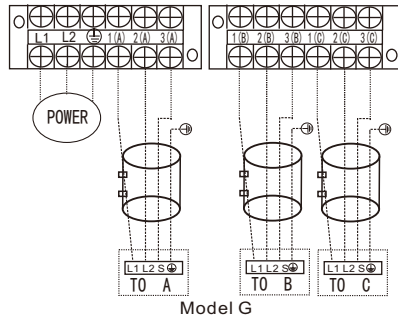
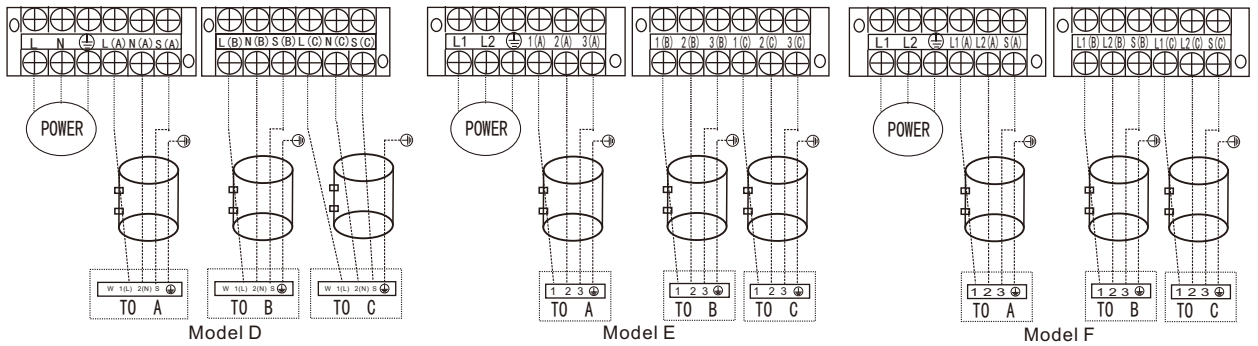
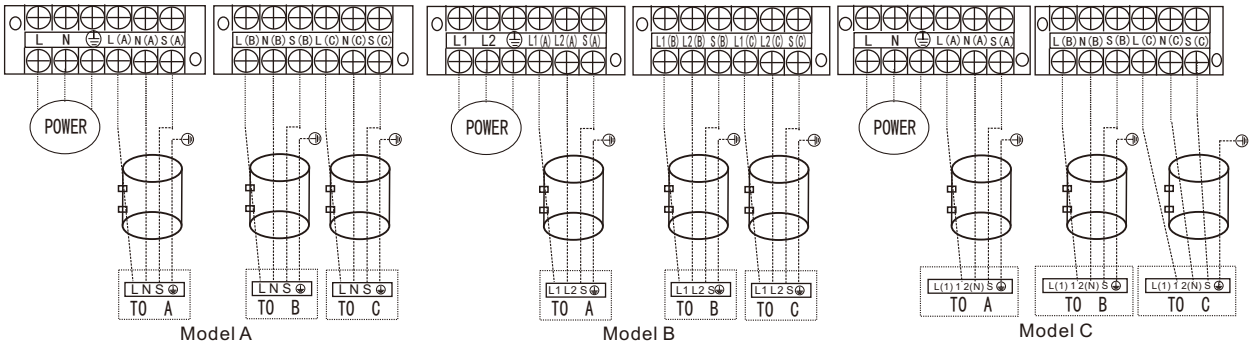
**NOTE:** please refer to the following figures, if the client want wire by themselves. please run the main power cord through the lower line-outlet of the cord clamp.

## One-two models:

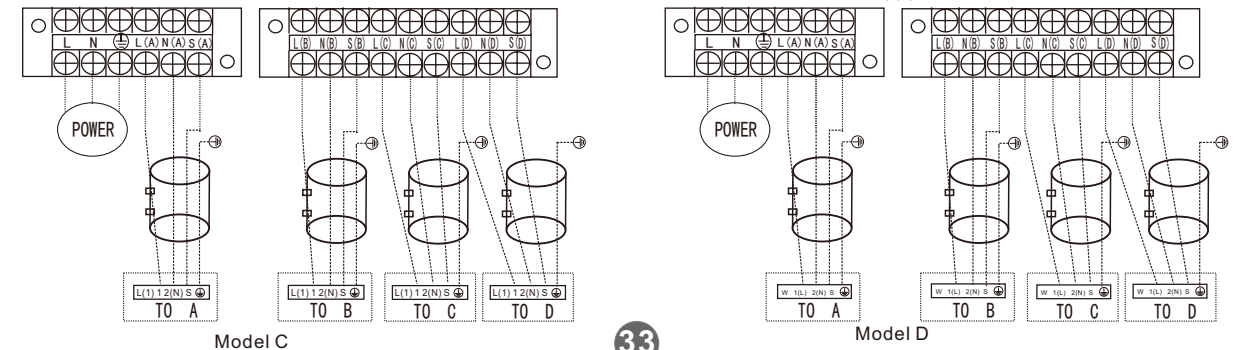
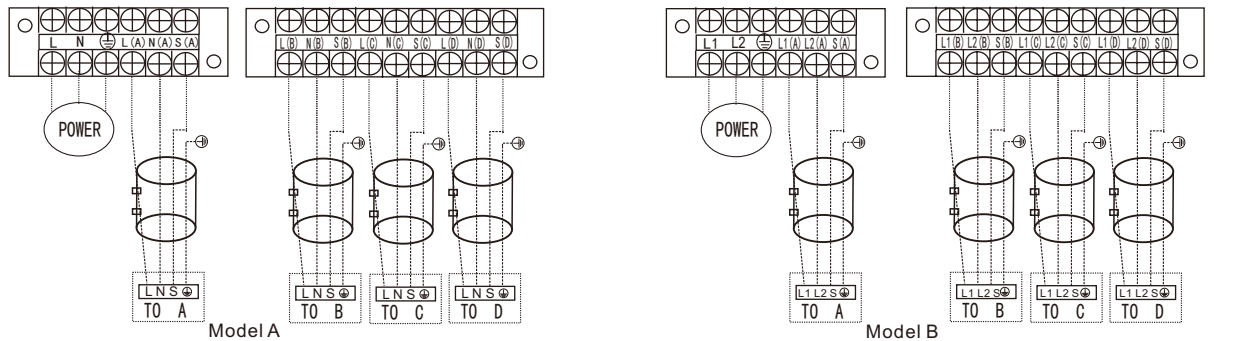


**NOTE:** please refer to the following figures, if the client want wire by themselves.

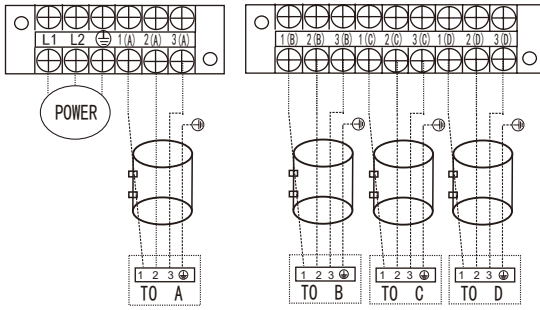
## One-three models:



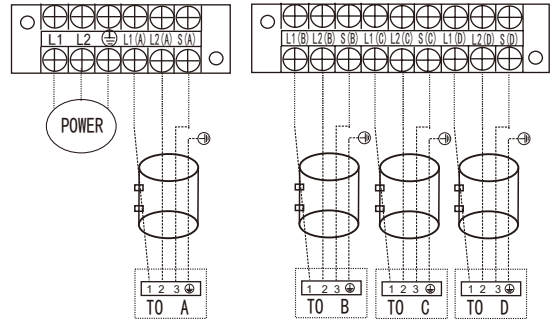
## One-four models:



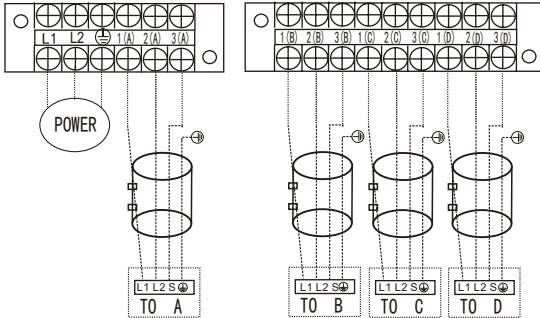
# ELECTRICAL WORK



Model E

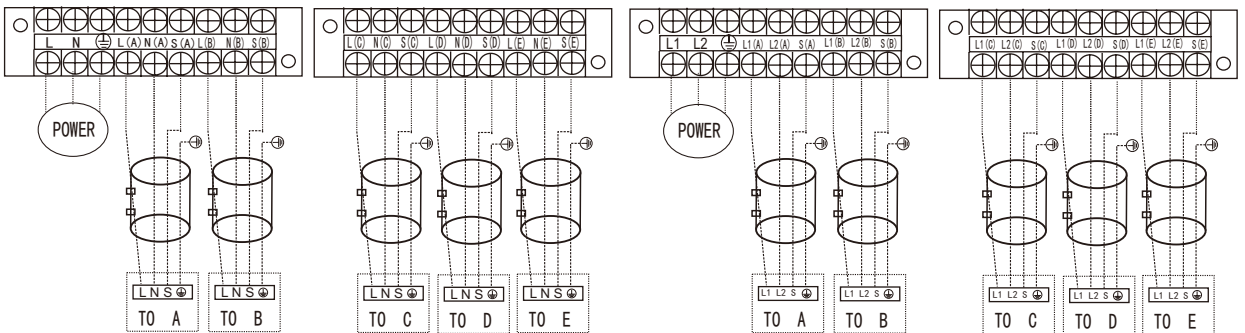


Model F

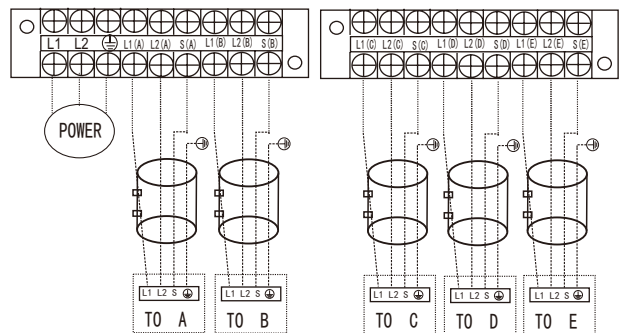


Model G

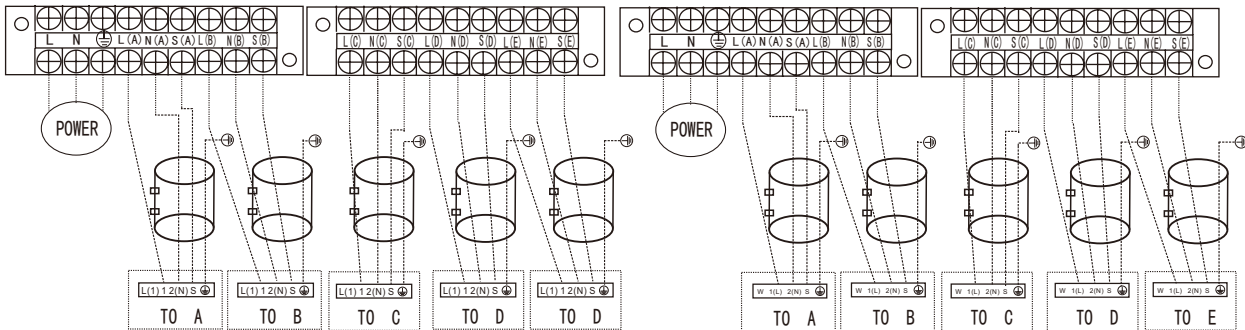
## One-five models:



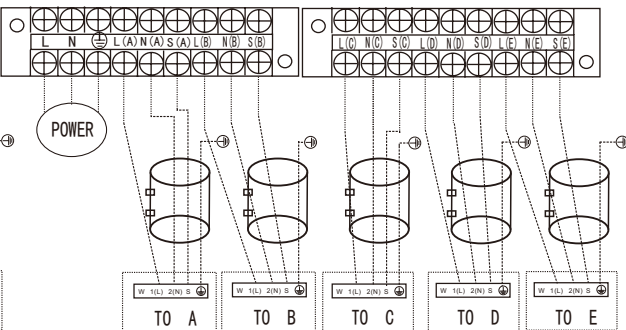
Model A



Model B

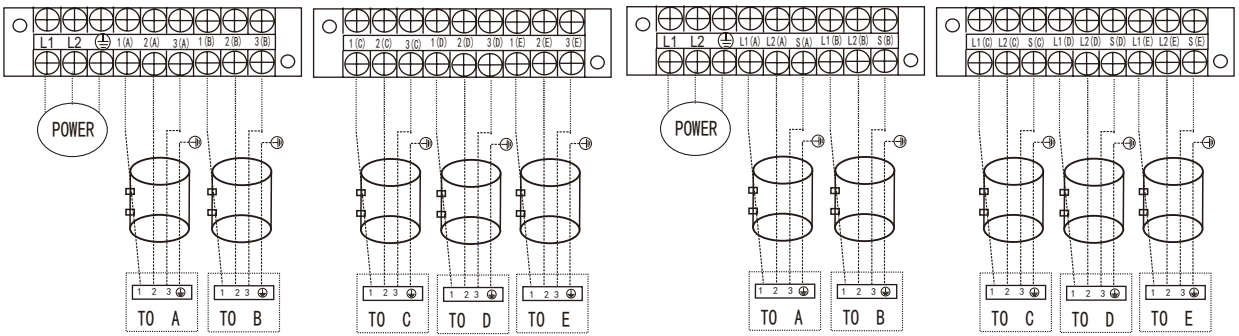


Model C



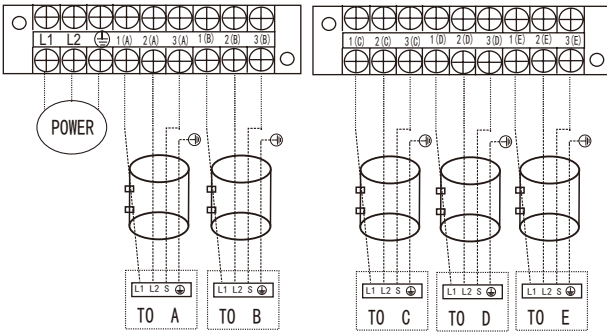
Model D

# ELECTRICAL WORK



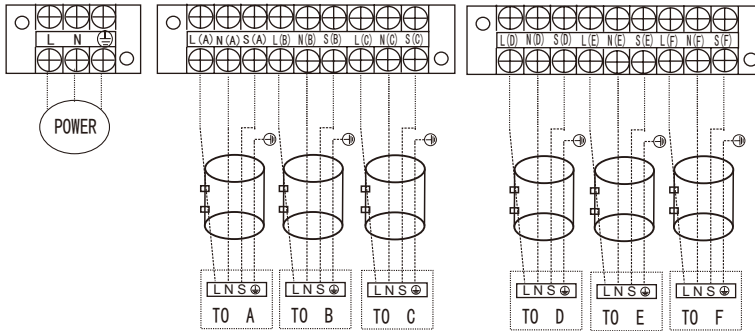
Model E

Model F



Model G

## One-six models:



Model A

## CAUTION

After the confirmation of the above conditions, prepare the wiring as follows:

- 1) Never fail to have an individual power circuit specifically for the air conditioner. As for the method of wiring, be guided by the circuit diagram posted on the inside of control cover.
- 2) The screw which fasten the wiring in the casing of electrical fittings are liable to come loose from vibrations to which the unit is subjected during the course of transportation. Check them and make sure that they are all tightly fastened. (If they are loose, it could cause burn-out of the wires.)
- 3) Specification of power source.
- 4) Confirm that electrical capacity is sufficient.
- 5) See to that the starting voltage is maintained at more than 90 percent of the rated voltage marked on the name plate.
- 6) Confirm that the cable thickness is as specified in the power source specification.
- 7) Always install an earth leakage circuit breaker in a wet or moist area.
- 8) The following would be caused by voltage drop.  
Vibration of a magnetic switch, which will damage the contact point, fuse breaking, disturbance of the normal function of the overload.
- 9) The means for disconnection from a power supply shall be incorporated in the fixed wiring and have an air gap contact separation of at least 3mm in each active(phase) conductors.
- 10) Before obtaining access to terminals, all supply circuits must be disconnected.

## Air purging

Air and moisture in the refrigerant system have undesirable effects as indicated below:

- Pressure in the system rises.
- Operating current rises.
- Cooling or heating efficiency drops.
- Moisture in the refrigerant circuit may freeze and block capillary tubing.
- Water may lead to corrosion of parts in the refrigeration system.

Therefore, the indoor unit and tubing between the indoor and outdoor unit must be leak tested and evacuated to remove any noncondensables and moisture from the system.

## Air purging with vacuum pump

- Preparation  
Check that each tube(both liquid and gas side tubes) between the indoor and outdoor units have been properly connected and all wiring for the test run has been completed. Remove the service valve caps from both the gas and the liquid side on the outdoor unit. Note that both the liquid and the gas side service valves on the outdoor unit are kept closed at this stage.
- Pipe length and refrigerant amount:

**NOTE:** N=2(one-twin models), N=3(one-three models), N=4(one-four models), N=5(one-five models).

The Standard pipe length is vary according to the requirements of different area. For example, in North America area, the standard pipe length is 7.5m(25ft). While in the other areas, the standard pipe length is 5m(16ft).

Connective pipe length	Air purging method	Additional amount of refrigerant to be charged (R410A)
Pre-charge pipe length(ft/m) (Standard pipe lengthxN)	Use vacuum pump.	—————
More than (Standard pipe lengthxN)ft/m	Use vacuum pump.	Liquid side: $\phi 6.35(1/4")$ (Total pipe length - standard pipe lengthxN)x15g(0.16oz)/m(ft) Liquid side: $\phi 9.52(3/8")$ (Total pipe length - standard pipe lengthxN)x30g(0.32oz)/m(ft)

- When relocate the unit to another place, perform evacuation using vacuum pump.
- Make sure the refrigerant added into the air conditioner is liquid form in any case.

## Caution in handling the packed valve

- Open the valve stem until it hits against the stopper. Do not try to open it further.
- Securely tighten the valve stem cap with a spanner or the like.
- Valve stem cap tightening torque (See Tightening torque table in previous page ).

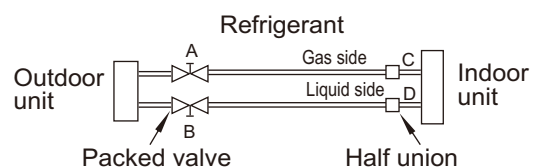


Fig.65

## When Using the Vacuum Pump

(For method of using a manifold valve, refer to its operation manual.)

1. Completely tighten the flare nuts, A, B, C, D, connect the manifold valve charge hose to a charge port of the low-pressure valve on the gas pipe side.
2. Connect the charge hose connection to the vacuum pump.
3. Fully open the handle Lo of the manifold valve.

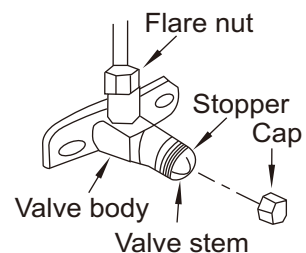


Fig.66

## AIR PURGING

4. Operate the vacuum pump to evacuate. After starting evacuation, slightly loose the flare nut of the Lo valve on the gas pipe side and check that the air is entering (Operation noise of the vacuum pump changes and a compound meter indicates 0 instead of minus)
5. After the evacuation is complete, fully close the handle Lo of the manifold valve and stop the operation of the vacuum pump. Make evacuation for 15 minutes or more and check that the compound meter indicates  $-76\text{cmHg}$  ( $-1 \times 10^5 \text{Pa}$ ).
6. Turn the stem of the packed valve B about  $45^\circ$  counterclockwise for 6~7 seconds after the gas coming out, then tighten the flare nut again. Make sure the pressure display in the pressure indicator is a little higher than the atmosphere pressure.
7. Remove the charge hose from the Low pressure charge hose.
8. Fully open the packed valve stems B and A.
9. Securely tighten the cap of the packed valve.
10. If the outdoor unit uses all vacuum valves, and the vacuum position is at the main valve, the system is not connected with the indoor unit must be tightened with a screw nut. Checking the gas leakage before operation to prevent leakage.

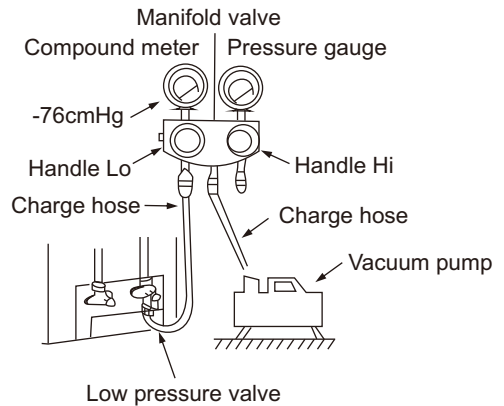


Fig.67

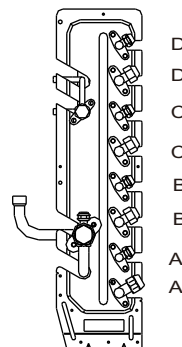


Fig.68

### Safety and leakage check

#### ● Electrical safety check

Perform the electric safe check after completing installation:

1. Insulated resistance
 

The insulated resistance must be more than  $2\text{M}\Omega$ .
2. Grounding work
 

After finishing grounding work, measure the grounding resistance by visual detection and grounding resistance tester. Make sure the grounding resistance is less than  $4\Omega$ .
3. Electrical leakage check (performing during test running)
 

During test operation after finishing installation, the serviceman can use the electroprobe and multimeter to perform the electrical leakage check. Turn off the unit immediately if leakage happens. Check and find out the solution ways till the unit operate properly.

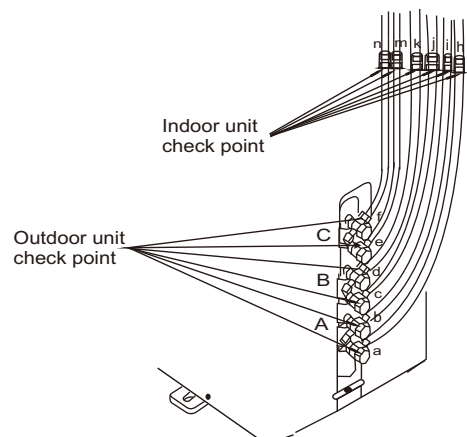


Fig.69



## ● Gas leak check

### 1. Soap water method:

Apply a soap water or a liquid neutral detergent on the indoor unit connection or outdoor unit connections by a soft brush to check for leakage of the connecting points of the piping. If bubbles come out, the pipes have leakage.

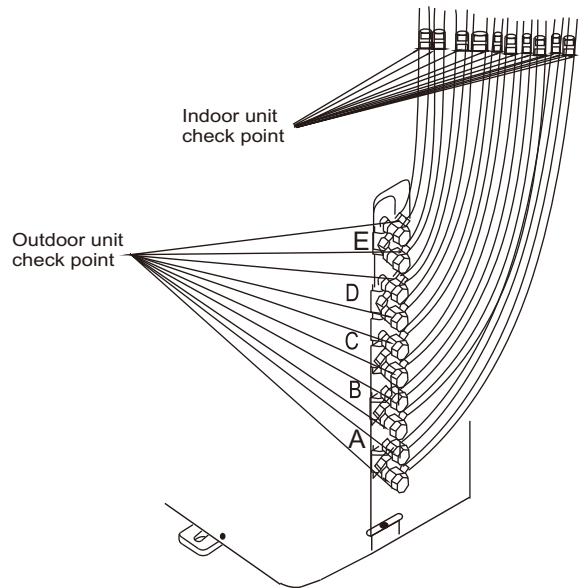
### 2. Leak detector

Use the leak detector to check for leakage.

## CAUTION

A: Lo packed valve B: Hi packed valve  
C and D are ends of indoor unit connection.

**NOTE:** The illustration is for explanation purpose only. The actual order of A, B, C, D and E on the machine may be slightly different from the unit you purchased. The actual shape shall prevail.



A, B, C, D are points for one-four type.  
A, B, C, D, E are points for one-five type.

Fig.70

## Test running

Perform test operation after completing gas leak check at the flare nut connections and electrical safety check.

- Check that all tubing and wiring have been properly connected.
  - Check that the gas and liquid side service valves are fully open.
1. Connect the power, press the ON/OFF button on the remote controller to turn the unit on.
  2. Use the MODE button to select COOL, HEAT, AUTO and FAN to check if all the functions works well.
  3. When the ambient temperature is too low (lower than 17°C), the unit cannot be controlled by the remote controller to run at cooling mode, manual operation can be taken. Manual operation is used only when the remote controller is disable or maintenance necessary.
    - Hold the panel sides and lift the panel up to an angle until it remains fixed with a clicking sound.
    - Press the Manual control button to select the AUTO or COOL, the unit will operate under Forced AUTO or COOL mode (see User Manual for details).
  4. The test operation should last about 30 minutes.

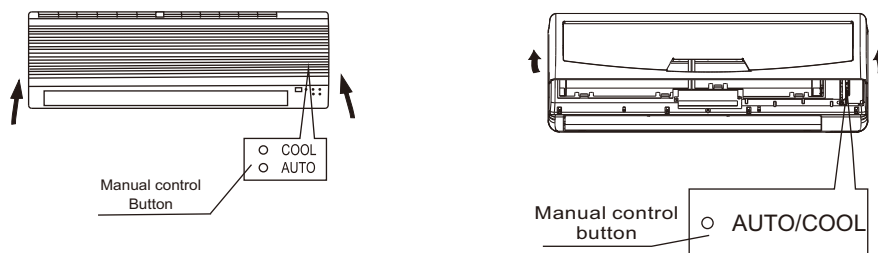


Fig.71



The Klimaïre logo is a registered Trademark of Klimaïre  
Products inc. Copyright 2024 Klimaïre Products Inc.

7999NW 81 Place - Miami, FL 33166

Tel: (305)593-8358  
[www.klimaïre.com](http://www.klimaïre.com)

Fax (305) 675-2212  
[sales@klimaïre.com](mailto:sales@klimaïre.com)

The design and specifications are subject to change without prior notice for product improvement. Consult with the sales agency or manufacturer for details. Any updates to the manual will be uploaded to the service website, please check for the latest version.

---