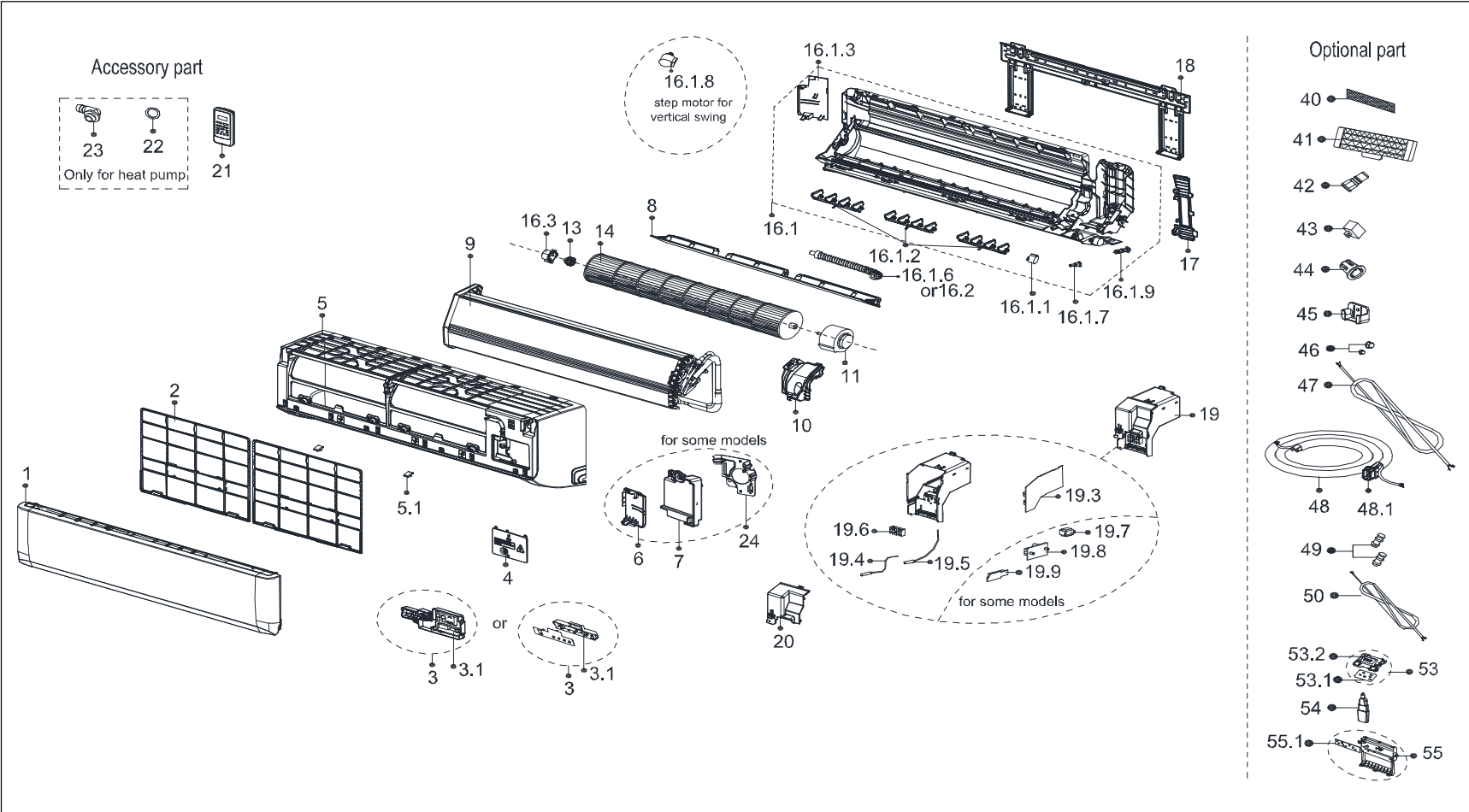


Exploded Diagram

Model Number: KSIH024-H220-IW-2 | 62220-L2323911

Power Supply: 208-230V - 1ph - 60Hz



This information is to be used by qualified HVAC technicians only and is subject to revision without notice

KSIH024-H220-IW-2 Drawing No. D5IH240404

DATE 24-04

KSIH024-H220-IW-2 - SPARE PARTS LIST

No.	Part Number	Description	Specifications	Stock No.	Qty	Price	Remarks
1	12122000A92359	Panel assembly			1	\$43.00	
2	12100204000461	Filter			2	\$5.00	
3	17222000A58427	Display box subassembly			1	\$40.00	
3.1	17122000047923	Display Board Subassembly			1	\$25.00	
4	12122000025611	Cover Plate			1	\$5.00	
5	12122000025606	Panel Frame Assembly			1	\$69.00	
5.1	12122000013139	Screw Cap			2	—	
6	12122000004608	Front Cover of Chassis(Right)			1	\$3.00	
7	12122000025617	Cover Board For Wiring			1	\$3.00	
8	12122000025607	Louver			1	\$18.00	
9	15822000A17799	Evaporator assembly			1	\$305.00	
10	12122000005512	Motor Cover			1	\$5.00	
11	11002015008646	Brushless DC Motor			1	\$145.00	ZKFP-58-8-1-5
13	12622000000131	Bearing Block Assembly			1	\$2.00	
14	12100102000018	Cross Flow Fan			1	\$41.00	GL-108*818
16	12122000028181	Chassis assembly			1	\$111.00	
16.1	12122000028182	Chassis assembly			1	\$111.00	
16.1.1	11002010000049	Stepper Motor			1	\$14.00	SM-30-17-12-14
16.1.2	12122000000135	Horizontal Louver			3	\$1.00	
16.1.3	12122000004614	Front Cover of Chassis			1	\$3.00	
16.1.6	12100501000032	Drain Hose			1	\$4.00	

This information is to be used by qualified HVAC technicians only and is subject to revision without notice

KSIH024-H220-IW-2 Parts List No. P2IH240404

Above prices are subject to S&H charges

DATE 24-04

KSIH024-H220-IW-2 - SPARE PARTS LIST

No.	Part Number	Description	Specifications	Stock No.	Qty	Price	Remarks
16.1.7	12122000000344	Insulated Axis			1	—	
16.1.9	12622000000030	Drainage plug			1	\$1.00	
16.3	12122000000350	Bearing Holder			1	—	
17	12122000012942	pipe clamp board			1	\$2.00	
18	12222000000026	Installation Plate			1	\$17.00	
19	17222000034054	Electronic control box subassembly (Mid-and low-end)			1	\$109.00	
19.3	17122000051783	Main control board subassembly			1	\$94.00	
19.4	11201007003425	Room Temperature Sensor			1	\$5.00	
19.5	11201007003445	Pipe Temperature Sensor			1	\$4.00	
19.6	17400401000576	Wire Joint			1	\$9.00	
20	12122000025610	Cover of electronic control box (BMC)			1	\$6.00	
21	17317000A66087	Remote controller			1	\$30.00	RG10A(D2S)/BGEFU1
22	12600701000039	seal ring			1	—	
23	12100509000061	Drain Hose			1	—	
24	12222000004705	pipe connect board			1	\$2.00	
40	12100204000685	Air Freshening Filter			1	\$1.00	
40	12100206000056	Air Freshening Filter			1	\$1.00	
42	15500209000002	Detection Valve			1	\$2.00	
45	12122000029201	Bracket of Remote Controller			1	\$2.00	
46	15500406000003	Copper nut			1	\$12.00	
46	15500406000010	Copper nut			1	\$7.00	

This information is to be used by qualified HVAC technicians only and is subject to revision without notice

KSIH024-H220-IW-2 Parts List No. P2IH240404

Above prices are subject to S&H charges

DATE 24-04

KSIH024-H220-O-2 SPARE PARTS LIST

No.	Part Number	Description	Specifications	Stock No.	Qty.	Price	Remarks
1	1222200006665	Left Side Plate Assembly of Cabinet			1	\$39.00	
1.1	12100701000033	Small handle			1	\$1.00	
2	15822000014415	Condenser assembly			1	\$525.00	
4	12222000006664	Rear Right Clapboard Assembly			1	\$57.00	
5	12222000011086	Big Handle Assembly			1	\$12.00	
6	12122200002695	Water Collector			1	\$7.00	
7	12222500A00135	Front Right Clapboard Assembly			1	\$42.00	
7.1	12100702000038	Handle			1	\$1.00	
9	12222000004018	Chassis assembly			1	\$93.00	
10	12222000A01431	Front panel			1	\$92.00	
11	12222000014845	Air outlet grille			1	\$51.00	
12	12100105000084	Axial Flow Fan			1	\$39.00	ZL-560*139*12-3KN
13	11002015000247	Brushless DC Motor			1	\$146.00	ZKFN-120-8-2
14	12222000005162	Motor Bracket Assembly			1	\$50.00	
16	12222000012328	Partition board assembly			1	\$29.00	
18	12222500000587	Top Cover Assembly			1	\$58.00	
19	17222000037695	Electronic control box subassembly			1	\$353.00	
19.1	12122000025662	Cover of electronic control box			1	\$18.00	
19.2	17122000050360	Outdoor main control board subassembly			1	\$323.00	
20	17222000036685	Terminal board subassembly			1	\$66.00	
20.1	17400401000068	Terminal			1	\$13.00	

This information is to be used by qualified HVAC technicians only and is subject to revision without notice

KSIH024-H220-O-2 - Parts List No. D5IH240408

Above prices are subject to S&H charges

DATE 24-04

KSIH024-H220-O-2 SPARE PARTS LIST

No.	Part Number	Description	Specifications	Stock No.	Qty.	Price	Remarks
20.2	12222000012985	Electronic installing box subassembly			1	\$41.00	
20.2.1	12122000024381	U-Typed Support with Copper Pipe			1	\$12.00	
21	15422000018614	Four-Way Valve Subassembly			1	\$175.00	
21.1	15500204000025	Gas valve			1	\$43.00	DYF-C15N1
21.2	15500216000361	Four-Way Valve			1	\$87.00	STF-02BN1
21.4	15122000027194	Suction pipe			1	\$55.00	
21.5	15122000025058	Discharge pipe			1	\$20.00	
21.6	15500506000007	Muffler			1	\$28.00	
22	15422000018612	Liquid valve assembly			1	\$53.00	
22.1	15500208000286	Liquid Valve			1	\$20.00	GYF-C27N
22.3	12222200002110	Valve plate			1	\$8.00	
22.4	15500210002108	Throttle valve			1	\$12.00	JLF(G)-064-N8-N6
24	15500406000003	Copper nut			1	\$12.00	
24	15500406000010	Copper nut			1	\$7.00	
25	12222000006604	Rear net			1	\$19.00	
26	11103020006879	DC Inverter rotary compressor			1	\$345.00	KTM240D43UKT
38	17402001000603	Crankcase Electric Heating Strip			1	\$17.00	
39	17402002000466	Heater			1	\$67.00	
41	12100509000059	Drain Hose			1	\$3.00	
43	15122000026020	Radiator subassembly			1	\$77.00	
46	12122000016029	Cover of electronic control box			1	\$14.00	

This information is to be used by qualified HVAC technicians only and is subject to revision without notice

KSIH024-H220-O-2 - Parts List No. D5IH240408

Above prices are subject to S&H charges

DATE 24-04

KSIH024-H220-O-2 SPARE PARTS LIST

No.	Part Number	Description	Specifications	Stock No.	Qty.	Price	Remarks
47	11201011000188	Combination Sensor			1	\$14.00	
50	15422000018613	Throttle valve subassembly			1	\$97.00	
50.1	15500213000176	Electronic expansion valve body			1	\$71.00	
53	16022000C24452	Trademark			1	\$1.00	
99	17401203000751	Compressor Wires Subassembly			1	\$14.00	

This information is to be used by qualified HVAC technicians only and is subject to revision without notice

KSIH024-H220-O-2 - Parts List No. D5IH240408

Above prices are subject to S&H charges

DATE 24-04