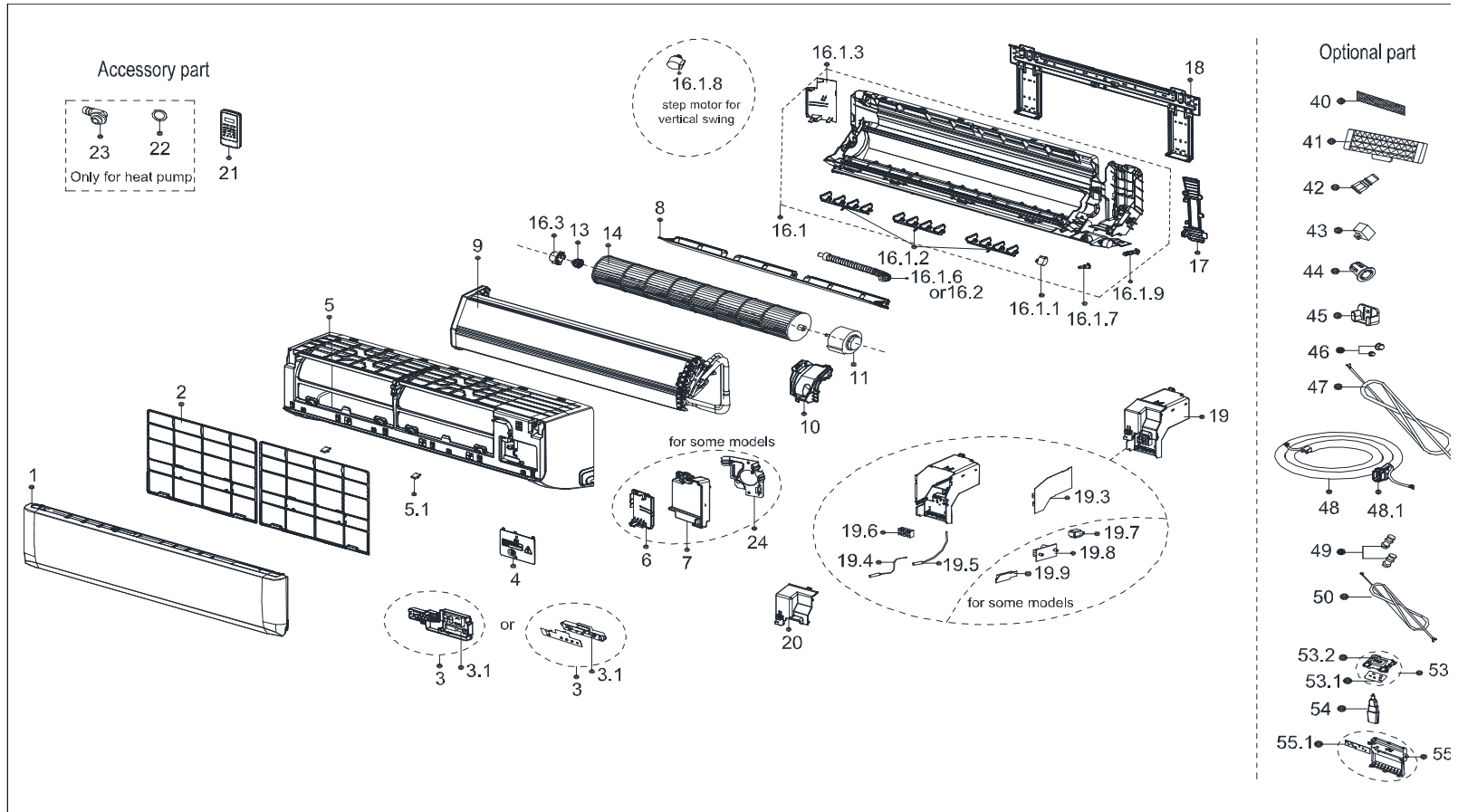


Exploded Diagram

Model Number: KSIH018-H220-IW-2 | 62220-L2323910

Power Supply: 208-230V - 1ph - 60Hz



This information is to be used by qualified HVAC technicians only and is subject to revision without notice

KSIH018-H220-IW-2 Drawing No. D5IH240403

DATE 24-04

KSIH018-H220-IW-2 - SPARE PARTS LIST

No.	Part Number	Description	Specifications	Stock No.	Qty	Price	Remarks
1	12122000A92359	Panel assembly			1	\$43.00	
2	12100204000461	Filter			2	\$5.00	
3	17222000A58427	Display box subassembly			1	\$40.00	
3.1	17122000047923	Display Board Subassembly			1	\$25.00	
4	12122000025611	Cover Plate			1	\$5.00	
5	12122000025606	Panel Frame Assembly			1	\$69.00	
5.1	12122000013139	Screw Cap			2	—	
6	12122000004608	Front Cover of Chassis(Right)			1	\$3.00	
7	12122000025617	Cover Board For Wiring			1	\$3.00	
8	12122000025607	Louver			1	\$18.00	
9	15822000A16487	Evaporator assembly			1	\$315.00	
10	12122000005512	Motor Cover			1	\$5.00	
11	11002015008646	Brushless DC Motor			1	\$145.00	ZKFP-58-8-1-5
13	12622000000131	Bearing Block Assembly			1	\$2.00	
14	12100102000018	Cross Flow Fan			1	\$41.00	GL-108*818
16	12122000028181	Chassis assembly			1	\$111.00	
16.1	12122000028182	Chassis assembly			1	\$111.00	
16.1.1	11002010000049	Stepper Motor			1	\$14.00	SM-30-17-12-14
16.1.2	12122000000135	Horizontal Louver			3	\$1.00	
16.1.3	12122000004614	Front Cover of Chassis			1	\$3.00	
16.1.6	12100501000032	Drain Hose			1	\$4.00	
16.1.7	12122000000344	Insulated Axis			1	—	

This information is to be used by qualified HVAC technicians only and is subject to revision without notice

KSIH018-H220-IW-2 Parts List No. P2IH240403

Above prices are subject to S&H charges

DATE 24-04

KSIH018-H220-IW-2 - SPARE PARTS LIST

No.	Part Number	Description	Specifications	Stock No.	Qty	Price	Remarks
16.1.9	12622000000030	Drainage plug			1	\$1.00	
16.3	12122000000350	Bearing Holder			1	—	
17	12122000012942	pipe clamp board			1	\$2.00	
18	12222000000026	Installation Plate			1	\$17.00	
19	17222000034044	Electronic control box subassembly (Mid-and low-end)			1	\$109.00	
19.3	17122000051748	Main control board subassembly			1	\$94.00	
19.4	11201007003425	Room Temperature Sensor			1	\$5.00	
19.5	11201007003445	Pipe Temperature Sensor			1	\$4.00	
19.6	17400401000576	Wire Joint			1	\$9.00	
20	12122000025610	Cover of electronic control box (BMC)			1	\$6.00	
21	17317000A66087	Remote controller			1	\$30.00	RG10A(D2S)/BGEFU1
22	12600701000039	Seal ring			1	—	
23	12100509000061	Drain Hose			1	—	
24	12222000004705	pipe connect board			1	\$2.00	
40	12100204000685	Air Freshening Filter			1	\$1.00	
40	12100206000056	Air Freshening Filter			1	\$1.00	
42	15500209000001	Check valve			1	\$2.00	
45	12122000029201	Bracket of Remote Controller			1	\$2.00	
46	15500406000012	Copper nut			1	\$9.00	
46	15500406000016	Copper nut			1	\$4.00	

This information is to be used by qualified HVAC technicians only and is subject to revision without notice

KSIH018-H220-IW-2 Parts List No. P2IH240403

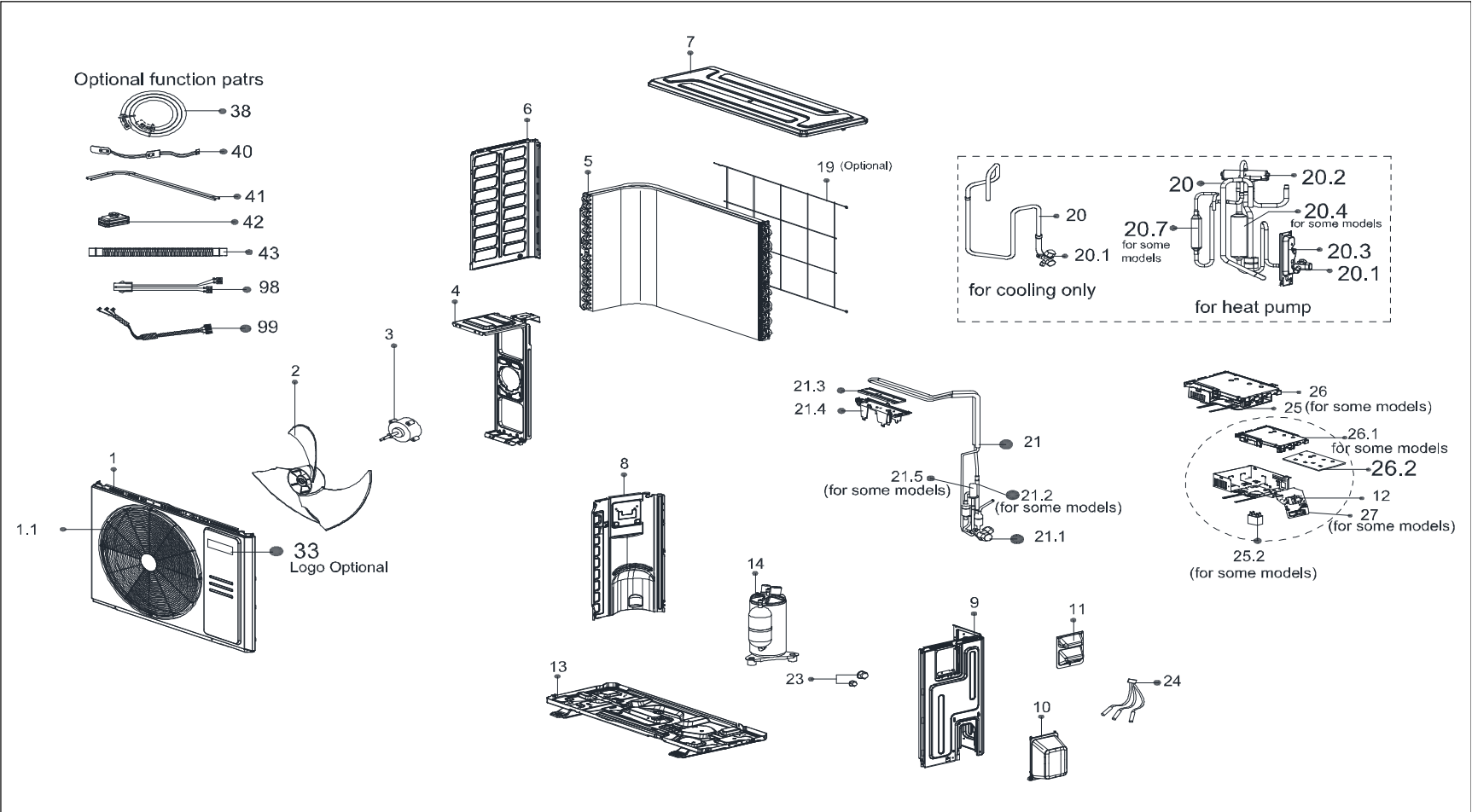
Above prices are subject to S&H charges

DATE 24-04

Exploded Diagram

Model Number: KSIH018-H220-O-2 | 62220-L2324110

Voltage: 208-230V - 1ph - 60Hz



This information is to be used by qualified HVAC technicians only and is subject to revision without notice

KSIH018-H220-O-2 - Drawing No. D5IH240407

DATE 24-04

KSIH018-H220-O-2 SPARE PARTS LIST

No.	Part Number	Description	Specifications	Stock No.	Qty.	Price	Remarks
1	12222000013468	Front panel			1	\$99.00	
1.1	12222000013469	Air outlet grille			1	\$38.00	
2	12100105000841	Axial Flow Fan			1	\$35.00	ZL-535*133*12-3KFN
3	11002015000366	Brushless DC Motor			1	\$125.00	ZKFN-80-8-3
4	12222000012371	Motor Bracket			1	\$28.00	
5	15822000009796	Condenser assembly			1	\$377.00	
6	12222000013472	Left supporter			1	\$24.00	
7	12222000013465	Top cover assembly			1	\$48.00	
8	12222000013245	Partition board assembly			1	\$23.00	
9	12222000013466	Right clapboard assembly			1	\$44.00	
10	12122000007150	Water Collector			1	\$5.00	
11	12222000010966	Big handle assembly			1	\$14.00	
12	17400401000068	Terminal			1	\$13.00	
13	12222000014054	Chassis assembly			1	\$79.00	
14	11103020006879	DC Inverter rotary compressor			1	\$345.00	KTM240D43UKT
19	12222000013085	Rear Net			1	\$13.00	
20	15422000018634	4-way valve assembly			1	\$160.00	
20.1	15500204000058	Gas Valve			1	\$28.00	DYF-B29N
20.2	15500216000026	4-way Valve			1	\$86.00	STF-02BN1(VHR)
20.3	12222200005738	Valve Plate			1	\$5.00	
20.4	15122000027215	Muffler subassembly			1	\$32.00	

This information is to be used by qualified HVAC technicians only and is subject to revision without notice

KSIH018-H220-O-2 - Parts List No. D5IH240407

Above prices are subject to S&H charges

DATE 24-04

KSIH018-H220-O-2 SPARE PARTS LIST

No.	Part Number	Description	Specifications	Stock No.	Qty.	Price	Remarks
20.7	15122000025163	Muffler subassembly			1	\$29.00	
21	15422000025066	Liquid valve Assembly			1	\$118.00	
21.1	15500208000028	Liquid Valve			1	\$16.00	GYF-A28N
21.2	15500210001848	Throttle valve element			1	\$12.00	JLF(G)-054-N8-N6
21.3	11203803001176	Radiator			1	\$11.00	
21.4	12122000011478	U-Typed Support with Copper Pipe			1	\$10.00	
21.5	15500213000047	Electronic expansion valve subassembly			1	\$71.00	
23	15500406000012	Copper nut			1	\$9.00	
23	15500406000016	Copper nut			1	\$4.00	
24	11201011000188	Combination Sensor			1	\$14.00	
25	12222000014405	Terminal board subassembly			1	\$21.00	
26	17222000038687	Electronic control box subassembly			1	\$271.00	
26.1	12122000008999	Electronic Installing Box			1	\$12.00	
26.2	17122000061128	Outdoor main control board subassembly			1	\$255.00	
33	16022000C24452	Trademark			1	\$1.00	
40	17402001000603	Crankcase Electric Heating Strip			1	\$17.00	
41	17402002000544	tube type electric heater			1	\$66.00	
43	12100509000059	Drain Hose			1	\$3.00	
99	17401203012697	Compressor Wires Subassembly			1	\$12.00	

This information is to be used by qualified HVAC technicians only and is subject to revision without notice

KSIH018-H220-O-2 - Parts List No. D5IH240407

Above prices are subject to S&H charges

DATE 24-04