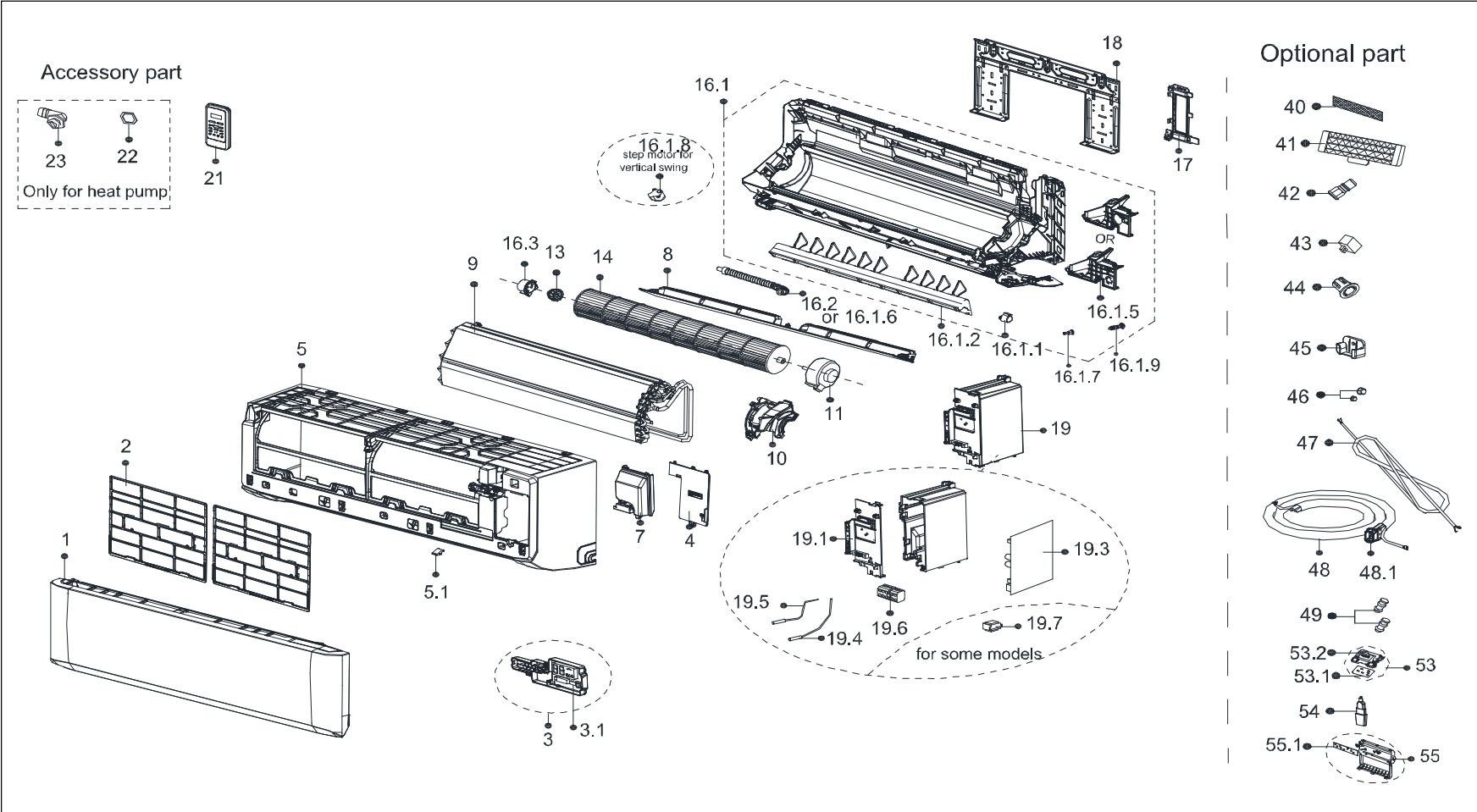


Exploded Diagram

Model Number: KSIH009-H225-IW-2 | 62220-L2323908

Power Supply : 208-230V - 1ph - 60Hz



This information is to be used by qualified HVAC technicians only and is subject to revision without notice

KSIH009-H225-IW-2 Drawing No. D5IH240401

DATE 24-04

KSIH009-H225-IW-2 - SPARE PARTS LIST

No.	Part Number	Description	Specifications	Stock No.	Qty	Price	Remarks
1	12122000A92360	Panel assembly			1	\$32.00	
2	12100204000522	Filter Assembly			2	\$3.00	
3	17222000A58426	Display box subassembly			1	\$40.00	
3.1	17122000047923	Display Board Subassembly			1	\$25.00	
4	12122000024739	Cover Plate			1	\$2.00	
5	12122000025543	Panel Frame Assembly			1	\$48.00	
5.1	12122000013139	Screw Cap			1	\$0.00	
7	12122000025064	Cover Board For Wiring			1	\$5.00	
8	12122000025544	Louver Subassembly			1	\$14.00	
9	15822000A18723	Evaporator assembly			1	\$253.00	
10	12122000029503	Motor Cover			1	\$3.00	
11	11002015000150	Brushless DC Motor			1	\$96.00	
13	12622000000131	Bearing Block Assembly			1	\$2.00	
14	12100102000576	Cross Flow Fan			1	\$28.00	
16	12122000027924	Chassis assembly			1	\$88.00	
16.1	12122000027923	Chassis assembly			1	\$88.00	
16.1.1	11002010000143	Stepper Motor			1	\$11.00	
16.1.2	12122000024736	Vortex Tongue Bar			1	\$11.00	
16.1.5	12122000024735	Anti mouse baffle			1	\$2.00	
16.1.6	12100501000032	Drain Hose			1	\$4.00	
16.1.7	12122000000344	Insulated Axis			1	—	

This information is to be used by qualified HVAC technicians only and is subject to revision without notice

KSIH009-H225-IW-2 Parts List No. P2IH240401

Above prices are subject to S&H charges

DATE 24-04

KSIH009-H225-IW-2 - SPARE PARTS LIST

No.	Part Number	Description	Specifications	Stock No.	Qty	Price	Remarks
16.1.9	12622000000030	Drainage plug			1	\$1.00	
16.3	12122000000350	Bearing Holder			1	\$0.00	
17	12122000012943	pipe clamp board			1	\$2.00	
18	12222000000018	Installation Plate			1	\$14.00	
19	17222000033756	Electronic control box subassembly			1	\$95.00	
19.1	12122000025621	Cover of Electronic Control Box (BMC)			1	\$6.00	
19.3	17122000051402	Main control board subassembly			1	\$80.00	
19.4	11201007003424	Room Temperature Sensor			1	\$3.00	
19.5	11201007003447	Pipe Temperature Sensor			1	\$4.00	
19.6	17400401000576	Wire Joint			1	\$9.00	
21	17317000A66087	Remote controller			1	\$30.00	
22	12600701000039	seal ring			1	\$0.00	
23	12100509000061	Drain Hose			1	\$0.00	
40	12100204000685	Air Freshening Filter			1	\$1.00	
40	12100206000056	Air Freshening Filter			1	\$1.00	
42	15500209000001	Check valve			1	\$2.00	
45	12122000029201	Bracket of Remote Controller			1	\$2.00	
46	15500406000010	Copper nut			1	\$7.00	
46	15500406000016	Copper nut			1	\$4.00	

This information is to be used by qualified HVAC technicians only and is subject to revision without notice

KSIH009-H225-IW-2 Parts List No. P2IH240401

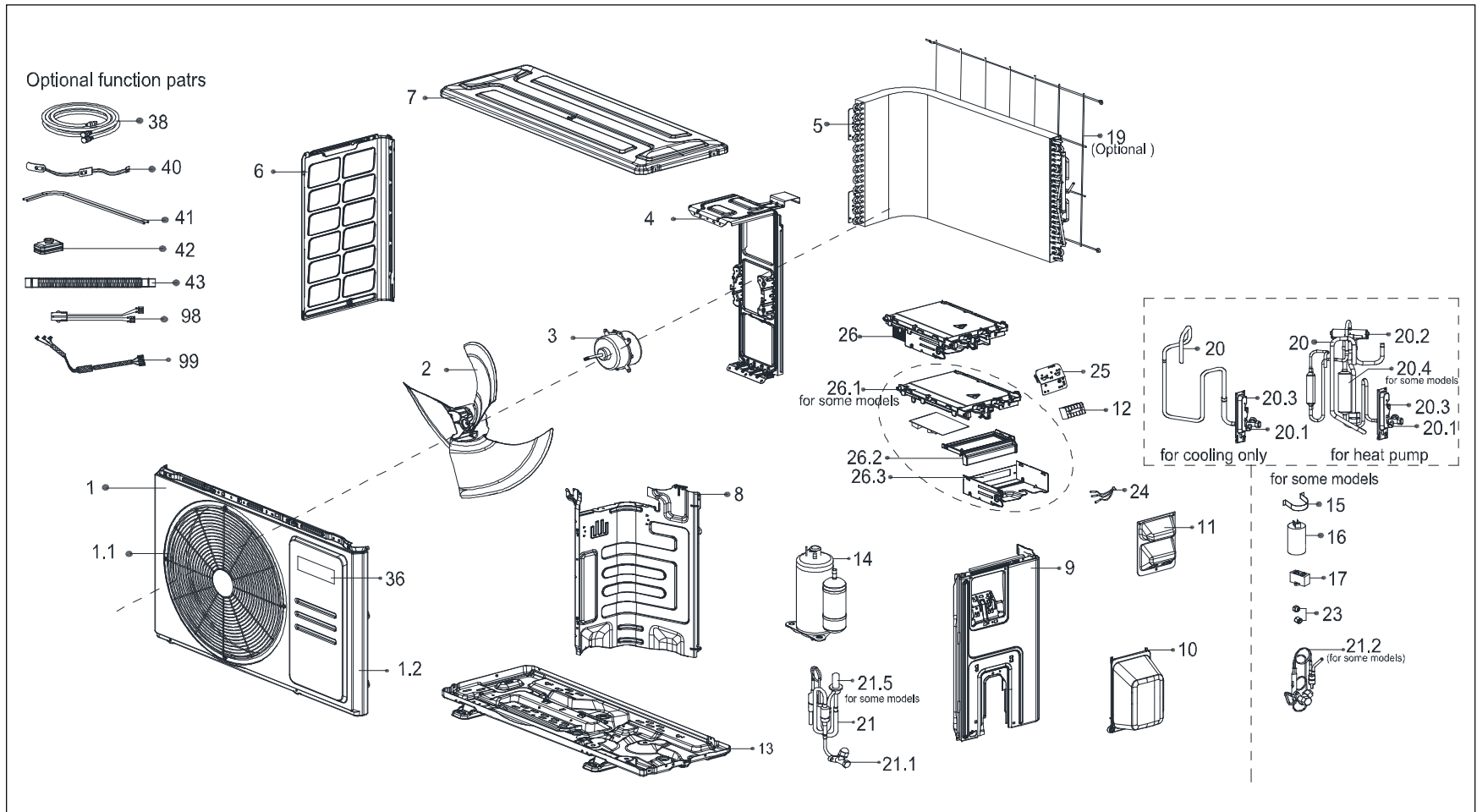
Above prices are subject to S&H charges

DATE 24-04

Exploded Diagram

Model Number: KSIH009-H225-O-2 | 62220-L2324108

Voltage: 208-230V - 1ph - 60Hz



This information is to be used by qualified HVAC technicians only and is subject to revision without notice

KSIH009-H225-O-2 - Drawing No. D5IH240405

DATE 24-04

KSIH009-H225-O-2 SPARE PARTS LIST

No.	Part Number	Description	Specifications	Stock No.	Qty.	Price	Remarks
1	12222000014130	Front panel assembly			1	\$87.00	
1.1	12222000013436	Air outlet grille			1	\$32.00	
1.2	12222000014131	Front panel			1	\$63.00	
2	12100105000881	Axial Flow Fan			1	\$22.00	ZL-434*144*8-3KN
3	11002015012128	Brushless DC Motor			1	\$82.00	ZKFN-34-10-1-3
4	12222000013200	Motor Bracket			1	\$13.00	
5	15822000013786	Condenser assembly			1	\$311.00	
6	12222000013197	Left Side Panel			1	\$18.00	
7	12222000013193	Top Cover Assembly			1	\$41.00	
8	12222000014125	Partition board assembly			1	\$22.00	
9	12222000013190	Right Clapboard Assembly			1	\$22.00	
10	12122000007150	Water Collector			1	\$5.00	
11	12222000010966	Big handle assembly			1	\$14.00	
12	17400401000068	Terminal			1	\$13.00	
13	12222000014127	Chassis assembly			1	\$53.00	
14	11103020003399	DC Inverter Rotary Compressor			1	\$291.00	KTN110D42UFZ
19	12222000013667	Rear net			1	\$14.00	
20	15422000018693	4-way valve assembly			1	\$128.00	
20.1	15500204000021	Gas Valve			1	\$25.00	DYF-A28N
20.2	15500216000028	4-way valve			1	\$69.00	STF-01N1
20.3	12222200005738	Valve Plate			1	\$5.00	

This information is to be used by qualified HVAC technicians only and is subject to revision without notice

KSIH009-H225-O-2 - Parts List No. D5IH240405

Above prices are subject to S&H charges

DATE 24-04

KSIH009-H225-O-2 SPARE PARTS LIST

No.	Part Number	Description	Specifications	Stock No.	Qty.	Price	Remarks
20.4	15122000025298	Muffler subassembly			1	\$25.00	
21	15422000004932	Liquid valve assembly			1	\$87.00	
21.1	15500208000028	Liquid Valve			1	\$16.00	GYF-A28N
21.5	15500213000047	Electronic expansion valve subassembly			1	\$71.00	
23	15500406000010	Copper nut			1	\$7.00	
23	15500406000016	Copper nut			1	\$4.00	
24	11201011000067	Combination Sensor			1	\$14.00	
25	12222000002259	Terminal Board			1	\$1.00	
26	17222000037699	Electronic control box subassembly			1	\$300.00	
26.1	12122000024223	Support of Electronic Control Box			1	\$10.00	
26.2	12122000024222	Fixing board			1	\$2.00	
26.3	12222000012106	Electronic Installing Box Subassembly			1	\$6.00	
36	16022000C24452	Trademark			1	\$1.00	
40	17402001000603	Crankcase Electric Heating Strip			1	\$17.00	
41	17402002000464	Electric heating tube			1	\$60.00	
43	12100509000059	Drain Hose			1	\$3.00	
99	17401203012697	Compressor Wires Subassembly			1	\$12.00	

This information is to be used by qualified HVAC technicians only and is subject to revision without notice

KSIH009-H225-O-2 - Parts List No. D5IH240405

Above prices are subject to S&H charges

DATE 24-04