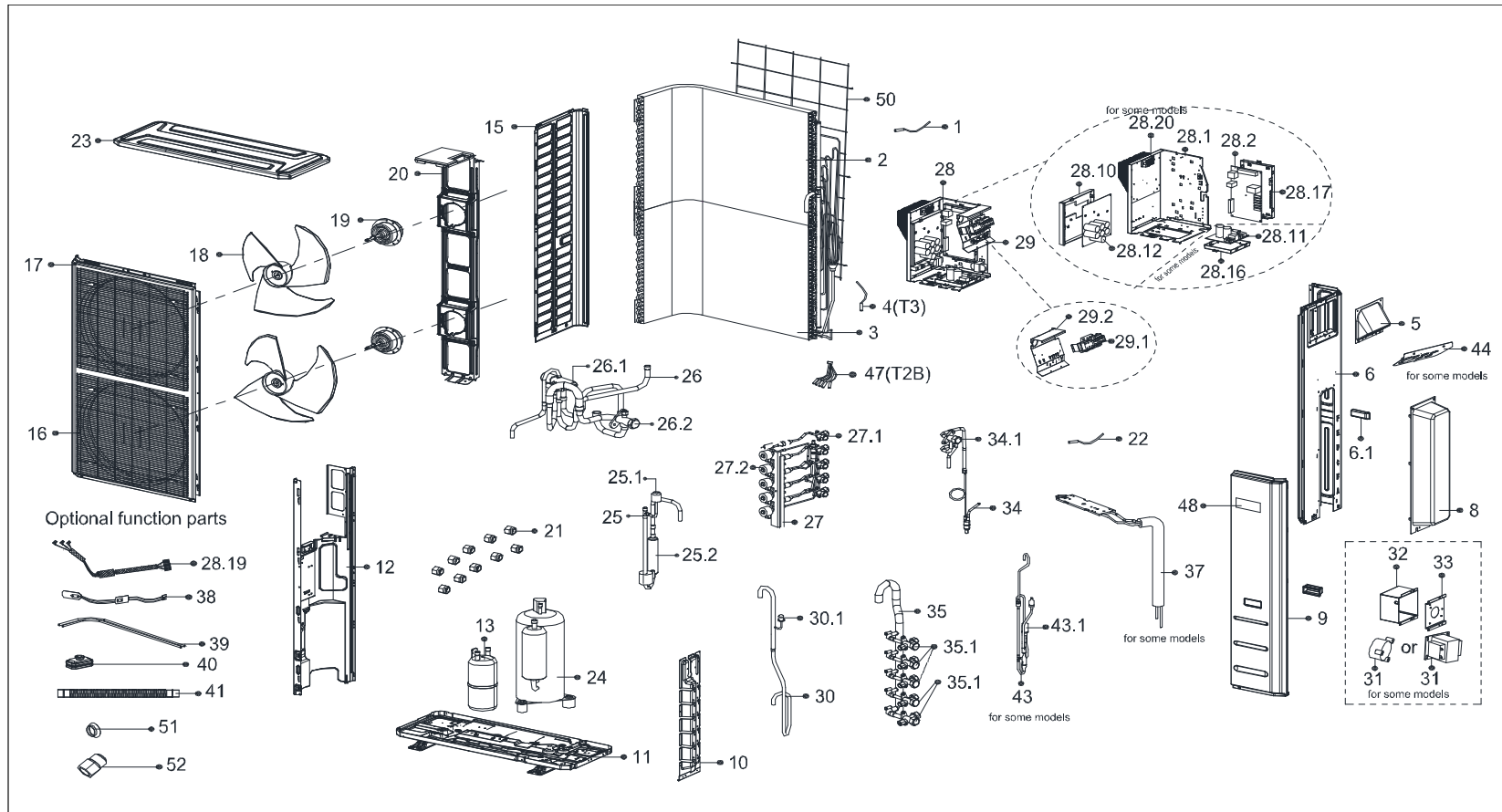


Exploded Diagram

Model Number: KMIR545-H219-2 | 62223-N4356609

Voltage: 208-230V - 1ph - 60Hz



This information is to be used by qualified HVAC technicians only and is subject to revision without notice

KMIR545-H219-2 - Drawing No. D5MR2404013

DATE 24-04

KMIR545-H219-2 SPARE PARTS LIST

No.	Part Number	Description	Specifications	Stock No.	Qty.	Price	Remarks
1	11201007003448	Room Temperature Sensor			1	\$4.00	
2	15822000008539	Condenser assembly			1	\$403.00	
3	15822000014448	Condenser assembly			1	\$402.00	
4	11201007003441	Pipe Temperature Sensor			1	\$6.00	
5	12222300000039	Big Handle Assembly			1	\$14.00	
6	12222000012227	Rear right clapboard assembly			1	\$98.00	
6.1	12100702000038	Handle			1	\$1.00	
8	12122000014341	Water collector			1	\$27.00	
9	12222000006287	Front right clapboard assembly			1	\$86.00	
10	12222000006744	Valve plate			1	\$33.00	
11	12222000006290	Chassis assembly			1	\$99.00	
12	12222000005733	Partition board assembly			1	\$67.00	
13	15500508000009	Liquid-storage tank			1	\$82.00	
15	12222200002363	Left side plate assembly of cabinet			1	\$62.00	
16	12222000014845	Air outlet grille			2	\$51.00	
17	12222000007564	Front panel			1	\$120.00	
18	12100105000022	Axial flow fan			2	\$40.00	ZL-554*148*12-3KFN
19	11002015009825	Brushless DC Motor			2	\$137.00	ZKFN-85-8-22-5
20	12222000006288	Supporter subassembly of fan motor			1	\$83.00	
21	15500406000010	Copper nut			3	\$7.00	
21	15500406000012	Copper nut			2	\$9.00	

This information is to be used by qualified HVAC technicians only and is subject to revision without notice

KMIR545-H219-2 - Parts List No. P5MR2404013

Above prices are subject to S&H charges

DATE 24-04

KMIR545-H219-2 SPARE PARTS LIST

No.	Part Number	Description	Specifications	Stock No.	Qty.	Price	Remarks
21	15500406000016	Copper nut			5	\$4.00	
22	11201007003124	Discharge Temperature Sensor			1	\$8.00	
23	12222200002359	Top cover assembly			1	\$59.00	
24	11103020000619	DC Inverter Rotary Compressor			1	\$559.00	ATQ360D1UMU
25	15122000026303	Discharge pipe assembly			1	\$124.00	
25.1	17400516000851	Pressure Controller			1	\$29.00	YK-4.4/3.2-500-1
25.2	15500506000002	Muffler			1	\$54.00	
26	15422000017697	4-way valve assembly			1	\$241.00	
26.1	15500216000681	Four-Way Valve			1	\$157.00	STF-03BN1
26.2	15500204000049	Gas valve			1	\$76.00	DYF-D-19-19N1
27	15422000021257	Liquid valve Assembly			1	\$266.00	
27.1	15500208000028	Liquid Valve			5	\$16.00	GYF-A28N
27.2	15500213002289	Electronic expansion valve body			5	\$94.00	
28	17222000039769	Electronic control box subassembly			1	\$515.00	
28.1	12222000012372	Installation Plate of Electric Parts Subassembly			1	\$32.00	
28.2	17122000055770	Outdoor main control board subassembly			1	\$208.00	
28.1	12122000014342	Electronic installing box			1	\$11.00	
28.12	17122000062243	Inverter module subassembly			1	\$403.00	
28.17	12122000020943	Electronic installing box			1	\$16.00	
28.19	17401203000936	Compressor Wires Subassembly			1	\$50.00	
29	17222000037758	Terminal board subassembly			1	\$119.00	

This information is to be used by qualified HVAC technicians only and is subject to revision without notice

KMIR545-H219-2 - Parts List No. P5MR2404013

Above prices are subject to S&H charges

DATE 24-04

KMIR545-H219-2 SPARE PARTS LIST

No.	Part Number	Description	Specifications	Stock No.	Qty.	Price	Remarks
29.1	17400401003456	Wire joint			1	\$12.00	
29.1	17400401000084	Terminal			1	\$17.00	
29.1	17400401000135	Terminal			1	\$15.00	
29.2	12222300000729	Terminal instalation subassembly			1	\$12.00	
30	15122000013597	Suction pipe assembly			1	\$69.00	
30.1	17400516000848	Pressure Controller			1	\$26.00	YK-0.14/0.3-500
34	15422000017696	Liquid valve assembly			1	\$37.00	
34.1	15500208000047	Liquid valve			1	\$29.00	GYF-A-8-8N1
35	15422000007215	Gas valve assembly			1	\$166.00	
35.1	15500204000058	Gas Valve			2	\$28.00	DYF-B29N
35.1	15500204000021	Gas Valve			3	\$25.00	DYF-A28N
37	15122000029642	Radiator subassembly			1	\$119.00	
38	17402001000602	Crankcase electric heating strip			1	\$20.00	
39	17402002000466	Heater			1	\$67.00	
41	12100509000059	Drain Hose			1	\$3.00	
43	15422000021258	Electronic expansion valve subassembly			1	\$180.00	
43.1	15500213001405	Electronic expansion valve body			1	\$130.00	DPF(T01)3.2C
44	12222000013398	Waterproof Board			1	\$5.00	
47	11201007000142	Pipe Temperature Sensor			1	\$9.00	
48	16022000C24452	Trademark			1	\$1.00	
50	12222000007944	Rear net			1	\$34.00	

This information is to be used by qualified HVAC technicians only and is subject to revision without notice

KMIR545-H219-2 - Parts List No. P5MR2404013

Above prices are subject to S&H charges

DATE 24-04

KMIR545-H219-2 SPARE PARTS LIST

No.	Part Number	Description	Specifications	Stock No.	Qty.	Price	Remarks
52	15500303002546	Pipe joint subassembly			2	\$30.00	
52	15500303002544	Pipe joint subassembly			2	\$27.00	
52	15500303002545	Pipe joint subassembly			3	\$25.00	
52	15500303002547	Pipe joint subassembly			2	\$16.00	

This information is to be used by qualified HVAC technicians only and is subject to revision without notice

KMIR545-H219-2 - Parts List No. P5MR2404013

Above prices are subject to S&H charges

DATE 24-04