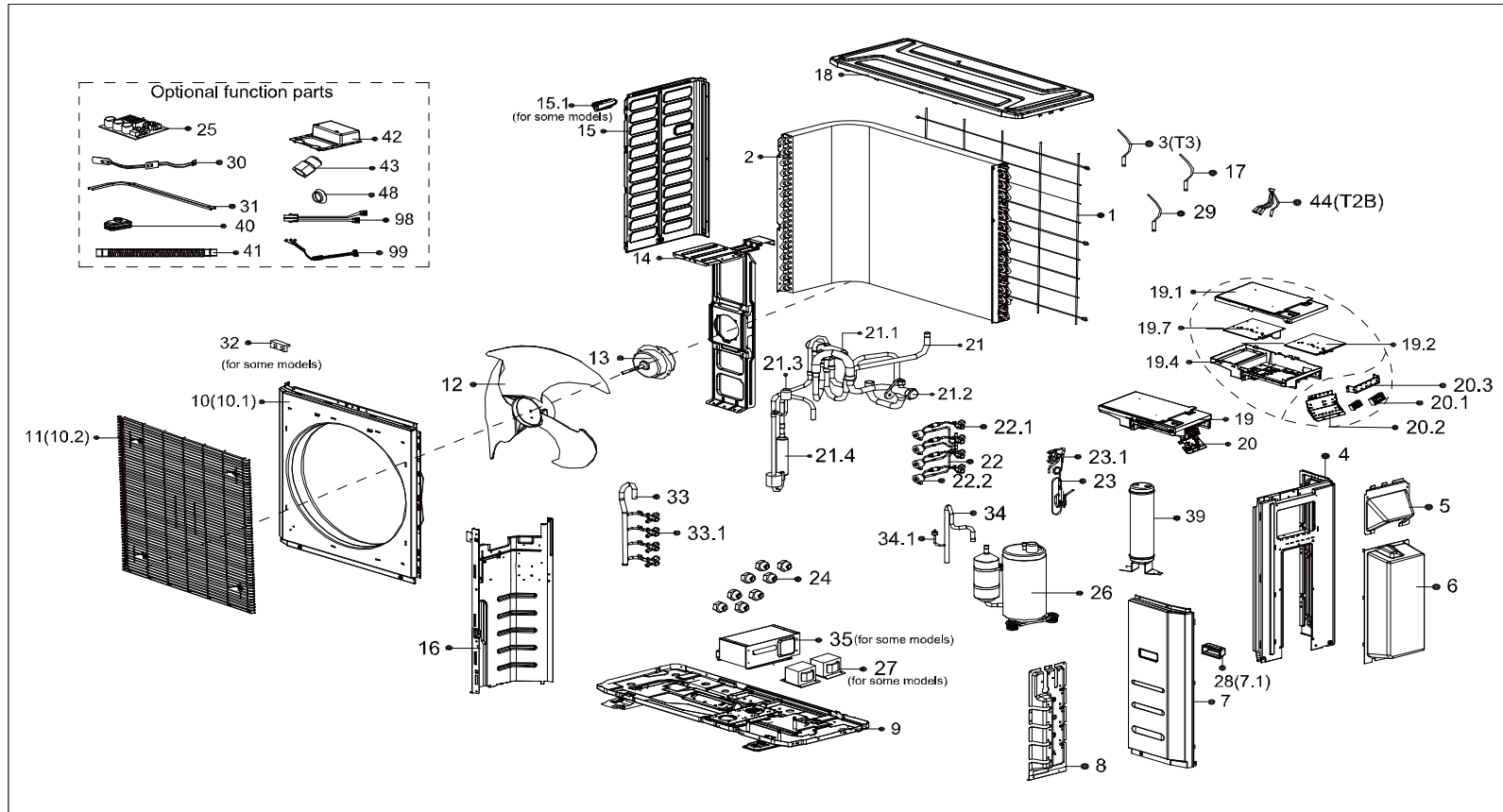


Exploded Diagram

Model Number: KMIR436-H217-2 | 62223-N4356608

Voltage: 208-230V - 1ph - 60Hz



This information is to be used by qualified HVAC technicians only and is subject to revision without notice

KMIR436-H217-2 - Drawing No. D5MR2404012

DATE 24-04

KMIR436-H217-2 SPARE PARTS LIST

No.	Part Number	Description	Specifications	Stock No.	Qty.	Price	Remarks
1	12222000006604	Rear net			1	\$19.00	
2	15822000014390	Condenser assembly			1	\$588.00	
3	11201007003442	Pipe Temperature Sensor			1	\$5.00	
4	12222000012226	Rear Right Clapboard Assembly			1	\$54.00	
5	12222000011085	Big handle assembly			1	\$15.00	
6	12122300000110	Water collector			1	\$19.00	
7	12222500A00135	Front Right Clapboard Assembly			1	\$42.00	
7.1	12100702000038	Handle			1	\$1.00	
8	12222000005282	Valve plate			1	\$28.00	
9	12222000005267	Chassis assembly			1	\$93.00	
10	12222000A01431	Front panel			1	\$92.00	
11	12222000014845	Air outlet grille			1	\$51.00	
12	12100105000084	Axial Flow Fan			1	\$39.00	ZL-560*139*12-3KN
13	11002015000247	Brushless DC Motor			1	\$146.00	ZKFN-120-8-2
14	12222500000547	Supporter subassembly of fan motor			1	\$48.00	
15	12222000006665	Left Side Plate Assembly of Cabinet			1	\$39.00	
15.1	12100701000033	Small handle			1	\$1.00	
16	12222200007795	Partition board assembly			1	\$34.00	
17	11201007003448	Room Temperature Sensor			1	\$4.00	
18	12222500000587	Top Cover Assembly			1	\$58.00	
19	17222300002648	Electronic control box subassembly			1	\$324.00	

This information is to be used by qualified HVAC technicians only and is subject to revision without notice

KMIR436-H217-2 - Parts List No. P5MR2404012

Above prices are subject to S&H charges

DATE 24-04

KMIR436-H217-2 SPARE PARTS LIST

No.	Part Number	Description	Specifications	Stock No.	Qty.	Price	Remarks
19.1	12122000006905	Cover of electronic control box			1	\$21.00	
19.1	12122300000170	Electronic installing box			1	\$30.00	
19.2	17122300003973	Main control board subassembly			1	\$126.00	
19.4	12122300000170	Electronic installing box			1	\$30.00	
19.7	17122000052007	Inverter module subassembly			1	\$312.00	
20	17222300000790	Terminal board subassembly			1	\$82.00	
20.1	17400401000084	Terminal			1	\$17.00	
20.1	17400401000135	Terminal			1	\$15.00	
20.2	12222300000033	Terminal Board			1	\$7.00	
20.3	12222300000032	Terminal Board			1	\$3.00	
21	15422000019432	4-way Valve Assembly			1	\$204.00	
21.1	15500216000361	Four-Way Valve			1	\$87.00	STF-02BN1
21.2	15500204000049	Gas valve			1	\$76.00	DYF-D-19-19N1
21.3	17400516000851	Pressure Controller			1	\$29.00	
21.4	15122000027837	Muffler subassembly			1	\$53.00	
22	15422300000364	Liquid valve assembly			1	\$273.00	
22.1	15500208000028	Liquid Valve			4	\$16.00	GYF-A28N
22.2	15500213000046	Electronic Expansion Valve Subassembly			4	\$71.00	DPF(TS)1.65C-63(L=900)
23	15422000016293	Liquid valve assembly			1	\$51.00	
23.1	15500208000047	Liquid valve			1	\$29.00	
24	15500406000010	Copper nut			3	\$7.00	

This information is to be used by qualified HVAC technicians only and is subject to revision without notice

KMIR436-H217-2 - Parts List No. P5MR2404012

Above prices are subject to S&H charges

DATE 24-04

KMIR436-H217-2 SPARE PARTS LIST

No.	Part Number	Description	Specifications	Stock No.	Qty.	Price	Remarks
24	15500406000012	Copper nut			1	\$9.00	
24	15500406000016	Copper nut			4	\$4.00	
26	11103020000719	DC Inverter Rotary Compressor			1	\$493.00	KTF310D43UMT
27	17400306000058	Reactor			1	\$60.00	R25027(AL)(J)
29	11201007003124	Discharge Temperature Sensor			1	\$8.00	
30	17402002000466	Heater			1	\$67.00	DJRG-150W-350-2
31	17402001000601	Crankcase electric heater			1	\$22.00	DJRD-390A-800-25W-2
33	15422300000365	Gas valve assembly			1	\$129.00	
33.1	15500204000021	Gas Valve			3	\$25.00	DYF-A28N
33.1	15500204000058	Gas Valve			1	\$28.00	DYF-B29N
34	15122300001024	Suction pipe assembly			1	\$58.00	
34.1	17400516000848	Pressure Controller			1	\$26.00	YK-0.14/0.3-500
39	15500508000315	Accumulator cylinder			1	\$63.00	ZYT-12
41	12100509000059	Drain Hose			1	\$3.00	
43	15500303002546	Pipe joint subassembly			1	\$30.00	
43	15500303002544	Pipe joint subassembly			1	\$27.00	
43	15500303002545	Pipe joint subassembly			3	\$25.00	
43	15500303002547	Pipe joint subassembly			1	\$16.00	
44	11201007000007	Pipe Temperature Sensor			1	\$7.00	
50	16022000C24452	Trademark			1	\$1.00	
99	17401203000939	Compressor wire subassembly			1	\$19.00	

This information is to be used by qualified HVAC technicians only and is subject to revision without notice

KMIR436-H217-2 - Parts List No. P5MR2404012

Above prices are subject to S&H charges

DATE 24-04