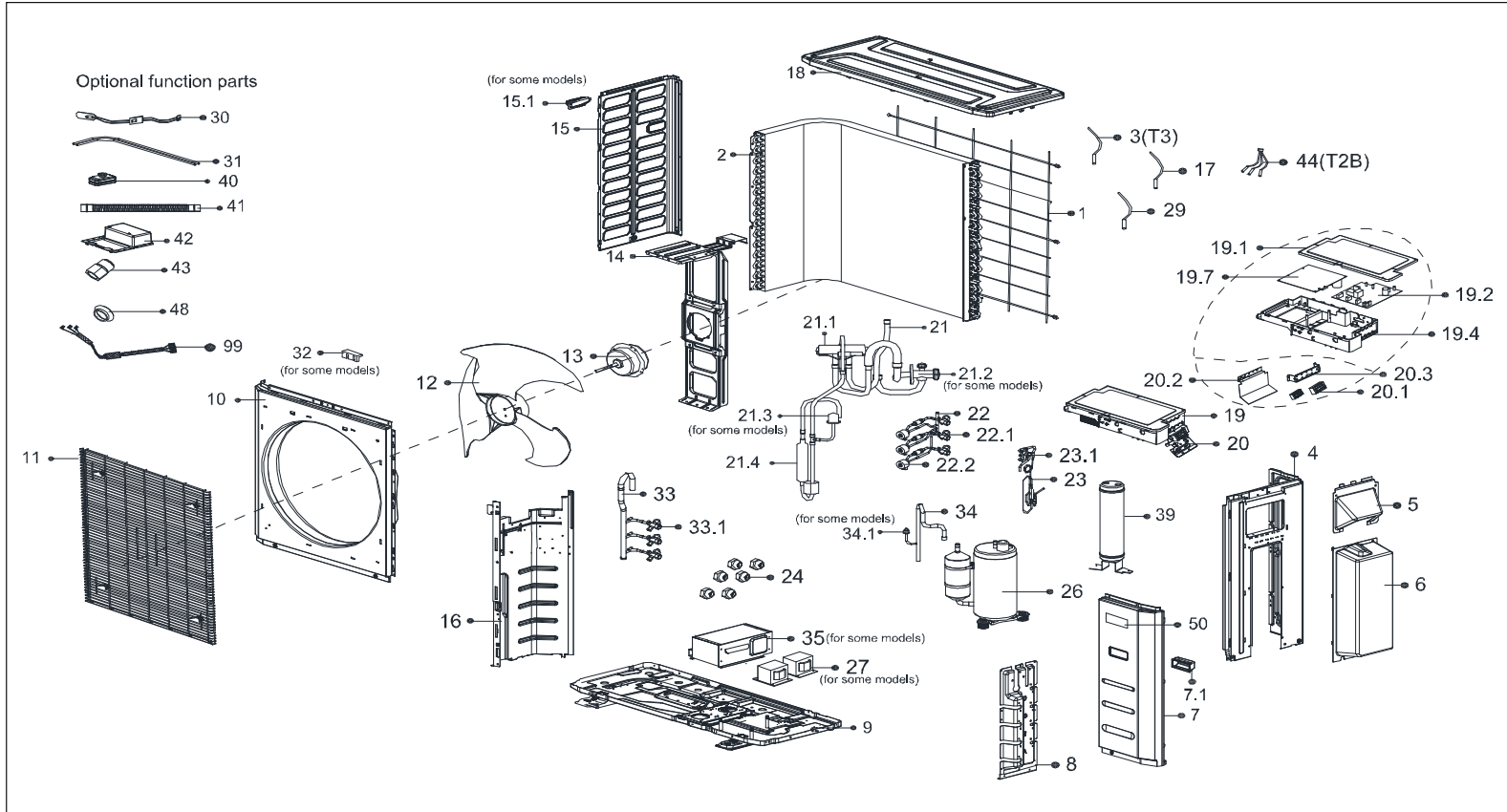


# Exploded View

**Model Number:** KMIR327-H217-2 | 62223-N4356607

**Voltage:** 208-230V - 1ph - 60Hz



This information is to be used by qualified HVAC technicians only and is subject to revision without notice

KMIR327-H217-2 - Drawing No. D5MR2404011

DATE 24-04

## KMIR327-H217-2 SPARE PARTS LIST

| No.  | Part Number    | Description                         | Specifications | Stock No. | Qty. | Price    | Remarks           |
|------|----------------|-------------------------------------|----------------|-----------|------|----------|-------------------|
| 1    | 12222000006604 | Rear net                            |                |           | 1    | \$19.00  |                   |
| 2    | 15822000014388 | Condenser assembly                  |                |           | 1    | \$421.00 |                   |
| 3    | 11201007003442 | Pipe Temperature Sensor             |                |           | 1    | \$5.00   |                   |
| 4    | 12222000012226 | Rear Right Clapboard Assembly       |                |           | 1    | \$54.00  |                   |
| 5    | 12222000011085 | Big handle assembly                 |                |           | 1    | \$15.00  |                   |
| 6    | 12122300000110 | Water collector                     |                |           | 1    | \$19.00  |                   |
| 7    | 12222500A00135 | Front Right Clapboard Assembly      |                |           | 1    | \$42.00  |                   |
| 7.1  | 12100702000038 | Handle                              |                |           | 1    | \$1.00   |                   |
| 8    | 12222000005282 | Valve plate                         |                |           | 1    | \$28.00  |                   |
| 9    | 12222000005267 | Chassis assembly                    |                |           | 1    | \$93.00  |                   |
| 10   | 12222000A01431 | Front panel                         |                |           | 1    | \$92.00  |                   |
| 11   | 12222000014845 | Air outlet grille                   |                |           | 1    | \$51.00  |                   |
| 12   | 12100105000084 | Axial Flow Fan                      |                |           | 1    | \$39.00  | ZL-560*139*12-3KN |
| 13   | 11002015000247 | Brushless DC Motor                  |                |           | 1    | \$146.00 | ZKFN-120-8-2      |
| 14   | 12222500001152 | Supporter subassembly of fan motor  |                |           | 1    | \$51.00  |                   |
| 15   | 12222000006665 | Left Side Plate Assembly of Cabinet |                |           | 1    | \$39.00  |                   |
| 15.1 | 12100701000033 | Small handle                        |                |           | 1    | \$1.00   |                   |
| 16   | 12222200007795 | Partition board assembly            |                |           | 1    | \$34.00  |                   |
| 17   | 11201007003448 | Room Temperature Sensor             |                |           | 1    | \$4.00   |                   |
| 18   | 12222500000587 | Top Cover Assembly                  |                |           | 1    | \$58.00  |                   |
| 19   | 17222300003888 | Electronic control box subassembly  |                |           | 1    | \$324.00 |                   |

This information is to be used by qualified HVAC technicians only and is subject to revision without notice

KMIR327-H217-2 - Parts List No. P5MR2404011

Above prices are subject to S&H charges

DATE 24-04

## KMIR327-H217-2 SPARE PARTS LIST

| No.  | Part Number     | Description                            | Specifications | Stock No. | Qty. | Price    | Remarks                |
|------|-----------------|--|----------------|-----------|------|----------|------------------------|
| 19.1 | 12122000006905  | Cover of electronic control box        |                |           | 1    | \$21.00  |                        |
| 19.1 | 12122300000170  | Electronic installing box              |                |           | 1    | \$30.00  |                        |
| 19.2 | 171223000006552 | Main control board subassembly         |                |           | 1    | \$124.00 |                        |
| 19.4 | 12122300000170  | Electronic installing box              |                |           | 1    | \$30.00  |                        |
| 19.7 | 17122000052022  | Inverter module subassembly            |                |           | 1    | \$312.00 |                        |
| 20   | 17222300000729  | Terminal board subassembly             |                |           | 1    | \$70.00  |                        |
| 20.1 | 17400401000135  | Terminal                               |                |           | 2    | \$15.00  |                        |
| 20.2 | 12222300000033  | Terminal Board                         |                |           | 1    | \$7.00   |                        |
| 20.3 | 12222300000032  | Terminal Board                         |                |           | 1    | \$3.00   |                        |
| 21   | 15422300000744  | 4-way Valve Assembly                   |                |           | 1    | \$228.00 |                        |
| 21.1 | 15500216000361  | Four-Way Valve                         |                |           | 1    | \$87.00  | STF-02BN1              |
| 21.2 | 15500204000049  | Gas valve                              |                |           | 1    | \$76.00  | DYF-D-19-19N1          |
| 21.3 | 17400516000851  | Pressure Controller                    |                |           | 1    | \$29.00  |                        |
| 21.4 | 15122000031753  | Muffler subassembly                    |                |           | 1    | \$88.00  |                        |
| 22   | 15422300000404  | Liquid valve assembly                  |                |           | 1    | \$210.00 |                        |
| 22.1 | 15500208000028  | Liquid Valve                           |                |           | 3    | \$16.00  | GYF-A28N               |
| 22.2 | 15500213000046  | Electronic Expansion Valve Subassembly |                |           | 3    | \$71.00  | DPF(TS)1.65C-63(L=900) |
| 23   | 15422000016292  | Liquid valve assembly                  |                |           | 1    | \$50.00  |                        |
| 23.1 | 15500208000047  | Liquid valve                           |                |           | 1    | \$29.00  |                        |
| 24   | 15500406000010  | Copper nut                             |                |           | 3    | \$7.00   |                        |
| 24   | 15500406000016  | Copper nut                             |                |           | 3    | \$4.00   |                        |

This information is to be used by qualified HVAC technicians only and is subject to revision without notice

KMIR327-H217-2 - Parts List No. P5MR2404011

Above prices are subject to S&H charges

DATE 24-04

## KMIR327-H217-2 SPARE PARTS LIST

| No.  | Part Number    | Description                   | Specifications | Stock No. | Qty. | Price    | Remarks             |
|------|----------------|-------------------------------|----------------|-----------|------|----------|---------------------|
| 26   | 11103020006879 | DC Inverter rotary compressor |                |           | 1    | \$345.00 | KTM240D43UKT        |
| 27   | 17400306000058 | Reactor                       |                |           | 1    | \$60.00  | R25027(AL)(J)       |
| 29   | 11201007003124 | Discharge Temperature Sensor  |                |           | 1    | \$8.00   |                     |
| 30   | 17402002000466 | Heater                        |                |           | 1    | \$67.00  | DJRG-150W-350-2     |
| 31   | 17402001000601 | Crankcase electric heater     |                |           | 1    | \$22.00  | DJRD-390A-800-25W-2 |
| 33   | 15422300000406 | Gas valve assembly            |                |           | 1    | \$121.00 |                     |
| 33.1 | 15500204000021 | Gas Valve                     |                |           | 3    | \$25.00  | DYF-A28N            |
| 34   | 15122000029382 | Suction pipe assembly         |                |           | 1    | \$78.00  |                     |
| 34.1 | 17400516000848 | Pressure Controller           |                |           | 1    | \$26.00  | YK-0.14/0.3-500     |
| 39   | 15500508000315 | Accumulator cylinder          |                |           | 1    | \$63.00  | ZYT-12              |
| 41   | 12100509000059 | Drain Hose                    |                |           | 1    | \$3.00   |                     |
| 43   | 15500303002545 | Pipe joint subassembly        |                |           | 3    | \$25.00  |                     |
| 44   | 11201007000044 | Pipe Temperature Sensor       |                |           | 1    | \$7.00   |                     |
| 50   | 16022000C24452 | Trademark                     |                |           | 1    | \$1.00   |                     |
| 99   | 17401203000939 | Compressor wire subassembly   |                |           | 1    | \$19.00  |                     |

This information is to be used by qualified HVAC technicians only and is subject to revision without notice

KMIR327-H217-2 - Parts List No. P5MR2404011

Above prices are subject to S&H charges

DATE 24-04