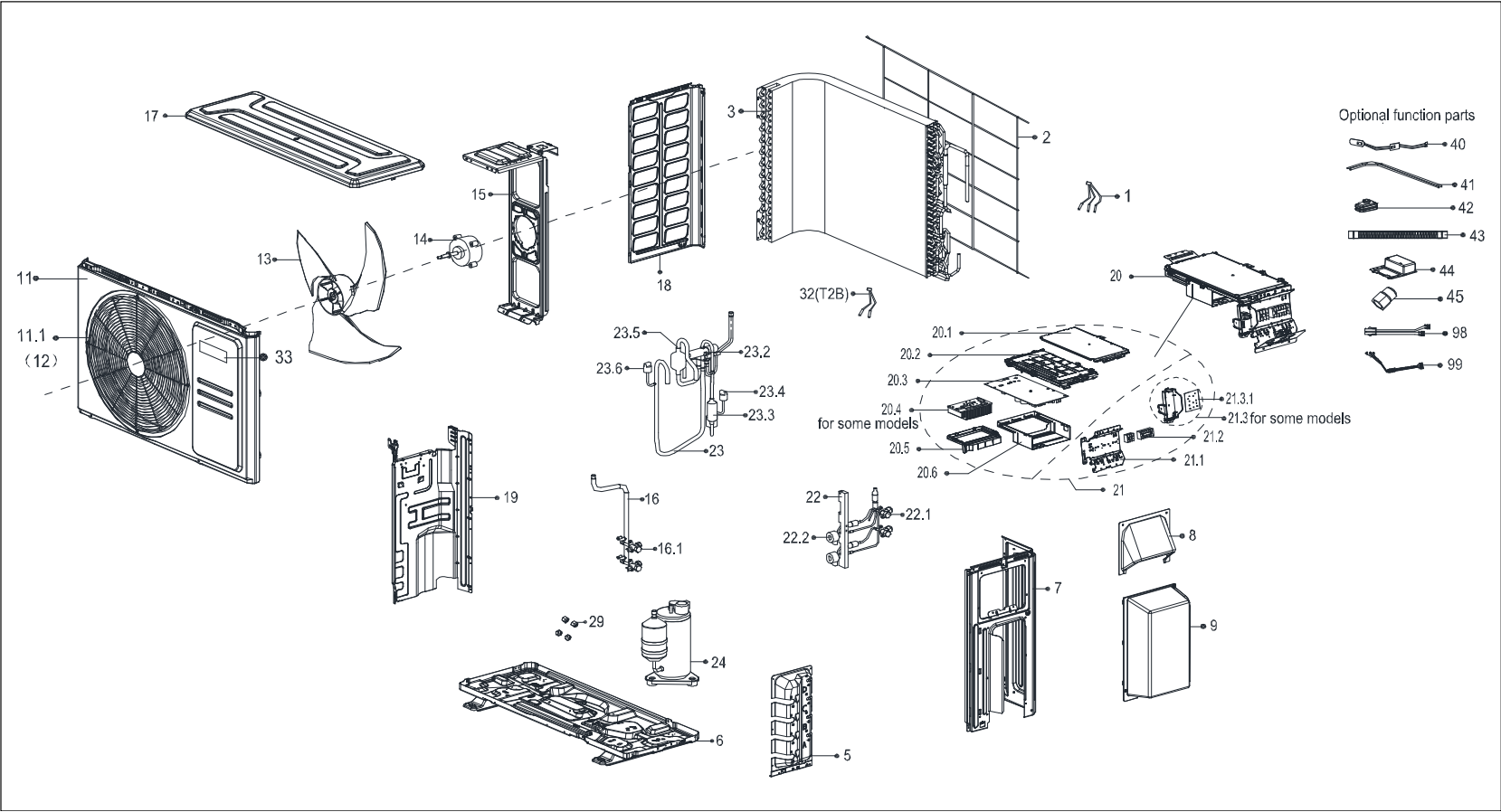


Exploded Diagram

Model Number: KMIR218-H221-2 | 62223-N4356606

Voltage: 208-230V - 1ph - 60Hz



This information is to be used by qualified HVAC technicians only and is subject to revision without notice

KMIR218-H221-2 - Drawing No. D5MR2404010

DATE 24-04

KMIR217-H221-2 SPARE PARTS LIST

No.	Part Number	Description	Specifications	Stock No.	Qty.	Price	Remarks
1	11201011000187	Combination Sensor			1	\$13.00	
2	12222000013085	Rear Net			1	\$13.00	
3	15822000009796	Condenser assembly			1	\$377.00	
5	12222000015070	Valve plate			1	\$22.00	
6	12222000014865	Chassis assembly			1	\$76.00	
7	12222000015065	Right Clapboard Assembly			1	\$35.00	
8	12222300000039	Big Handle Assembly			1	\$14.00	
9	12122000028842	Water collector			1	\$16.00	
11	12222000013468	Front panel			1	\$99.00	
11.1	12222000013469	Air outlet grille			1	\$38.00	
13	12100105000841	Axial Flow Fan			1	\$35.00	ZL-535*133*12-3KFN
14	11002015000366	Brushless DC Motor			1	\$125.00	ZKFN-80-8-3
15	12222000012371	Motor Bracket			1	\$28.00	
16	15422000019934	Gas valve assembly			1	\$80.00	
16.1	15500204000021	Gas Valve			2	\$25.00	DYF-A28N
17	12222000013465	Top cover assembly			1	\$48.00	
18	12222000013472	Left supporter			1	\$24.00	
19	12222000015066	Partition board assembly			1	\$26.00	
20	17222300002708	Electronic control box subassembly			1	\$331.00	
20.1	12222000015067	Cover of electronic control box			1	\$16.00	
20.2	12122000028843	Electronic installing box			1	\$15.00	

This information is to be used by qualified HVAC technicians only and is subject to revision without notice

KMIR218-H221-2 - Parts List No. D5MR2404010

Above prices are subject to S&H charges

DATE 24-04

KMIR217-H221-2 SPARE PARTS LIST

No.	Part Number	Description	Specifications	Stock No.	Qty.	Price	Remarks
20.3	17122300004172	Main control board subassembly			1	\$286.00	
20.5	12122000028844	Support of electronic control box			1	\$5.00	
20.6	12222000015068	Electronic installing box subassembly			1	\$14.00	
21	17222000035177	Terminal board subassembly			1	\$59.00	
21.1	12222000015069	Terminal board			1	\$12.00	
21.2	17400401000037	Terminal			1	\$13.00	
21.2	17400401000085	Wire Joint			1	\$16.00	
21.3	17222000035178	Key board box subassembly			1	\$22.00	
21.3.1	17122000053510	Key board subassembly			1	\$21.00	
22	15422000019933	Liquid valve assembly			1	\$161.00	
22.1	15500208000028	Liquid Valve			2	\$16.00	GYF-A28N
22.2	15500213001909	Electronic Expansion Valve			2	\$70.00	DPF(TS)1.65C-63(L=450)
23	15422000023098	4-way valve assembly			1	\$221.00	
23.2	15500216000361	Four-Way Valve			1	\$87.00	STF-02BN1
23.3	15122000028220	Muffler subassembly			1	\$55.00	
23.4	17400516000851	Pressure Controller			1	\$29.00	YK-4.4/3.2-500-1
23.5	15122000031679	Muffler subassembly			1	\$71.00	
23.6	17400516000850	Pressure switch			1	\$28.00	YK-0.14/0.3-200
24	11103020006440	DC Inverter Rotary Compressor			1	\$305.00	KTN150D30UFZA
29	15500406000010	Copper nut			2	\$7.00	TLM-B02
29	15500406000016	Copper nut			2	\$4.00	TLM-A01

This information is to be used by qualified HVAC technicians only and is subject to revision without notice

KMIR218-H221-2 - Parts List No. D5MR2404010

Above prices are subject to S&H charges

DATE 24-04

KMIR217-H221-2 SPARE PARTS LIST

No.	Part Number	Description	Specifications	Stock No.	Qty.	Price	Remarks
32	11201007000259	Pipe Temperature Sensor			1	\$7.00	
33	16022000C24452	Trademark			1	\$1.00	
40	17402001000603	Crankcase Electric Heating Strip			1	\$17.00	
41	17402002000544	tube type electric heater			1	\$66.00	
43	12100509000059	Drain Hose			1	\$3.00	
45	15500303002545	Pipe joint subassembly			2	\$25.00	
99	17401203000751	Compressor Wires Subassembly			1	\$14.00	

This information is to be used by qualified HVAC technicians only and is subject to revision without notice

KMIR218-H221-2 - Parts List No. D5MR2404010

Above prices are subject to S&H charges

DATE 24-04