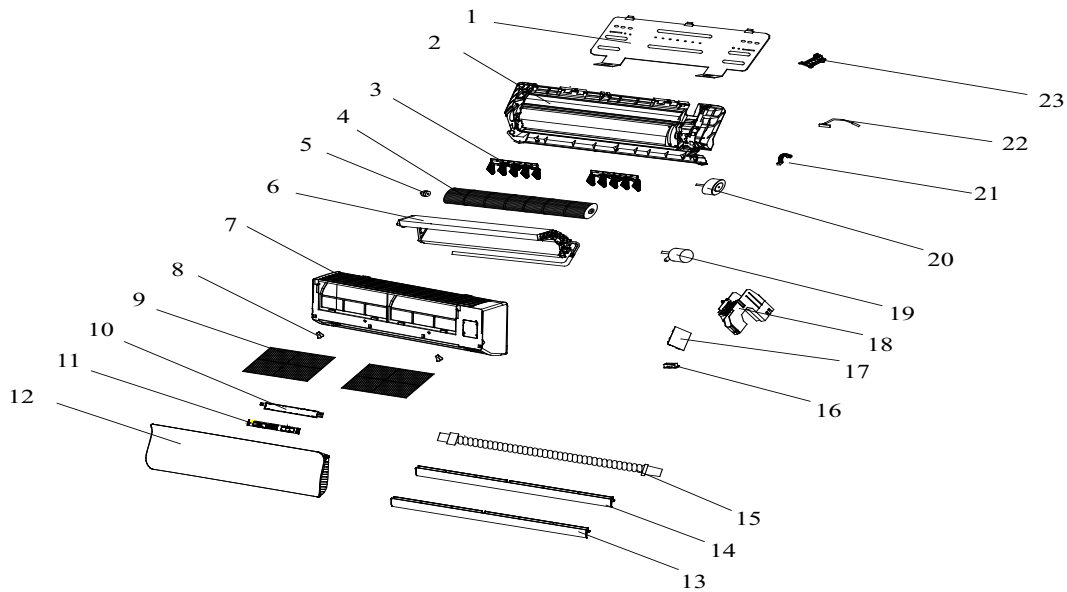


Klimaire Exploded Diagram - Parts List View

INDOOR UNIT

Model: KIWU36H2-1A

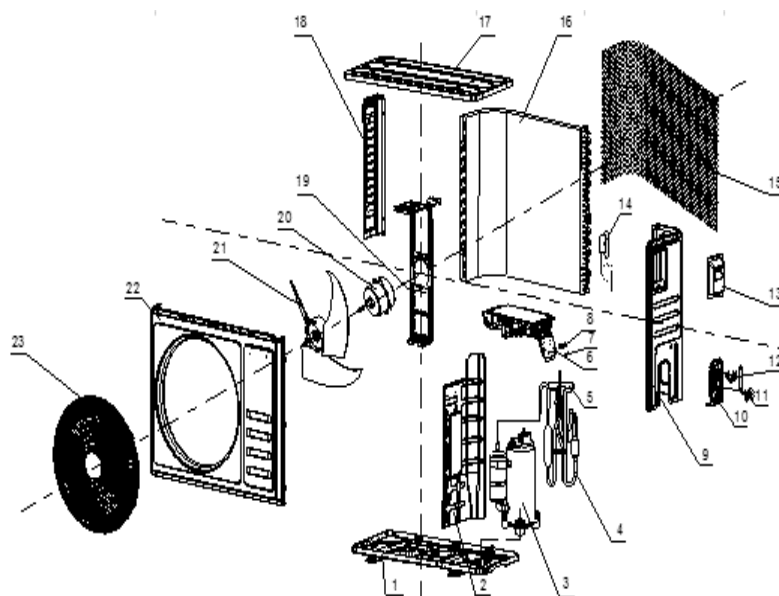


No.	Part No.	Part Name	Qty	Price(USD)
1	41109-000084	Installation Plate	1	59.4
2	41102-000609	Base	1	156.3
3	41101-000374	Vertical Vane Assembly	3	1.9
4	42004-000242	Cross Fan	1	94.3
5	42007-000009	Bearing Mount	1	5.2
6	92011-010634	Evaporator	1	68.6
7	41106-014054	Face Frame	1	142.9
8	41108-000066	Screw Cover	3	1.2
9	42008-000230	Air Filter	2	22.7
10	42003-000016	Display PCB Box	1	5.0
11	31102-000109	Display PCB	1	42.0
12	41106-020313	Front Panel	1	126.0
13	41103-000643	Up Vane	1	41.0
14	#N/D	Down Vane	1	#N/D
15	42009-000011	Drainage Hose	1	12.1
16	42001-000103	Cable Clamp	1	1.2
17	31101-002056	Main PCB	1	24.6
18	41105-000427	Electrical Box	1	63.6
19	29901-000078	Vane Motor	1	36.9
	22001-000360	Vertical Motor	1	28.5
20	22001-000240	Indoor Motor	1	29.1
21	41108-000203	Indoor Motor Cover	1	14.6
22	10104-100022	Indoor Sensor Assembly	1	12.9
23	41101-000240	In And Out Pipe Fixer	1	5.0
24	22013-004238	Remote Controller	1	71.6
25	32001-000140	WIFI module	1	73.9
26	#N/D	Indoor Carton	1	#N/D
27	A1102-000054	Left Foaming	1	26.4
28	A1102-000055	Right Foaming	1	26.4
29	A1101-017788	Middle Pasteboard Supporter	1	15.9

Klimaire Exploded Diagram - Parts List View

OUTDOOR UNIT

Model: KOIU36H2-1



No.	Part No.	Part Name	Qty	PRICE(USD)
1	41202-000530	Base	1	143.0
2	41208-001146	Partition plate	1	51.7
3	95017-000031	Compressor and accessories	1	419.0
4	92007-018645	4-way valve assembly	1	258.3
5	#N/D	4-way valve	1	#N/D
6	31201-002772	Outdoor PCB assembly	1	#N/D
7	42001-000036	Cable clamp	1	0.6
	42001-000038	Cable clamp	1	0.6
8	11304-100117	Terminal	1	15.6
9	41205-000801	Right plate	1	#N/D
10	41204-000018	Valve supporter	1	12.9
11	92008-000142	Three-way valve	1	54.0
12	92008-000051	Two-way valve	1	18.0
13	41211-000109	Electrical box cover	1	17.2
14	92007-018646	expansion valve	1	28.6
15	42011-000419	Grille	1	14.5
16	92011-010301	Condenser	1	640.1
17	41207-000048	Top cover	1	97.4
18	41205-000651	Left Plate	1	40.5
19	41203-000115	Outdoor motor supporter	1	73.3
20	22001-000147	Outdoor motor	1	22.7
21	42004-000091	Propeller fan	1	85.8
22	41206-000076	Front plate	1	#N/D
23	42011-000031	Fan guard	1	52.9
24	10104-100058	Outdoor Temp. sensor	1	15.4
25	A1201-012669	Base carton	1	40.2
26	#N/D	Cabinet carton	1	#N/D
27	A1202-000086	Base foaming	1	29.0
28	A1202-000085	Cover foaming	1	18.3