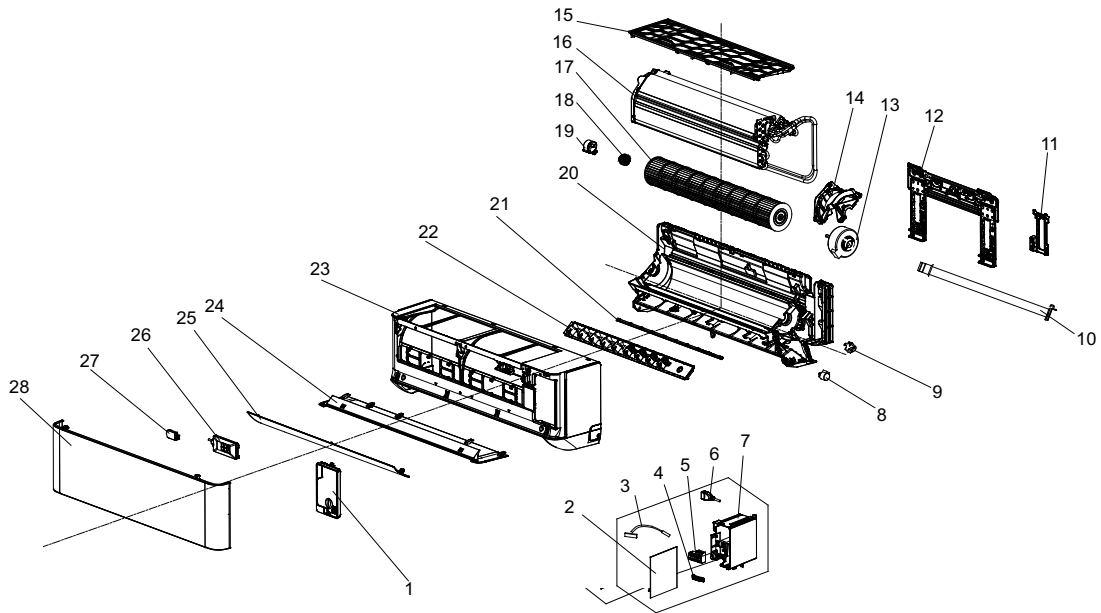


Klimaïre Exploded Diagram - Parts List View

INDOOR UNIT

Model: KIWU18H2-1T

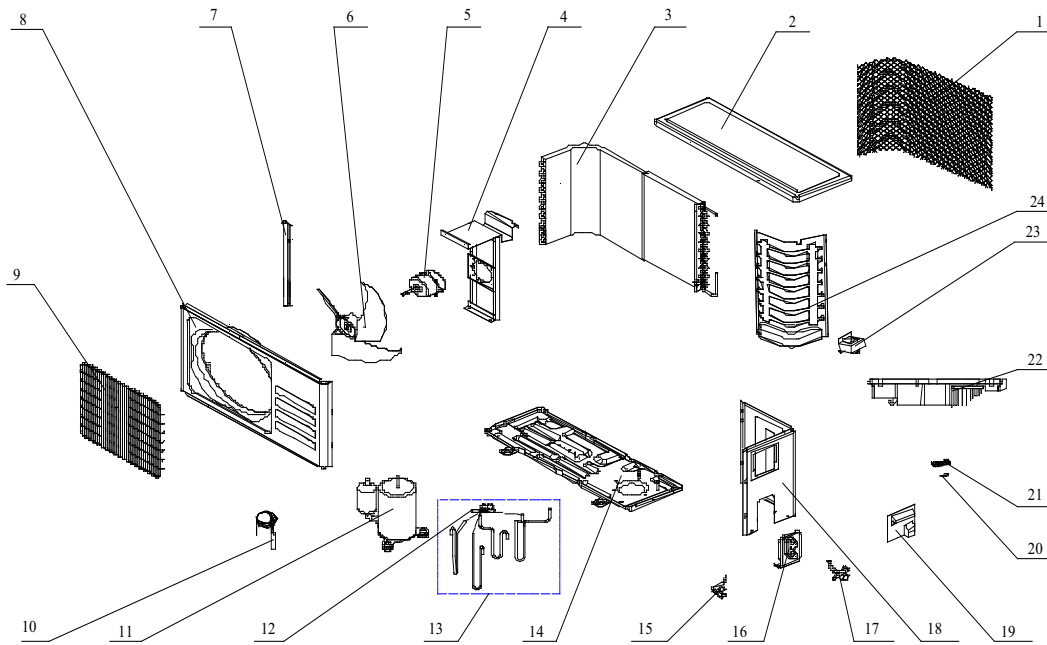


No.	Part No.	Part Name	Qty	Price(USD)
1	41211-000079	Electrical Box Cover	1	14.1
2	31101-001775	Main PCB	1	152.7
3	10104-100014	Indoor Sensor Assembly	1	11.7
4	42001-000103	Cable Clamp	1	1.0
5	11304-100063	Terminal	1	13.7
6	22007-001028	WIFI Connector	1	12.9
7	41105-000427	Electrical Box	1	#N/D
8	22001-000360	Vane Motor	1	31.0
9	29901-000078	Step Motor	1	30.7
10	41101-000240	In And Out Pipe Cover	1	4.2
11	42009-000011	Drainage Hose	1	12.1
12	41109-000073	Installation Plate	1	28.0
13	22001-000240	Indoor Motor	1	182.2
14	41108-000009	Indoor Motor Cover	1	13.3
15	42008-000175	Air Filter	2	41.6
16	92011-008753	Evaporator	1	311.8
17	42004-000213	Cross Fan	1	73.0
18	42007-000009	Bearing Mount	1	5.2
19	41101-000251	Bearing Mount Holder	1	0.8
20	41102-000557	Base	1	158.3
21	41101-000373	Step Motor Connect Rod	1	7.4
22	#N/D	Soft Wind Vane	18	#N/D
23	41106-003991	Face Frame Assembly	1	114.9
24	41101-000388	Front shroud	1	29.2
25	41103-000496	Vane	1	31.5
26	32099-006472	Display PCB	1	54.1
27	32001-000269	WIFI PCB	1	76.6
28	41106-020312	Panel	1	80.6
29	22013-005784	Remote Controller	1	52.5
30	#N/D	Indoor Carton	1	#N/D
31	A1102-000003	Left Foaming	1	12.9
32	A1102-000004	Right Foaming	1	13.3

Klimaire Exploded Diagram - Parts List View

OUTDOOR UNIT

Model: KOIU18H2-1



No.	Part No.	Part Name	Qty	Price(USD)
1	42011-000187	Grille	1	29.3
2	41207-000028	Top Cover	1	67.5
3	92011-008829	Condenser	1	325.7
4	41203-000032	Outdoor Motor Supporter	1	51.1
5	22001-000147	Outdoor Motor	1	170.4
6	42004-000105	Propeller Fan	1	74.4
7	41205-000117	Left grille supporter	1	28.2
8	41206-000058	Front Plate	1	94.5
9	42011-000039	Fan Guard	1	52.0
10	92007-010561	Capillary Assembly	1	28.8
11	92014-000804	Compressor	1	306.9
12	#N/D	4-way Valve	1	#N/D
13	92007-010836	4-way Valve Assembly	1	229.4
14	41202-000408	Base	1	98.2
15	92008-000051	Two-way Valve	1	18.0
16	41204-000018	Valve Supporter	1	12.9
17	92008-000141	Three-way Valve	1	36.2
18	41205-000088	Right Plate	1	52.5
19	41211-000109	Electrical Box Cover	1	17.2
20	42001-000036	Cable clamp	1	0.6
21	11304-100045	Terminal	1	15.6
22	31201-002347	Outdoor PCB Assembly	1	423.7
23	#N/D	Inductor	1	#N/D
24	41208-000153	Partition plate	1	44.2
25	10104-100145	Pipe Temp. sensor and outdoor	1	15.4
26	#N/D	Discharge Temp. sensor	1	#N/D
28	A2007-000932	Base carton	1	46.3
29	#N/D	Cabinet Carton	1	#N/D
30	A1202-000030	Base Foaming	1	27.7
31	41110-000204	Cover Forming	1	29.3