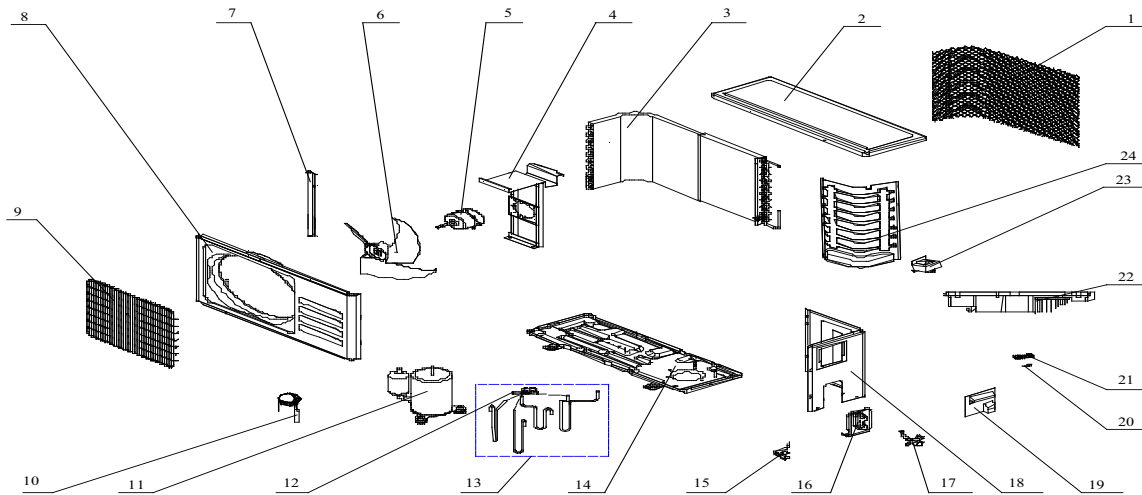


Klimaire Exploded Diagram - Parts List View

OUTDOOR UNIT

Model: KOIU12H2-1

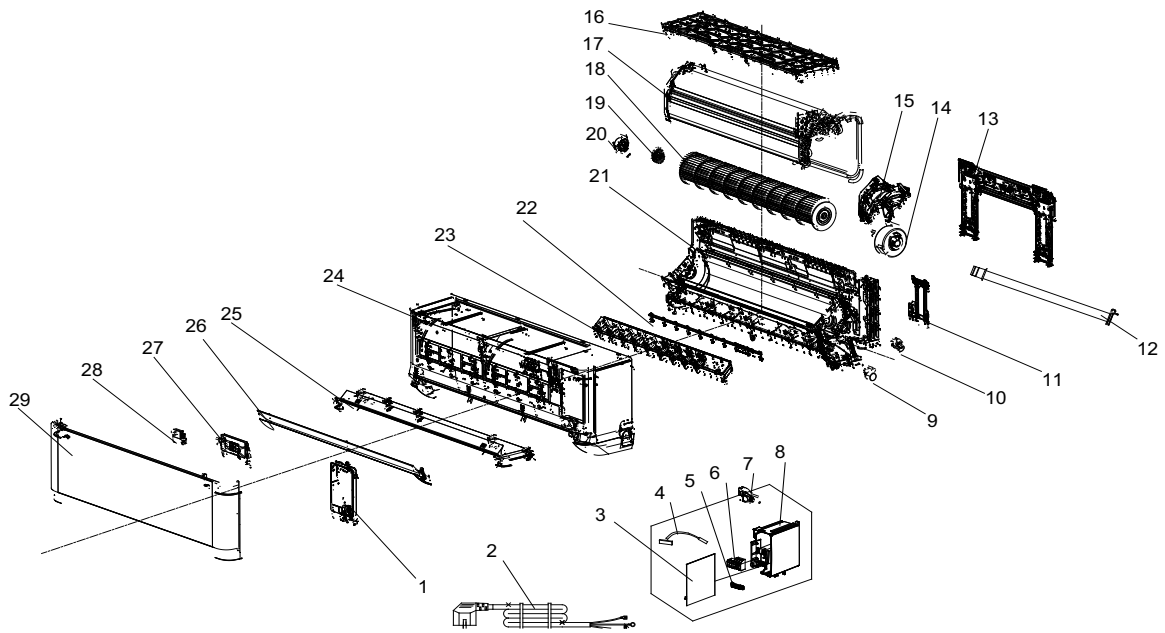


No.	Part No.	Part Name	Qty	Price(USD)
1	42011-000185	Grille	1	29.5
2	41207-000040	Top Cover	1	39.0
3	92011-004821	Condenser	1	358.1
4	41203-000047	Outdoor Motor Supporter	1	20.5
5	22001-000493	Outdoor Motor	1	127.5
6	42004-000106	Propeller Fan	1	29.9
7	41205-000120	Left grille supporter	1	23.4
8	41206-000059	Front Plate	1	64.7
9	42011-000041	Fan Guard	1	38.1
10	92007-011169	Capillary Assembly	1	#N/D
11	92014-000760	Compressor	1	296.4
12	#N/D	4-way Valve	1	#N/D
13	92007-014602	4-way Valve Assembly	1	155.9
14	41202-000228	Base	1	67.4
15	92008-000051	Two-way Valve	1	18.0
16	41204-000018	Valve Supporter	1	12.9
17	92008-000146	Three-way Valve	1	54.7
18	41205-000873	Right Plate	1	29.6
19	41211-000153	Electrical Box Cover	1	17.6
20	42001-000036	Cable clamp	1	0.6
21	11304-100045	Terminal	1	15.6
22	31201-002373	Outdoor PCB Assembly	1	262.9
23	#N/D	Inductor	1	#N/D
24	41208-000143	Partition plate	1	26.8
25	10104-100136	Pipe Temp. Sensor. outdoor Temp. Sensor. Discharge Temp.	1	#N/D
26	#N/D	Discharge Temp. sensor	1	#N/D
27	#N/D	Compressor Capacitor	1	#N/D
28	A2005-000536	Base carton	1	26.2
29	#N/D	Cabinet Carton	1	#N/D
30	A1202-000041	Base Foaming	1	30.2
31	41213-000032	Cover Forming	1	25.7

Klimaire Exploded Diagram - Parts List View

INDOOR UNIT

Model: KIWU12H2-1T



No.	Part No.	Part Name	Qty	Price
1	41211-000079	Electrical Box Cover	1	#N/D
3	31101-001797	Main PCB	1	157.7
4	10104-100014	Indoor Sensor Assembly	1	11.7
5	42001-000103	Cable Clamp	1	1.0
6	11304-100063	Terminal	1	13.7
7	22007-001028	WIFI Connector	1	12.9
8	41105-000427	Electrical Box	1	53.0
9	22001-000313	Vane Motor	1	18.5
10	29901-000078	Step Motor	1	30.7
11	41101-000354	In And Out Pipe Cover	1	3.9
12	42009-000011	Drainage Hose	1	12.1
13	41109-000075	Installation Plate	1	29.8
14	22001-000409	Indoor Motor	1	158.6
15	41108-000153	Indoor Motor Cover	1	10.3
16	41108-000154	Air Filter	2	31.3
17	92011-008764	Evaporator	1	273.9
18	42004-000204	Cross Fan	1	58.5
19	42007-000009	Bearing Mount	1	5.2
20	41101-000251	Bearing Mount Holder	1	1.4
21	41199-004856	Base	1	133.2
22	41101-000400	Step Motor Connect Rod	1	6.6
23	41101-000347	Vertical Vane Assembly	2	1.8
24	41106-004167	Face Frame	1	106.3
25	41106-004049	Front Cover Panel	1	28.9
26	41103-000507	Vane	1	24.7
27	31102-000282	Display PCB	1	54.2
28	32001-000269	WIFI Module	1	76.6
29	41106-020311	Panel	1	65.0
30	22013-005784	Remote Controller	1	52.5
31	#N/D	Indoor Carton	1	#N/D
32	A1102-000005	Left Foaming	1	10.7
33	A1102-000009	Right Foaming	1	12.3