

KIWQ-KOIQ

SERIES

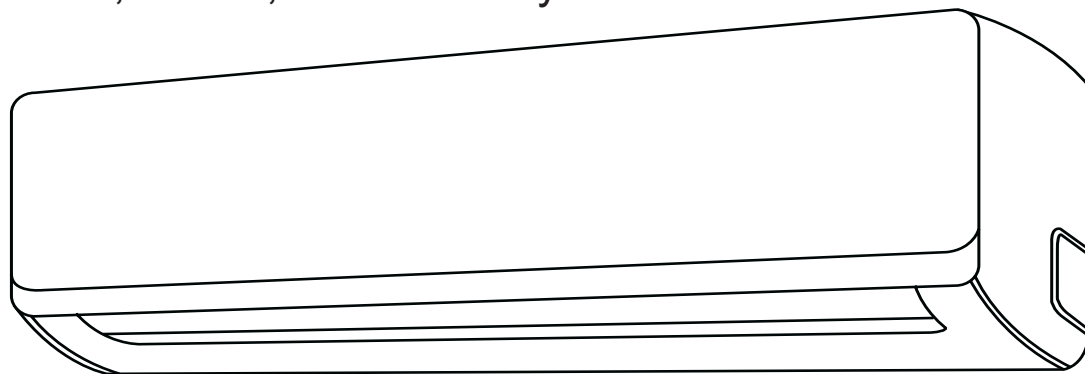
DUCTLESS MINI SPLIT SYSTEM
AIR CONDITIONER / HEAT PUMP

Service Manual

Inverter Quick Connect

UP TO SEER2 24 - HSPF2 10

For 9,000-36,000 BTU/h Systems



Models Covered:

Indoor Unit

KIWQ09H1-45T
KIWQ12H1-45T
KIWQ12H2-45T
KIWQ18H2-45T
KIWQ24H2-45T
KIWQ36H2-45T

Outdoor Unit

KOIQ09H1-45T
KOIQ12H1-45T
KOIQ12H2-45T
KOIQ18H2-45T
KOIQ24H2-45T
KOIQ36H2-45T

KLIMAIRE[®]
Mark of Superior Quality

IMPORTANT NOTE:

Read this manual carefully before installing or operating your new air conditioning unit. Be sure to keep this manual for future reference. For more information, please visit www.klimairst.com



Scan the QR code to visit our Help Center for installation guides, manuals, videos and more.



S1IQ2603

Part I Technical Information	2
1. Important Notice.....	3
2.Product Dimensions.....	4
3. Refrigeration cycle diagram	5
4. Electric Diagram	6
4.1 Wiring diagram	6
4.2 PCB LAOUT	10
5. Unit Control	16
5.1 Remote controller	16
5.2 Unit Control	17
PART II Installation and Maintenance	22
1. Notes for installation and maintenance.....	22
2. Installation	31
2.1 Installation Dimension Diagram	31
2.2 Accessory.....	32
2.3 Position	33
2.4 Electricity and wiring.....	33
2.5 IDU Installation	33
2.6 ODU Installation	36
2.7 Vacuum and gas leakage test	37
2.8 Final test.....	37
3. Maintenance	38
3.1 Failure code	38
3.2 Troubleshooting.....	40
4. Disassembly IDU & ODU	63
4.1. IDU Disassembly	63
4.2 ODU Assembly	67
APPENDIX.....	72
Appendix 1 The comparison table of Celsius-Fahrenheit temperature.....	72
Appendix 2 The Pipe length and Gas charging.....	72
Appendix 3 Pipes Flaring.....	73
Appendix 4 THERMISTOR TEMPERATURE CHARACTERISTICS	75

Part I Technical Information

1. Important Notice

This service manual is intended for use by individuals possessing adequate backgrounds of electrical, electronic and mechanical experience. Any attempt to repair the appliance may result in personal injury and property damage. The manufacturer or seller cannot be responsible for the interpretation of this information, nor can it assume any liability in connection with its use.

The information, specifications and parameter are subject to change due to technical modification or improvement without any prior notice. The accurate specifications are presented on the nameplate label.

How to order spare parts

To ensure that you can place an accurate order, please provide the following information:

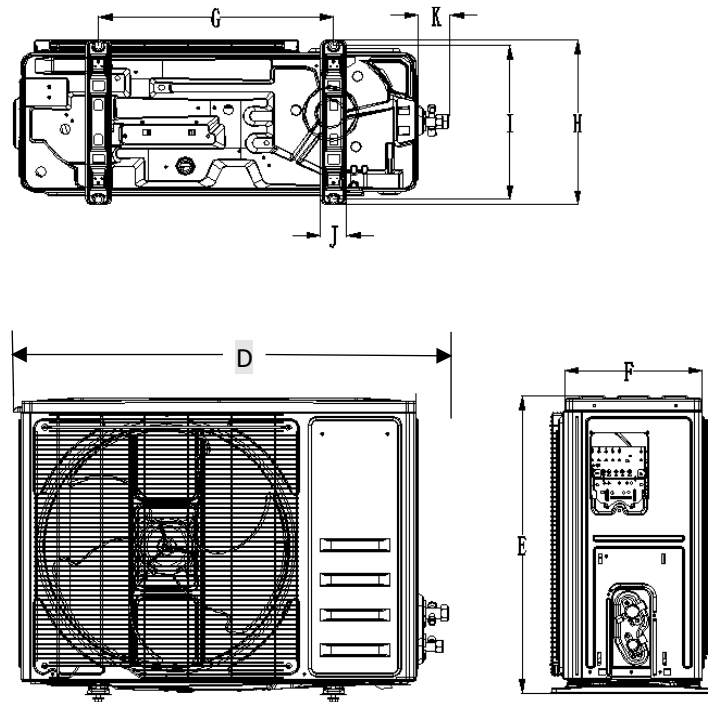
1. Model Number of IDU and ODU
2. Item number in exploded diagram
3. Part Number
4. The quantity you want to order

2.Product Dimensions

Indoor Unit:



Outdoor Unit:

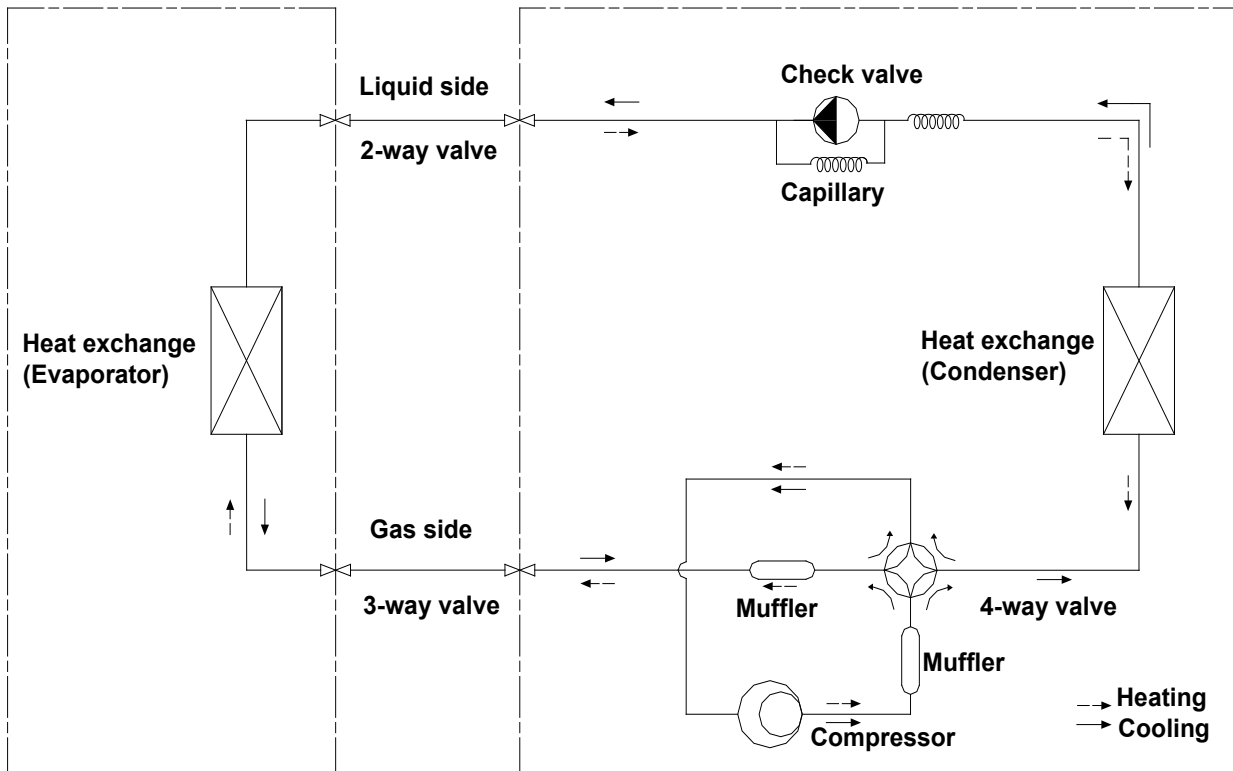


Model	Indoor unit(mm/inch)			Outdoor unit(mm/inch)							
	A	B	C	D	E	F	G	H	I	J	K
KIWQ09H2-45T/KOIQ09H2-45T	32.28	7.68	12.05	31.89	21.61	9.96	17.08	12.01	11.22	1.89	2.28
KIWQ09H1-45T/KOIQ09H1-45T	32.28	7.68	12.05	31.89	21.61	9.96	17.08	12.01	11.22	1.89	2.28
KIWQ12H2-45T/KOIQ12H2-45T	36.22	7.68	12.05	31.89	21.61	9.96	17.08	12.01	11.22	1.89	2.28
KIWQ12H1-45T/KOIQ12H1-45T	36.22	7.68	12.05	31.89	21.61	9.96	17.08	12.01	11.22	1.89	2.28
KIWQ18H2-45T/KOIQ18H2-45T	43.19	8.74	13.07	36.50	27.52	12.83	23.07	14.96	13.7	2.16	2.2
KIWQ24H2-45T/KOIQ24H2-45T	43.19	8.74	13.07	38.50	31.61	14.13	23.9	16.57	15.35	2.36	2.48
KIWQ36H2-45T/KOIQ36H2-45T	46.89	10.16	14.17	38.50	31.61	14.13	23.9	16.57	15.35	2.36	2.48

Note: "D" is the dimension including the valve cover.

3. Refrigeration cycle diagram

KIWQ09H2-45T/KOIQ09H2-45T
KIWQ09H1-45T/KOIQ09H1-45T
KIWQ12H2-45T/KOIQ12H2-45T
KIWQ12H1-45T/KOIQ12H1-45T
KIWQ18H2-45T/KOIQ18H2-45T
KIWQ24H2-45T/KOIQ24H2-45T
KIWQ36H2-45T/KOIQ36H2-45T

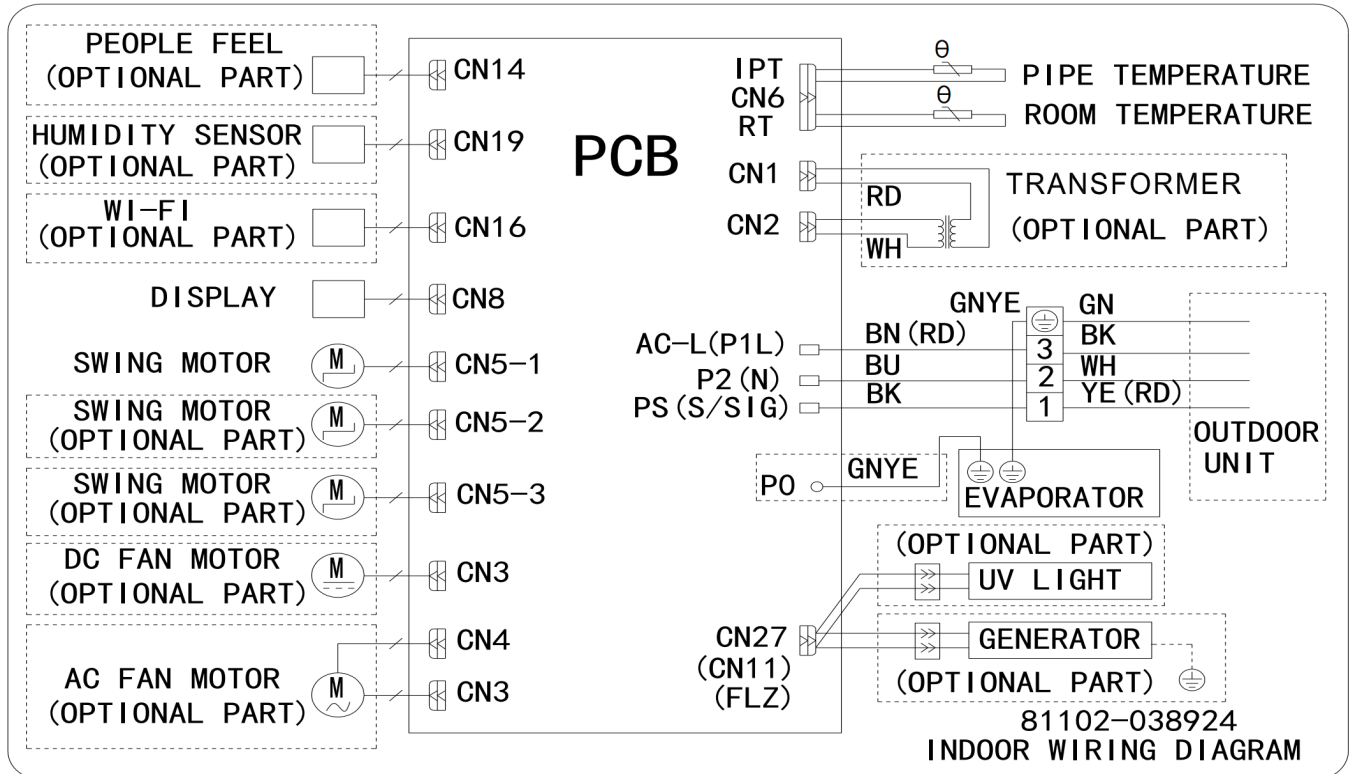


4. Electric Diagram

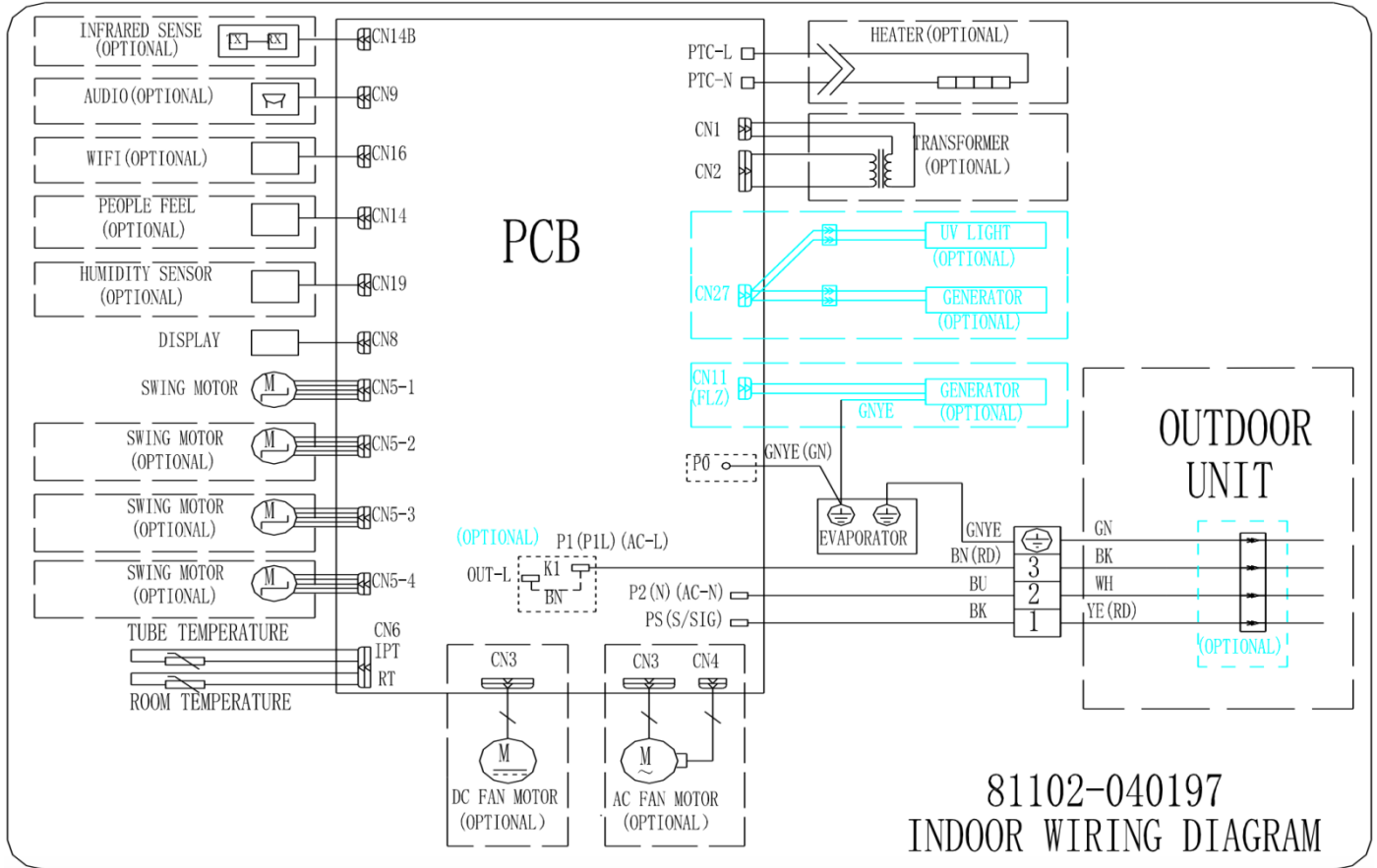
4.1 Wiring diagram

INDOOR UNIT:

MODEL: KIWQ09H2-45T/KOIQ09H2-45T; KIWQ24H2-45T/KOIQ24H2-45T

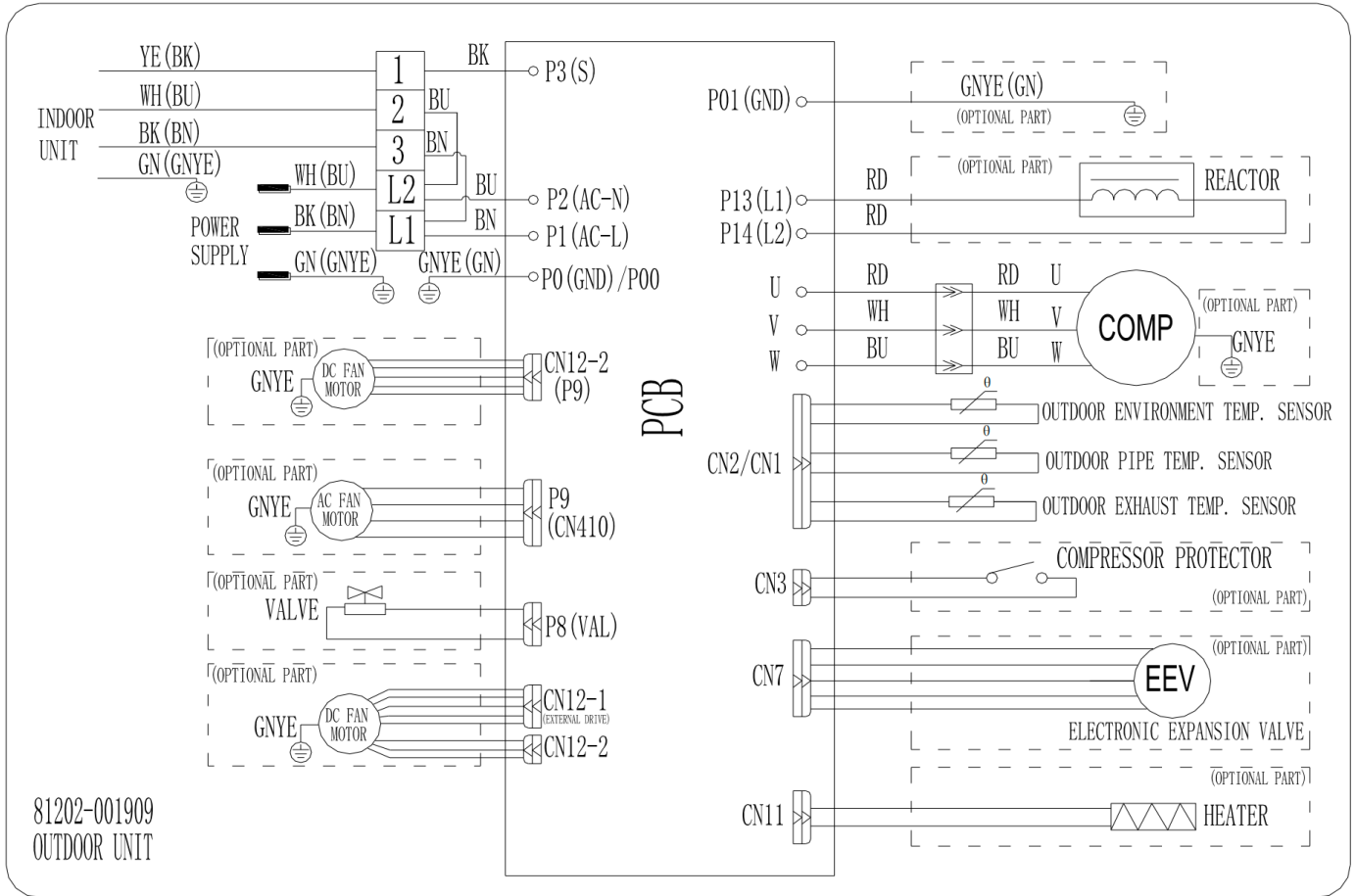


MODEL: KIWQ09H1-45T/KOIQ09H1-45T; KIWQ12H1-45T/KOIQ12H1-45T; KIWQ12H2-45T/KOIQ12H2-45T;
 KIWQ18H2-45T/KOIQ18H2-45T ; KIWQ36H2-45T

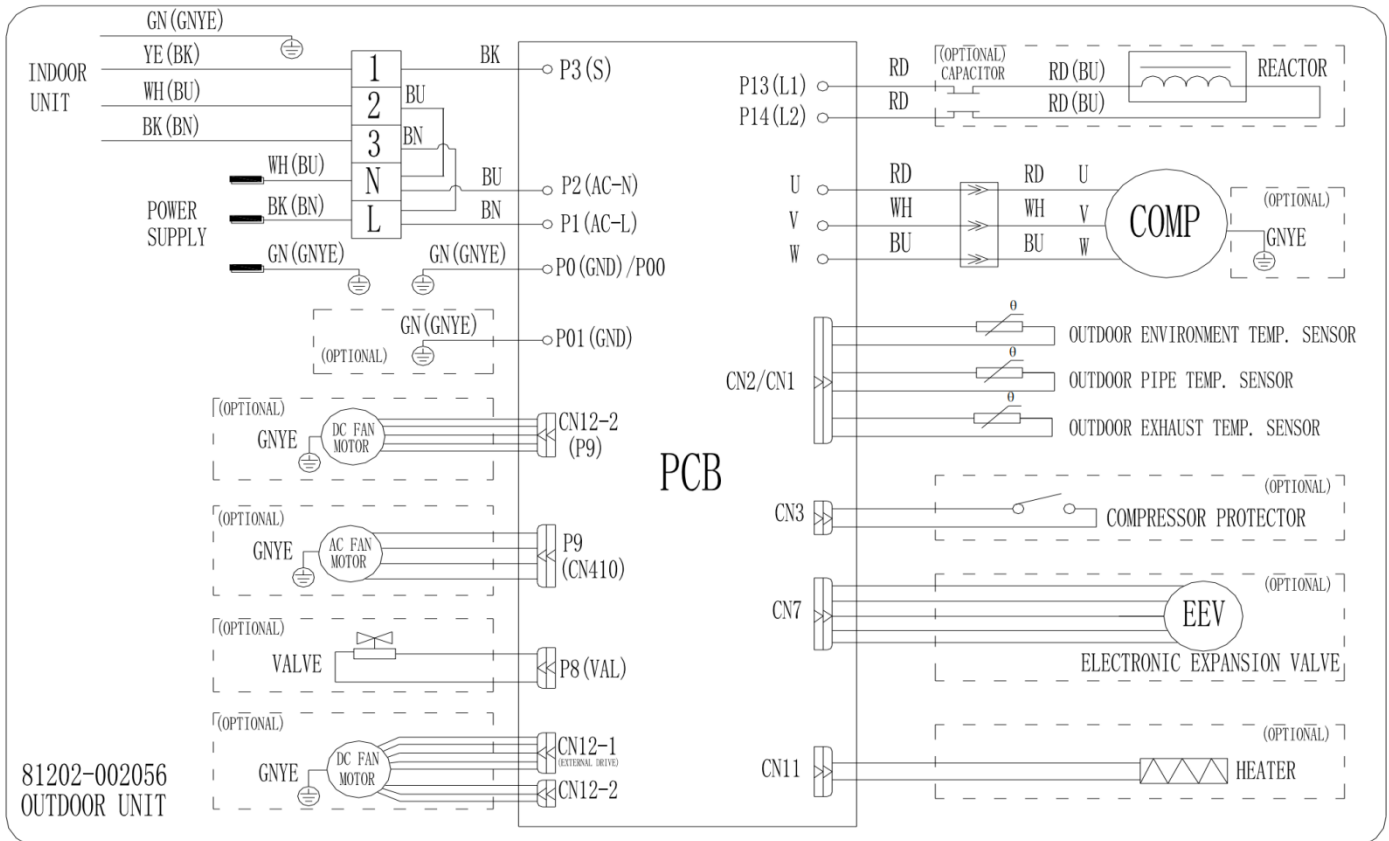


OUTDOOR UNIT:

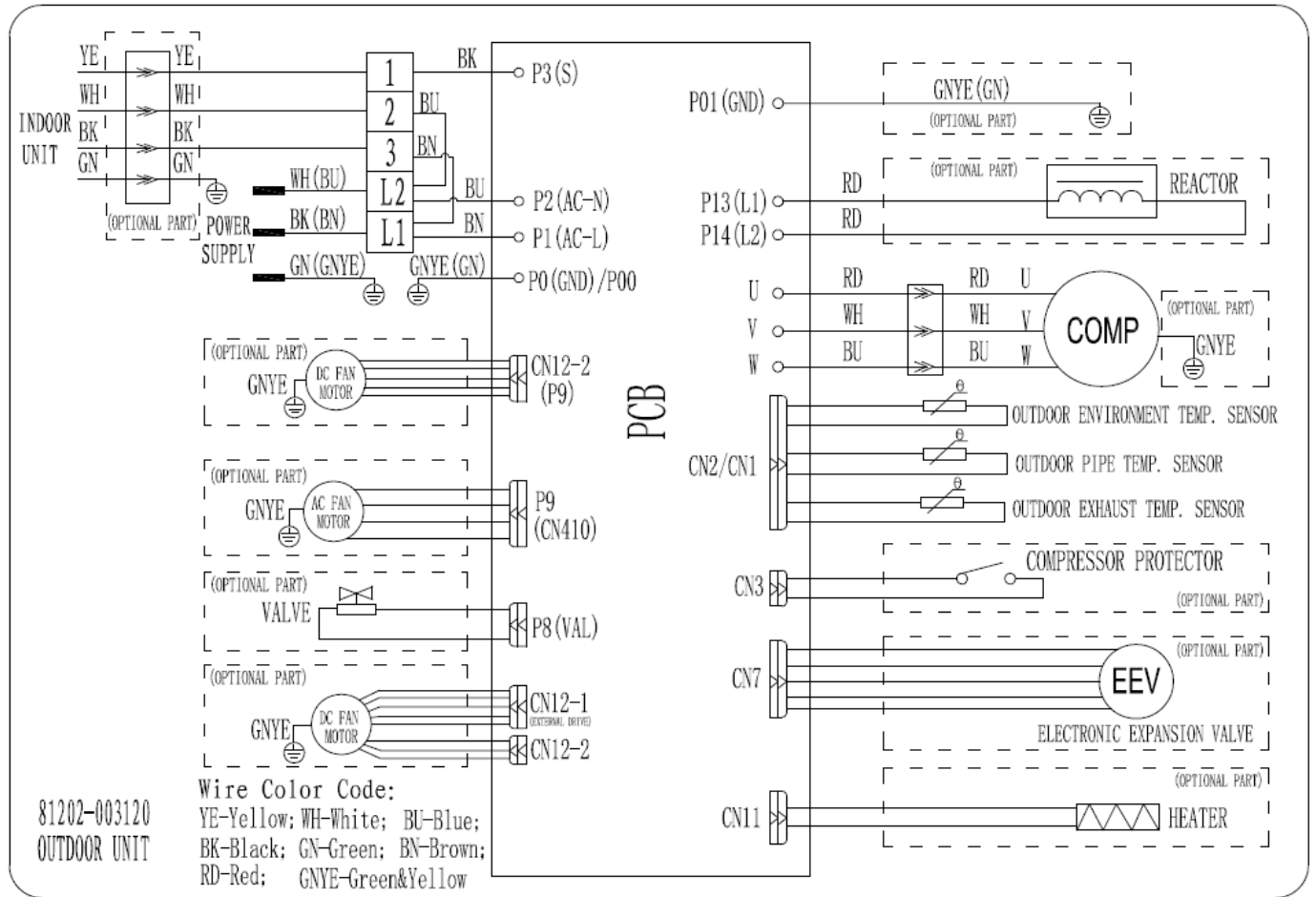
MODEL: KIWQ09H2-45T/KOIQ09H2-45T; KIWQ12H2-45T/KOIQ12H2-45T; KIWQ18H2-45T/KOIQ18H2-45T;
 KIWQ24H2-45T/KOIQ24H2-45T



MODEL: KIWQ09H1-45T/KOIQ09H1-45T; KIWQ12H1-45T/KOIQ12H1-45T



MODEL: KOIQ36H2-45T



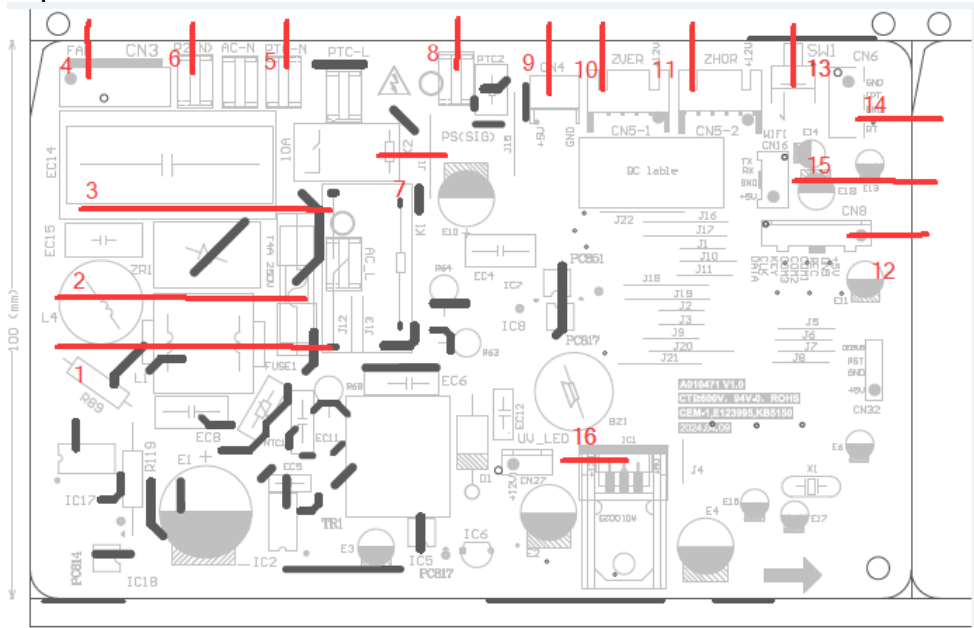
4.2 PCB LAOUT

Indoor unit

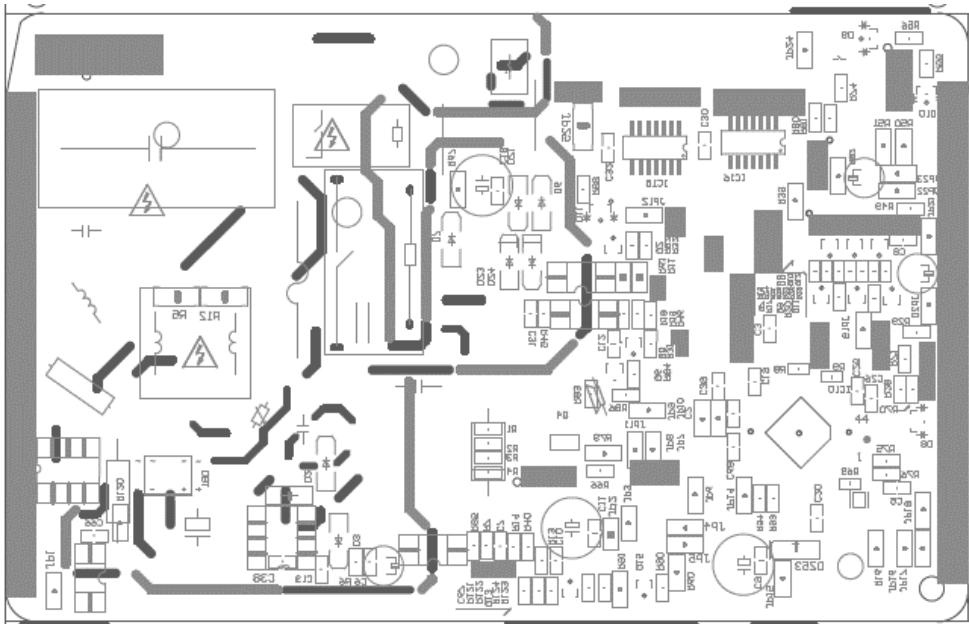
Indoor PCB

KIWQ09H2-45T/KOIQ09H2-45T KIWQ24H2-45T/KOIQ24H2-45T

Top view



Bottom view

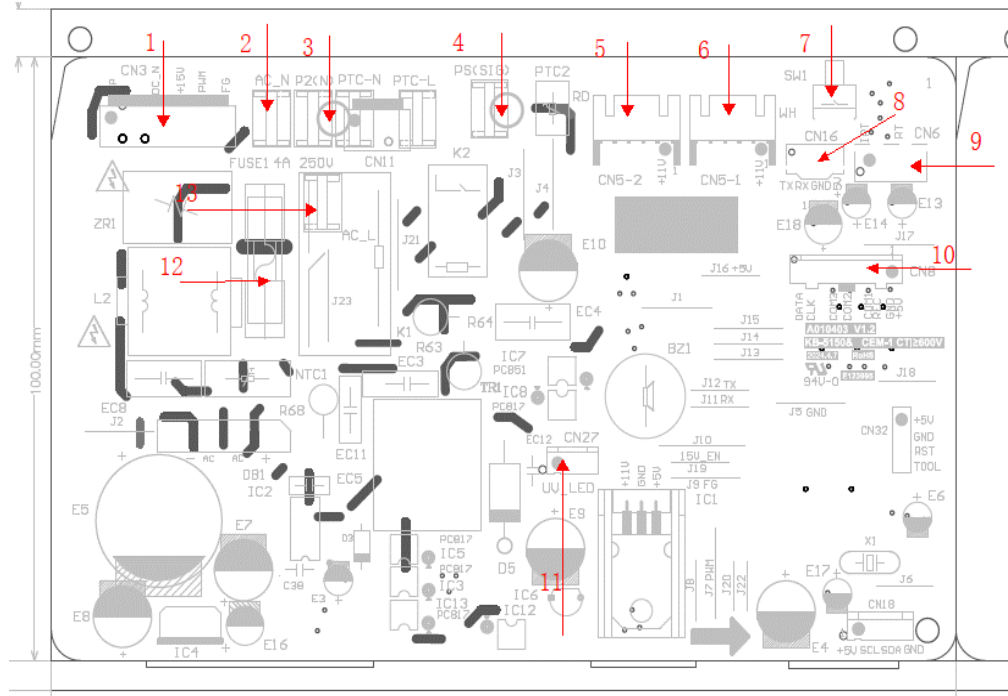


1	ODU AC power output
2	Fuse
3	ODU AC power input
(3)	AC motor driver
4	IDU/ODU wiring connection-N connector
5	Power supply-N connector
6	/
7	IDU/ODU communication wiring
8	AC Motor feedback
9	Up-Down swing connector
10	Left-Right swing connector
11	Display
12	Emergency button
13	Temperature sensor connector
14	WIFI connector
15	Anion connector

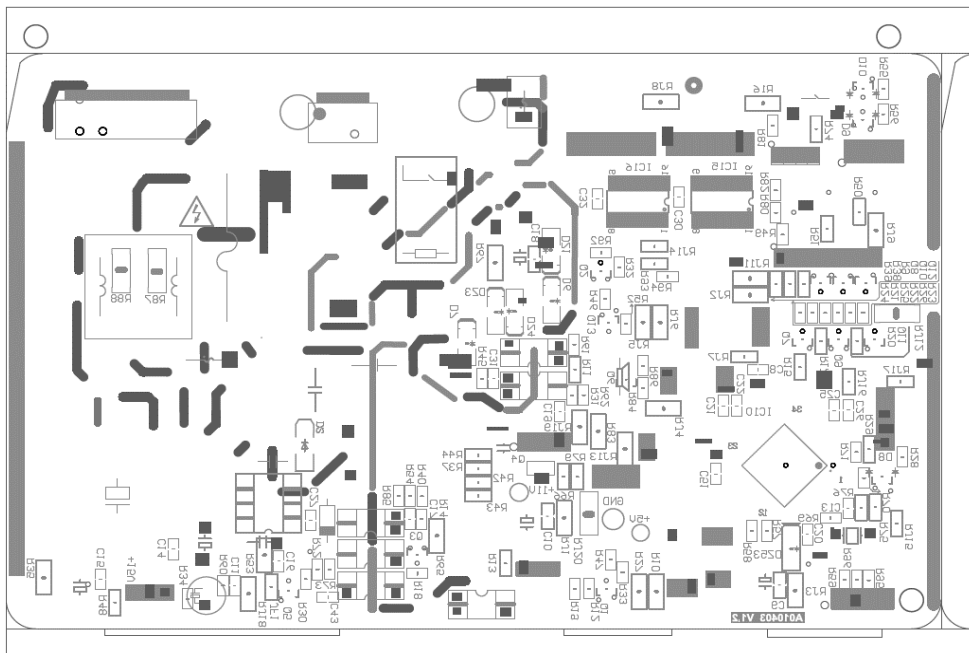
Indoor PCB

KIWQ09H1-45T/KOIQ09H1-45T; KIWQ12H1-45T/KOIQ12H1-45T; KIWQ12H2-45T/KOIQ12H2-45T; KIWQ18H2-45T/KOIQ18H2-45T

Top view



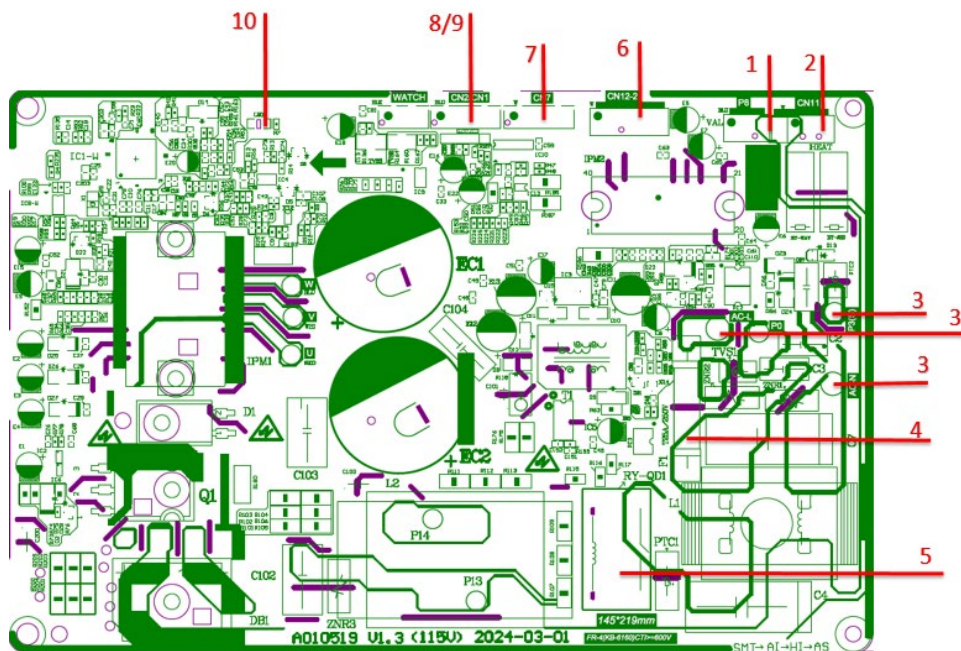
Bottom view



1	DC motor driver
2	Power supply-N connector
3	IDU/ODU wiring connection-N connector
(3)	IDU/ODU communication wiring
4	Left-Right swing connector
5	Up-Down swing connector
6	Emergency button
7	WIFI connector
8	Temperature sensor connector
9	Display
10	Cold plasma generator
11	Fuse
12	ODU AC power input
13	DC motor driver
14	Power supply-N connector

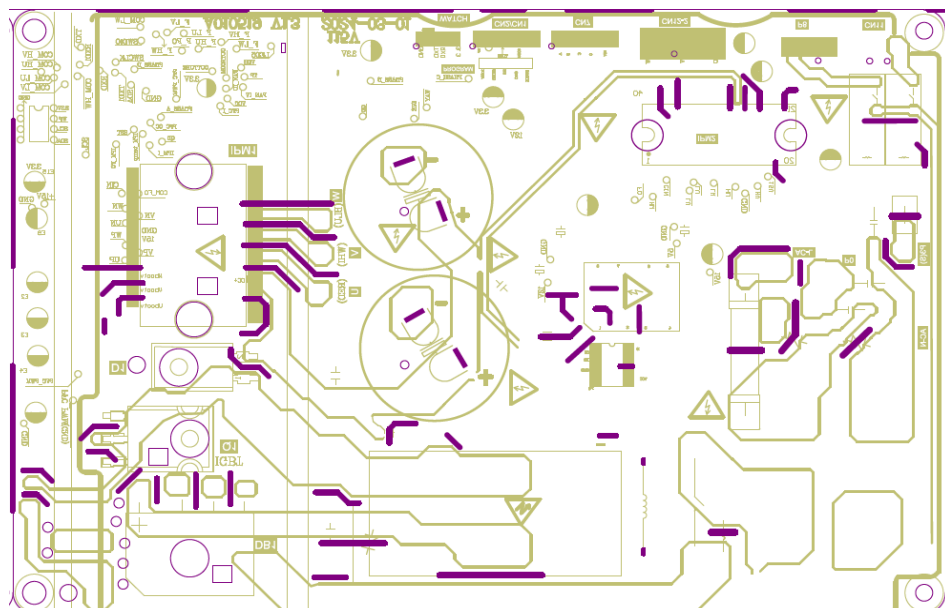
Outdoor unit
Outdoor PCB
 KIWQ09H1-45T/KOIQ09H1-45T;KIWQ12H1-45T/KOIQ12H1-45T

TOP View



1	4-way valve
2	Heater
3	L, N & Communication
4	Fuse
5	ODU PCB Mainly relay
6	DC Motor connector
7	Electronic expansion valve
8	Discharge sensor connector
9	OAT/OPT sensor connector
10	LED5

Bottom view

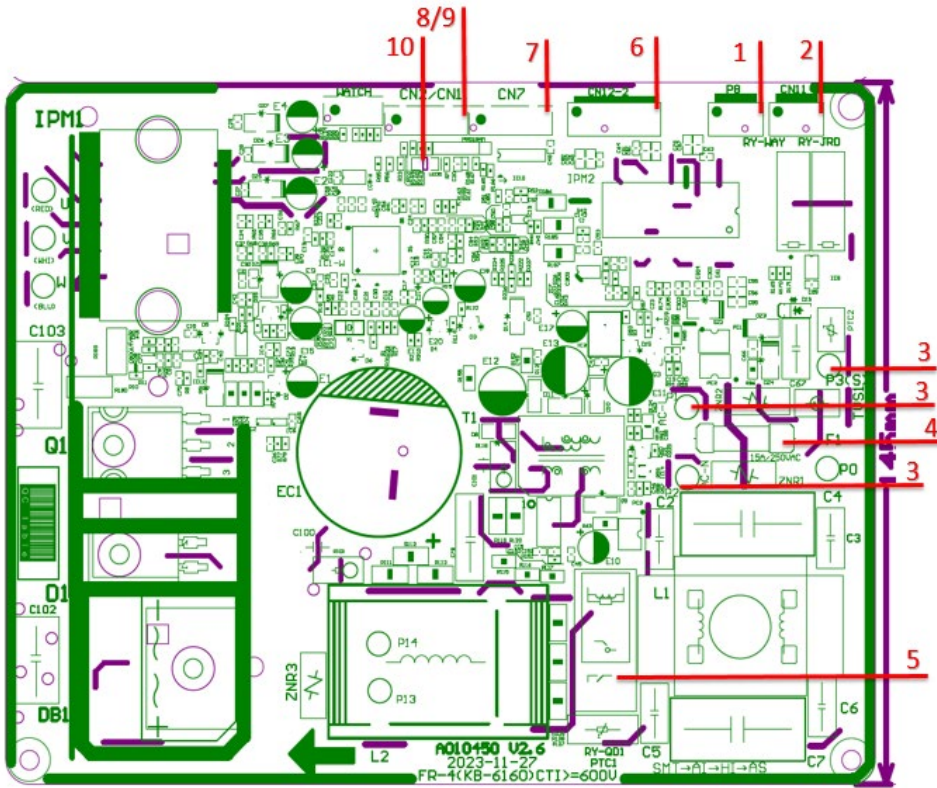


Outdoor PCB

KIWQ09H2-45T/KOIQ09H2-45T

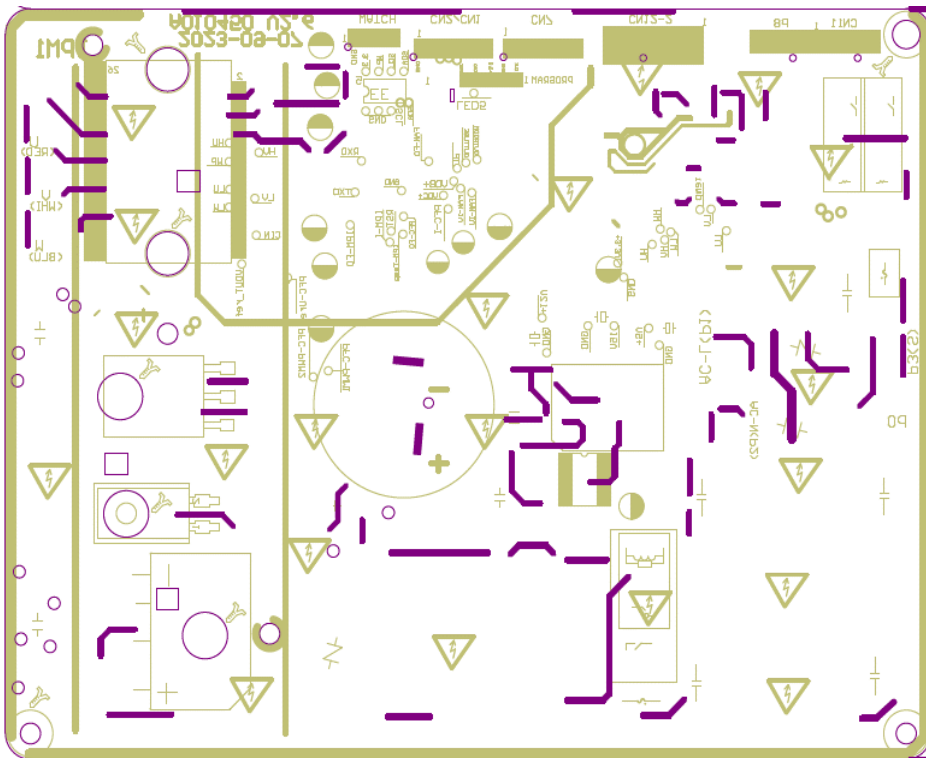
KIWQ12H2-45T/KOIQ12H2-45T

Top view



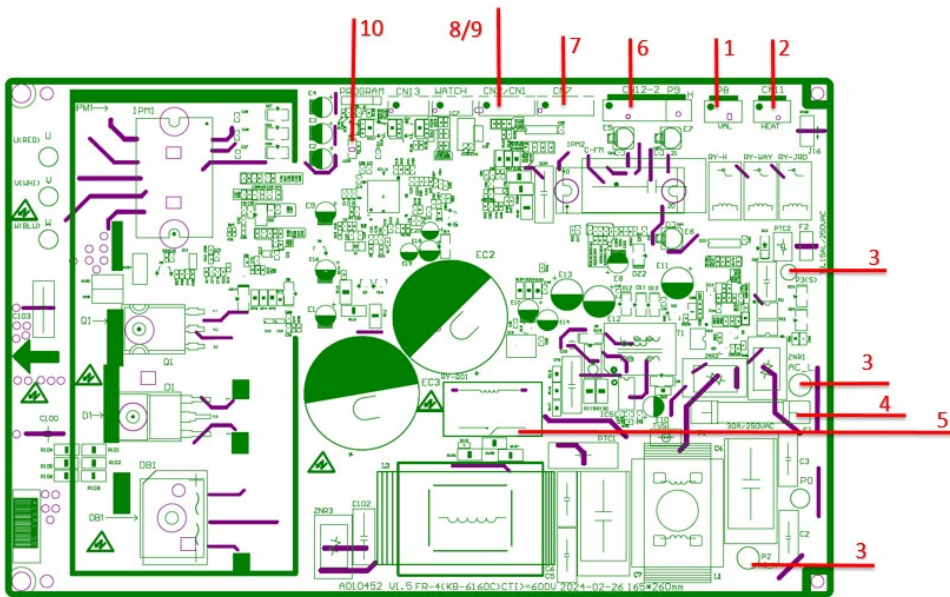
1	4-way valve
2	Heater
3	L, N & Communication
4	Fuse
5	ODU PCB Mainly relay
6	DC Motor connector
7	Electronic expansion valve
8	Discharge sensor connector
9	OAT/OPT sensor connector
10	LED5

Bottom view



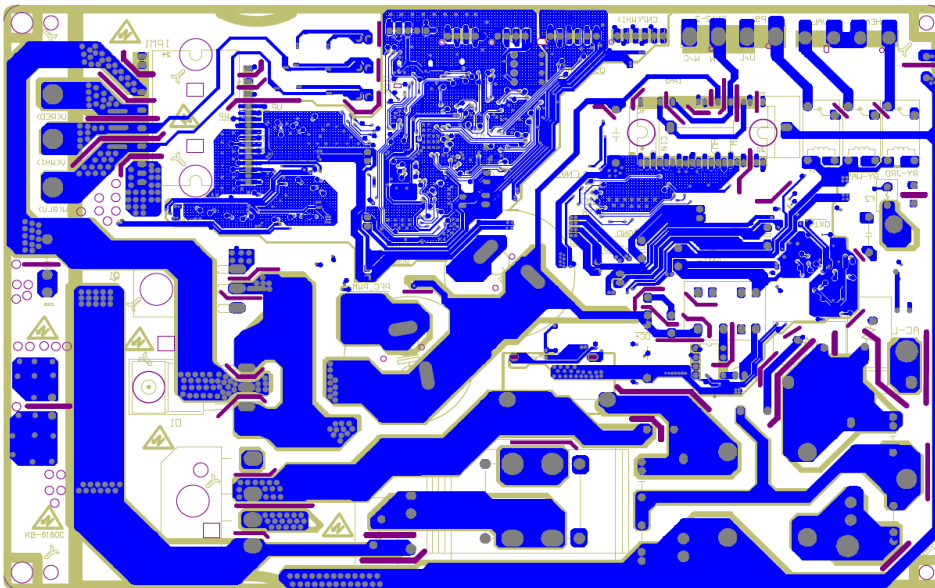
Outdoor PCB
KIWQ24H2-45T/KOIQ24H2-45T

Top view



1	4-way valve P8
2	Heater CN11
3	L, N & Communication
4	FUSE1
5	ODU PCB Mainly relay RY-QD1
6	DC Motor connector CN12-2
7	Electronic expansion valve CN7
8	Discharge sensor connector CN2
9	OAT/OPT sensor connector CN1
10	LED5
11	AC Motor connector P9
12	LED1-LED4

Bottom view

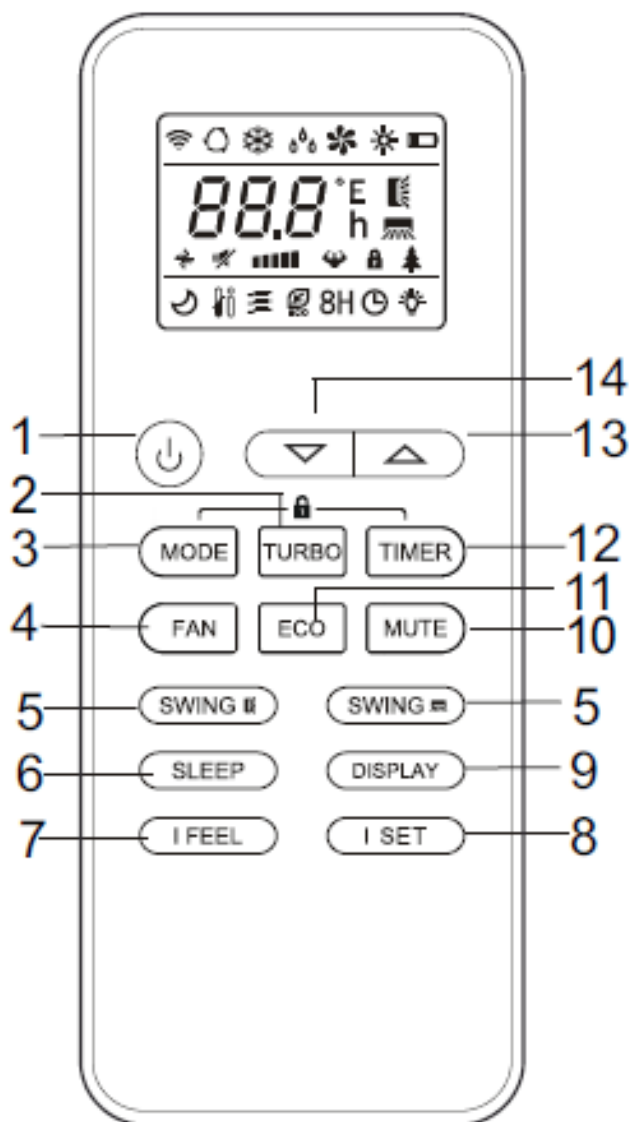


Note:

OAT: Outdoor Ambient Temperature
OPT: Outdoor pipe temperature

5. Unit Control

5.1 Remote controller



- 1 ON/OFF button**
To switch the conditioner on and off.
- 2 TURBO button**
In cooling mode, press this button, the unit will give the maximum cooling temperature with 16°C.
In heating mode, press this button, the unit will give the maximum heating temperature with 31°C.
- 3 MODE button**
To select the mode of operation.
- 4 FAN SPEED button**
To select the fan speed of auto/low/mid/high.
- 5 SWING button**
To activate or deactivate of the movement of the "DEFLECTORS".
- 6 SLEEP button**
To activate the function "SLEEP".
- 7 I FEEL button**
To switch - active/deactive "I FEEL" function. The air conditioner will regulate the room temperature base on the temperature(0°C~50°C) around the remote controller. This function will terminate 2 hours later once it's active.
- 8 I SET button**
To memory the setting temperature, setting mode and setting fan speed as you need.
- 9 DISPLAY button**
To switch on/off the LED display (if present)
- 10 MUTE button**
To switch-on/off the MUTE function.
Long press to activate/deactivate the GEN function (depending on models).
- 11 ECO button**
To activate/deactivate the ECO function.
Long press to activate/deactivate the 8°C Heating function (depending on models).
- 12 TIMER button**
To set automatic switching-on/off.
- 13 TEMP UP button**
Increase the temperature or time by 1 unit.
- 14 TEMP DOWN button**
Decrease the temperature or time by 1 unit.

Note: Each mode and relevant function will be further specified in following pages.

Remote Control

The remote controller is not presetting as Cooling Only Air Conditioner or Heat Pump by manufacturer.

Each time after the remote controller replace batteries or is energized, the arrowhead will flash on the front of "Heat" or "Cool" on LCD of the remote controller.

User can preset the remote controller type depending on the air conditioner type you have purchased as follows:

Press any button when the arrowhead flashes on the front of "Cool", Cooling Only is set.

Press any button when the arrowhead flashes on the front of "Heat", Heat Pump is set.

If you don't press any button within 10 seconds, the remote controller is preset as Heat Pump automatically.

LOCK/UNLOCK

When you press the buttons "MODE" and "TIMER" at the same time, the remote controller will be locked, all buttons of the remote controller will be inactive and it displays "Lo". You can operate again as the same way to unlock the remote controller.

Note :

If the air conditioner you purchased is a Cooling Only one, but you preset the remote controller as Heat Pump, it doesn't bring any matter. But if the air conditioner you purchased is a Heat Pump one, and you preset the remote

5.2 Unit Control

RT-----Room Temperature.

IPT-----Indoor Pipe (Coil) Temperature.

ST-----Indoor Setting Temperature.

OPT---Outdoor Pipe Temperature.

CRT---Compensated Room Temperature.

IDU--- Indoor unit

ODU---Outdoor unit.

Note: When AC finishing installation, because of the air ventilation and the distance of temperature test sensor to different location of the house, the temperature for IDU PCB control need compensation.

1) **Cooling mode. CRT=RT**

2) **Heating mode. CRT=RT-3°C (37.4°F) - Split AC**

5.2.1 Auto mode

5.2.1.1. The set temperature can be adjusted from 16-31°C (60.8-87.8°F) on auto mode, the operation of fan speed and vane position according to preset.

5.2.1.2. Operation

When unit set to auto mode, it will work on cooling, heating or fan mode totally according to Δt --the temperature difference between RT and ST shown as table:

Mode	$\Delta t=RT-ST$
COOLING	$\Delta t > 1^{\circ}\text{C} (1.8^{\circ}\text{F})$
FAN	$-1^{\circ}\text{C} (-1.8^{\circ}\text{F}) \leq \Delta t \leq 1^{\circ}\text{C} (1.8^{\circ}\text{F})$
HEATING	$\Delta t < -1^{\circ}\text{C} (-1.8^{\circ}\text{F})$

5.2.2 Cooling mode

5.2.2.1. Temperature control :16-31°C (60.8-87.8°F), and the operation of fan speed and vane position according to preset.

5.2.2.2. Compressor and process control

1). When $RT-ST \geq 1^{\circ}\text{C}$ the compressor starts up working, AC operates as customer preset;

2). When

- $RT-ST \leq -1^{\circ}\text{C}$, The compressor stops operation.;
- $-1^{\circ}\text{C} < RT-ST < 1^{\circ}\text{C}$, The compressor remain state;
- $RT-ST \geq 1^{\circ}\text{C}$, The compressor starts operation.

3). The frequency of compressor works is fixed.

4). The compressor will also stop working while unit:

- switched off.
- under protection.
- changed to fan mode.

5). Under normal operation, the compressor can be stopped by program only working after 6 mins once it starts up.

6). In the process of unit operation, once the compressor ceased, it should be 3 min delay for the next procedure.

5.2.2.3. ODU Fan motor control:

1). While unit:

- switched off.
- under protection.
- to the set temperature.

After compressor ceased, the fan motor stops working after 50s.

2). When switch on unit on cooling mode, ODU fan motor will start up 3s earlier than compressor starts up.

5.2.2.4. When ODU failure or stops for protection, IDU works as preset.

5.2.2.5. Anti-frosting protection

Stopping the compressor to achieve anti-frosting protection.

- 1). After compressor starts up for 6 minutes, then if $IPT < 0^{\circ}\text{C}$ for 3minutes, the compressor stops working.
- 2). After compressor starts up for 6 minutes, then if $IPT < -2^{\circ}\text{C}$ for 3seconds, the compressor stops working.
- 3). Once compressor stops because of anti-frosting protection, compressor can restart only after $IPT > 10^{\circ}\text{C}$.

5.2.3 Dry mode

5.2.3.1. Temperature control: $16\sim 31^{\circ}\text{C}$ ($60.8\sim 87.8^{\circ}\text{F}$).

Fan speed: low

Vane blade position: as customer preset

5.2.3.2. When ODU failure or stops for protection, IDU works as preset.

5.2.3.3. Compressor and process control

- 1). When $RT-ST \geq 1^{\circ}\text{C}$, the compressor starts up working, AC operates as customer preset;
 - 2). When
 - a. $RT-ST < -2^{\circ}\text{C}$, The compressor stops operation.;
 - b. $-2^{\circ}\text{C} \leq RT-ST \leq 2^{\circ}\text{C}$, The compressor starts up at first. The compressor will stop after starting up for 6minutes, and it will start up after stopping for 4minutes;
 - c. $RT-ST > 2^{\circ}\text{C}$, The compressor starts operation.
 - 4). The compressor will also stop working while unit:
 - a. switched off.
 - b. under protection.
 - c. changed to fan mode.
 - 5). Under normal operation, the compressor can be stopped by program only working after 6 min once it starts up.
 - 6). In the process of unit operation, once the compressor ceased, it should be 3 min delay for the next procedure.
- 5.2.3.4. Energy saving and sleep mode: Invalid.
- 5.2.3.5. Anti-frosting protection
- Stopping the compressor to achieve anti-frosting protection.
- 1). $RT-ST > 2^{\circ}\text{C}$: After compressor starts up for 6 minutes, then if $IPT < 0^{\circ}\text{C}$ for 3minutes, the compressor stops working.
 - 2). $RT-ST > 2^{\circ}\text{C}$: After compressor starts up for 6 minutes, then if $IPT < -2^{\circ}\text{C}$ for 3seconds, the compressor stops working.
 - 3). $-2^{\circ}\text{C} \leq RT-ST \leq 2^{\circ}\text{C}$: if compressor starts up for 3 minutes, and $IPT < 0^{\circ}\text{C}$ for 3minutes, the compressor stops working.
 - 4). Once compressor stops because of anti-frosting protection, compressor can restart only after $IPT > 10^{\circ}\text{C}$.

5.2.4 Heating mode

5.2.4.1. Temperature control: $16\sim 31^{\circ}\text{C}$ ($60.8\sim 87.8^{\circ}\text{F}$).

5.2.4.2. Compressor and process control.

- 1). When $ST-CRT \geq 1^{\circ}\text{C}$, the compressor starts up working, AC operates as customer preset
- 2). When
 - a. $ST-CRT \leq -1^{\circ}\text{C}$, The compressor stops operation.;
 - b. $-1^{\circ}\text{C} < ST-CRT < 1^{\circ}\text{C}$, The compressor remain state;
 - c. $ST-CRT \geq 1^{\circ}\text{C}$, The compressor starts operation.
- 3). The compressor frequency is fixed.
- 4). The compressor will also stop working while unit:
 - a. switched off.
 - b. under protection.
 - c. changed to fan mode.
- 5). Under normal operation, the compressor can be stopped by program only working after 6 min once it starts up.
- 6). In the process of unit operation, once the compressor ceased, it should be 3 min delay for the next procedure.

5.2.4.3. IDU time delay: When compressor stops or unit switches off while in heating mode, IDU fan motor will work for 50 seconds.

5.2.4.4. ODU Fan motor control:

- 1). While unit:
 - a. To be switched off
 - b. Under protection.
 - c. To the set temperature

After compressor ceased, the fan motor stops working after 50s.

- 2). When switch on unit on heating mode, ODU fan motor will start up 3s earlier than compressor starts up.
- 3). In the process of defrosting, the fan motor will stop operation 39s delay after compressor stopped.
- 4). defrosting finish, the compressor stops operation, the fan motor will start working simultaneously.

5.2.4.5. 4-way valve control

- 1). On Cooling/Dry/Fan mode, 4-way valve: **OFF**, when unit switched on heating mode, 4-way valve: **ON**.
- 2). When heating mode switched off, or changed from heating to other modes, the 4-way valve will be **OFF** 2 min delay after the compressor stops working.
- 3). Unit stops working caused by any kind of protection, the 4-way valve will be **OFF** 2 min delay.
- 4). In the process of defrosting, 4-way valve will be **OFF** 39s delay after compressor stopped.
- 5). When defrosting finish, the compressor stops operation, 4-way valve will be **ON** after 20s delay.

5.2.4.6. Defrost

Note: t1: compressor continuous works time.

t2: compressor accumulated working time.

t3: The max value of (IPT – RT) when the compressor starts up after 8 minutes.

When AC unit working to:

- a. $T1 \geq 120\text{minutes}$
- b. $T2 \geq 45\text{minutes}$
- c. $t3 \geq \text{IPT} - \text{RT} - 4^\circ\text{C}$

and it will start defrosting.

- 1) **Defrosting starts up**: Compressor stops working, and re-starts to working after 44s delay;
- 2) Conditions for quitting defrosting
 - a. The defrosting for 10 min.When AC meet any of condition a, defrosting finish.

- 3) **Defrosting end off**: Compressor stops working, and re-starts to working after 25s delay;

5.2.4.7. Cold air prevention:

This function intends to prevent cold air from being discharged when the heating operation starts up

1). IDU fan motor cold air prevention

① When $RT < 24^\circ\text{C}$ (75.2°F):

- a. If $\text{IPT} > 31^\circ\text{C}$ (87.8°F) while compressor works for 5 min, fan motor will work according to preset fan speed.
- b. If $\text{IPT} \leq 31^\circ\text{C}$ (87.8°F), fan motor stops working while compressor operation within 2min, if $\text{IPT} \geq 27^\circ\text{C}$ (89.6°F), fan motor works in low speed 2 min, then change to preset speed.

② When $RT \geq 24^\circ\text{C}$ (75.2°F):

- a. Within 2 min after compressor start up working, once $\text{IPT} > 27^\circ\text{C}$ (89.6°F), fan motor will change to preset speed.
- b. After compressor starts working 2 min, fan motor change to preset speed directly.

2). Vane blade operation for cold air prevention.

- a. If the vane works on status of **non-swing**: While IPT increase to a special degree, the vane blade will change the position to:

- ① Default angle; or
- ② Previous position; or
- ③ Customer preset.

The above operation can work one time only, when compressor stops working, the unit will once again inspect the function.

b. If the vane works on **swing**: When IDU quits from cold air prevention, vane operate as preset.

6.2.4.8. "8°C (46.4°F)" Heating

When function effective, it will make sure the room temperature not lower than 8°C(46.4°F), unit works on heating mode.

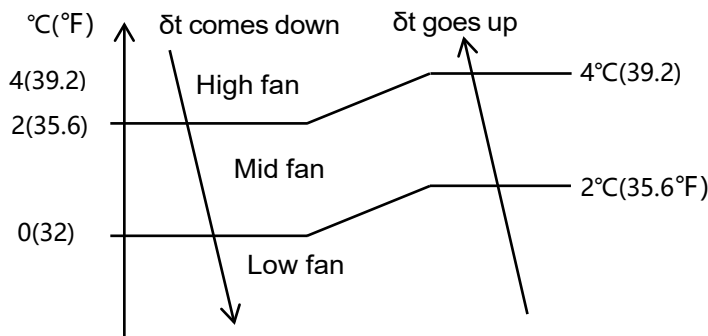
5.2.5 Fan mode

5.2.5.1. The temperature setting: 16~31°C (60.8-87.8°F),

Fan speed and vane position: as preset. The function for remote controller 58E only.

5.2.5.2. For above function, when unit preset to be auto fan mode, the fan motor will change its operation speed based on the temperature difference of ambient and preset temperature.

5.2.5.3. ODU always OFF.



5.2.6 Timer

The unit has times control, when the unit meet the timer preset, it will be switched on or off automatically.

5.2.6.1 TIMER ON

- 1). TIMER ON can be set only when the air conditioner is OFF.
- 2). Press TIMER on the remote control ONCE to enter time setting.
- 3). Press "▲" or "▼" to set the time for unit to start working.
- 4). Set other function as MODE, FAN SPEED, SWING etc.
- 5). Press TIMER ONCE AGAIN to confirm the TIME ON setting

5.2.6.2 TIMER OFF

- 1). TIMER OFF can be set only when the air conditioner is ON.
- 2). Press TIMER on the remote control ONCE to enter time setting.
- 3). Press "▲" or "▼" to set the time for unit to stop working.
- 4). Press TIMER ONCE AGAIN to confirm the TIME OFF setting

Note: In case of no selection for the time setting within 10s, the timer function will be OFF automatically.

5.2.7 Sleeping mode

While AC works in sleeping mode, the light of POWER SUPPLY and SLEEP always ON, and the temperature display will be OFF after 15s.

In this mode, the AC unit works according to the SLEEP CURVE as designed.

Sleeping mode the unit can work 10 hours continuously, after that it will quit from this mode and work as previous presetting.

5.2.8 Emergency switch

When the EMERGENCY switch is pressed one time, COOLING mode is selected and if it pressed again within 3s, HEATING mode selected, while press once again, the unit will be switched off.

When the remote controller out of function, batteries lost power, for example, the EMERGENCY button in the front of indoor unit can be used for function test.

NOTE: Do not press the EMERGENCY switch during normal operation.

5.2.9 Auto-restart function

While air conditioner is operating in one mode, all of its operation data, such as working mode, preset temperature etc. would be memorized into IC by main PCB. If power supply cut off due to reasons and recover again, the AUTO-RESTART function will set synchronously and the air conditioner would work at the same mode as before.

Note: The function setting:

Within 3 min while power on unit, set the unit on cooling mode, set temperature 30°C(86°F), and mid fan speed, press the ECO button 10 times within 8s, the AUTO-RESTART will be activated.

5.2.10 Protection

5.2.10.1 Over heat protection for Heating mode

1). If:

- a. $IPT \geq 62^{\circ}\text{C}$, compressor and ODU Fan stop working for over heat protection.
- b. $IPT \geq 54^{\circ}\text{C}$, ODU Fan stops working.

2). When $IPT \leq 48^{\circ}\text{C}$, the compressor and ODU Fan can restart.

3). If unit have 6 times of overheat stop-working protection continuously, or $IPT \geq 62^{\circ}\text{C}$ for 3mins when compressor stop working, this protection can't be recovered unless press ON/OFF button, and unit will show failure code "P7".

In the process of operation, once the compressor runs continuously more than 6 min, the counter of overheat stop-working protection will be reset to zero and start a new counting process.

The failure and times for protection will eliminate immediately once the unit to be switched off, on fan mode or changed to be heating mode from others.

5.2.11 Complementary

5.2.11.1 Energy saving (ECO)

Function effective on Cooling and Heating mode only.

On cooling mode, the set temperature ranges from 26°C (78.8°F) to 31°C (87.8°F), on heating mode, from 16°C (60.8°F) to 25°C (77°F).

5.2.11.2 TURBO

Function effective on Cooling, Heating, Fan and Auto modes, and fan speed operates on highest.

5.2.12 Calibration Test Mode:

Within 3 min while indoor unit switch on, and set the unit as:

- 1) Cooling mode.
- 2) set temperature to 30°C.
- 3) Mid-fan speed.

by press ECO button 7 times within 8s, the unit will change to calibration test mode, and the buzzer sounds 3 times.

PART II Installation and Maintenance

1. Notes for installation and maintenance

Safety Precautions

Important!

Please read the safety of precautions carefully before installation and maintenance. The following contents are very important for installation and maintenance. Please follow the instructions below.

- The installation or maintenance must accord with the instructions.
- Comply with all national electrical codes and local electrical codes.
- Pay attention to the warnings and cautions in this manual.
- All installation and maintenance shall be performed by distributor or qualified person.
- All electric work must be performed by licensed technician according to local regulations and instructions given in this manual.
- Be caution during installation and maintenance. Prohibit incorrect operation to prevent electric shock, casualty and other accidents.
- Please use the flammable gas detector to check before unload and open the container.
- No fire source and smoking.
- According to the local rules and laws.

Warnings

Electrical safety Precautions.

- 1) Cut off the power supply of air conditioner before checking and maintenance.
- 2) The air conditioner must apply specialized circuit and prohibit share the same circuit with other appliances.
- 3) The air conditioner should be installed in suitable location and ensure the power plug is touchable.
- 4) Make sure each wiring terminal is connected firmly during installation and maintenance.
- 5) Have the unit adequately grounded. The grounding wire can't be used for other purposes.
- 6) Must apply protective accessories such as protective boards, cable-cross loop and wire clip.
- 7) The live wire, neutral wire and grounding wire of power supply must be corresponding to the live wire, neutral wire and grounding wire of the air conditioner.
- 8) The power cord and power connection wires can't be pressed by hard objects.
- 9) If power cord or connection wire is broken, it must be replaced by qualified person.
- 10) If the power cord or connection wire is not long enough, please get the specialized power cord or connection wire from the manufacture or distributor. Prohibit prolong the wire by yourself.
- 11) For the air conditioner without plug, an air switch must be installed in the circuit. The air switch should be all-pole parting and the contact parting distance should be more then 3mm.
- 12) Make sure all wires and pipes are connected properly and the valves are opened before energizing.
- 13) Check if there is electric leakage on the unit body. If yes, please eliminate the electric leakage.
- 14) Replace the fuse with a new one of the same specification if it is burnt down, don't replace it with a cooper wire or conducting wire.
- 15) If the unit is to be installed in a humid place, the circuit breaker must be installed.

Risk of fire safety Precautions.

- **WARNING – Risk of Fire.** Flammable refrigerant used. To be repaired only by trained service personnel. Do not puncture refrigerant tubing.
- **WARNING – Risk of Fire.** Dispose of properly in accordance with federal or local regulations. Flammable refrigerant used.
- **WARNING – risk of fire.** Flammable refrigerant used. Consult repair manual/owner's guide before attempting to

service this product. All safety precautions must be followed.

- **WARNING – Risk of Fire due to Flammable Refrigerant Used.** Follow Handling Instructions Carefully in Compliance with National Regulations.



Read operator's manual



Operating instructions



Read technical manual

Installation Safety Precaution

- 1) Select the installation location according to the requirement of this manual. (See the requirements in installation part).
- 2) Handle unit transportation with care, the unit should not be carried by only one person if it is more than 20kg.
- 3) When installing the indoor unit and outdoor unit, a sufficient fixing bolt must be installed, make sure the installation supporter is firm.
- 4) Wear safety belt if the height of working is above 2m.
- 5) Use equipped components or appointed components during installation.
- 6) Make sure no foreign objects are left in the unit after finishing installation.

Improper installation may lead to fire hazard, explosion, electric shock or injury.

Safety precautions for Installing and Relocating the unit.

To ensure safety, please be mindful of the following precautions.

Warnings

- 1) When installing or relocating the unit, be sure to keep the refrigerant circuit free from air or substances other than the specified refrigerant.

Any presence of air or other foreign substance in the refrigerant circuit will cause system pressure rise or compressor rupture, resulting in injury.

- 2) When installing or moving this unit, do not charge the refrigerant which is not comply with that on the nameplate or unqualified refrigerant.

Otherwise, it may cause abnormal operation, wrong action, mechanical malfunction or even series safety accident.

- 3) When refrigerant needs to be recovered during relocating or repairing the unit, be sure that the unit is running in cooling mode. Then, fully close the valve at high pressure side (two-way valve). About 30-40 seconds later, fully close the valve at low pressure side (3-way valve), immediately stop the unit and disconnect power. Please note that the time for refrigerant recover should not exceed 1 minute.

If refrigerant recovery takes too much time, may be cause compressor overheat, resulting in injury.

- 4) During refrigerant recovery, make sure that two-way valve and 3-way valve are fully closed and power is disconnected before detaching the connecting pipe.

If compressor starts running when the valves is open and connecting pipe is not yet connected, air will be sucked in and cause pressure rise and then compressor overheat or gas leak, resulting in injury.

5) When installing the unit, make sure that connecting pipe is securely connected before the compressor starts running.

If compressor starts running when the valves is open and connecting pipe is not yet connected, air will be sucked in and cause pressure rise and then compressor overheat or gas leak, resulting in injury.

6) Prohibit installing the unit at the place where there may be leaked corrosive gas or flammable gas.

If there leaked gas around the unit, it may cause explosion and other accidents.

7) Do not use extension cords for electrical connections. If the electric wire is not long enough, please contact a local service center authorized and ask for a proper electric wire.

Poor connection may lead to electric shock or fire.

8) Use the specified types of wires for electrical connections between the indoor and outdoor units. Firmly clamp the wires so that their terminals receive no external stresses.

Electric wires with insufficient capacity, wrong wire connections and insecure wire terminals may cause electric shock or fire.

Introduction R454B air conditioner installation

1) Introduction to Refrigerants R454B

The refrigerants used for air conditioners are environmentally friendly hydrocarbons R32 and R454B. The two kinds of refrigerants are combustible and odorless. Moreover, they can burn and explode under certain condition. However, there will be no risk of burning and explosion if you comply with the following table to install your air conditioner in a room with an appropriate area and use it correctly.

Compared with ordinary refrigerants, Refrigerants R454B are environmentally friendly and do not destroy the ozone sphere and that their values of greenhouse effect are also very low.

2) R454B air conditioner installation area requirement

$m_1=(6m^3) \times LFL$, $m_2=(52m^3) \times LFL$, $m_3=(260m^3) \times LFL$

Where LFL is the lower flammable limit in kg/m^3 , R454B LFL is $0.296kg/m^3$.

For the appliances with a charge amount $m_1 < M < m_2$:

The maximum refrigerant charge in a room shall be in accordance with the following: $M_{max}=2.5 \times (LFL)^{(5/4)} \times h_0 \times A^{1/2}$ not to exceed $M_{max} = SF \times LFL \times h_0 \times A$ (GG.3DV)

The required minimum floor area A_{min} to install an appliance with refrigerant charge $M(kg)$ shall be in accordance with following: $A_{min} = (M / (2.5 \times (LFL)^{(5/4)} \times h_0))^2$ not less than $A_{min} = M / (SF \times LFL \times h)$ (GG.4DV)

Where:

M_{max} is the allowable maximum charge in a room, in kg;

M is the refrigerant charge amount in appliance, in kg;

A_{min} is the required minimum room area, in m^2 ;

A is the room area, in m^2 ;

LFL is the lower flammable limit, in kg/m^3

h_0 is the installation height of the appliance, in meters for calculating M_{max} or A_{min} , 1.8 m for wall mounted;

Table GG.1 - Maximum charge (kg)

Category	LFL (kg/m ³)	h. (m)	Floor area (m ²)						
			4	7	10	15	20	30	50
R454B	0.296	1.8	1.07	1.86	2.66	3.81	4.39	5.38	6.95
		2.5	1.48	2.59	3.70	5.28	6.10	7.47	9.65
		2.8	3.06	4.04	4.83	5.92	6.83	8.37	10.81

Table GG.2 - Minimum room area (m²)

Category	LFL (kg/m ³)	h (m)	Charge amount(M)(kg) Minimum room area(m ²)						
			0.71kg	0.8kg	1kg	1.29kg	1.56kg	1.8kg	2kg
R454B	0.296	1.8	2.67	3.00	3.75	4.84	5.86	6.76	7.51
		2.5	1.92	2.16	2.70	3.49	4.22	4.86	5.41
		2.8	1.71	1.93	2.41	3.11	3.76	4.34	4.83

Caution:

- Please contact the nearest after-sale service center when maintenance is necessary. At the time of maintenance, the maintenance personnel must strictly comply with the Operation Manual provided by the corresponding manufacturer and any non-professional is prohibited to maintain the air conditioner.
- It is necessary to comply with the provisions of gas-related national laws and regulations.
- It is necessary to clear away the refrigerant in the system when maintaining or scrapping an air conditioner.
- When filling the combustible refrigerant, any of your rude operations may cause serious injury or injuries to human body or bodies and object or objects.
- A leak test must be done after the installation is completed.
- It is a must to do the safety inspection before maintaining or repairing an air conditioner using combustible refrigerant in order to ensure that the fire risk is reduced to minimum

3) Installation Safety

Installation Safety Principles

Site Safety



Open Flames Prohibited



Ventilation Necessary

Operation Safety

Open Flames Prohibited



Mind Static Electricity Must wear protective clothing and anti-static gloves. Don't use mobile phone

Installation Safety

- Refrigerant Leak Detector
- Appropriate Installation Location



The left picture is the schematic diagram of a refrigerant leak detector.

Caution:

- The installation should be in a well-ventilated condition location.
- When you installing or maintaining an air conditioner using Refrigerant R32/R454B, the location should be free fire from open or any other goods temperature higher than 396°C for R454B which easily produces open fire include welding, smoking, drying oven.
- When installing an air conditioner of R454B, it is necessary to take appropriate anti-static measures such as wear anti-static clothing and gloves.
- It is necessary to choose the location for installation or maintenance where in the air inlets and outlets of the indoor and outdoor units should be not surrounded by obstacles or close to any heat source or combustible and/or explosive environment.
- If the indoor unit suffers refrigerant leak during the installation, it is necessary to immediately turn off the valve of the outdoor unit and all the personnel should go out till the refrigerant leaks completely for 15 minutes. If the product is damaged, it is a must to carry such damaged product back to the maintenance station and it is prohibited to weld the refrigerant pipe or conduct other operations on the user's site.
- It is necessary to choose the place where the inlet and outlet air of the indoor unit is even.
- It is necessary to avoid the places where there are other electrical products, power switch plugs and sockets, kitchen cabinet, bed, sofa and other valuables right under the lines on two sides of the indoor unit.
- Information on servicing

1) Checks to the area

Prior to beginning work on systems containing flammable refrigerants, safety checks are necessary to ensure that the risk of ignition is minimized. For repair to the refrigerating system, the following precautions shall be complied with prior to conducting work on the system.

2) Work procedure

Work shall be undertaken under a controlled procedure so as to minimize the risk of a flammable gas or vapor being present while the work is being performed.

3) General work area

All maintenance staff and others working in the local area shall be instructed on the nature of work being carried out. Work in confined spaces shall be avoided. The area around the workspace shall be sectioned off. Ensure that the conditions within the area have been made safe by control of flammable material

4) Checking for presence of refrigerant

The area shall be checked with an appropriate refrigerant detector prior to and during work, to ensure the technician is aware of potentially flammable atmospheres. Ensure that the leak detection equipment being used is suitable for use with flammable refrigerants, i.e. non-sparking, adequately sealed or intrinsically safe.

5) Presence of fire extinguisher

If any hot work is to be conducted on the refrigeration equipment or any associated parts, appropriate fire extinguishing equipment shall be available to hand. Have a dry powder or CO₂ fire extinguisher adjacent to the charging area.

6) No ignition sources

No person carrying out work in relation to a refrigeration system which involves exposing any pipe work shall use any sources of ignition in such a manner that it may lead to the risk of fire or explosion. All possible ignition sources, including cigarette smoking, should be kept sufficiently far away from the site of installation, repairing, removing and disposal, during which refrigerant can possibly be released to the surrounding space. Prior to work taking place, the area around the equipment is to be surveyed to make sure that there are no flammable hazards or ignition risks. "No Smoking" signs shall be displayed.

7) Ventilated area

Ensure that the area is in the open or that it is adequately ventilated before breaking into the system or conducting any work that will produce heat. A degree of ventilation shall continue during the period that the work is carried out.

The ventilation should safely disperse any released refrigerant and preferably expel it externally into the

atmosphere.

8) Checks to the refrigeration equipment

Where electrical components are being changed, they shall be fit for the purpose and to the correct specification. At all times the manufacturer's maintenance and service guidelines shall be followed. If in doubt consult the manufacturer's technical department for assistance.

The following checks shall be applied to installations using flammable refrigerants:

- The charge size is in accordance with the room size within which the refrigerant containing parts are installed;
- The ventilation machinery and outlets are operating adequately and are not obstructed;
- If an indirect refrigerating circuit is being used, the secondary circuit shall be checked for the presence of refrigerant;
- Marking to the equipment continues to be visible and legible. Markings and signs that are illegible shall be corrected;
- Refrigeration pipe or components are installed in a position where they are unlikely to be exposed to any substance which may corrode refrigerant containing components, unless the components are constructed of materials which are inherently resistant to being corroded or are suitably protected against being so corroded.

9) Checks to electrical devices

Repair and maintenance to electrical components shall include initial safety checks and component inspection procedures. If a fault exists that could compromise safety, then no electrical supply shall be connected to the circuit until it is satisfactorily dealt with. If the fault cannot be corrected immediately but it is necessary to continue operation, an adequate temporary solution shall be used. This shall be reported to the owner of the equipment so all parties are advised. Initial safety checks shall include:

- That capacitors are discharged: this shall be done in a safe manner to avoid possibility of sparking;
- That no live electrical components and wiring are exposed while charging, recovering or purging the system;
- That there is continuity of earth bonding.

Special tools:

Tool Name	Requirement(s) for Use
Mini Vacuum Pump	It should be an explosion-proof vacuum pump; can ensure certain precision and its vacuum degree should be lower than 10Pa.
Filling Device	It should be a special explosion-proof filling device; have certain precision and its filling deviation should be less than 5g.
Leak Detector	It should be calibrated regularly; and its annual leak rate should not exceed 10g.
Concentration Detector	<p>A) The maintenance site should be equipped with a fixed-type combustible refrigerant concentration detector and connected to a safeguard alarm system; its error must be not more than 5%.</p> <p>B) The installation site should be equipped with a portable combustible refrigerant concentration detector which can realize two-level audible and visual alarm; its error must be not more than 10%.</p> <p>C) The concentration detectors should be calibrated regularly.</p> <p>D) It is necessary to check and confirm the functions before using the concentration detectors.</p>
Pressure Gauge	<p>A) The pressure gauges should be calibrated regularly.</p> <p>B) The pressure gauge used for Refrigerant 22 can be used for Refrigerants R290 and R161; the pressure gauge used for R410A can be used for Refrigerant R32 and R454B</p>
Fire Extinguisher	It is necessary to carry fire extinguisher(s) when installing and maintaining an air conditioner. On the maintenance site, there should be two or more kinds of dry powder, carbon dioxide and foam fire extinguishers and that such fire extinguishers should be placed at stipulated positions, with eye-catching labels and in handy places.

Maintenance

1). Inspections before maintenance.

(1) Inspection of maintenance environment

- There should be no leaked refrigerant in the room before operation.
- It is only allowed to operate in a room which meets the area requirement on the nameplate.
- It is necessary to make the room keep a continuous ventilation state at the time of maintenance.
- The room in the maintenance should be free from fire or welding, smoking, drying oven or any other goods temperature higher than 548°C (R32) /396°C(R454B) which easily produces fire.
- During the maintenance, it is necessary to ensure that any person's any mobile phone or any electronic product with radiation in the room is powered off.
- The maintenance area should be equipped with a drying powder or carbon dioxide fire extinguisher and that such fire extinguisher can work.

(2) Inspection of maintenance equipment

- Check the maintenance equipment is applicable to the refrigerant or not and it is only allowed to use the professional equipment recommended by the air conditioner manufacturer.
- Check the refrigerant leak detector whether has been calibrated. The set maximum alarm concentration of the refrigerant leak detector should not exceed 25% of the lower explosion limit (LEL), the refrigerant leak detector must be working during maintenance.

2) Inspection of air conditioner

- It is necessary to ensure that the air conditioner is in reliable ground connection before maintenance.
- Make sure powered supply to air conditioner is off. Before maintenance, it is necessary to cut off the power and discharge the capacitor power which used in the air conditioner. If it is a must to need the power supply during the maintenance, it is necessary to do ongoing leak detection at the most dangerous position/point in order to avoid potential danger.
- Check the warning labels on the air conditioner whether are in good condition. It is necessary to replace the damaged or smeared warning labels.

3). Leak inspection before maintenance

Before maintenance, use the leak detector or concentration detector (pump-type) recommended by the corresponding air conditioner manufacturer to check the air conditioner leak or not.

Warning

If leak may exist, it is necessary to move all the fire out from the site or extinguish fire and then immediately shut off the air conditioner. Meanwhile, it is necessary to make sure well-ventilated.

4). Safety principles during the maintenance

- At the time of maintenance, it is necessary to ensure well-ventilation on the site.
- It is prohibited to use fire including welding, smoking or other purposes. It is prohibited to use mobile phones.
- At the time of maintenance, if the relative humidity is lower than 40%, it is necessary to wear anti-static clothing and gloves.
- If the combustible refrigerant is found leaking during the maintenance, it is a must to immediately take forced ventilation and plug up the leak source.
- If the product is damaged to the extent that it is a must to open the refrigerating system for maintenance, it is a must to carry the product back to the maintenance station for maintenance. (It is prohibited to weld the refrigerant pipe and do other operations on the user's site.)
- It is necessary to return the air conditioner to its initial state if it is necessary to provide visiting service again due to lacking spare part during the maintenance. Moreover, it is a must to ensure that the refrigerating system is in secure ground connection.
- If it is necessary to provide visiting service with a refrigerant cylinder, the volume of refrigerant filled in

such refrigerant cylinder should not exceed the stipulated value. When such cylinder is stored in a vehicle or placed on the installation or maintenance site, it is necessary to place it vertically and securely and keep it away from any place where there is any heat source, combustion source, radiation source or electrical equipment.

5). Requirements for the site of maintenance-station

- The maintenance location should be well-ventilated, with leveled ground and not in a basement.
- The maintenance should be divided into welding and non-welding areas both of which should be labeled clearly. There should be a certain safety distance between the two areas. The maintenance location should be equipped with ventilating and air-exhausting equipment to prevent the refrigerant gas from aggregating.
- It is necessary to provide some relevant instruments such as combustible refrigerant leak detector and have a leak detecting instrument management system. It is necessary to confirm that the leak detector can work normally before maintenance.
- The main power switch should be set outside the maintenance location and equipped with protective (explosion-proof) devices.
- It is necessary to provide firefighting devices such as dry powder or carbon dioxide fire extinguisher appropriate for extinguishing the electrical fire and keep such firefighting devices in a usable condition.
- Temporary wires and sockets are prohibited on the maintenance location.

6). Requirements for fill the refrigerants

- It is necessary to use nitrogen to clear the cyclic system before operating the refrigerating system and vacuumize the outdoor unit for 30 minutes at least.
- It is necessary to ensure that there is no cross contamination among different refrigerants when the refrigerant filling device is used. The total length including the refrigerant pipeline should be as short as possible in order to reduce the residual refrigerant inside such pipeline.
- It is necessary to vertically place the refrigerant storage tanks.
- It is necessary to ensure that the refrigerating system is in ground connection before the refrigerant is filled.
- When filling the refrigerant, it is necessary to fill corresponding type and volume of refrigerant as per the requirements on the product nameplate and overfilling is prohibited.
- It is necessary to seal the system in a safe sealing way after maintaining the refrigerating system.
- It is necessary to ensure that the maintenance will not damage or reduce the safety protection grade of the original system.

7). In-maintenance welding

- It is necessary to ensure that the maintenance location is well-ventilated.
- Before welding the outdoor unit, it is a must to confirm that the refrigerating system has been drained and the system has been cleaned and ensure that there has been no refrigerant in the outdoor unit.
- It is necessary to close the stop valve of the outdoor unit when using a welding gun to do the maintenance work such as cutting and welding.

8). Maintenance of electrical components

- It is necessary to use a special leak detector to check whether the maintained electrical parts location have the leak refrigerant.
- It is not allowed to refit, remove or cancel any component with the safety protection function after finishing the maintenance process.
- When maintaining the sealed parts, it is necessary to turn off the power of air conditioner before opening the sealing cover. When power supply is needed, it is necessary to do the ongoing leak detection at

the most dangerous position in order to prevent potential danger.

- It is necessary to specially note that the maintenance of electrical components will not affect the replacement of protective cover.
- In order to ensure that the sealing function is not damaged after maintenance or the sealing material will not lose the effect of preventing the combustible gas leak due to ageing. So the substitute components should meet the requirements recommended by the air conditioner manufacturer.

Warning

Before doing the trial operation after finishing the maintenance, it is a must to use a practical leak detector to inspect the leakage and reliability of ground connection in order to ensure that no refrigerant leakage and reliable ground connection.

The refrigerant storage tanks should be separately placed in a well-ventilated place at the temperature ranging from -10°C to 50°C and label them with warning labels.

9). Emergency Accident Handling

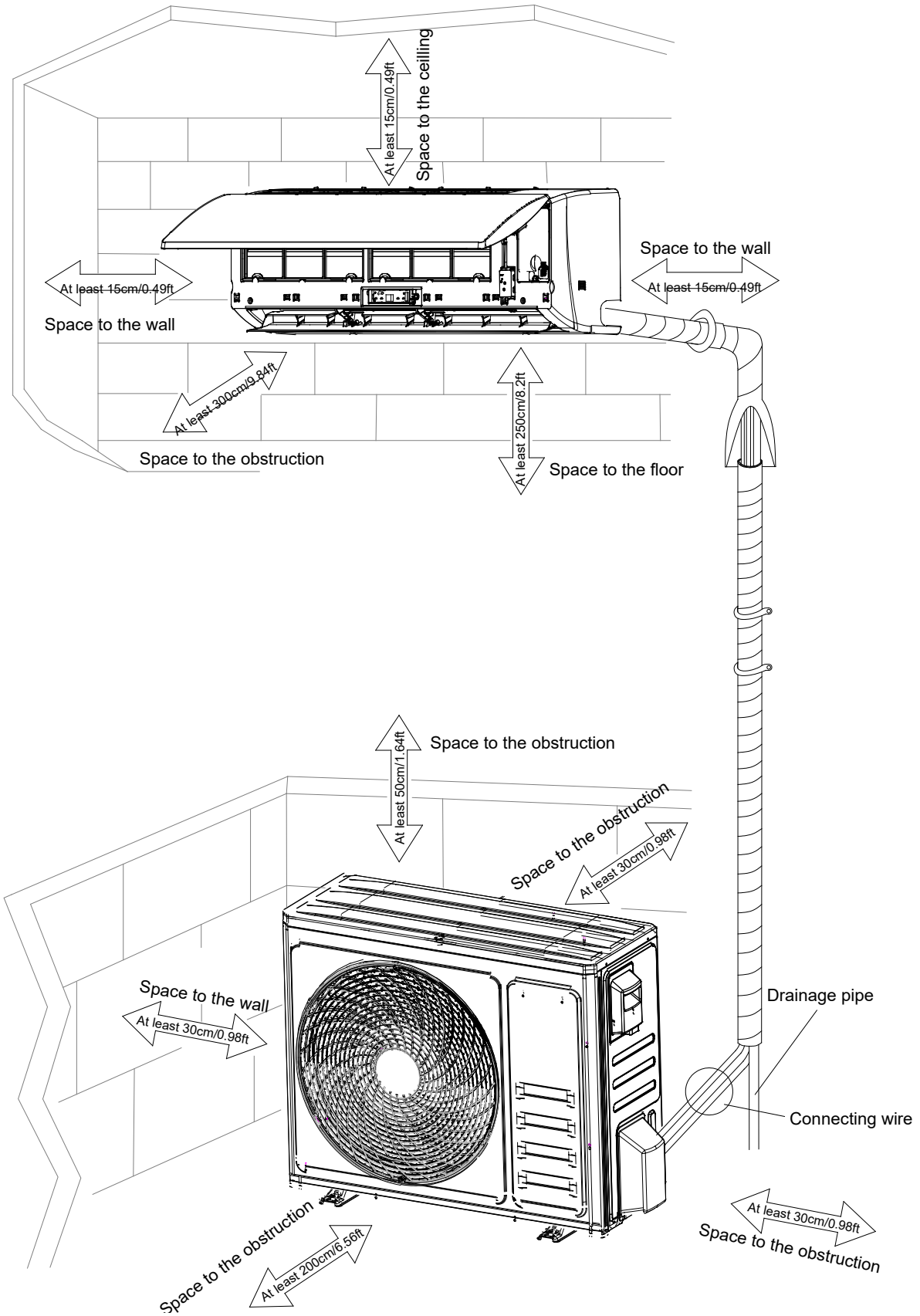
A maintenance station should establish emergency handling plans. It is necessary to take appropriate precautionary measures in work. For example, it is prohibited to enter the location with any kindling material and it is prohibited to wear clothing or shoes which easily produce static.

Handling suggestions when a large amount of combustible refrigerant leaks:



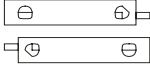
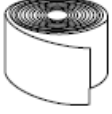

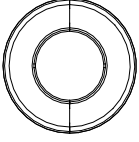

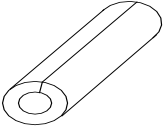
- It is necessary to immediately operate the ventilating equipment while cutting off other power supply and evacuating the affected personnel urgently from the location.
- It is necessary to inform near residents of evacuating for over 20 meters from the location, make an alarm call, set the emergency area and prohibit irrelevant personnel and vehicles from approaching.
- The professional firefighters should wear anti-static clothing to handle the emergency on the site and cut off the source of leak.
- It is necessary to use nitrogen for blowing the site, especially the low-lying positions, clear away the residual combustible refrigerant gas from any area nearby and surrounding the leak point and use a handheld detector for detection and not clear the alarm until the concentration of refrigerant is zero.

2 Installation

2.1 Installation Dimension Diagram



2.2 Accessory

<p>Remote controller</p> 	<p>Remote controller supporter</p> 	<p>Batteries</p> 	<p>Vinyl tape</p> 
<p>Drain hose</p> 	<p>Hole cover</p> 	<p>Screw</p> 	<p>Insulation material</p> 

2.3 Position

Indoor unit

- Install the indoor unit level on a strong wall that is not subject to vibrations
- The inlet and outlet ports should not be obstructed: the air should be able to blow all over the room.
- Do not install the unit near a source of heat, steam or flammable gas.
- Do not install the unit in too windy or dusty places.
- Do not install the unit where people often pass. Select a place where the air discharge and operating sound level will not disturb the neighbors.
- Install the unit where connection between indoor and outdoor unit is as easy as possible.
- Install the unit where it is easy to drain the condensed water.
- Check the machine operation regularly and leave the necessary spaces as shown in the picture.
- Install the indoor unit where the filter can be easily accessible.

OUTDOOR UNIT

- Do not install the outdoor unit near sources of heat, steam or flammable gas.
 - Do not install the unit in too windy or dusty places.
 - Do not install the unit where people often pass. Select a place where the air discharge and operating sound level will not disturb the neighbors.
 - Avoid installing the unit where it will be exposed to direct sunlight (other wise use a protection, if necessary, that should not interfere with the air flow).
 - Leave the spaces as shown in the picture for
 - The air to circulate freely.
 - Install the outdoor unit in a safe and solid place.
 - If the outdoor unit is subject to vibration, place rubber gaskets onto the feet of the unit.
 - Install the indoor unit in the room to be air conditioning, avoiding to installation in corridors or communal areas.
 - Install the indoor unit at a height of at least 2.5m
 - from the ground.
- Minimum space to be left (mm) showing in the

picture.

2.4 Electricity and wiring

Safety precaution

- 1) Must follow the electric safety regulations when installing the unit.
- 2) According to the local safety regulations, use qualified power supply circuit and air switch.
- 3) Make sure the power supply matches with the requirement of air conditioner. Unstable power supply or incorrect wiring may result in electric shock, fire hazard or malfunction. Please install proper power supply cables before using the air conditioner.

The power cord should be selected according to the following specifications sheet.

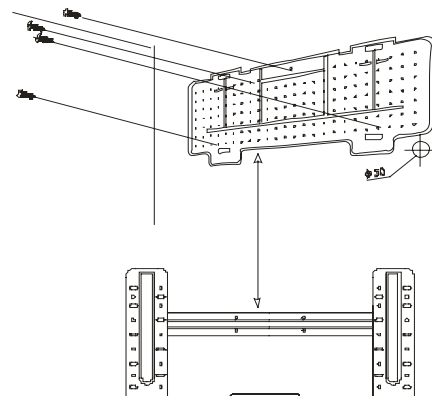
Appliance Amps(A)	Wire Size (mm ² /in ²)
5	0.75/0.0012
10	1.0/0.0016
13	1.5/0.0023
18	1.6/0.0025
25	2.0/0.0031
30	2.5/0.0039

2.5 IDU Installation

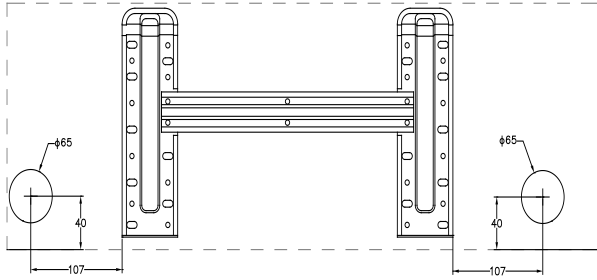
To install, proceed as follows:

2.5.1 Installation of the mounting plate.

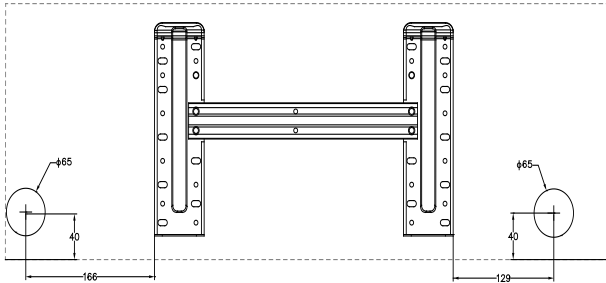
- 1) By using a level, put the mounting plate in a perfect square position vertically and horizontally.
- 2) Drill 32mm deep holes in the wall to fix the plate.
- 3) Insert the plastic anchors into the hole.
- 4) Fix the mounting plate by using the provided tapping screws.
- 5) Check that the mounting plate is correctly fixed.



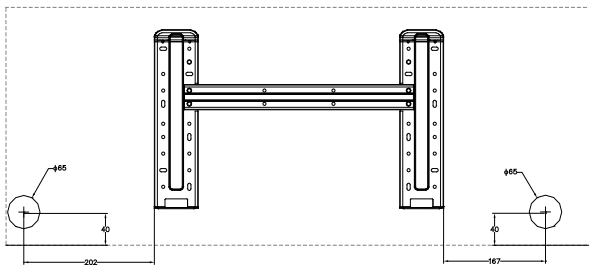
9K



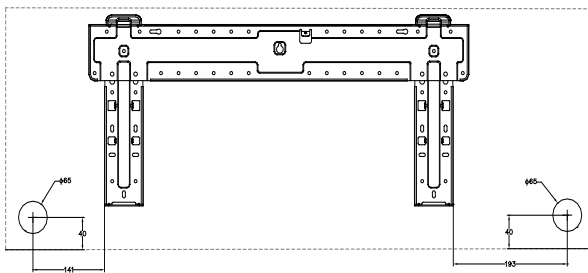
12K



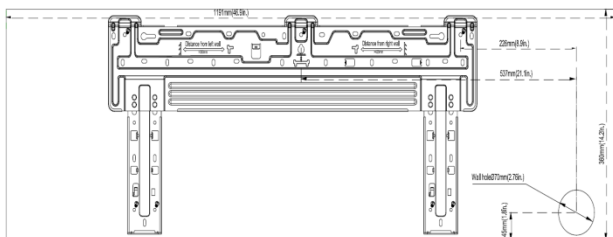
18K



24K



36K



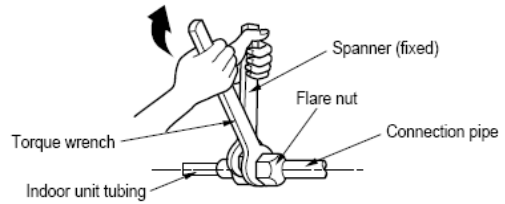
Note: The shape of the mounting plate may be different from the one above, but installation method is similar.

2.5.2 Drilling a hole in the wall for the piping

1) Decide where to drill the hole in the wall for the

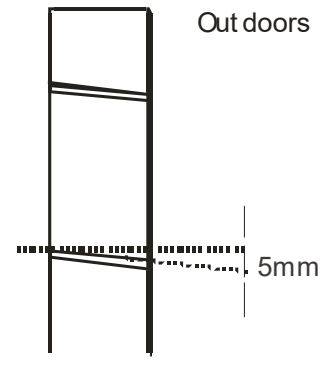
piping (if necessary) according to the position of the mounting plate

2) Install a flexible flange through the hole in the wall to keep the latter intact and clean.



Indoors

Out doors

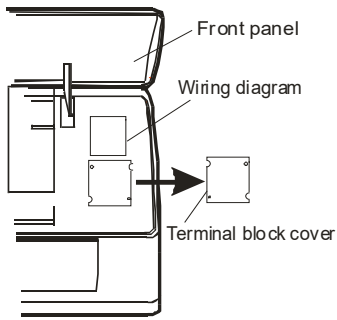


The hole must slope downwards towards the exterior.

Note: Keep the drain pipe down towards the direction of the wall hole, otherwise leakage may occur.

2.5.3 Electrical connections---Indoor unit

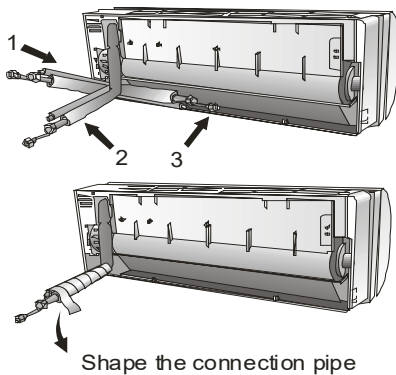
- 1). Lift the front panel.
- 2). Take off the cover as indicated in the picture (by removing a screw or by breaking the hooks).
- 3). For the electrical connections, see the circuit diagram on the right part of the unit under the front panel.
- 4). Connect the cable wires to the screw terminals by following the numbering. Use wire size suitable to the electric power input (see name plate on the unit) and according to all current national safety code requirements.
- 5). The cable connecting the outdoor and indoor units must be suitable for outdoor use.
- 6). The plug must be accessible also after the appliance has been installed so that it can be pulled out if necessary.
- 7). An efficient earth connection must be ensured.
- 8). If the power cable is damaged, it must be replaced by an authorized Service Centre.



★ Refrigerant piping connection

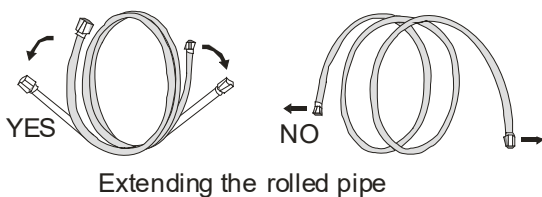
The piping can be run in the 3 directions indicated by numbers in the picture. When the piping is run in direction 1 or 3, cut a notch along the groove on the side of the indoor unit with a cutter.

Run the piping in the direction of the wall hole and bind the copper pipes, the drain pipe and the power cables together with the tape with the drain pipe at the bottom, so that water can flow freely.



2.5.4 Connecting the pipes.

- Do not remove the cap from the pipe until connecting it, to avoid dampness or dirt from entering.
- If the pipe is bent or pulled too often, it will become stiff. Do not bend the pipe more than three times at one point.
- When extending the rolled pipe, straighten the pipe by unwinding it gently as shown in the picture.

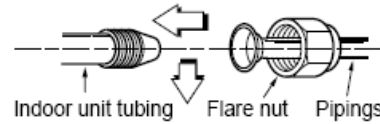


2.5.5 Connections to the indoor unit

- 1). Remove the indoor unit pipe cap (check that

there is no debris inside).

- 2). Insert the flare nut and create a flare at the extreme end of the connection pipe.

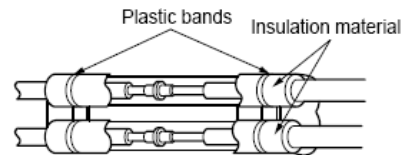


- 3). Tighten the connections by using two wrenches working in opposite directions.

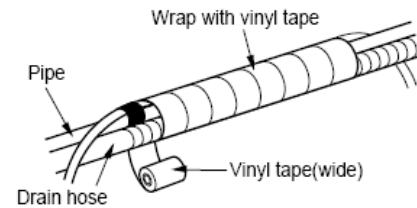
When extending the drain hose at the indoor unit, install the drain pipe.

Wrap the insulation material around the connecting portion.

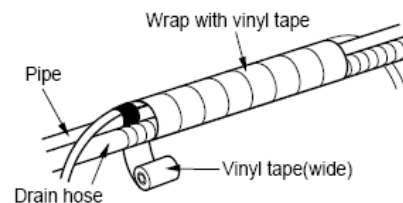
- Overlap the connection pipe insulation material and the indoor unit pipe insulation material. Bind them together with vinyl tape so that there is no gap.



Wrap the area which accommodates the rear piping housing section with vinyl tape.



- Bundle the piping and drain hose together by wrapping them with vinyl tape over the range within which they fit into the rear piping housing section.

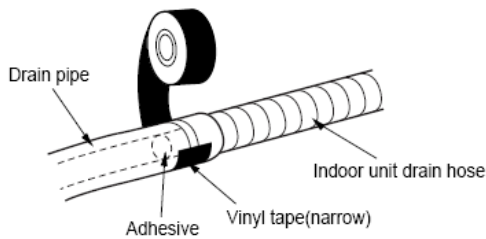


2.5.6 Indoor unit condensed water drainage

The indoor unit condensed water drainage is fundamental for the success of the installation.

- 1). Place the drain hose below the piping, taking care not to create siphons.

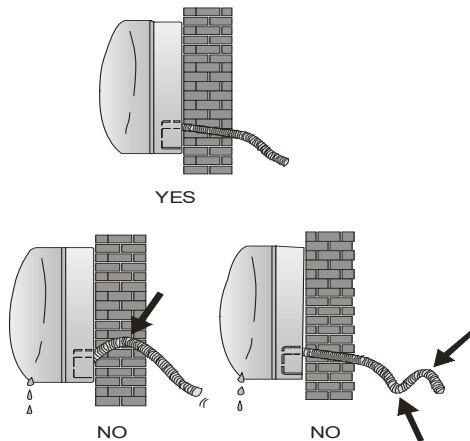
- 2). The drain hose must slant downwards to aid drainage.
- 3). Do not bend the drain hose or leave it protruding or twisted and do not put the end of it in water. If an extension is connected to the drain hose, ensure that it is lagged when it passes into the indoor unit.
- 4). If the piping is installed to the right, the pipes, power cable and drain hose must be lagged and secured onto the rear of the unit with a pipe connection.



- Insert the pipe connection into the relative slot.

Capacity (Btu/h)	Pipe Size (Torque)	
	Gas	Liquid
7/9/12K	3/8" (4.2kg.m/30.3 8ibf.ft)	1/4" (1.8kg.m/13.02 ibf.ft)
18K	1/2" (5.5kg.m/39.7 8ibf.ft)	1/4" (1.8kg.m/13.02 ibf.ft)
24K/36K	5/8" (6.6kg.m/47.74 ibf.ft)	3/8" (4.2kg.m/30.38 ibf.ft)

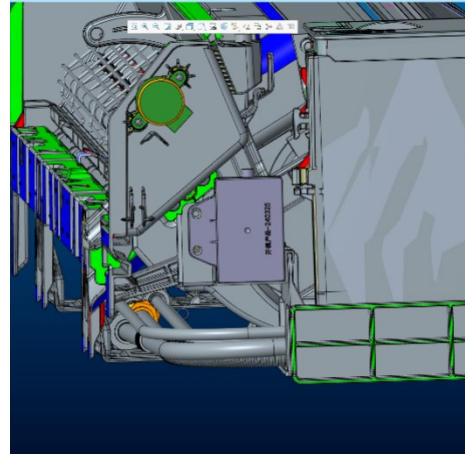
- Press to join the pipe connection to the base.



2.5.7 Refrigerant Detector Installation (Optional)

The refrigerant detector is an optional device installed in the indoor unit, the location to install it as shown below. The refrigerant detector is mounted on the power cord

plate and fixed with two screws (ST4.2×13), parts such as the center frame need to be disassembled when installing it. PCB connection port is CN30. Please refer to part II Installation and Maintenance 4.1 IDU disassembly of this manual for refrigerant detector installation.



2.6 ODU Installation

- The outdoor unit should be installed on a solid wall and fastened securely.
- The following procedure must be observed before connecting the pipes and connecting cables: decide which is the best position on the wall and leave enough space to be able to carry out maintenance easily.
- Fasten the support to the wall using screw anchors which are particularly suited to the type of wall;
- Use a larger quantity of screw anchors than normally required for the weight they have to bear to avoid vibration during operation and remain fastened in the same position for years without the screws becoming loose.
- The unit must be installed following the national regulations.

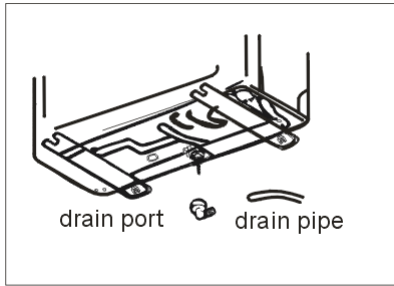
Outdoor unit condensed water drainage (only for heat pump models)

The condensed water and the ice formed in the outdoor unit during heating operation can be drained away through the drain pipe.

- 1) Fasten the drain port in the 25mm hole placed in the part of the unit as shown in the picture.
- 2) Connect the drain port and the drain pipe.

Pay attention that water is drained in a suitable

place.



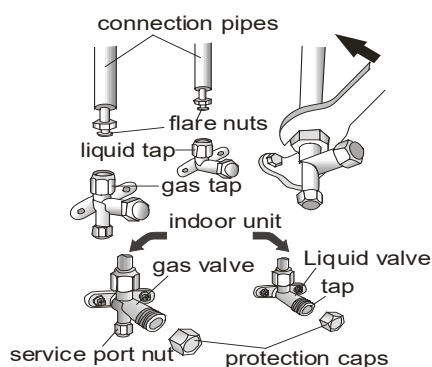
Electronic connections

1. Take the cover away.
2. Connect the cable wires to the terminal board using the same numbering as in the indoor unit.
3. For the electrical connections, see the wiring diagram on the back of the cover
4. Fasten the cables with a cable-clamp.
5. An efficient earth connection must be ensured.
6. Replace the covers.

Connecting the pipe

Screw the flare nuts to the outdoor unit coupling with the same tightening procedures described for the indoor unit.

Note: If the tightening torque is not sufficient, there will probably be some leakage. With excessive tightening torque there will also be some leakage, as the flange could be damaged.

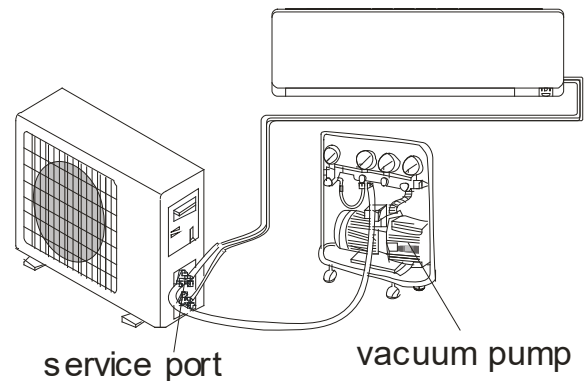


2.7 Vacuum and gas leakage test

1. Use vacuum Pump

- 1) Air and humidity left inside the refrigerant circuit can cause compressor malfunction. After having connected the indoor and outdoor units, bleed the air and humidity from the refrigerant circuit by using a vacuum pump.
- 2) Open the piezometer and operation for 10-15minutes to check if the pressure of piezometer remains in -0.1Mpa.

- 3) Close the vacuum pump and maintain this status for 1-2min to check if the pressure of piezometer remains in -0.1Mpa. If the pressure decrease, there may be leakage.
- 4) Remove the piezometer, open the valve core of liquid valve and gas valve completely.
- 5) Tighten the screw caps of valve and refrigerant charging vent.



2. Leakage Detection

- 1). With leakage detection. Check if there is leakage with leakage detection.
- 2). With soap water. If leakage detection is not available, please use soap water for leakage detection. Apply soap water at the suspected position and keep the soap water for more than 3min. If there are air bubbles coming out of this position, there a leakage.

2.8 Final test

1 Preparation of test operation.

- The client approves the air conditioner installation.
- Specify the important notes for air conditioner to the client.

2 Method of test operation

- Put through the power, press ON/OFF button on the remote controller to start operation.
- Press MODE button the select AUTO, COOL, DRY, FAN and HEAT to check whether the operation is normal or not.
If ambient temperature is lower than 16°C, the air conditioner can't start cooling.

3. Maintenance

3.1 Failure code

Code	Reason	Remark
E0	IDU & ODU Communication failure	The IDU & ODU wiring connection, correct?
E1	IDU Room Temperature sensor failure. (IDU RT failure)	IDU sensor and PCB.
E2	IDU Coil temperature sensor failure. (IDU IPT failure)	IDU sensor and PCB.
E3	ODU Coil temperature sensor failure. (OPT)	ODU coil sensor and ODU PCB
E4	AC Cooling system abnormal	Gas leakage? 2-way or 3-way valve blocked etc.
E5	IDU/ODU mismatched failure (specially performance test on the production line)	/
E6	IDU PG Fan motor / DC fan motor works abnormal (IDU failure)	Fan motor, fan blade and PCB.
E7	ODU Ambient Temperature sensor failure	ODU ambient sensor and ODU PCB.
E8	ODU Discharge Temperature sensor failure.	ODU discharge sensor and ODU PCB.
E9	IPM / Compressor driving control abnormal.	ODU PCB, compressor, etc.
EA	ODU Current Test circuit failure	ODU PCB broken?
Eb	The Communication abnormal of Main PCB and Display board (IDU failure)	Display board and main PCB.
EE	ODU EEPROM failure.	1. ODU PCB broken? 2. Try to re-power on AC unit.
EF	ODU DC fan motor failure.	Fan motor, ODU PCB.
EU	ODU Voltage test circuit abnormal.	ODU PCB.
P0	IPM module protection.	ODU PCB
P1	Over / under voltage protection.	1. ODU PCB broken? 2. Power supply abnormal?
P2	Over current protection.	1. ODU PCB broken? 2. Power supply abnormal?
P4	ODU Discharge pipe Over temperature protection.	Please check the troubleshooting for detail.
P5	Sub-cooling protection on Cooling mode.	Please check the troubleshooting for detail.
P6	Overheating protection on Cooling mode.	Please check the troubleshooting for detail.
P7	Overheating protection on Heating mode.	Please check the troubleshooting for detail.
P8	Outdoor Over temperature/Under temperature protection.	Please check the troubleshooting for detail.
P9	Compressor driving protection (Load abnormal).	Please check the troubleshooting for detail.
PA	Communication failure for TOP flow unit/ Preset mode conflict. (IDU failure)	Please check the troubleshooting for detail.
F0	Infrared Customer feeling test sensor failure. (IDU failure)	Querying by press remote controller
F1	Electric Power test module failure. (IDU failure)	Querying by press remote controller
F2	Discharge temperature sensor failure PROTECTION.	Please check the troubleshooting for detail.
F3	ODU coil temperature failure PROTECTION.	Please check the troubleshooting for detail.
F4	Cooling system gas flow abnormal PROTECTION.	Please check the troubleshooting for detail.

F5	PFC PROTECTION	Please check the troubleshooting for detail.
F6	The Compressor lack of phase / Anti-phase PROTECTION.	Please check the troubleshooting for detail.
F7	IPM Module temperature PROTECTION	Please check the troubleshooting for detail.
F8	4-Way Valve reversing abnormal.	Please check the troubleshooting for detail.
F9	The module temperature test circuit failure.	ODU PCB
FA	The compressor Phase-current test circuit failure.	ODU PCB
Fb	Limiting/Reducing frequency for Over load protection on Cooling/Heating mode.	Querying by press remote controller
FC	Limiting/Reducing frequency for High power consumption protection.	Querying by press remote controller
FE	Limiting/Reducing frequency for Module current protection (phase current of compressor).	Querying by press remote controller
FF	Limiting/Reducing frequency for Module temperature protection.	Querying by press remote controller
FH	Limiting/Reducing frequency for Compressor driving protection.	Querying by press remote controller
FP	Limiting/Reducing frequency for anti-condensation protection.	Querying by press remote controller
FU	Limiting/Reducing frequency for anti-frost protection.	Querying by press remote controller
Fj	Limiting/Reducing frequency for Discharge over temperature protection.	Querying by press remote controller
Fn	Limiting/Reducing frequency for ODU AC Current protection.	Querying by press remote controller
Fy	Gas leakage protection	Please check the troubleshooting for detail.
bf	TVOC sensor failure (IDU failure, optional)	Querying by press remote controller
bc	PM2.5 sensor failure (IDU failure, optional)	Querying by press remote controller
bj	Humidity sensor failure. (IDU failure)	Querying by press remote controller
Fd	Refrigerant detector failure	Refrigerant detector failure or PCB is not receiving a response from the refrigerant detector
Hd	Refrigerant leakage protection	The detector detects refrigerant leakage

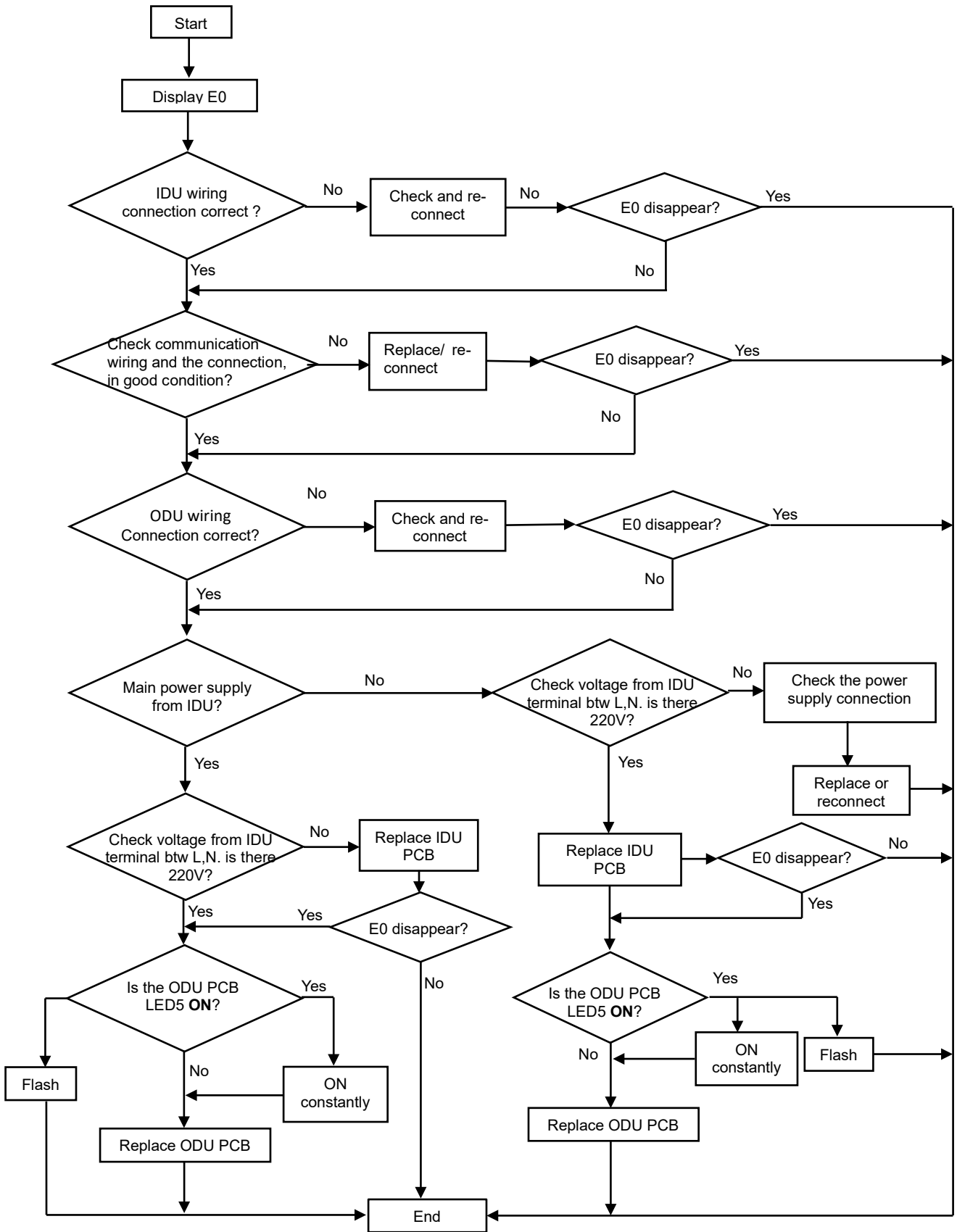
Note: Remote controller FAILURE CODE Querying function

As shown in the failure codes, some of the codes (Fb~bj) need to press remote control for inspection.

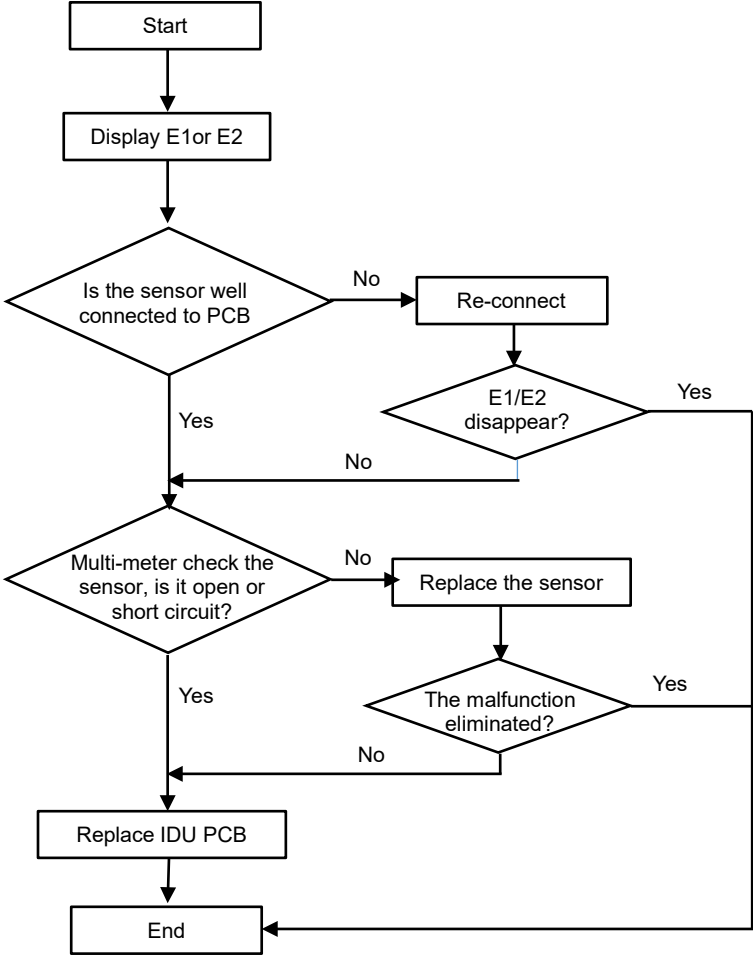
While unit on operation, press the ECO button 8 times with 8 seconds, the buzzer BIBI 2 times, you can inspect the special failure code as Fb ~Fn, bj etc.

3.2 Troubleshooting

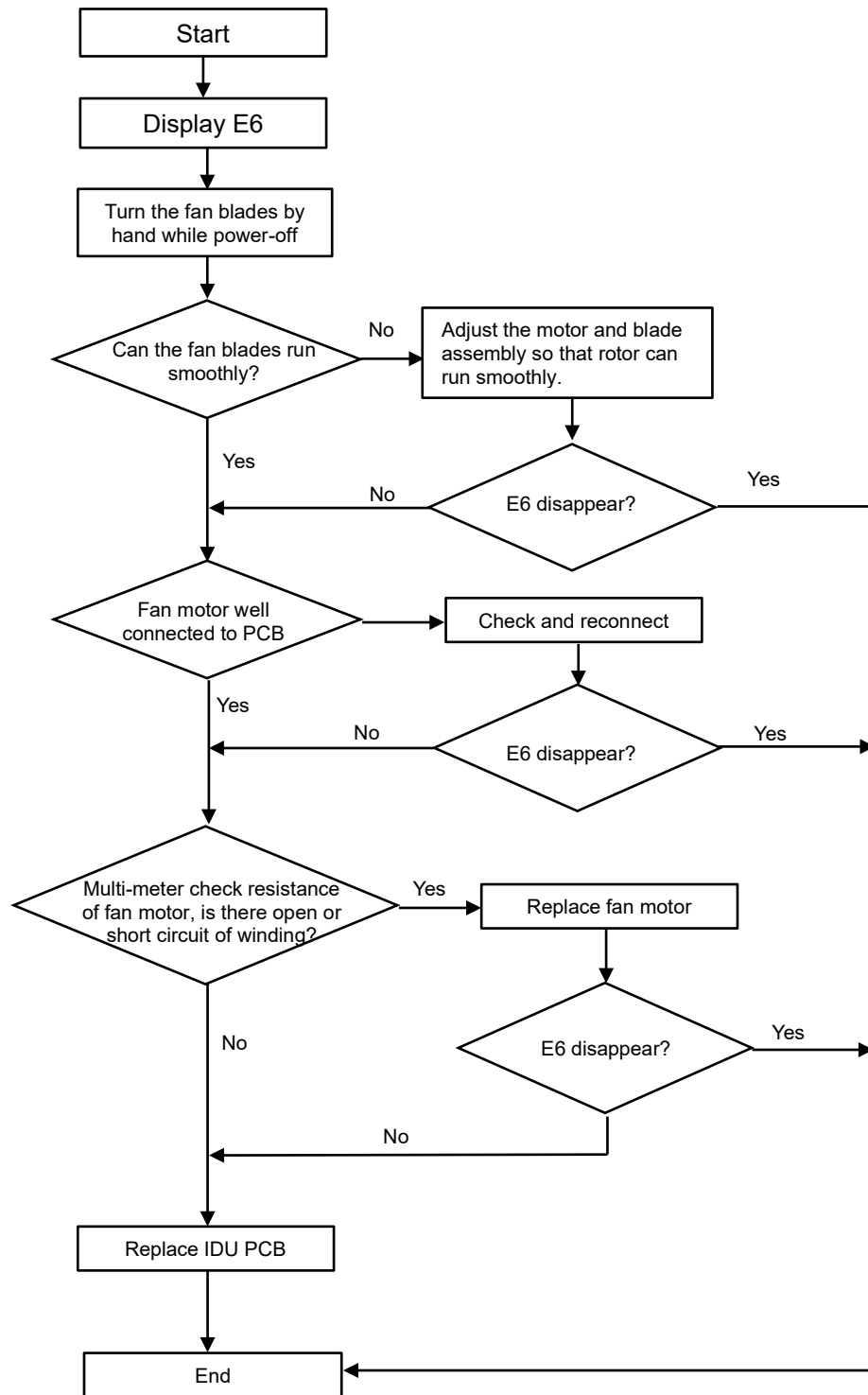
3.2.1 E0 ---IDU & ODU communication failure



3.2.2 E1, E2 ---IDU Room temperature sensor and/or coil temperature sensor failure.

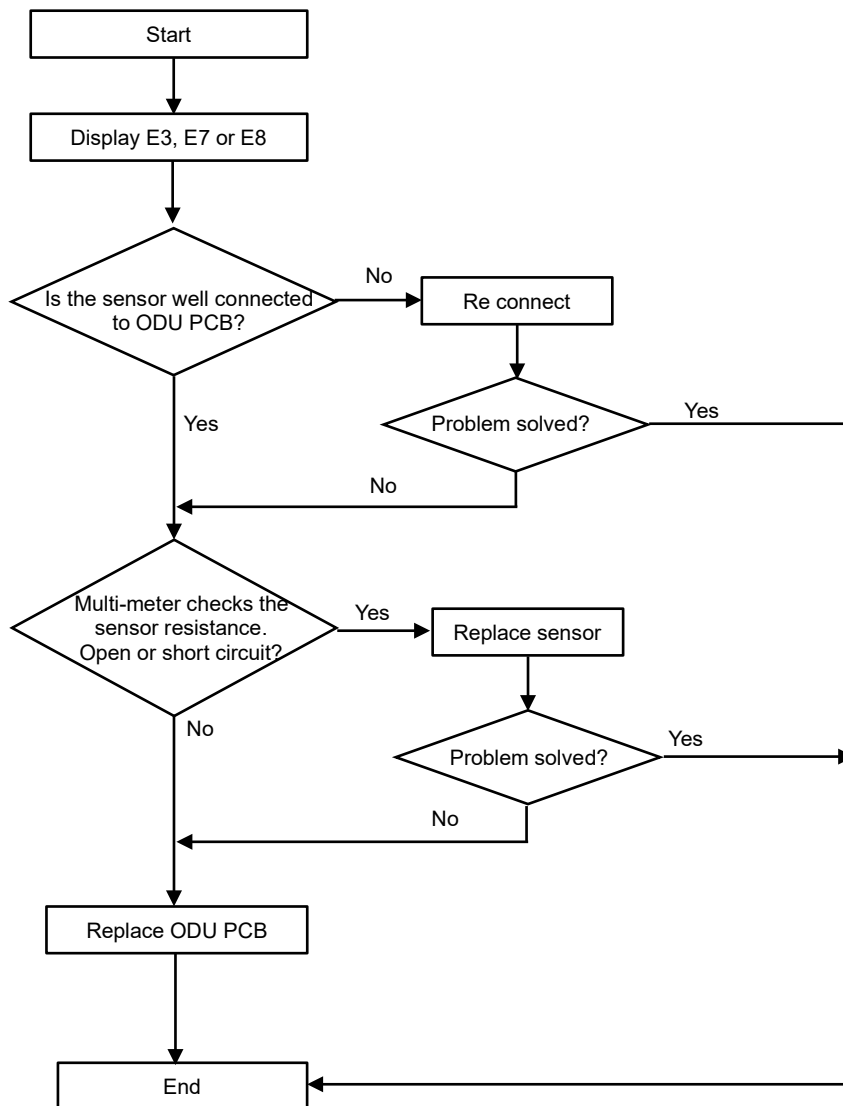


3.2.3 E6----IDU ventilation failure (PG and DC fan motor only)



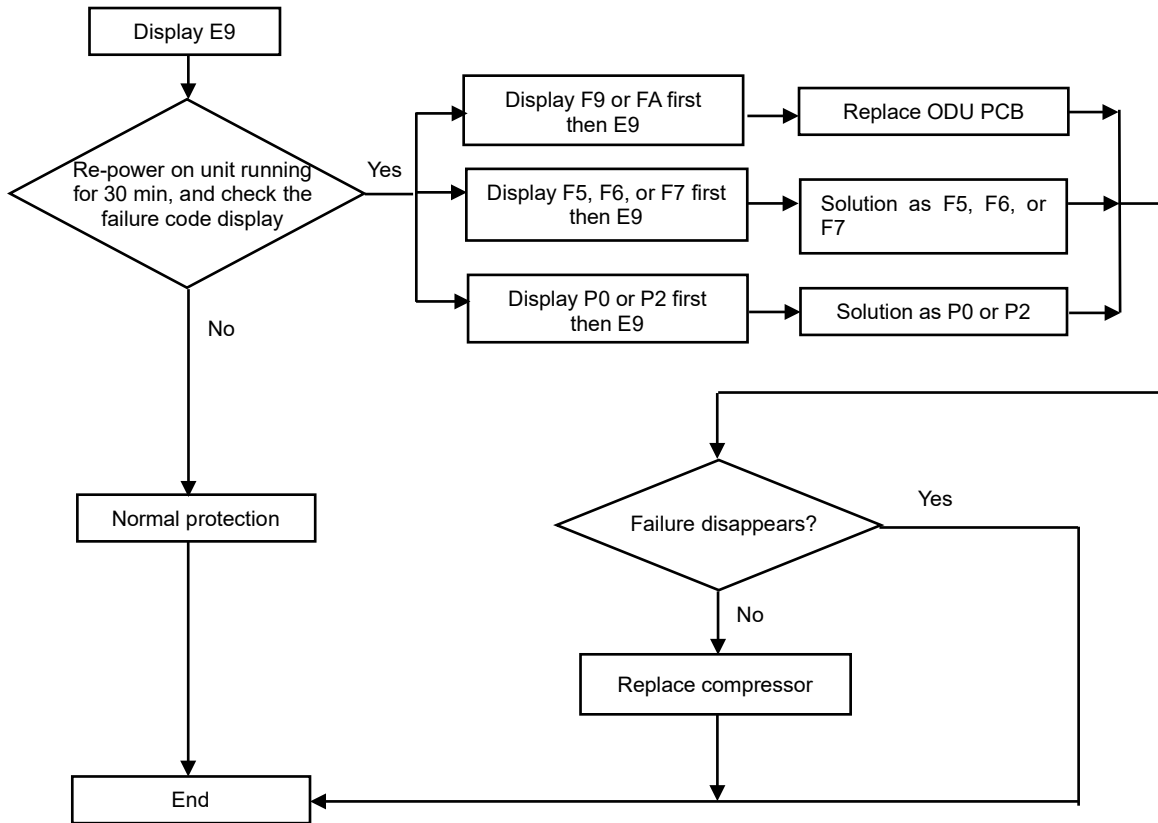
3.2.4 E3, E7 or E8----ODU Coil temperature sensor, Ambient temperature sensor or Discharge temperature sensor failure.

When any of the sensor resistance open or short circuit , unit will display failure code as E3/E7 or E8, IDU and ODU turns off. When the sensor resistance recovery, unit revert to be standby, customer can switch on the unit directly.



3.2.5 E9---ODU IPM /Compressor drive fault

If unit have 6 times stopping works for IPM protection (P0) continuously, it will display E9 error, and unit can't be recovered to operation, except press ON/OFF button.



Remark:

1. F9 code

Reason: The IPM module temperature test circuit failure.

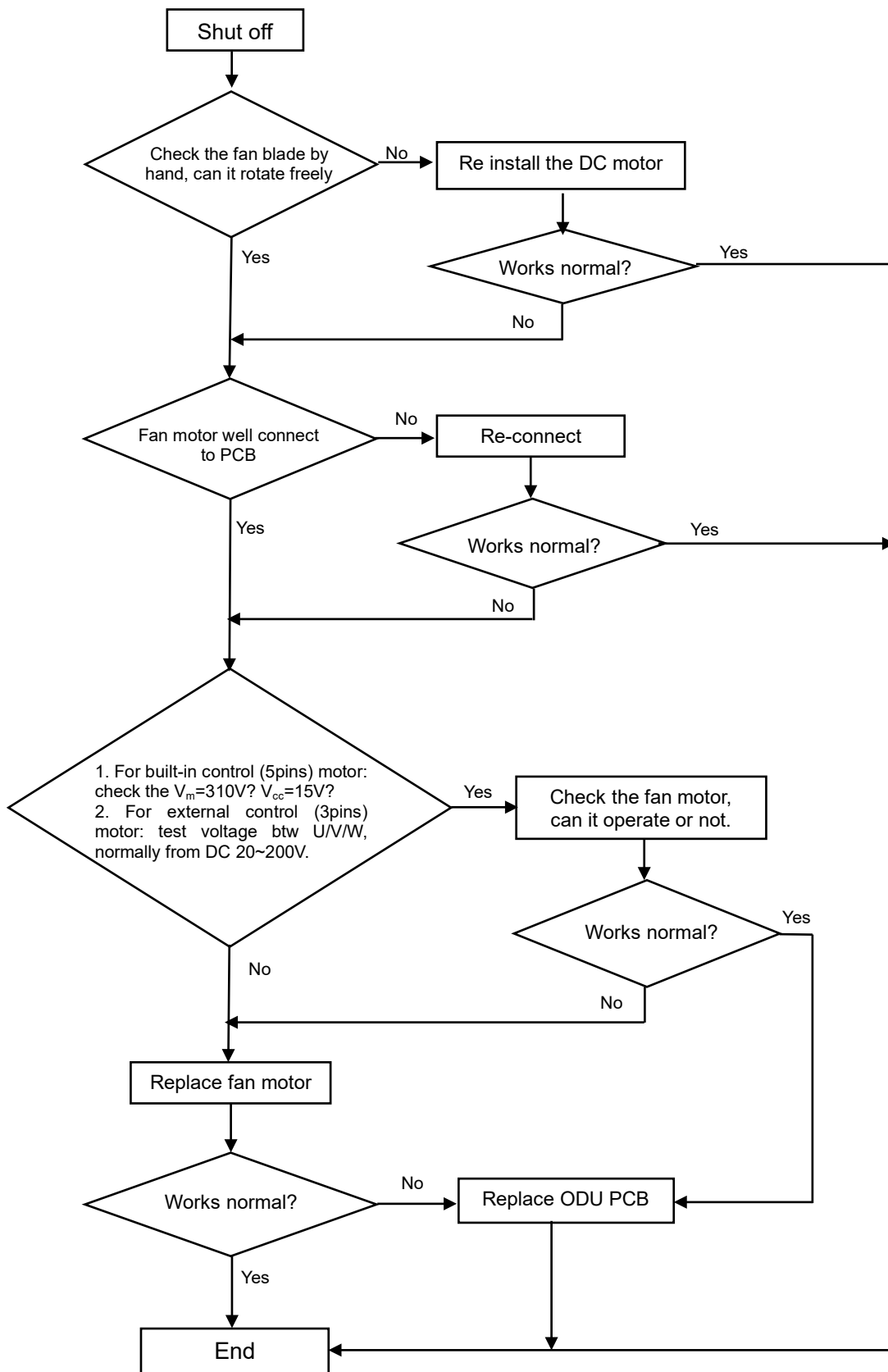
Solution: Replace the ODU PCB.

2. FA code

Reason: The compressor phase-current test circuit failure.

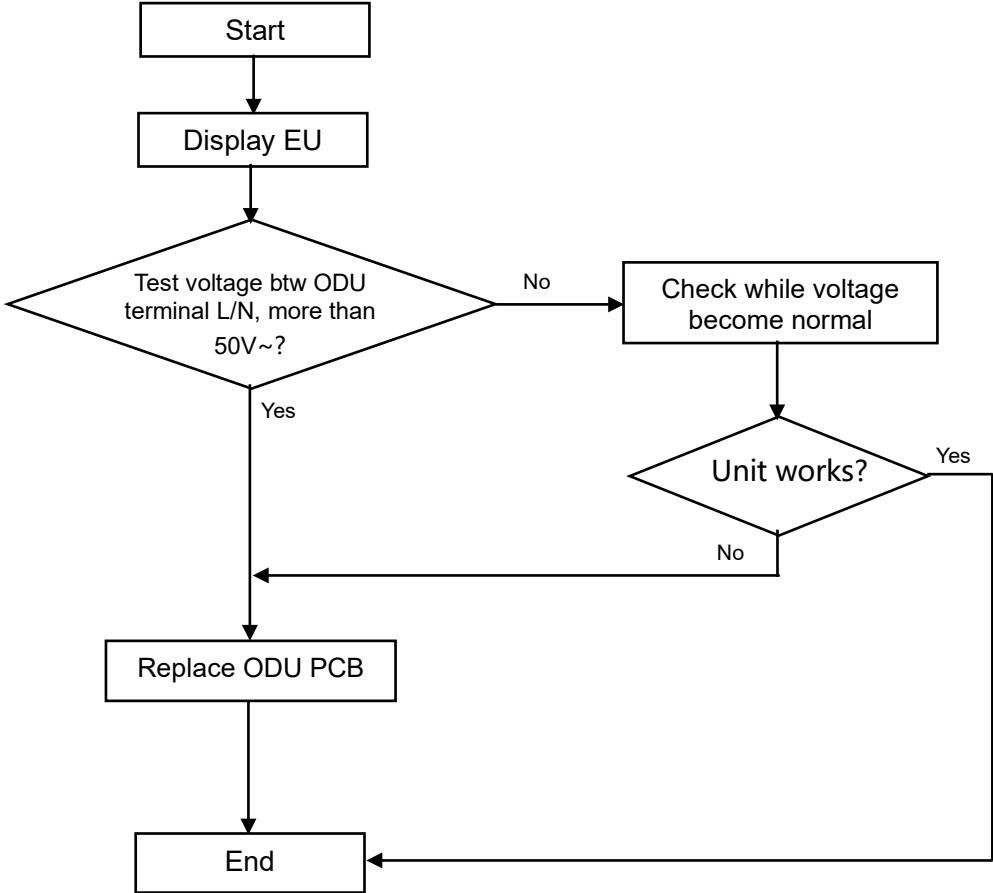
Solution: Replace the ODU PCB.

3.2.6 EF---ODU DC fan motor failure



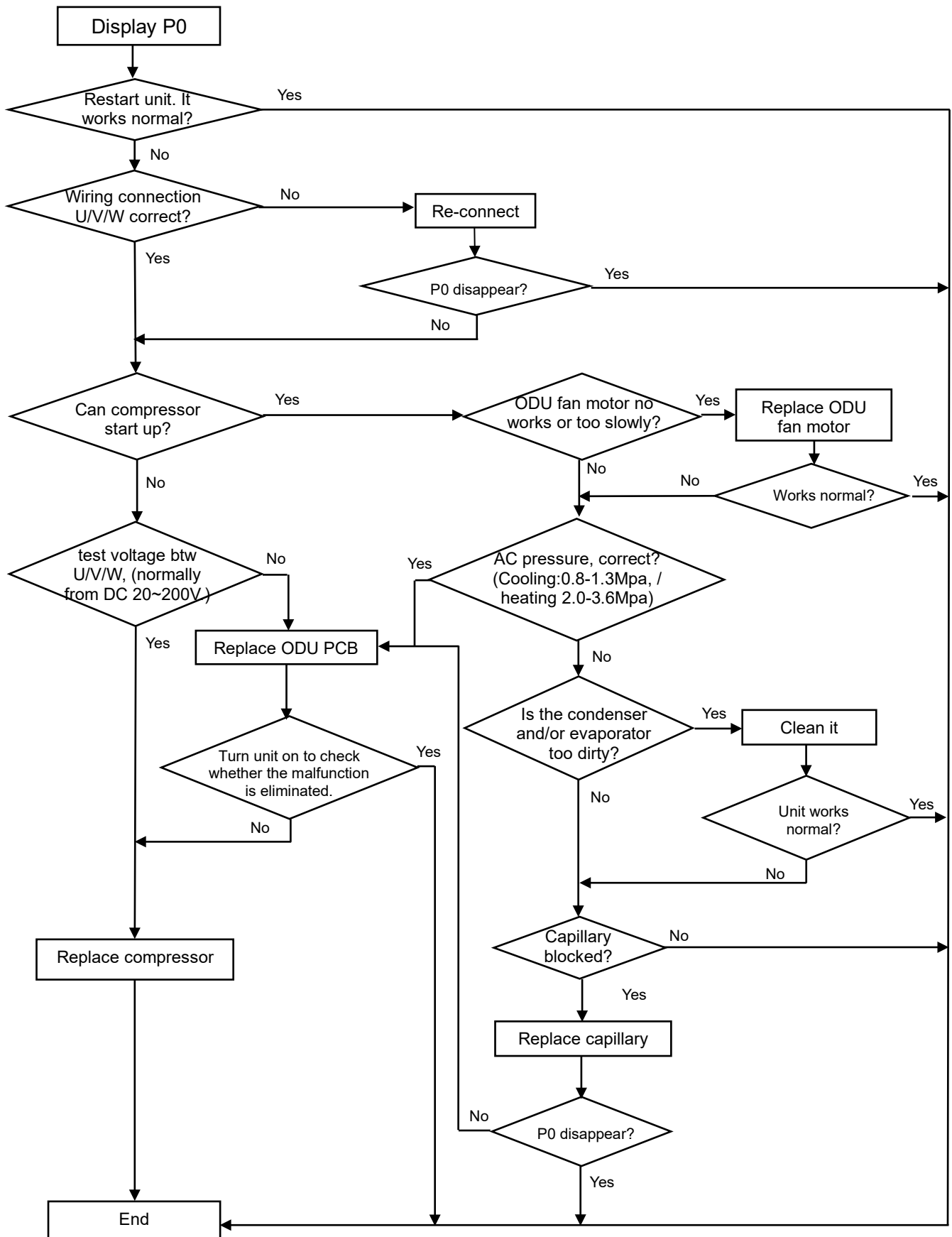
3.2.7 EU---ODU voltage test sensor failure

After power relay works, when tested voltage effective value less than 50V for 3s continuously, unit will display EU.



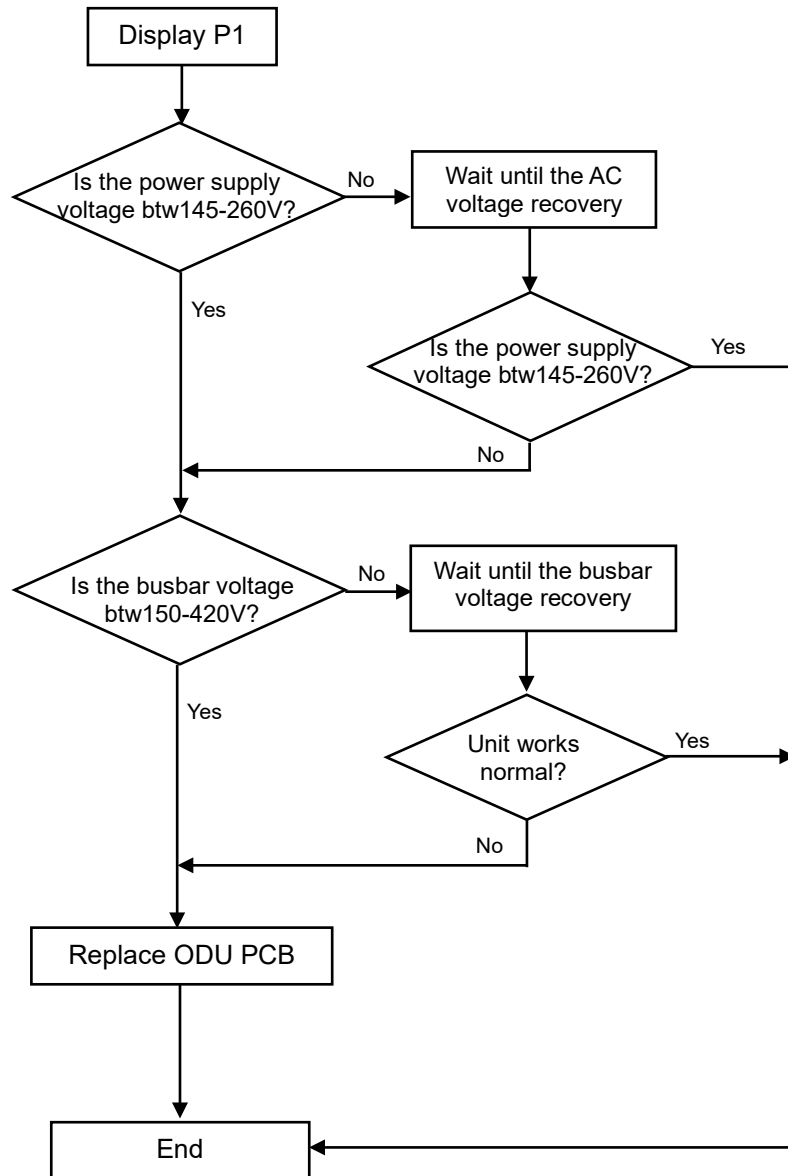
3.2.8 P0---IPM protection

When overheat or overcurrent for IPM, AC unit will display P0protection.



3.2.9 P1--- Over / under voltage protection

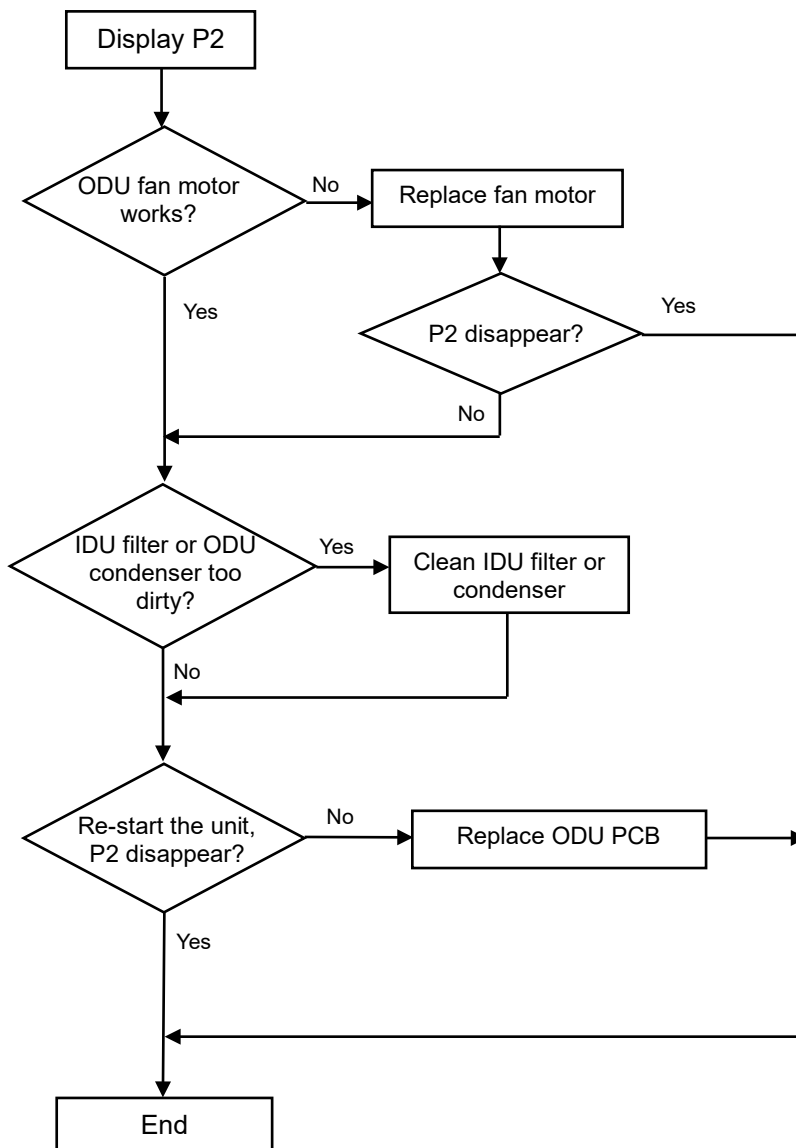
1. Test voltage between L &N, When the power supply $V > AC260V$ or $V < AC150V$, AC will display P1 protection, unit will recover back to previous status while $V > AC155V$.
2. Test voltage on the big size electrolytic capacitor of ODU PCB, When DC busbar voltage $V > DC420V$ or $V < DC150V$, unit will recover back to previous status while $DC190V < V < DC410V$



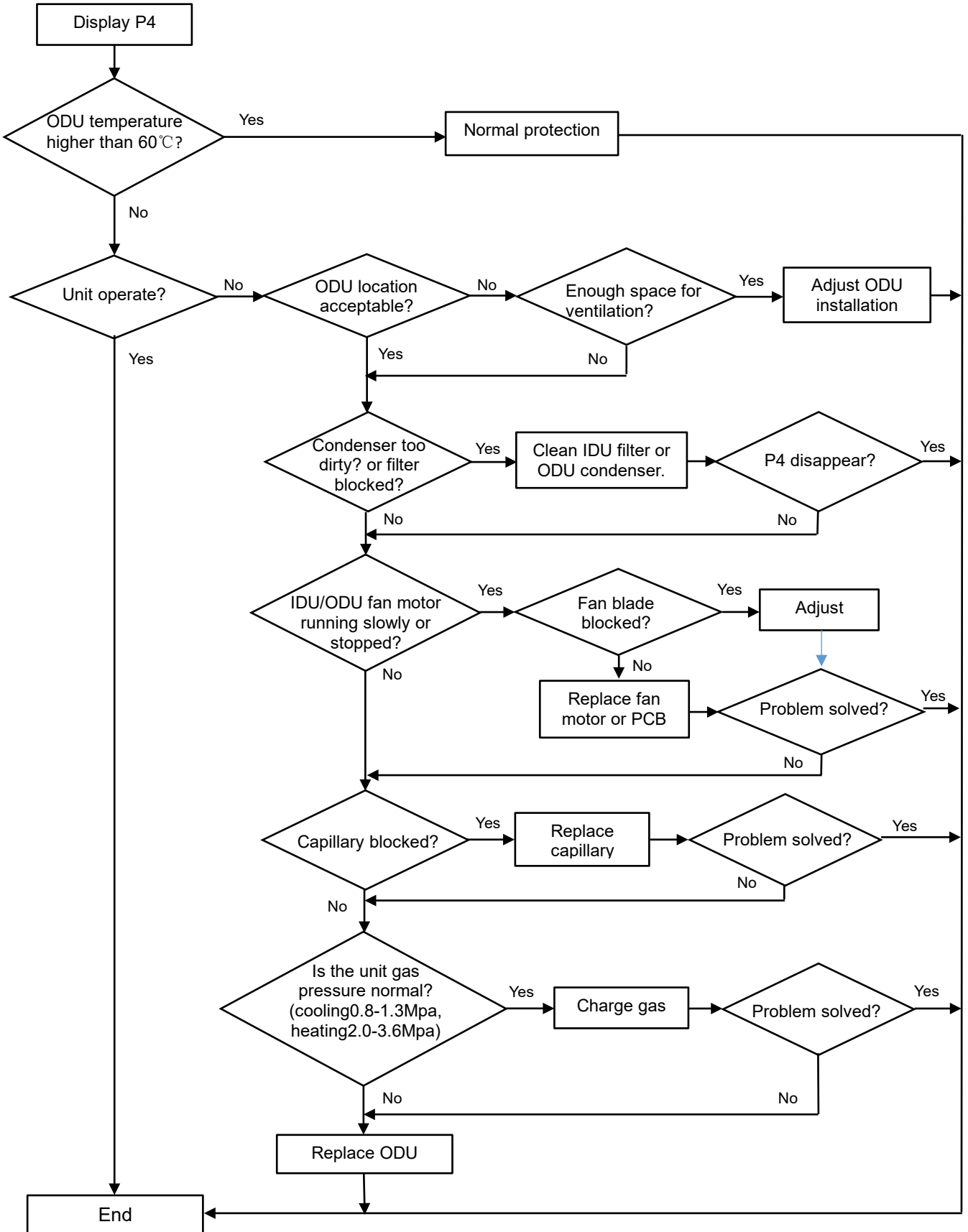
3.2.10 P2---Over Current protection

When the AC unit running current more than I_{max} , it will stop and display P2 protection.

Note: for different AC model, I_{max} has difference value.

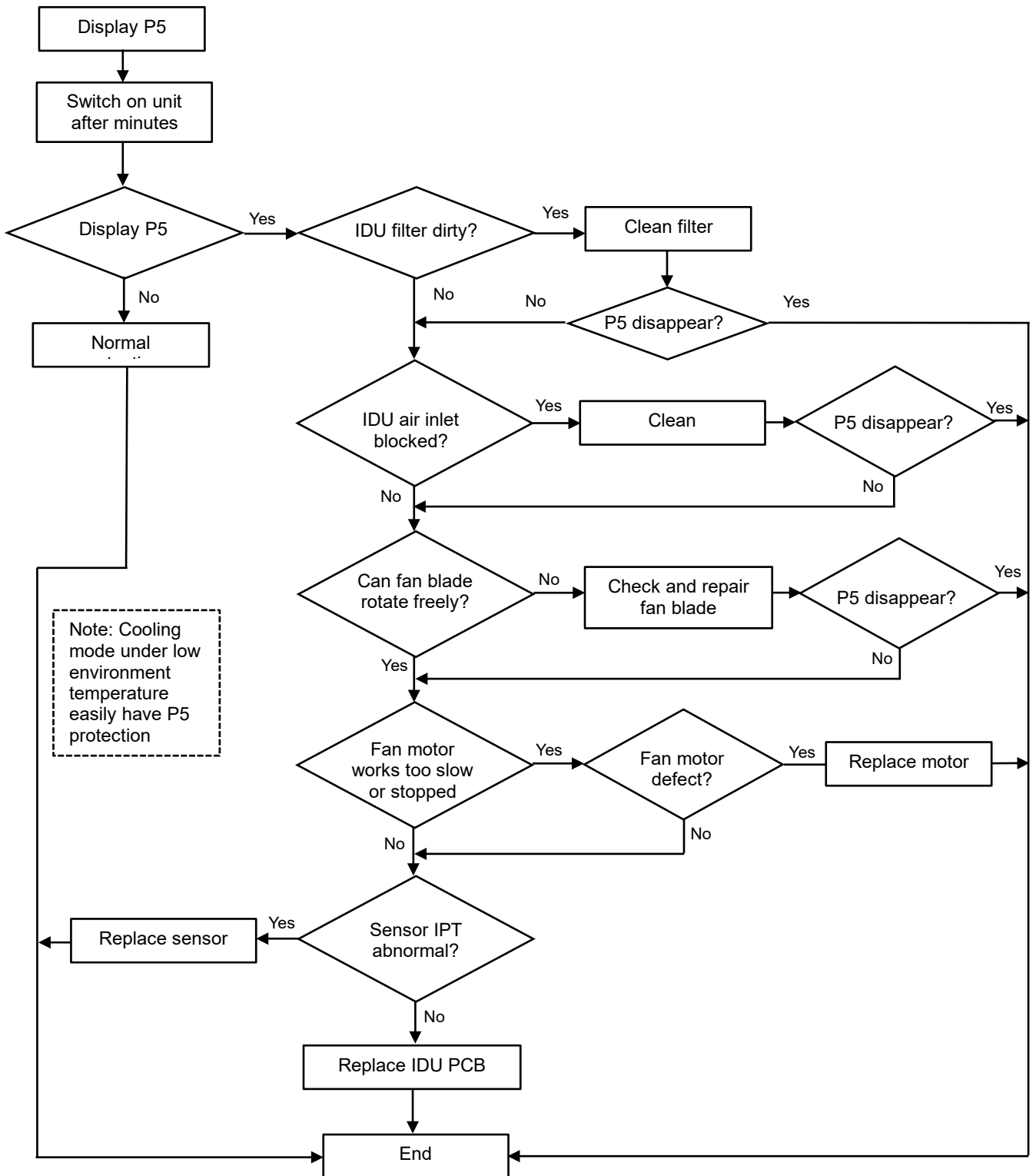


3.2.11 P4 ---ODU Discharge temperature overheating protection



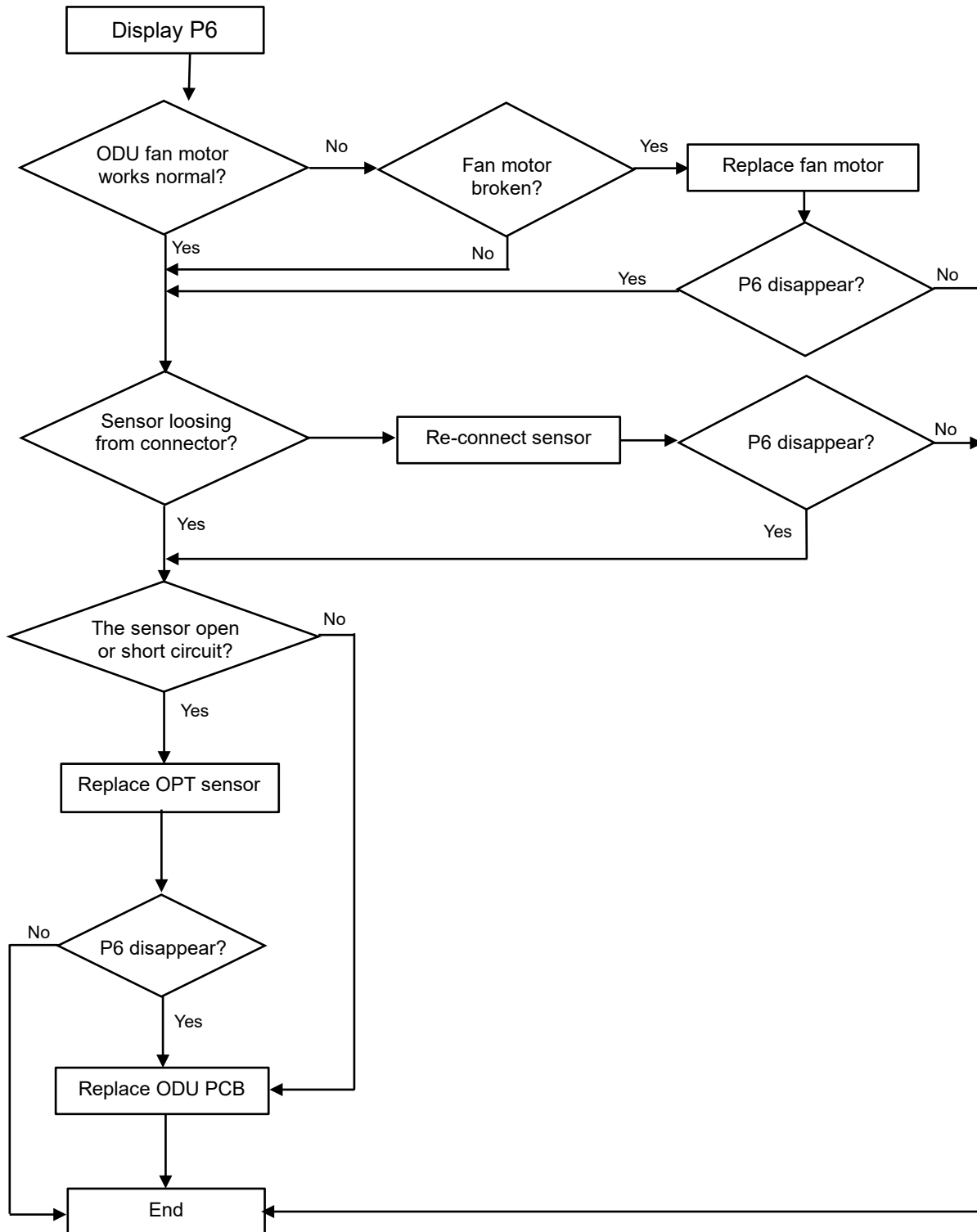
3.2.12 P5---Sub-cooling protection on Cooling/Dry mode

On Cooling or Dry mode, when IDU evaporator coil temperature $IPT < 1^{\circ}\text{C}$ continuously for 3 min after compressor start up for 6 min, CPU will switch off outdoor unit and show P5 failure code.



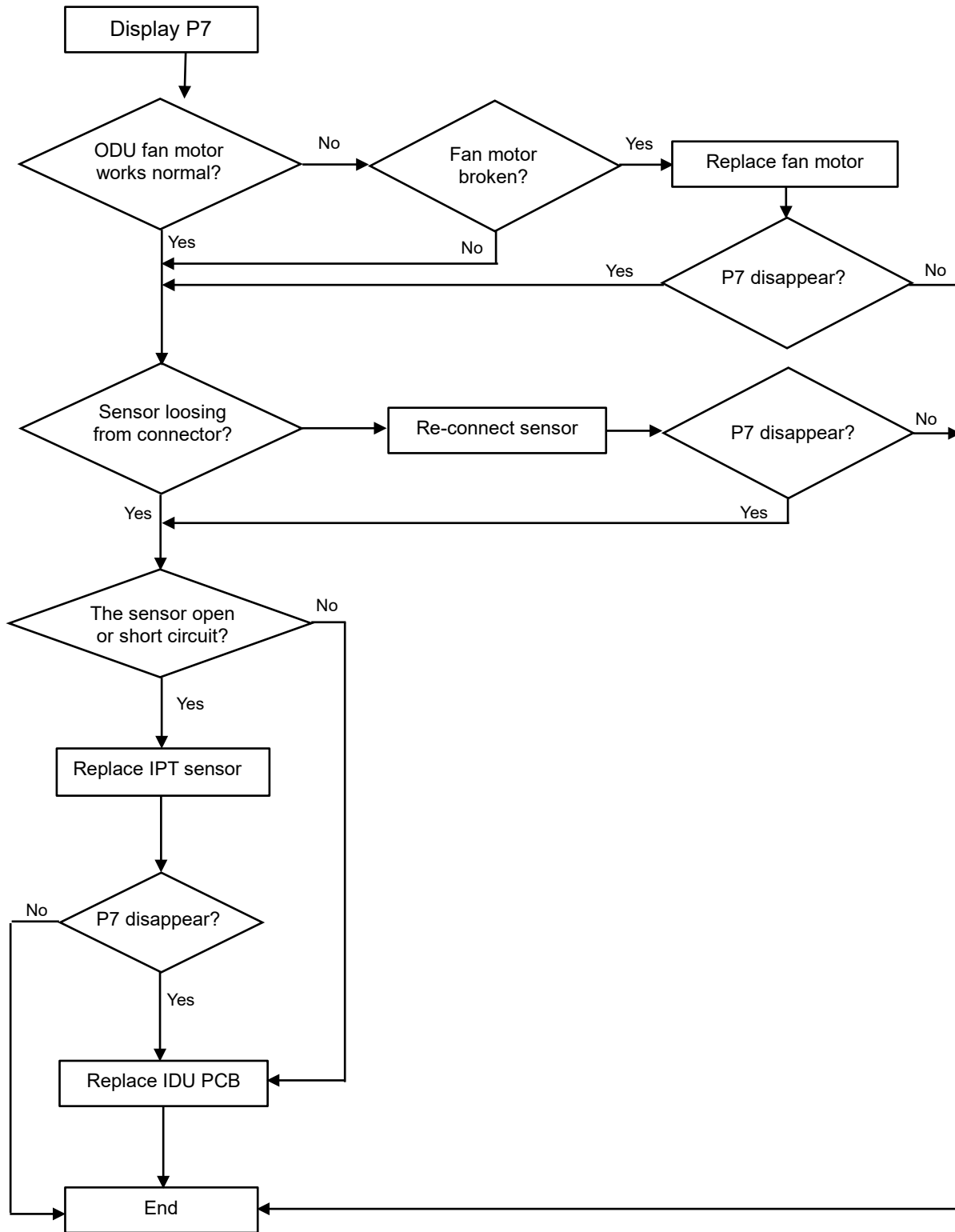
3.2.13 P6---Overheating protection on Cooling mode

On Cooling or Dry mode, when ODU condenser coil temperature $OPT \geq 62^{\circ}\text{C}$, MCU will switch off outdoor unit and show P6 failure code.



3.2.14 P7---Overheating protection on Cooling mode

On heating mode, when IDU evaporator coil temperature $IPT \geq 62^{\circ}\text{C}$, ODU PCB will switch off outdoor unit and show P7 failure code.



3.2.15 P8---Outdoor Overtemperature/Under-temperature protection

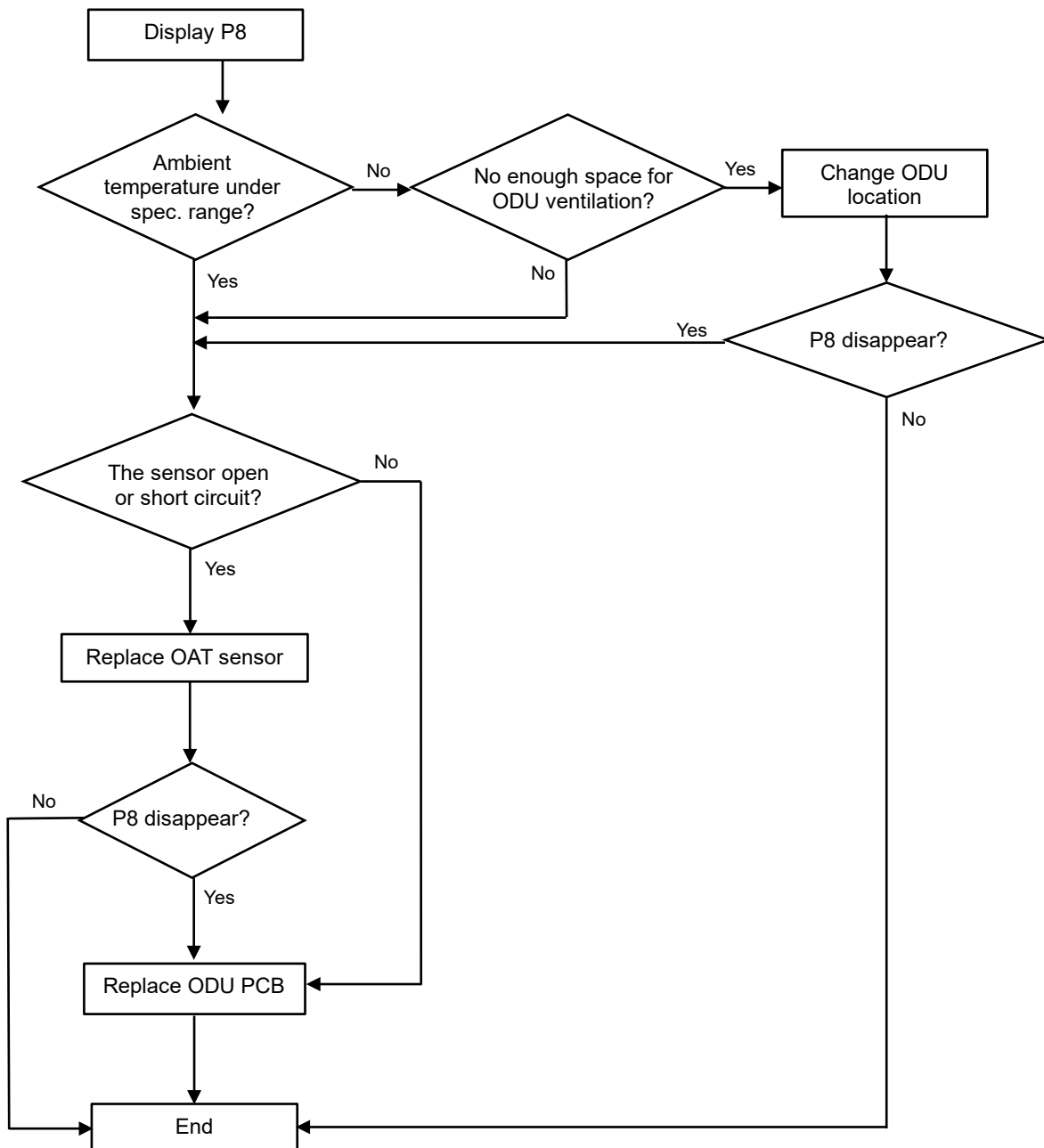
When environment temperature as below condition, the compressor will stop working, after 200s delay, the IDU will show P8 failure code.

(1). **On Cooling or Dry mode:** ODU ambient temperature: $OAT < -20^{\circ}\text{C}$ or $OAT > 63^{\circ}\text{C}$;

(2). **On Heating mode:**

a. $OAT \geq 40^{\circ}\text{C}$ or

b. $30^{\circ}\text{C} < OAT \leq 40^{\circ}\text{C}$ and $RT > 35^{\circ}\text{C}$



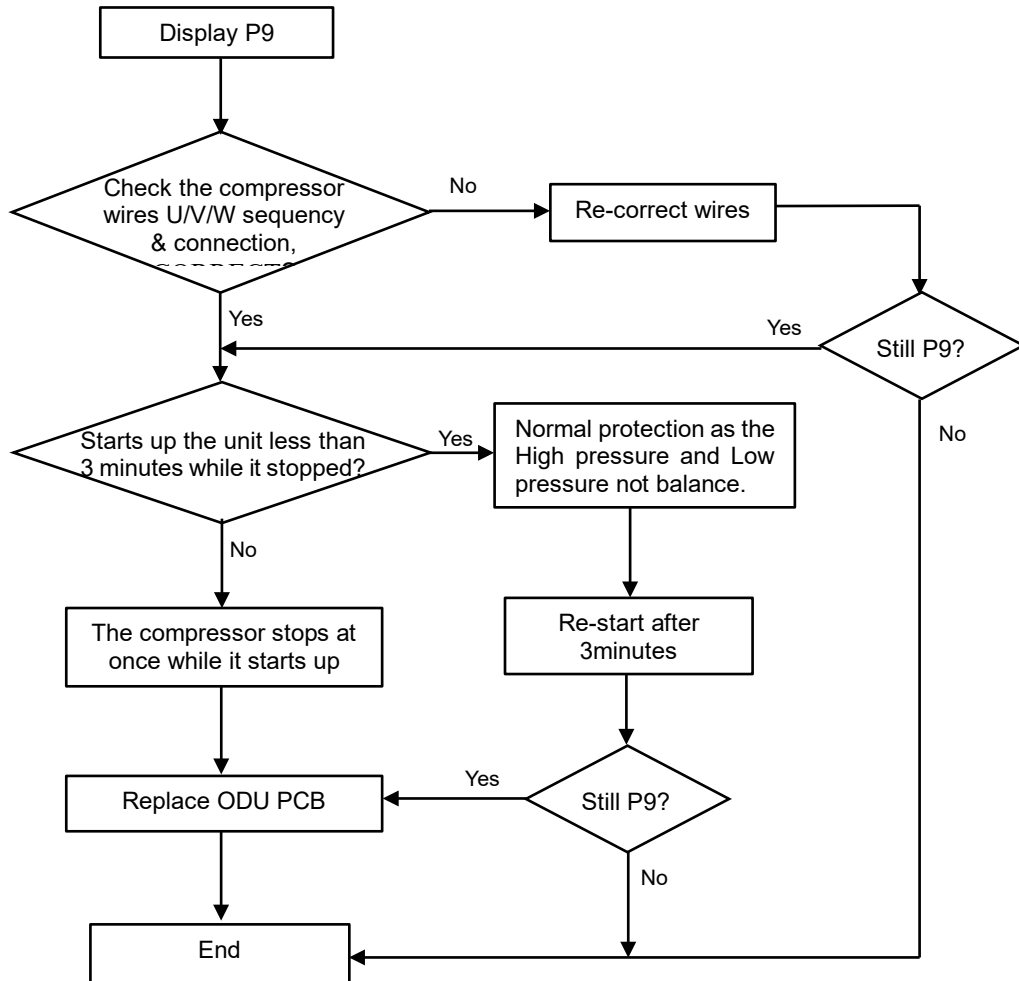
3.2.16 P9---The compressor driving protection (the compressor load abnormal)

When compressor start up or in the process of operation, if:

- (1). MCU can't test the feedback signal from compressor, or
- (2). Tested a abnormal signal from compressor, or
- (3). The compressor startup abnormal.

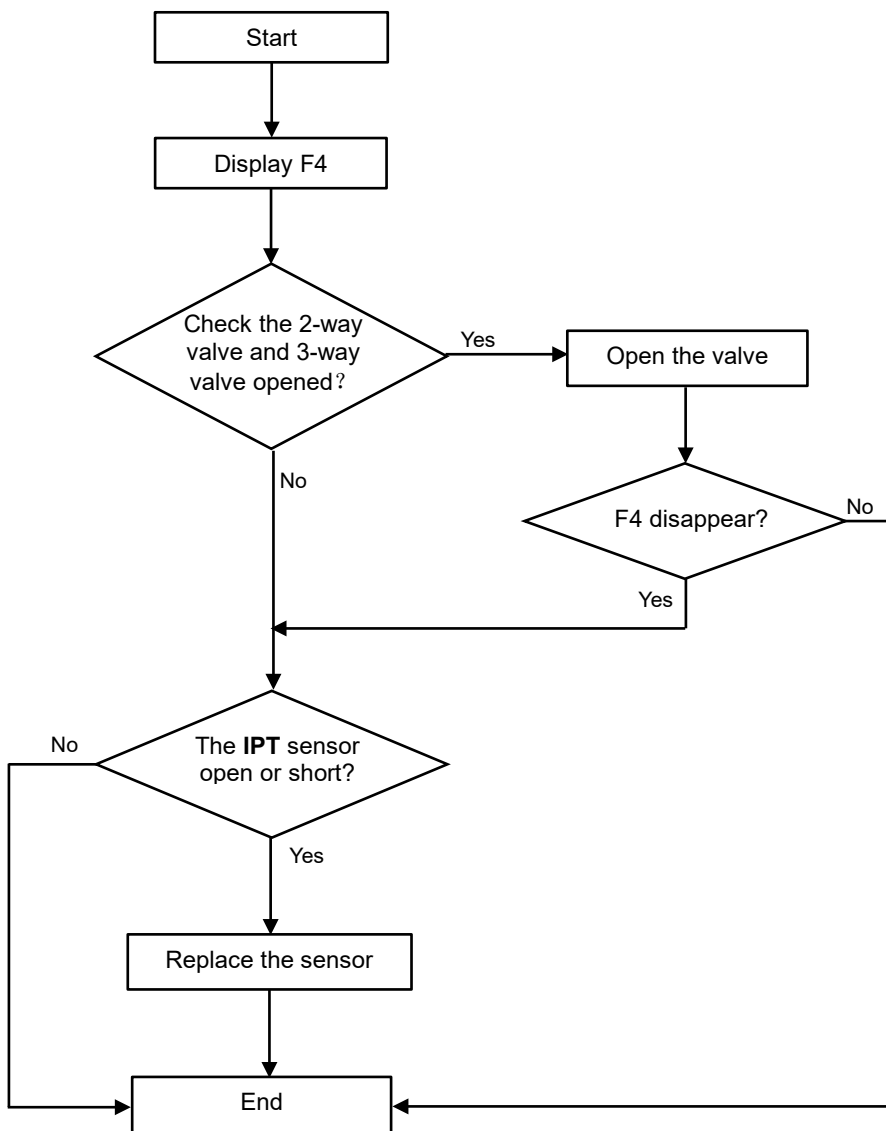
The outdoor unit will shut off, and show P9 protection.

(The unit will re-startup 6 times continuously, if it still can't work normal, then show P9 code)



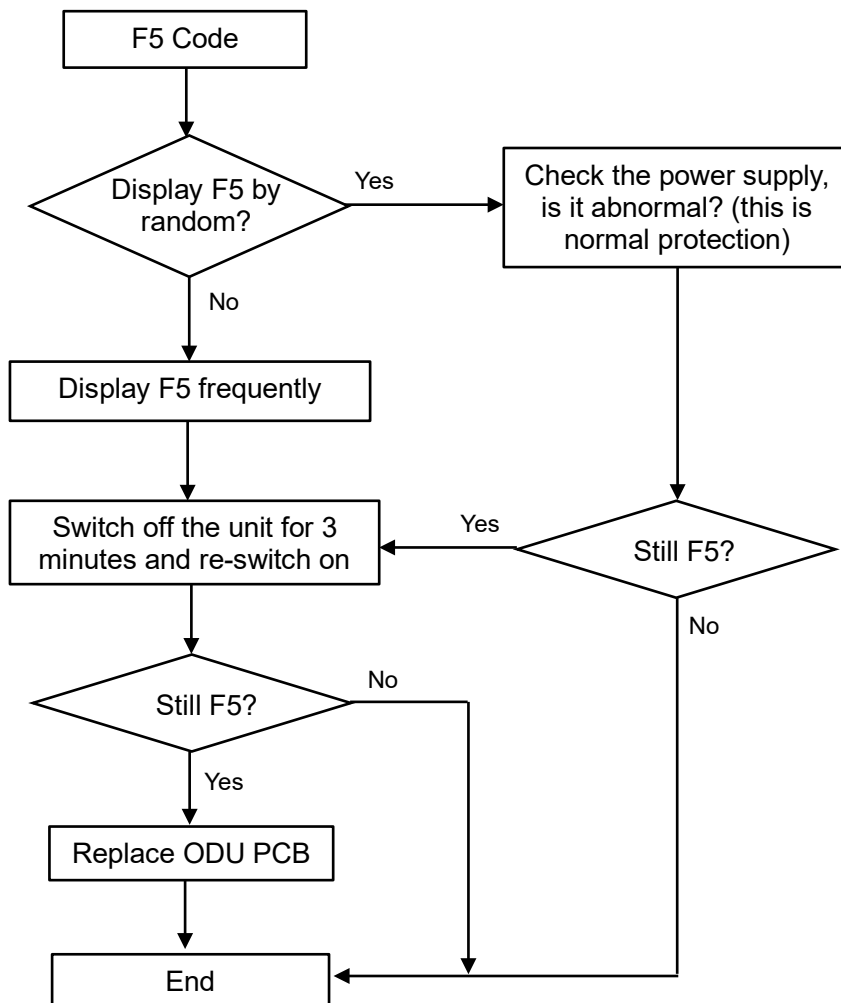
3.2.17 F4---Cooling system Gas flow abnormal protection

When compressor startup, unit will check the variation of IDU coil temperature. If there is mistake installer forgetting to open the 2-way or 3-way valve on ODU, the gas can't flow in the cooling system, it will show F4 protection.



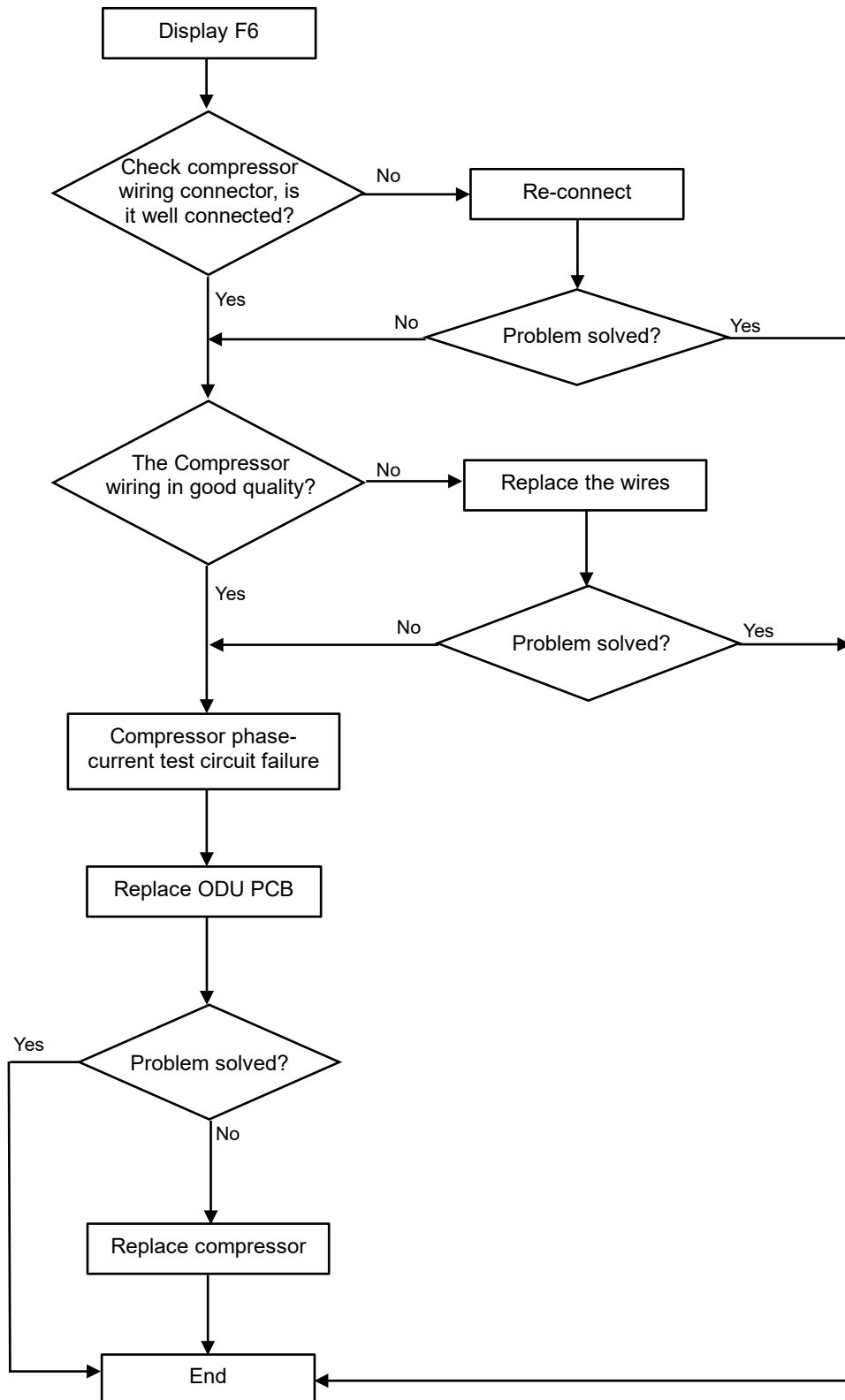
3.2.18 F5---PFC Protection

PFC Overcurrent protection



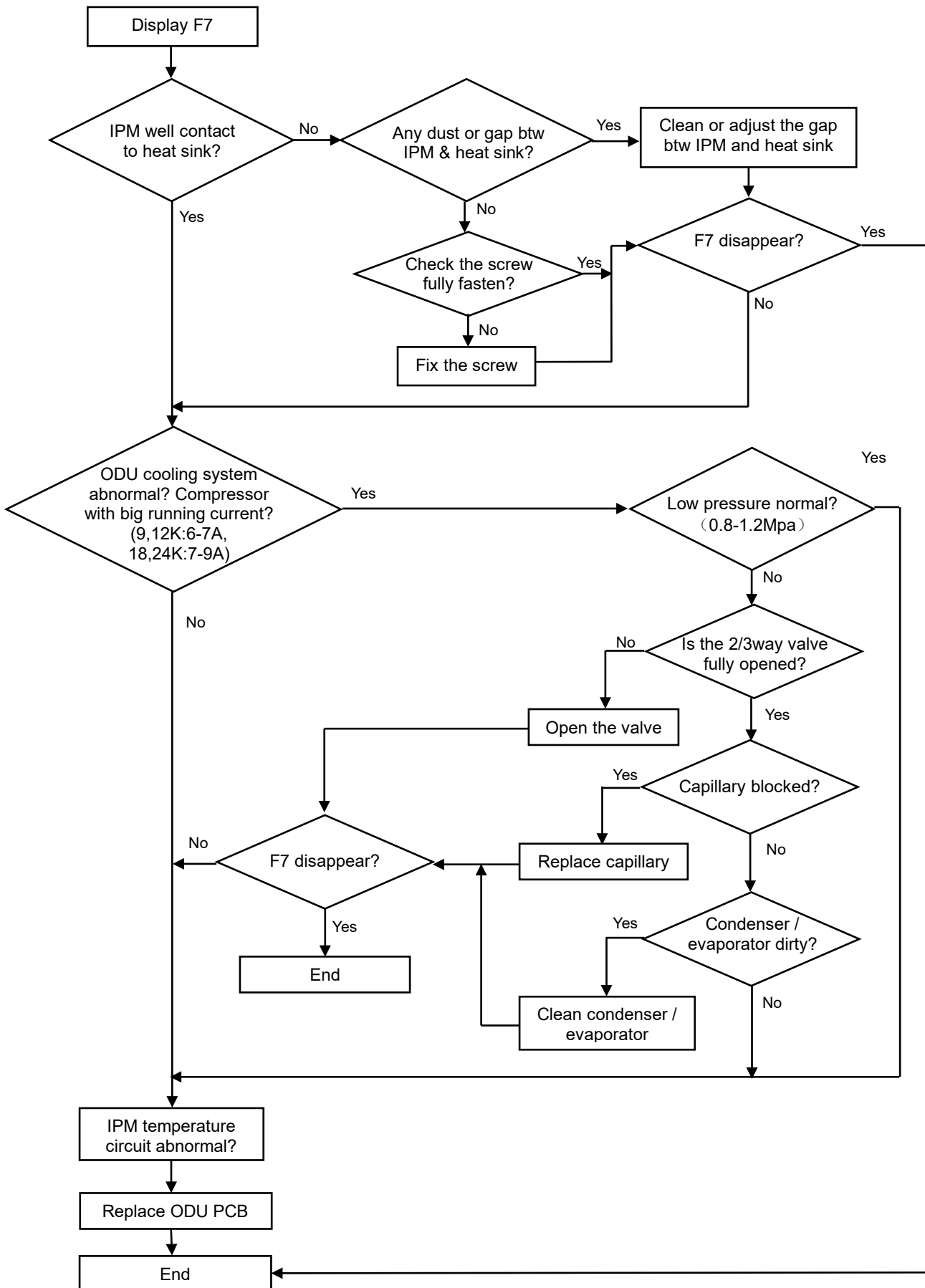
3.2.19 F6 The Compressor Lack of phase / Anti-phase protection.

If ODU PCB can't test one, or even three phases of compressor current, it will show F6 protection.



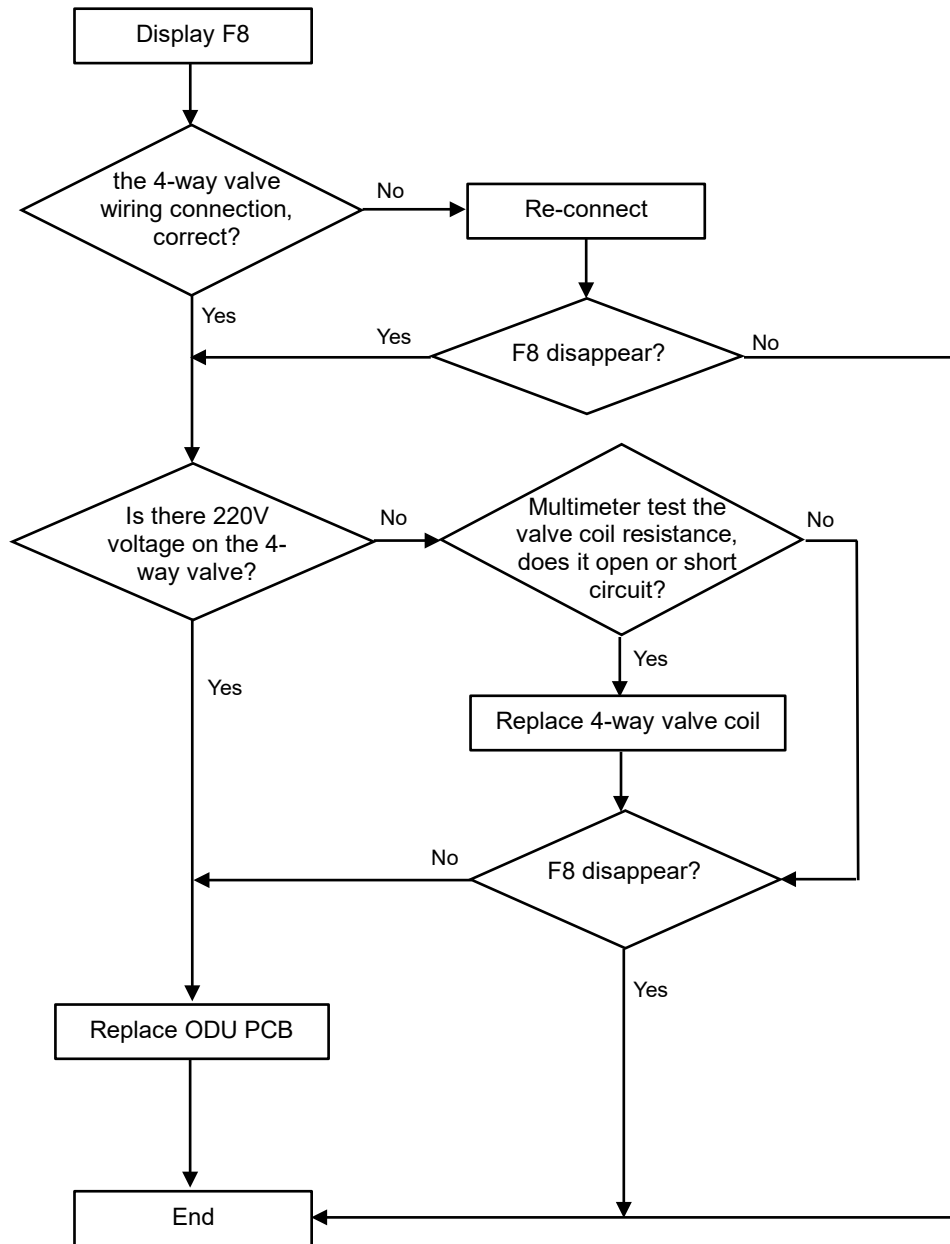
3.2.20 F7---Module temperature protection.

IPM overtemperature protection, when IPM temperature more than 95°C, it will show F7.



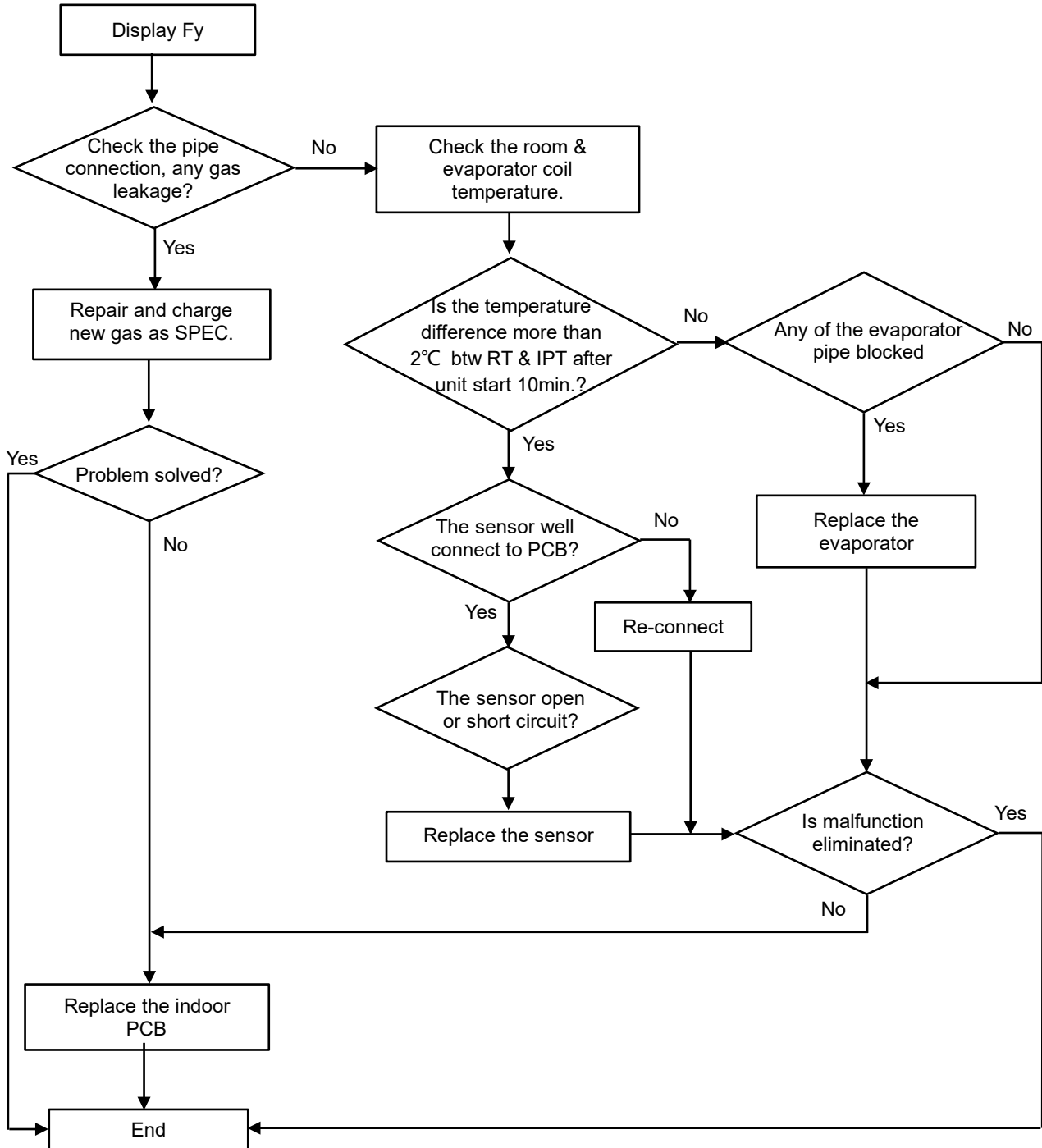
3.2.21 F8---4-Way Value Reversing abnormal

On heating mode, if IDU Coil temperature tested lower than Room temperature 5°C or even more after compressor works for 8min, unit will show F8 code.

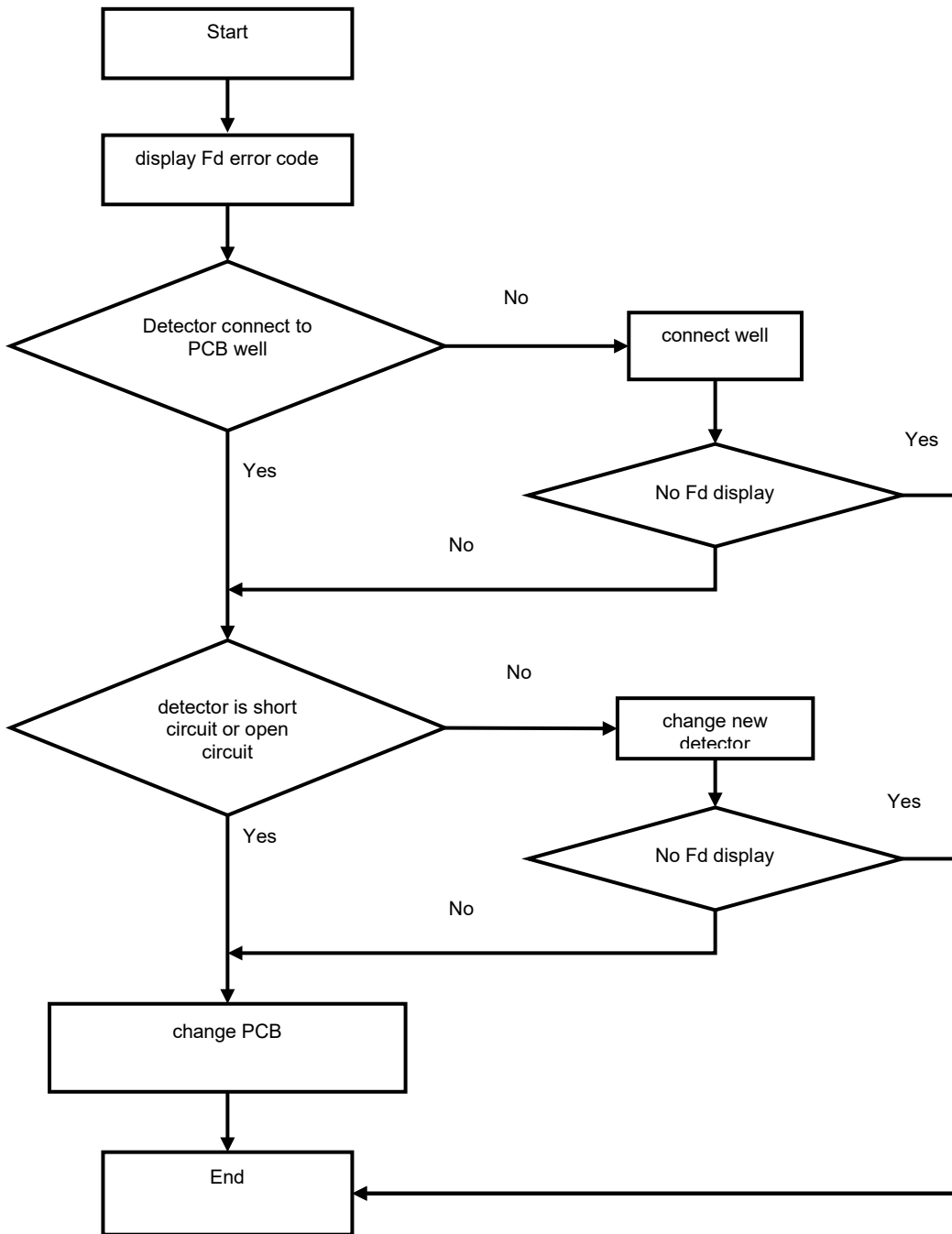


3.2.22 Fy--- Gas leakage protection

After compressor works in high frequency for 9 min, if the temperature on IDU evaporator & ODU condenser has only a little variation comparing previous, but, the compressor discharge temperature on high level, then the unit will show Fy failure code.



3.2.23 Fd--- Refrigerant detector failure

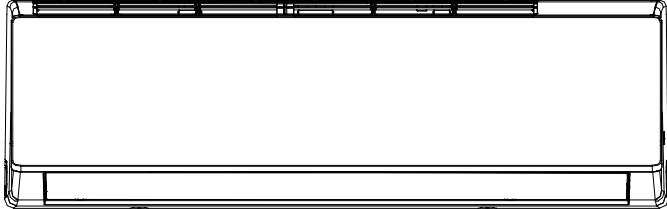
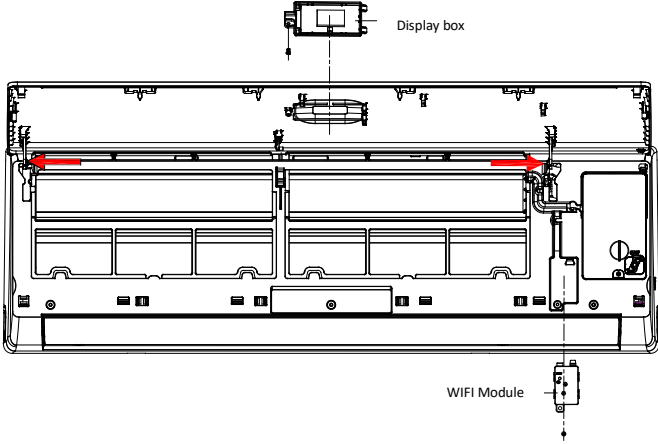
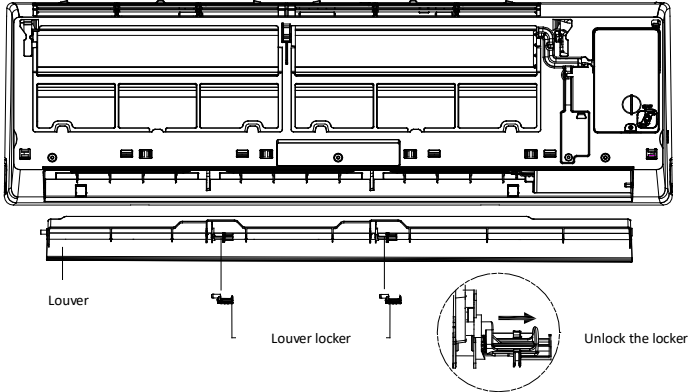


3.2.24 Fd--- Refrigerant leakage protection

The system has detected a refrigerant leakage. Please turn off the unit immediately and contact a professional to check for the leakage point.

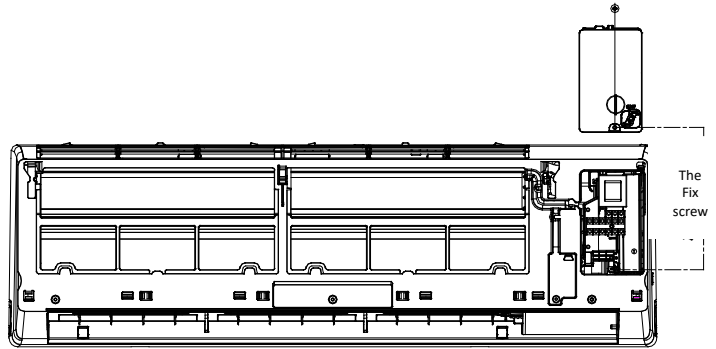
4. Disassembly IDU & ODU

4.1. IDU Disassembly

Steps	Reference photo
1. Before disassembly	
<p>Original status.</p>	
2. Disassembly front panel, display board and WIFI module.	
<p>A. Open front panel. B. Remove one screw and take the display box out from the panel. C. Release panel axis which shown in red arrows out from middle frame and take the panel out. D. Unscrew and take the WIFI module out from middle frame.</p>	
3. Remove the louver.	
<p>Unlock the louver lockers (clip), bend the louver slightly by hands and remove it out from middle frame and stepping motor.</p>	

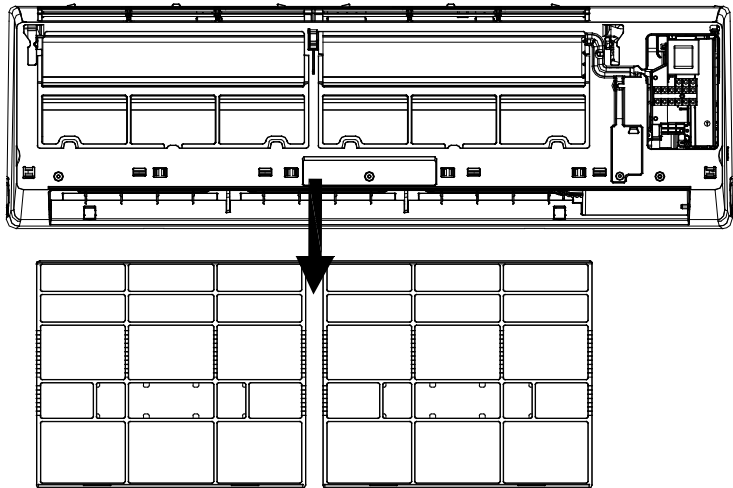
4. Remove the electric control box cover

Unfix one screw on the cover of electric box, and remove the cover.



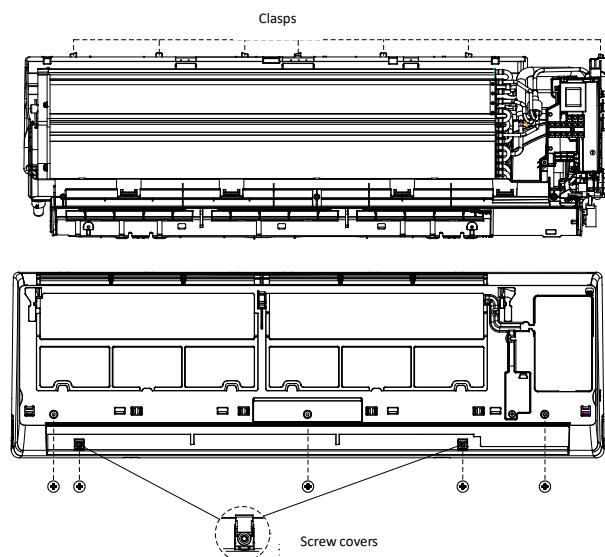
5. Remove the filter

Push the filter upwards a little, you can take it out from unit.



6. Disassembly the middle frame.

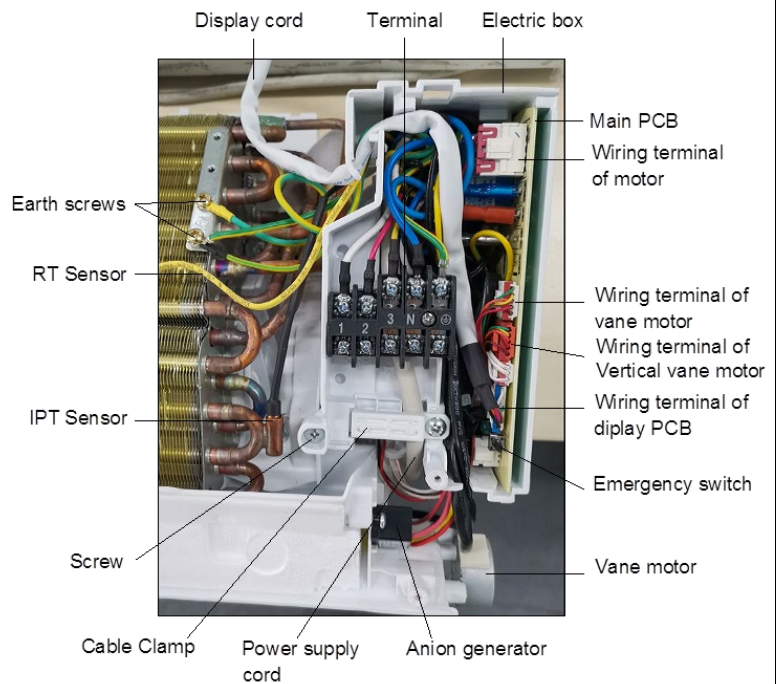
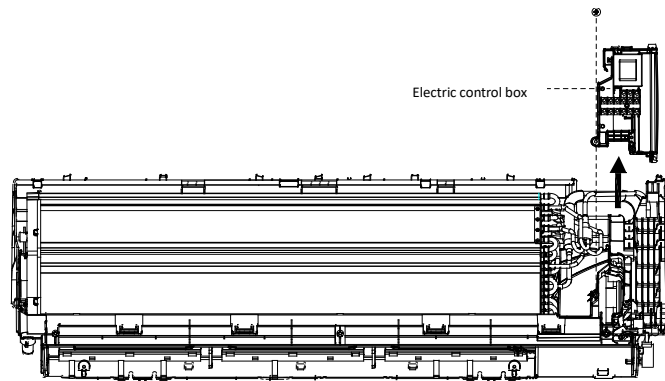
- A. Open the screw cover, and unfix screw with cross screwdriver.
- B. Remove the middle frame by loosening the clasps with the unit base as shown in the picture and take the frame out.



7. Disassembly the electric control box.

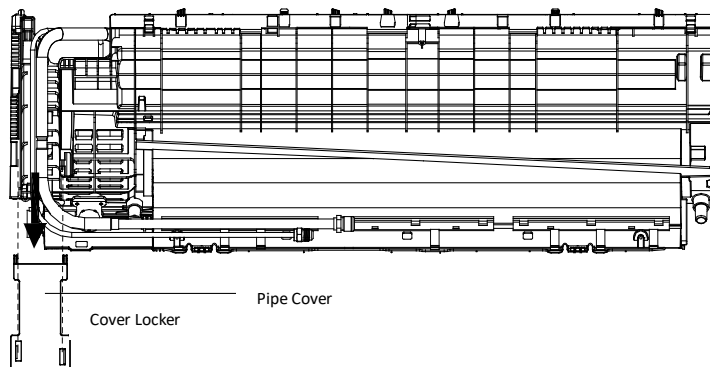
- A. Remove the RT & IPT out from evaporator;
- B. Unscrew all the earth ground wirings on the evaporator.
- C. Take all the connectors out from PCB.
- D. Unfix one screw of the control box with unit BASE FRAME, and take the control box out from unit.

Note: The right picture for your reference only, for the exact model the wiring connection may have a little difference.



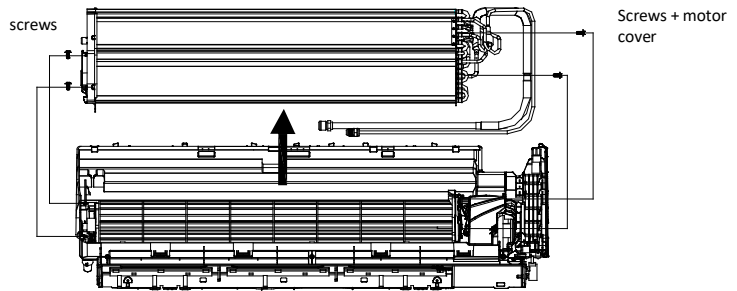
8. Remove the PIPE COVER

Loosing the lower edge of the PIPE COVER from BASE FRAME, and take the COVER out from unit.



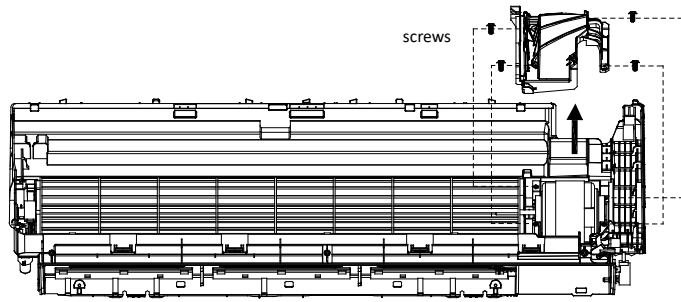
9. Disassembly the evaporator

- A. Unfix 2 screws of left side shown as picture.
- B. Unfix 2 screws of right side on motor cover/right support plate.
- C. Take the evaporator out from unit by uplifting the IUPUT/OUTPUT pipes slightly.



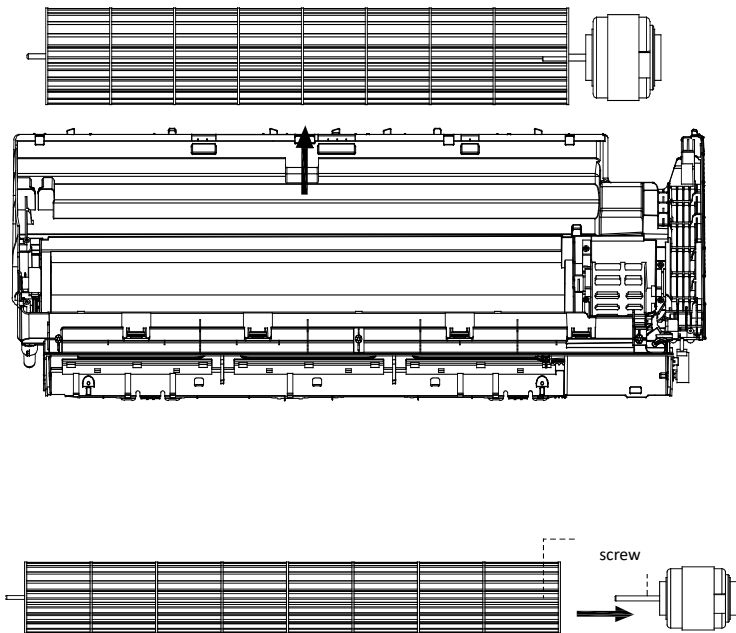
10. Remove the MOTOR COVER

Unfix 4 screws on the motor cover with base frame.

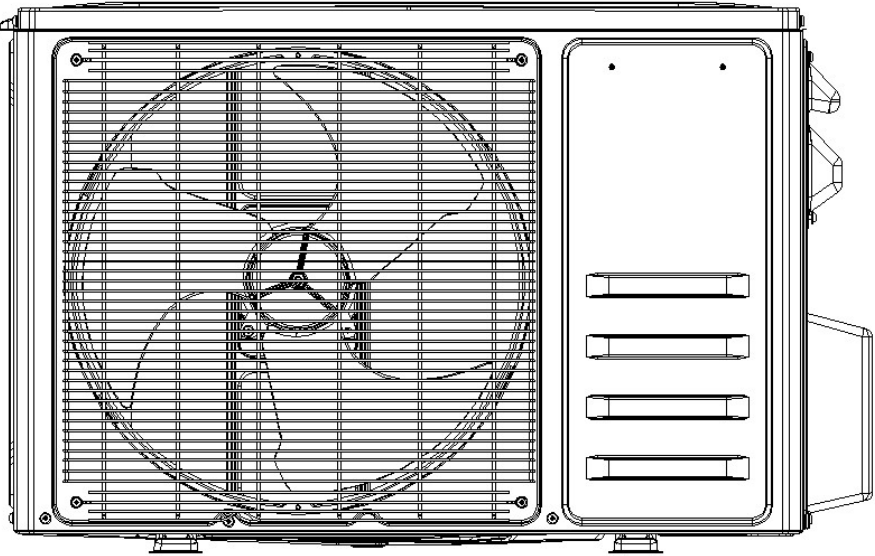
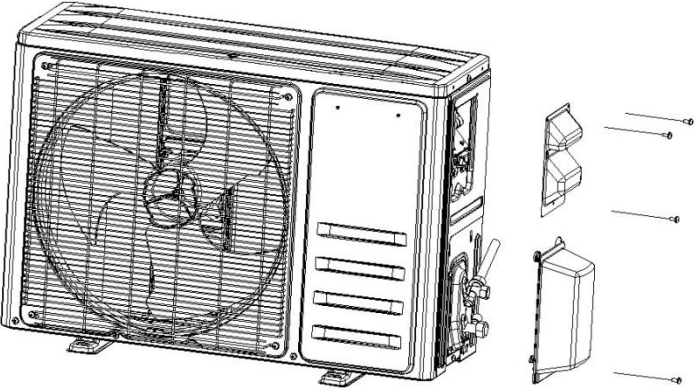
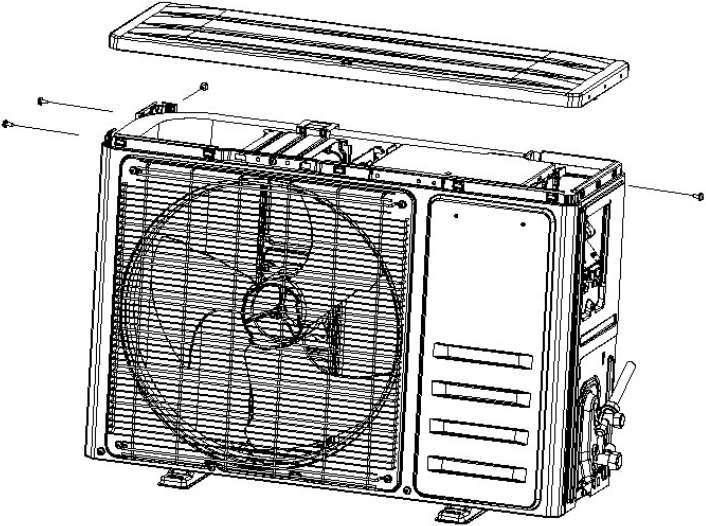


11. Disassembly fan motor and fan blade.

- A. Uplift the fan blade and fan motor, take the base frame out.
- B. Unfix one screw on the axis of fan motor, and you can get fan blade and fan motor separately.



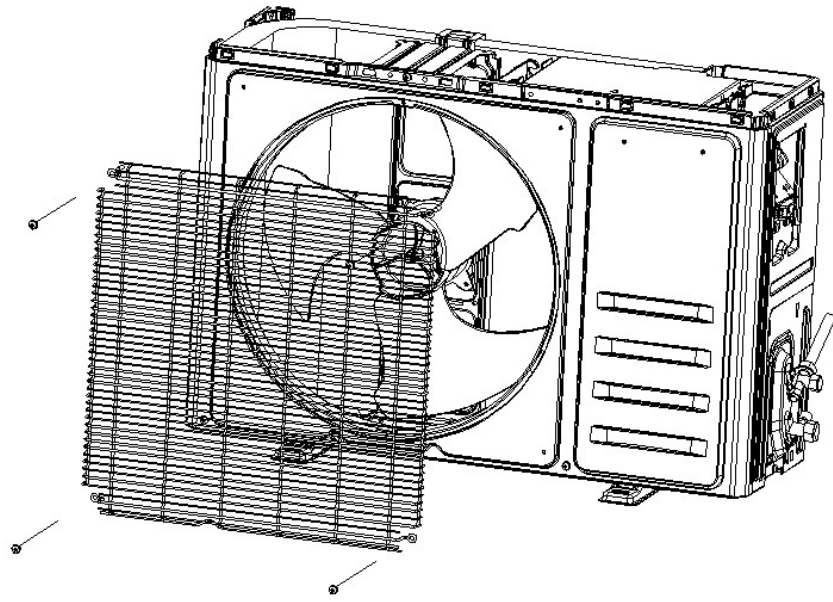
4.2 ODU Assembly

Step	Reference picture
<p>Before disassembly</p>	
<p>Step 1: Remove the PCB Cover, valve Cover and top cover</p>	
<p>A</p> <ol style="list-style-type: none"> 1). Unfix one screw on the PCB cover, you can take the cover out from unit. 2). Unfix one screw on the valve cover, you can take it out easily. 	
<p>B</p> <p>Unfix screws btw the top cover with front panel, left and right plate, then you can take the top cover out.</p>	

Step 2: Disassemble the Fan Guard and Front Panel

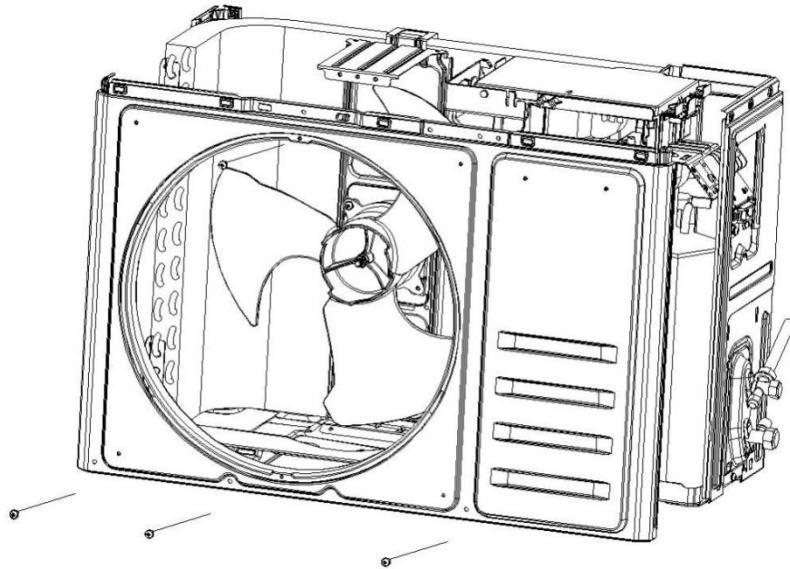
A

Remove the screws assembling the grille to the front panel and remove the grille.



B

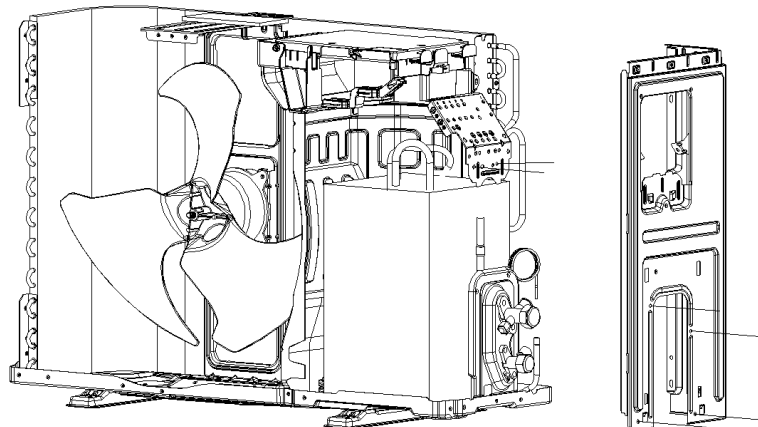
Unfix screws on front panel with fan guard, ODU middle separate plate and base plate, uplift front panel you can take it out from unit



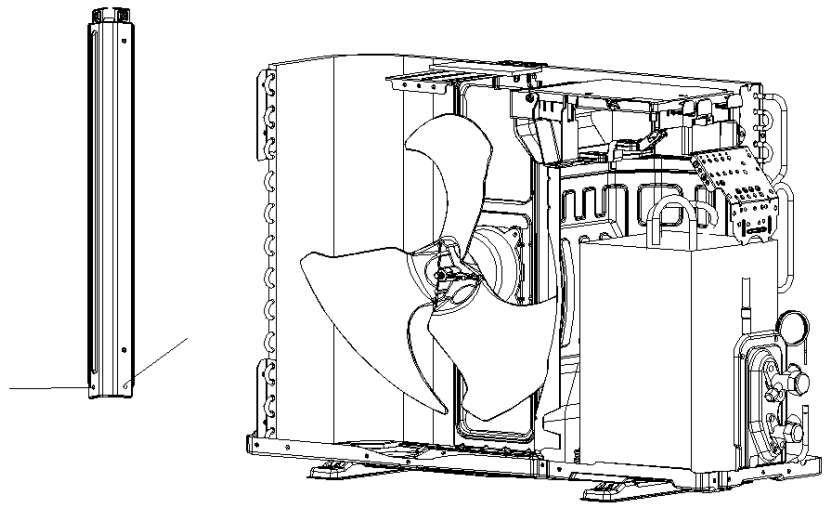
Step 3: Disassemble the Left and Right plate.

A

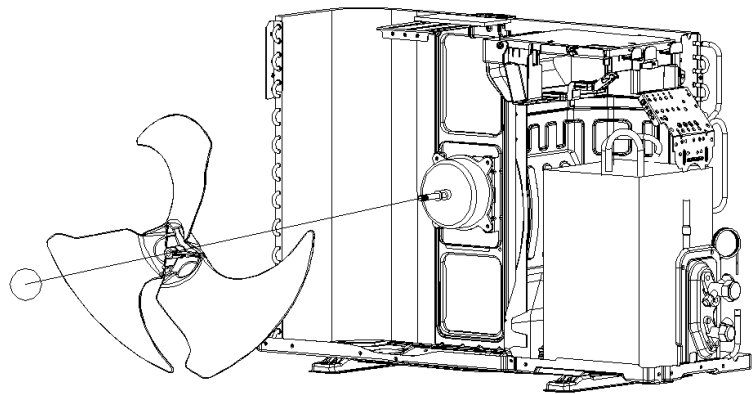
Unfix screws btw Right Plate and the Electric Box assembly, Valve Plate, Base Plate, then you can take the Right plate out.



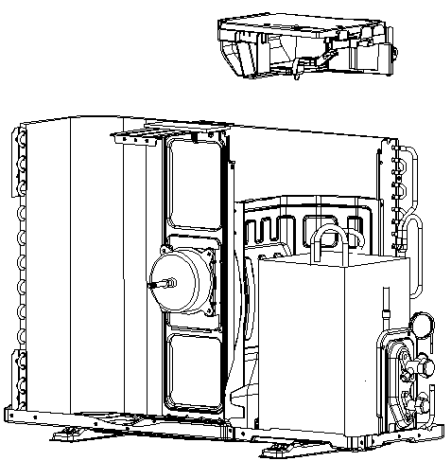
→ X

B	<p>Unfix screws btw Left Plate, Base plate and Condenser plate, you can take the left plate out.</p>	
---	--	--

Step 4: Disassemble the Axis Fan Blade

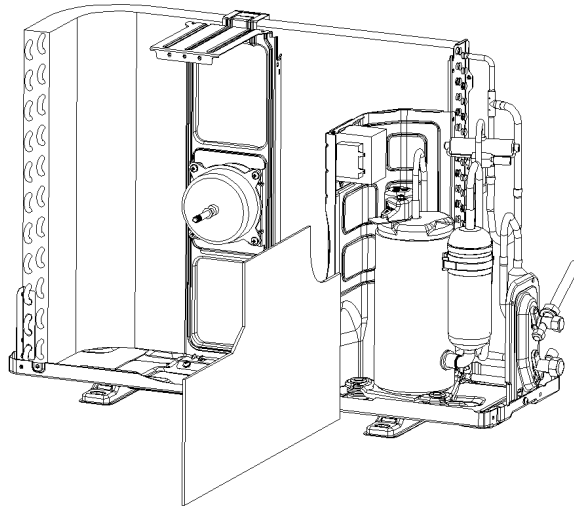
A	<p>Unscrew the fan blade nut, and take the blade out.</p>	
---	---	---

Step 5: Disassemble the electric box

	<p>Unfix screw btw Electric Box and motor supporter etc. loosen the wiring clamp, then you can take the control box out.</p>	
--	--	--

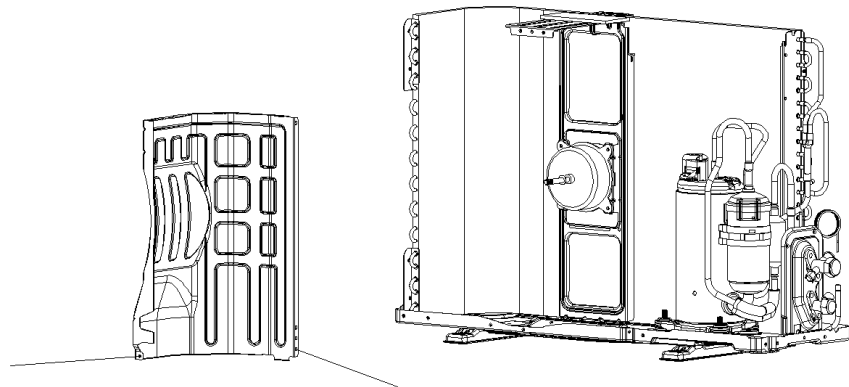
Step 6: take out the noise cotton

A Shown as picture to take the cotton out



Step 7: Disassemble the separate plate

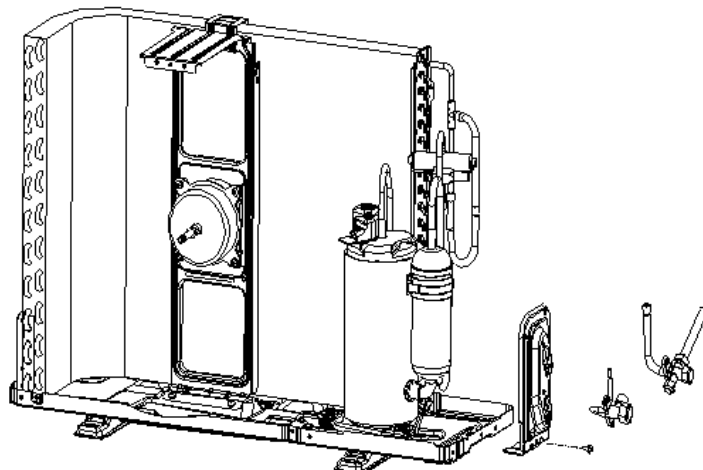
Unfix the screw btw separate plate and unit, and take it out



Step 8: Disassemble the 2 and 3-way valve

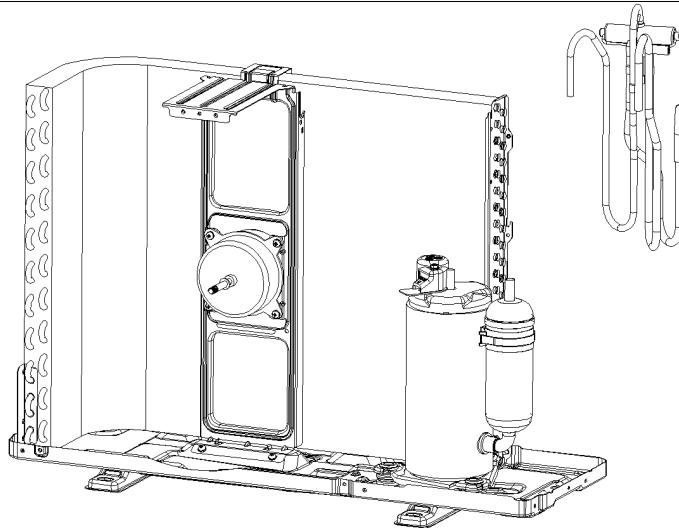
Unfix screw btw Valve plate and base, you can take the 2-way and 3-way valve out by welding.

Note:
1). The welding can only place while no gas in the unit.
2). Pay attention to the fire to prevent any injury.



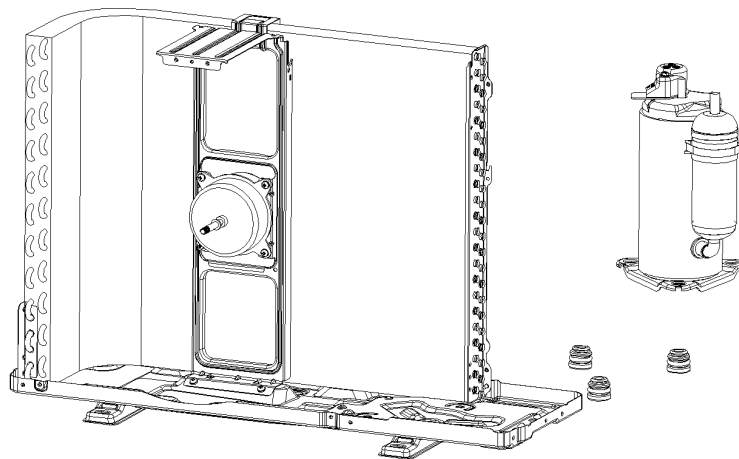
Step 9: Disassemble the 4-way valve assembly

Take the 4-way valve out from system by welding. Make sure no hurt to the compressor and nameplate, etc.



Step 10: Disassemble the compressor.

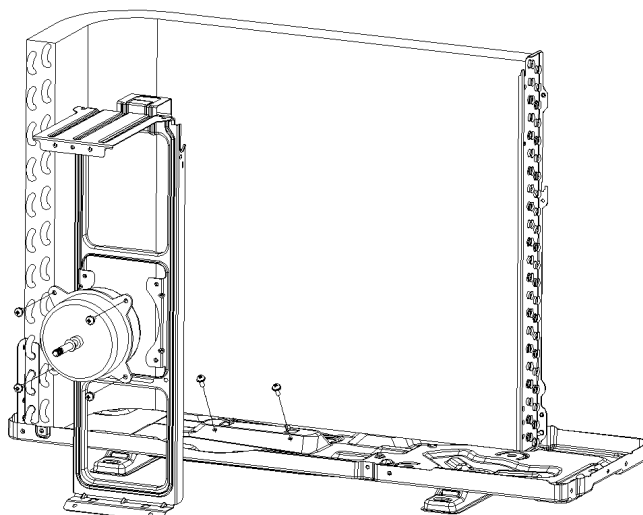
Unscrew the nuts and take the compressor out.



Step 11: Remove the fan motor and fan supporter.

Unfix screws btw fan motor with supporter, and supporter with base plate.

Note:
Pay attention to the motor wiring, it can't be taken out by force.



APPENDIX

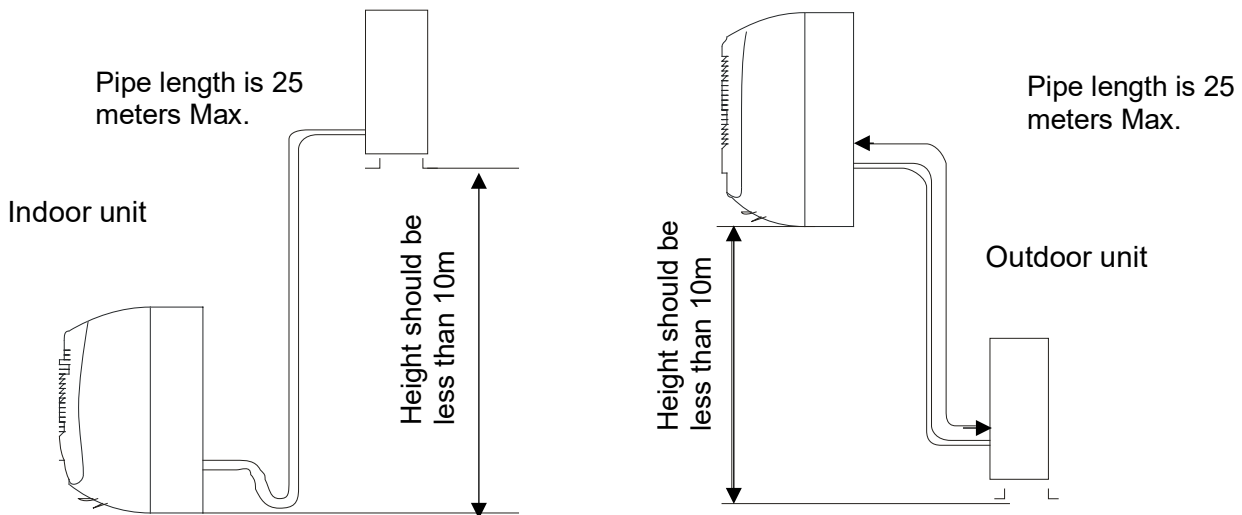
Appendix 1 The comparison table of Celsius-Fahrenheit temperature

Fahrenheit display temperature (°F)	Fahrenheit (°F)	Celsius (°C)	Fahrenheit display temperature (°F)	Fahrenheit (°F)	Celsius (°C)	Fahrenheit display temperature (°F)	Fahrenheit (°F)	Celsius (°C)
61	60.8	16	69/70	69.8	21	78/79	78.8	26
62/63	62.6	17	71/72	71.6	22	80/81	80.6	27
64/65	64.4	18	73/74	73.4	23	82/83	82.4	28
66/67	66.2	19	75/76	75.2	24	84/85	84.2	29
68	68	20	77	77	25	86	86	30

Appendix 2 The Pipe length and Gas charging

Connecting pipes size and length for installation

Indoor unit Model	Outdoor unit	Pipe size (Inch)	
		Liquid	Gas
KIWQ09H2-45T/KOIQ09H2-45T		1/4	3/8
KIWQ09H1-45T/KOIQ09H1-45T		1/4	3/8
KIWQ12H2-45T/KOIQ12H2-45T		1/4	3/8
KIWQ12H1-45T/KOIQ12H1-45T		1/4	3/8
KIWQ18H2-45T/KOIQ18H2-45T		1/4	1/2
KIWQ24H2-45T/KOIQ24H2-45T		1/4	5/8
KIWQ36H2-45T/KOIQ36H2-45T		1/4	5/8



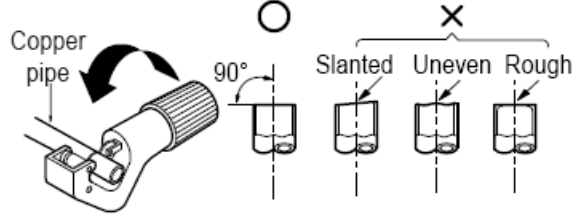
Mode	Standard length (m/inch)	Refrigerant piping Max. length (m/inch) A	Additional refrigerant charging: Xg= B * (A-5m) B
KIWQ09H2-45T/KOIQ09H2-45T	7.5/295	15/591	10g/m(0.11oz/ft)
KIWQ09H1-45T/KOIQ09H1-45T	7.5/295	15/591	10g/m(0.11oz/ft)
KIWQ12H2-45T/KOIQ12H2-45T	7.5/295	15/591	10g/m(0.11oz/ft)
KIWQ12H1-45T/KOIQ12H1-45T	7.5/295	15/591	10g/m(0.11oz/ft)
KIWQ18H2-45T/KOIQ18H2-45T	7.5/295	20/787	10g/m(0.11oz/ft)
KIWQ24H2-45T/KOIQ24H2-45T	7.5/295	20/787	10g/m(0.11oz/ft)
KIWQ36H2-45T/KOIQ36H2-45T	7.5/295	20/787	10g/m(0.11oz/ft)

Appendix 3 Pipes Flaring

Main cause for gas leakage is due to defect in flaring work. Carry out correct flaring work in the following procedure.

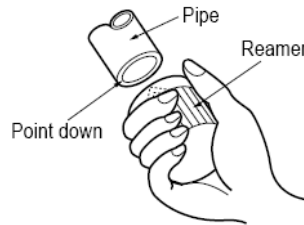
A. Cut the pipes and the cable.

- 1) Use the piping kit accessory or the pipes purchased locally.
- 2) Measure the distance between the indoor and the outdoor unit.
- 3) Cut the pipes a little longer than measured distance.
- 4) Cut the cable 1.5m longer than the pipe length.



B. Burrs removal

- 1) Completely remove all burrs from the cut cross section of pipe/tube.
- 2) Put the end of the copper tube/pipe in a down ward direction as you remove burrs in order to avoid dropping burrs into the tubing.

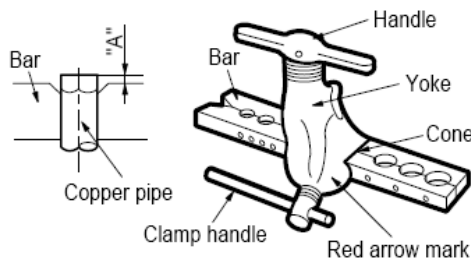


C. Flaring work

- Carry out flaring work using flaring tool as shown below.

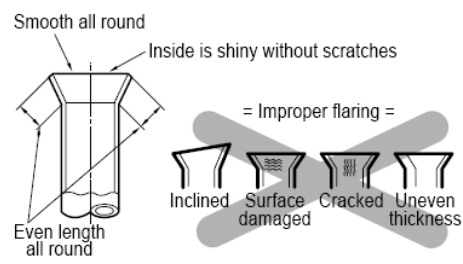
Outer diameter		A
mm	inch	mm /inch
ø6.35	1/4	0.7~1.3(0.03~0.05)
ø9.52	3/8	1.0~1.6(0.04~0.06)
ø12.7	1/2	1.0~1.8(0.04~0.07)
ø16	5/8	2.0~2.2(0.08~0.09)
ø19	3/4	2.0~2.4(0.08~0.10)

Firmly hold copper pipe in a die in the dimension shown in the table above.



D. Check

- 1) Compare the flared work with figure below.
- 2) If flare is noted to be defective, cut off the flared section and do flaring work again.

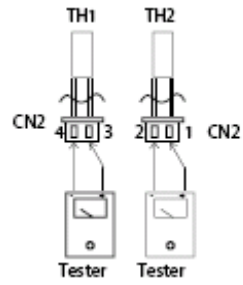


Appendix 4 THERMISTOR TEMPERATURE CHARACTERISTICS

1) Indoor unit and outdoor exchange temperature and outside air temperature sensor temperature characteristics

TEMP. °C(°F)	Resistance (k Ohm)	Voltage of resistance	TEMP. °C(°F)	Resistance (k Ohm)	Voltage of resistance	TEMP. °C(°F)	Resistance (k Ohm)	Voltage of resistance
-30(-86)	63.513	4.628	15(59)	7.447	2.968	60(140)	1.464	1.115
-29(-84.2)	60.135	4.609	16(60.8)	7.148	2.918	61(141.8)	1.418	1.088
-28(-82.4)	56.956	4.589	17(62.6)	6.863	2.868	62(143.6)	1.374	1.061
-27(-89.6)	53.963	4.568	18(64.4)	6.591	2.819	63(145.40)	1.331	1.035
-26(-78.8)	51.144	4.547	19(66.2)	6.332	2.769	64(147.2)	1.290	1.009
-25(-77)	48.488	4.524	20(68)	6.084	2.720	65(149)	1.250	0.984
-24(-75.2)	45.985	4.501	21(69.8)	5.847	2.671	66(150.8)	1.212	0.960
-23(-73.4)	43.627	4.477	22(71.6)	5.621	2.621	67(152.6)	1.175	0.936
-22(-71.6)	41.403	4.452	23(73.4)	5.404	2.572	68(154.4)	1.139	0.913
-21(-69.8)	39.305	4.426	24(75.2)	5.198	2.524	69(156.2)	1.105	0.890
-20(-68)	37.326	4.399	25(77)	5.000	2.475	70(158)	1.072	0.868
-19(-66.2)	35.458	4.371	26(78.8)	4.811	2.427	71(159.8)	1.040	0.847
-18(-64.4)	33.695	4.343	27(89.6)	4.630	2.379	72(161.6)	1.009	0.825
-17(-62.6)	32.030	4.313	28(82.4)	4.457	2.332	73(163.4)	0.979	0.805
-16(-60.8)	30.458	4.283	29(84.2)	4.292	2.285	74(165.2)	0.950	0.785
-15(-59)	28.972	4.252	30(86)	4.133	2.238	75(167)	0.922	0.765
-14(-57.2)	27.567	4.219	31(87.8)	3.981	2.192	76(168.8)	0.895	0.746
-13(-55.4)	26.239	4.186	32(89.6)	3.836	2.146	77(170.6)	0.869	0.728
-12(-53.6)	24.984	4.152	33(91.4)	3.697	2.101	78(172.4)	0.843	0.710
-11(-51.8)	23.795	4.117	34(93.2)	3.563	2.057	79(174.2)	0.819	0.692
-10(-50)	22.671	4.082	35(95)	3.435	2.012	80(176)	0.795	0.675
-9(-48.2)	21.606	4.045	36(96.8)	3.313	1.969	81(177.8)	0.773	0.658
-8(-46.4)	20.598	4.008	37(98.6)	3.195	1.926	82(179.6)	0.751	0.641
-7(44.6)	19.644	3.969	38(100.4)	3.082	1.883	83(181.4)	0.729	0.625
-6(-42.8)	18.732	3.930	39(102.2)	2.974	1.842	84(183.2)	0.709	0.610
-5(-41)	17.881	3.890	40(104)	2.870	1.800	85(185)	0.689	0.595
-4(-39.2)	17.068	3.850	41(105.8)	2.770	1.760	86(186.8)	0.669	0.580
-3(37.4)	16.297	3.808	42(107.6)	2.674	1.720	87(188.6)	0.651	0.566
-2(-35.6)	15.565	3.766	43(109.4)	2.583	1.681	88(190.4)	0.633	0.552
-1(-33.8)	14.871	3.723	44(111.2)	2.494	1.642	89(192.2)	0.615	0.538
0(32)	14.212	3.680	45(113)	2.410	1.604	90(194)	0.598	0.525
1(33.8)	13.586	3.635	46(114.8)	2.328	1.567	91(195.8)	0.582	0.512
2(35.6)	12.991	3.590	47(116.6)	2.250	1.530	92(197.6)	0.566	0.499
3(37.4)	12.426	3.545	48(118.4)	2.174	1.495	93(199.4)	0.550	0.487
4(39.2)	11.889	3.499	49(120.2)	2.102	1.459	94(201.2)	0.535	0.475
5(41)	11.378	3.452	50(122)	2.032	1.425	95(203)	0.521	0.463
6(42.8)	10.893	3.406	51(123.8)	1.965	1.391	96(204.8)	0.507	0.452
7(44.6)	10.431	3.358	52(125.6)	1.901	1.357	97(206.6)	0.493	0.441
8(46.4)	9.991	3.310	53(127.4)	1.839	1.325	98(208.4)	0.480	0.430
9(48.2)	9.573	3.262	54(129.2)	1.779	1.293	99(210.2)	0.467	0.419
10(50)	9.174	3.214	55(131)	1.721	1.262	100(212)	0.455	0.409
11(51.8)	8.795	3.165	56(132.8)	1.666	1.231			
12(53.6)	8.433	3.116	57(134.6)	1.613	1.201			
13(55.4)	8.089	3.067	58(136.4)	1.561	1.172			
14(57.2)	7.760	3.017	59(138.2)	1.512	1.143			

Resistance at 25°C (77°F): 5 kΩ.



TH1: indoor room temperature sensor and outside air temperature sensor

TH2: indoor exchange temperature sensor and outside exchange temperature sensor

Before measuring resistance, disconnect connectors as shown above.

1) Outdoor unit sensor temperature characteristics

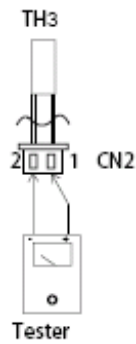
TEMP. °C(°F)	R min (k Ohm)	R(t) (k Ohm)	R max (k Ohm)	TEMP. °C(°F)	R min (k Ohm)	R(t) (k Ohm)	R max (k Ohm)	TEMP. °C(°F)	R min (k Ohm)	R(t) (k Ohm)	R max (k Ohm)
-30(-86)	283.3	322.9	367.7	24(75.2)	19.36	20.89	22.52	78(172.4)	2.563	2.654	2.745
-29(-84.2)	267.4	304.4	346.3	25(77)	18.55	20	21.54	79(174.2)	2.481	2.567	2.654
-28(-82.4)	252.5	287.1	307.4	26(78.8)	17.77	19.14	20.6	80(176)	2.402	2.484	2.567
-27(-89.6)	238.5	270.9	307.4	27(89.6)	17.03	18.32	19.7	81(177.8)	2.327	2.404	2.483
-26(-78.8)	225.4	255.7	289.8	28(82.4)	16.32	17.55	18.85	82(179.6)	2.254	2.327	2.401
-25(-77)	213.1	241.4	273.3	29(84.2)	15.65	16.81	18.04	83(181.4)	2.183	2.253	2.323
-24(-75.2)	201.5	228	257.9	30(86)	15	16.1	17.27	84(183.2)	2.115	2.182	2.248
-23(-73.4)	190.6	215.5	243.4	31(87.8)	14.39	15.43	16.54	85(185)	2.05	2.113	2.176
-22(-71.6)	180.3	203.6	229.8	32(89.6)	13.81	14.79	15.34	86(186.8)	1.985	2.047	2.109
-21(-69.8)	170.7	192.5	217	33(91.4)	13.25	14.18	15.17	87(188.6)	1.922	1.983	2.045
-20(-68)	161.6	182.1	205	34(93.2)	12.72	13.6	14.54	88(190.4)	1.861	1.922	1.983
-19(-66.2)	153.1	172.3	193.7	35(95)	12.21	13.05	13.93	89(192.2)	1.802	1.862	1.923
-18(-64.4)	145	163.1	183.2	36(96.8)	11.72	12.52	13.36	90(194)	1.746	1.805	1.865
-17(-62.6)	137.5	154.4	173.2	37(98.6)	11.26	12.01	12.81	91(195.8)	1.692	1.75	1.809
-16(-60.8)	130.3	146.2	163.9	38(100.4)	10.82	11.53	12.29	92(197.6)	1.639	1.697	1.755
-15(-59)	123.6	138.5	155.1	39(102.2)	10.29	11.07	11.78	93(199.4)	1.589	1.646	1.703
-14(-57.2)	117.3	131.3	146.8	40(104)	9.986	10.63	11.31	94(201.2)	1.54	1.596	1.653
-13(-55.4)	111.3	124.4	139	41(105.8)	9.6	10.21	10.85	95(203)	1.493	1.549	1.604
-12(-53.6)	105.6	118	131.7	42(107.6)	9.231	9.813	10.42	96(204.8)	1.448	1.502	1.558
-11(-51.8)	100.3	111.9	124.7	43(109.4)	8.878	9.43	10	97(206.6)	1.404	1.458	1.512
-10(-50)	95.24	106.2	118.2	44(111.2)	8.54	9.064	9.612	98(208.4)	1.362	1.415	1.469
-9(-48.2)	90.49	100.8	112.1	45(113)	8.217	8.714	9.233	99(210.2)	1.321	1.373	1.426
-8(-46.4)	85.99	95.68	106.3	46(114.8)	7.908	8.38	8.872	100(212)	1.284	1.335	1.387
-7(44.6)	81.75	90.86	100.8	47(116.6)	7.612	8.06	8.526	101(213.8)	1.245	1.296	1.348
-6(-42.8)	77.74	86.31	95.74	48(118.4)	7.328	7.754	8.196	102(215.6)	1.209	1.258	1.309
-5(-41)	73.94	82.01	90.88	49(120.2)	7.057	7.461	7.88	103(217.4)	1.173	1.222	1.272
-4(-39.2)	70.35	77.95	86.29	50(122)	6.797	7.18	7.578	104(219.2)	1.139	1.187	1.236
-3(37.4)	66.96	74.11	81.96	51(123.8)	6.548	6.912	7.289	105(221)	1.105	1.153	1.202

-2(-35.6)	63.74	70.48	77.87	52(125.6)	6.309	6.655	7.013	106(222.8)	1.073	1.12	1.168
-1(-33.8)	60.69	67.05	74	53(127.4)	6.08	6.409	6.748	107(224.6)	1.042	1.089	1.136
0(32)	57.81	63.8	70.34	54(129.2)	5.861	6.173	6.495	108(226.4)	1.013	1.058	1.104
1(33.8)	55.08	60.72	66.88	55(131)	5.651	5.947	6.253	109(228.2)	0.9833	1.028	1.074
2(35.6)	52.49	57.81	63.61	56(132.8)	5.449	5.73	6.02	110(230)	0.9553	0.9997	1.045
3(37.4)	50.03	55.05	60.52	57(134.6)	5.255	5.522	5.798	111(231.8)	0.9283	0.9719	1.016
4(39.2)	47.71	52.44	57.59	58(136.4)	5.07	5.323	5.585	112(233.6)	0.9021	0.9451	0.9892
5(41)	45.5	49.97	54.82	59(138.2)	4.891	5.132	5.381	113(235.4)	0.8765	0.9191	0.9626
6(42.8)	43.41	47.62	52.2	60(140)	4.72	4.949	5.101	114(237.2)	0.8524	0.894	0.9367
7(44.6)	41.42	45.4	49.71	61(141.8)	4.556	4.774	4.997	115(239)	0.8087	0.8595	0.9117
8(46.4)	39.53	43.2	42.33	62(143.6)	4.398	4.605	4.817	116(240.8)	0.8059	0.8461	0.8875
9(48.2)	37.74	41.29	45.12	63(145.4)	4.247	4.448	4.644	117(242.6)	0.7837	0.8233	0.8641
10(50)	36.04	39.39	43.01	64(147.2)	4.101	4.288	4.479	118(244.4)	0.7623	0.8012	0.8413
11(51.8)	34.42	37.59	41	65(149)	3.961	4.139	4.32	119(246.2)	0.7415	0.7798	0.8193
12(53.6)	32.89	35.87	39.1	66(150.8)	3.827	3.995	4.167	120(248)			

13(55.4)	31.43	34.25	37.29	67(152.6)	3.698	3.858	4.021	121(249.8)	0.702	0.7386	0.7773
14(57.2)	30.04	32.71	35.58	68(154.4)				122(251.6)	0.6631	0.7195	0.7572
15(59)	29.72	31.24	33.95	69(156.2)				123(253.4)	0.6649	0.7007	0.7378
16(60.8)				70(158)	3.339	3.476	3.616	124(255.2)	0.6472	0.6824	0.7189
17(62.6)				71(159.8)	3.229	3.359	3.491	125(257)	0.6301	0.6647	0.7006
18(64.4)	25.13	27.26	29.55	72(161.6)	3.122	3.246	3.372	126(258.8)	0.6135	0.6476	0.6829
19(66.2)	24.05	26.07	28.23	73(163.4)	3.02	3.138	3.257	127(260.6)	0.5974	0.6309	0.6657
20(68)	23.02	24.93	26.97	74(165.2)	2.921	3.033	3.146	128(262.4)	0.5818	0.6148	0.649
21(69.8)	22.04	23.84	25.77	75(167)	2.827	2.933	3.04	129(264.2)	0.5667	0.5991	0.6328
22(71.6)	21.1	22.81	24.63	76(168.8)	2.735	2.836	2.938	130(266)	0.5521	0.5839	0.6171
23(73.4)	20.21	21.83	23.55	77(170.6)	2.647	2.743	2.84				

R—Resistance

Resistance at 25°C (77°F): 20 kΩ



TH3: Outdoor unit discharge pipe sensor

Before measuring resistance, disconnect connectors as shown above.

KLIMAIRE™ ≈

Mark of Superior Quality

7999 NW 81 Place Miami, FL 33195
Klimaïre Products Inc.

Tel: (305) 593 - 8358

E-mail: info@klimaïre.com

Website: www.klimaïre.com

Klimaïre parts and supplies are available online at: www.klimaïre.com

Scan the QR code
to visit our Help Center
for installation guides,
manuals, videos and more.



The Klimaïre logo is a registered Trademark of Klimaïre Products Inc.
Copyright 2026 Klimaïre Products Inc.

The design and specifications are subject to change without prior notice for
product improvement. Consult with the sales agency or manufacturer for details.