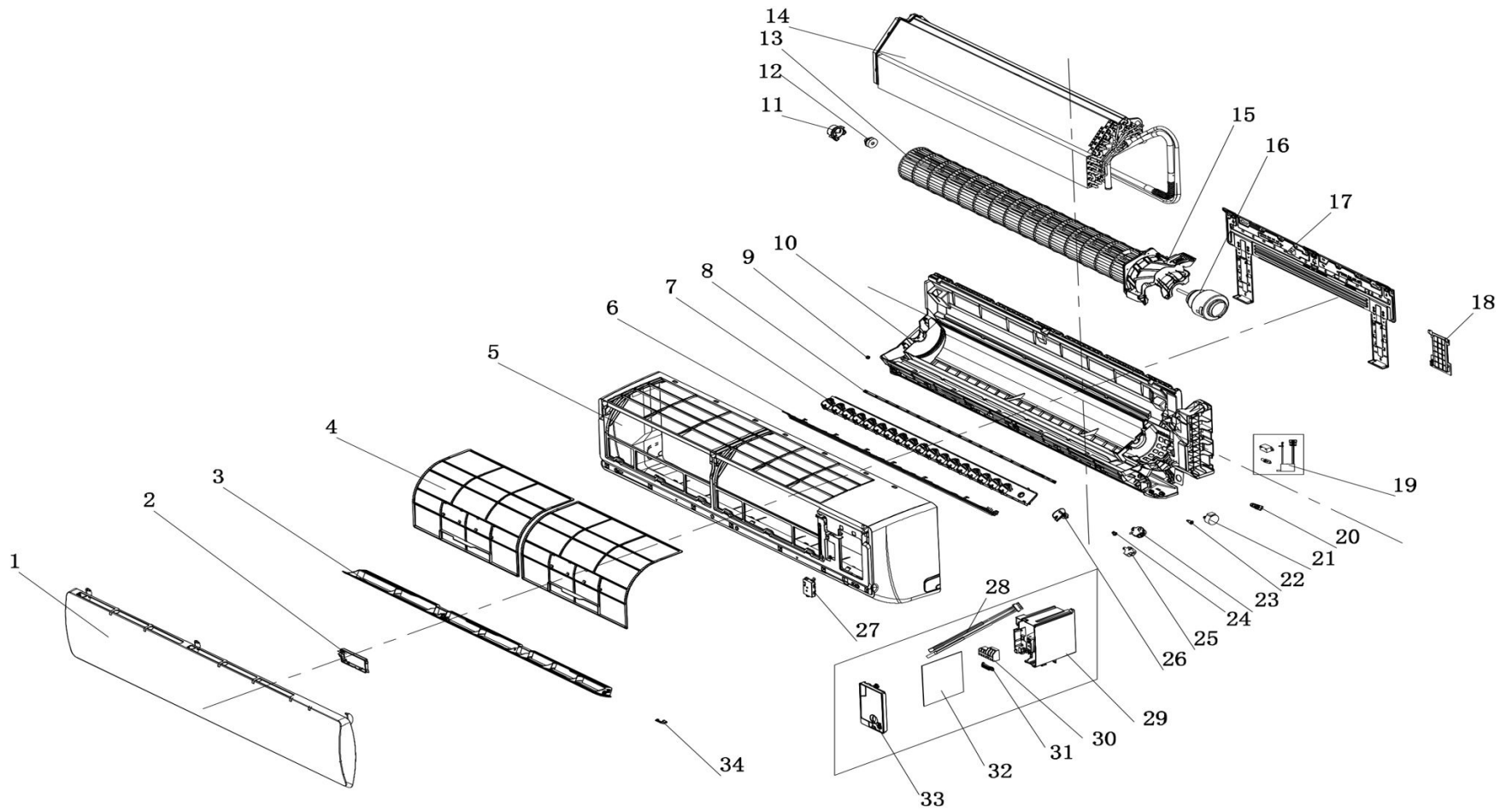


EXPLODED DIAGRAM - PARTS VIEW

Sales Model : **KIWQ36H2-4T**

Power Supply : 208-230V / 1ph / 60Hz



This information is to be used by qualified HVAC technicians only and is subject to revision without notice

KIWQ36H2-4T - Drawing No. D5WQ2310

DATE 23-07

KIWQ36H2-4T - SPARE PARTS LIST

No.	Part Number	Part Name	Specifications	Stock No.	Qty.	Price	Remarks
1	41106-020313	front panel			1		
2	42003-000016	Display PCB box			1	\$5.0	
3	41103-000644	vane			1	\$28.0	
4	42008-000230	air filter			2	\$17.0	
5	41106-014055	Face Frame			1	\$166.0	
6	41103-000645	Grid Guard			1		
7	41101-000528	card board			1	\$4.0	
8	41101-000529	auto vertical vane connector			1	\$5.0	
9	41101-000250	Bearing sleeve			1	\$2.0	
10	41102-000578	base			1	\$157.0	
11	41101-000250	Bearing sleeve			1	\$2.0	
12	/	Bearing mount			1		
13	42004-000242	cross fan			1	\$95.0	
14	92011-010749	evaporator			1	\$322.0	
15	41108-000203	cover of motor			1	\$13.0	
16	22001-000240	Indoor Motor			1	\$183.0	
17	41109-000084	installation plate assembly			1	\$55.0	
18	/	Installation plate			1		
20	92012-000185	Drain pipe rubber plug			1	\$4.0	
21	22001-000360	Step motor			1	\$26.0	
22	41101-000255	Electric axis			1	\$1.0	
23	41108-000134	Moistureproof box			1	\$2.0	
24	42011-000303	Shaft sleeve			1	\$1.0	

This information is to be used by qualified HVAC technicians only and is subject to revision without notice

KIWQ36H2-4T - Parts List No. P5WQ2310

Above prices are subject to S&H charges

DATE 23-07

KIWQ36H2-4T - SPARE PARTS LIST

No.	Part Number	Part Name	Specifications	Stock No.	Qty.	Price	Remarks
25	22001-000360	Step motor			1	\$26.0	
26	/	Vertical vane			1		
27	32001-000140	WIFI module			1	\$62.0	
28	10104-100022	Sensor			1	\$11.0	
29	41105-000427	Electrical box			1	\$53.0	
30	11304-100063	Terminal			1	\$14.0	
31	42001-000103	Clamp			1	\$1.0	
32	31101-002056	Main PCB			1	\$154.0	
33	41105-000178	Electrical box cover			1	\$30.0	
34	41101-000349	Air guide board bolt			2	\$5.0	
35	42009-000011	Drainage hose			1	\$15.0	
36	/	Power supply cord			1		
37	22013-004238	remote control			1	\$60.0	
38	/	carton			1		
39	A1102-000054	packing foam(left)			1	\$31.0	
40	A1102-000055	packing foam(right)			1	\$34.0	

This information is to be used by qualified HVAC technicians only and is subject to revision without notice

KIWQ36H2-4T - Parts List No. P5WQ2310

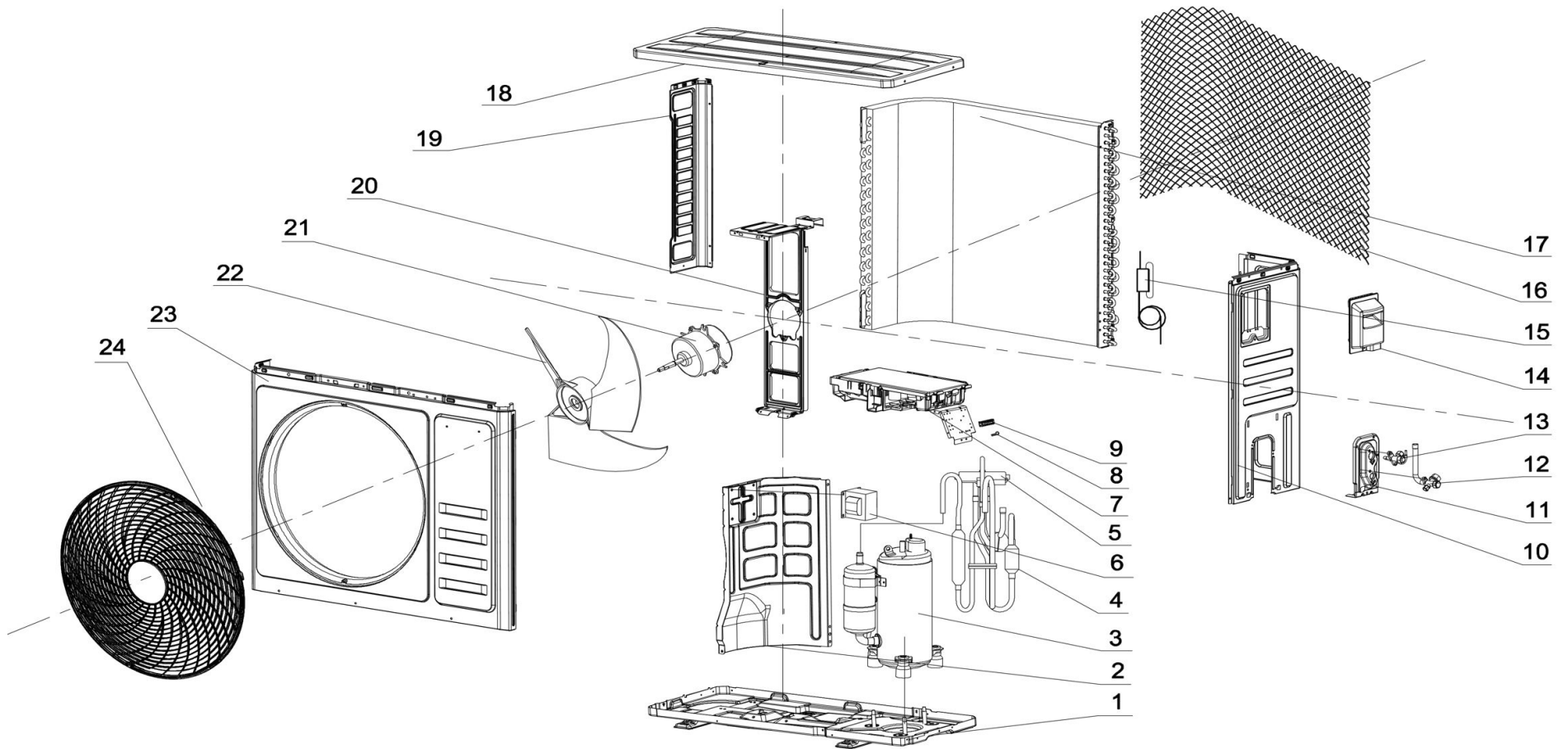
Above prices are subject to S&H charges

DATE 23-07

EXPLODED DIAGRAM - PARTS VIEW

Sales Model : KOIQ36H2-4

Power Supply : 208-230V / 1ph / 60Hz



This information is to be used by qualified HVAC technicians only and is subject to revision without notice

KOIQ36H2-4 - Drawing No. D5IQ2314

DATE 23-07

KOIQ36H2-4 - SPARE PARTS LIST

No.	Part Number	Part Name	Specifications	Stock No.	Qty.	Price	Remarks
1	41202-000530	Base			1	\$143.0	
2	41208-001146	Middle metal panel			1	\$52.0	
3	95017-000031	Compressor			1	\$443.0	
4	92007-018645	4-way valve module			1	\$269.0	
5	92008-000206_UX	4-way valve			1		
6	/	Reactor			1		
7	31201-002772_UX	Outdoor PCB Assembly			1	\$416.0	
8	42001-000036	Clamp			1	\$1.0	
9	11304-100117_UX	Terminal			1	\$12.0	
10	41205-000801	Right plate			1	\$68.0	
11	41204-000018	Valve supporter			1	\$13.0	
12	92007-001045	Globe valve assembly			1	\$59.0	
13	92007-001050	Globe valve assembly			1	\$25.0	
14	41201-000106	Outdoor safety cover			1	\$21.0	
15	92007-018646	High-pressure valve assembly			1	\$161.0	
16	42006-000377	Sponge			1	\$5.0	
16	42011-000419	Back grille			1	\$15.0	
17	92011-010301	Condenser			1	\$640.0	
18	41207-000700	Top cover assembly			1	\$98.0	
19	41205-000651	Left plate assembly			1	\$41.0	
20	41203-000956	Motor bracket assembly			1	\$74.0	

This information is to be used by qualified HVAC technicians only and is subject to revision without notice

KOIQ36H2-4 - Parts List No. P5IQ2314

Above prices are subject to S&H charges

DATE 23-07

KOIQ36H2-4 - SPARE PARTS LIST

No.	Part Number	Part Name	Specifications	Stock No.	Qty.	Price	Remarks
21	22001-000147_UX	Outdoor motor			1	\$171.0	
22	42004-000091	Propeller fan			1	\$86.0	
23	41206-000076	Front panel			1	\$124.0	
24	42011-000031	Fan guard			1	\$53.0	
	A1201-012669	Base carton			1	\$41.0	
	/	Cabinet carton			1		
	10104-100058	Sensor			1	\$16.0	
	A1202-000085	Packing foam			1	\$19.0	
	A1202-000086	Packing foam			1	\$29.0	

This information is to be used by qualified HVAC technicians only and is subject to revision without notice
 Above prices are subject to S&H charges

KOIQ36H2-4 - Parts List No. P5IQ2314
 DATE 23-07