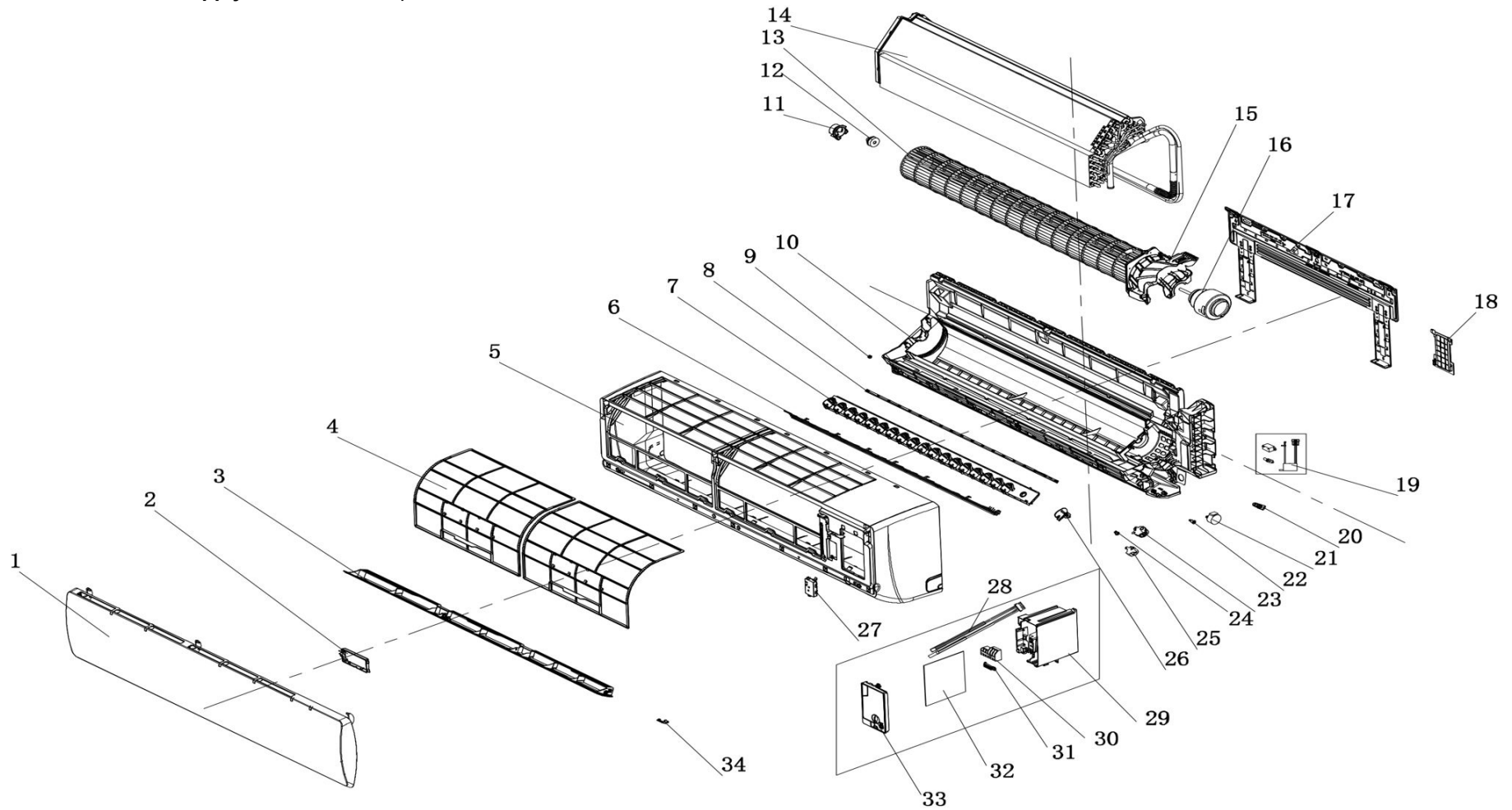


EXPLODED DIAGRAM - PARTS VIEW

Sales Model : KIWQ24H2-4T

Power Supply : 208-230V / 1ph / 60Hz



This information is to be used by qualified HVAC technicians only and is subject to revision without notice

KIWQ24H2-4T - Drawing No. D5WQ2309

DATE 23-07

KIWQ24H2-4T - SPARE PARTS LIST

| No. | Part Number | Part Name | Specifications | Stock No. | Qty. | Price | Remarks |
|-----|--------------|------------------------------|----------------|-----------|------|---------|---------|
| 1 | 41106-020313 | Front panel | | | 1 | \$105.0 | |
| 2 | 42003-000016 | Display PCB box | | | 1 | \$5.0 | |
| 3 | 41103-000644 | Vane | | | 1 | \$28.0 | |
| 4 | 42008-000230 | Air filter | | | 2 | \$17.0 | |
| 5 | 41106-014054 | Face frame assembly | | | 1 | \$120.0 | |
| 6 | 41103-000645 | Grid guard | | | 1 | | |
| 7 | 41101-000528 | Card board | | | 1 | \$3.0 | |
| 8 | 41101-000529 | Auto vertical vane connector | | | 1 | \$5.0 | |
| 9 | 42011-000303 | Shaft sleeve | | | 1 | \$1.0 | |
| 10 | 41102-000578 | Base | | | 1 | \$157.0 | |
| 11 | 41101-000250 | Bearing sleeve | | | 1 | \$2.0 | |
| 12 | / | Bearing mount | | | 1 | | |
| 13 | 42004-000242 | Cross fan | | | 1 | \$95.0 | |
| 14 | 92011-010748 | Evaporator | | | 1 | \$292.0 | |
| 15 | 41108-000203 | Motor cover | | | 1 | \$13.0 | |
| 16 | 22001-000240 | Indoor Motor | | | 1 | \$183.0 | |
| 17 | 41109-000084 | Installation plate assembly | | | 1 | \$55.0 | |
| 18 | 41101-000240 | In and out pipe fixer | | | 1 | \$5.0 | |
| 20 | 92012-000185 | Drain pipe rubber plug | | | 1 | \$4.0 | |
| 21 | 22001-000360 | Step motor | | | 1 | \$26.0 | |
| 22 | 41101-000255 | Electric axis | | | 1 | \$1.0 | |

This information is to be used by qualified HVAC technicians only and is subject to revision without notice

KIWQ24H2-4T - Parts List No. P5WQ2309

Above prices are subject to S&H charges

DATE 23-07

KIWQ24H2-4T - SPARE PARTS LIST

| No. | Part Number | Part Name | Specifications | Stock No. | Qty. | Price | Remarks |
|-----|--------------|----------------------|----------------|-----------|------|---------|---------|
| 23 | 41108-000134 | Moistureproof box | | | 1 | \$2.0 | |
| 24 | 42011-000303 | Shaft sleeve | | | 1 | \$1.0 | |
| 25 | 22001-000360 | Step motor | | | 1 | \$26.0 | |
| 26 | 41101-000374 | Vertical vane | | | 1 | \$2.0 | |
| 27 | 32001-000140 | Wi-Fi | | | 1 | \$62.0 | |
| 28 | 10104-100022 | Sensor | | | 1 | \$11.0 | |
| 29 | 41105-000427 | Electrical box | | | 1 | \$53.0 | |
| 30 | 11304-100063 | Terminal | | | 1 | | |
| 31 | 42001-000103 | Clamp | | | 1 | \$1.0 | |
| 32 | 31101-002021 | Main PCB | | | 1 | \$154.0 | |
| 33 | 41105-000178 | Electrical box cover | | | 1 | \$30.0 | |
| 34 | 41101-000349 | Air guide board bolt | | | 2 | \$5.0 | |
| 35 | 42009-000011 | Drainage hose | | | 1 | | |
| 36 | / | Power supply cord | | | 1 | | |
| 37 | 22013-005877 | Remote control | | | 1 | \$60.0 | |
| 38 | / | Carton | | | 1 | | |
| 39 | A1102-000054 | Packing foam (left) | | | 1 | \$27.0 | |
| 40 | A1102-000055 | Packing foam (right) | | | 1 | \$27.0 | |

This information is to be used by qualified HVAC technicians only and is subject to revision without notice

KIWQ24H2-4T - Parts List No. P5WQ2309

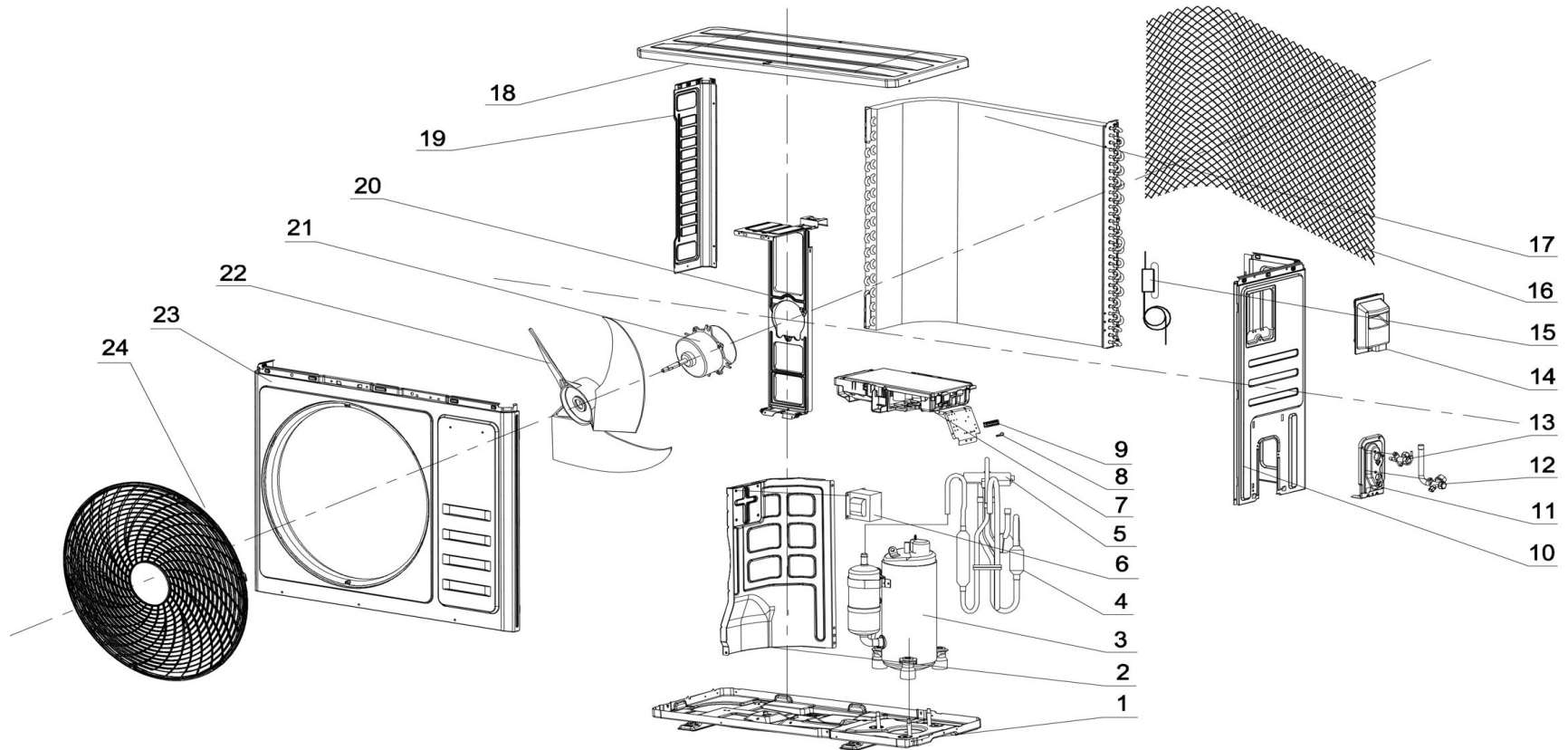
Above prices are subject to S&H charges

DATE 23-07

EXPLODED DIAGRAM - PARTS VIEW

Sales Model : KOIQ24H2-4

Power Supply : 208-230V / 1ph / 60Hz



This information is to be used by qualified HVAC technicians only and is subject to revision without notice

KOIQ24H2-4 - Drawing No. D5IQ2313

DATE 23-07

KOIQ24H2-4 - SPARE PARTS LIST

| No. | Part Number | Part Name | Specifications | Stock No. | Qty. | Price | Remarks |
|-----|-----------------|------------------------|----------------|-----------|------|---------|---------|
| 1 | 41202-000493 | Base | | | 1 | \$111.0 | |
| 2 | 41208-001119 | Middle metal panel | | | 1 | \$31.0 | |
| 3 | 92014-000935 | Compressor | | | 1 | \$437.0 | |
| 4 | 92007-019206 | 4-way valve module | | | 1 | \$249.0 | |
| 5 | / | 4-way valve | | | 1 | | |
| 6 | / | Reactor | | | 1 | | |
| 7 | 31201-002719_UX | Outdoor pcb assembly | | | 1 | \$396.0 | |
| 8 | 42001-000036 | Clamp | | | 1 | \$1.0 | |
| 9 | 11304-100045_UX | Terminal | | | 1 | \$16.0 | |
| 10 | 41205-000886 | Right plate assembly | | | 1 | \$51.0 | |
| 11 | 41204-000018 | Valve supporter | | | 1 | \$13.0 | |
| 12 | 92007-001042 | Globe valve assembly | | | 1 | \$45.0 | |
| 13 | 92007-001057 | Globe valve assembly | | | 1 | \$26.0 | |
| 14 | / | Safety cover assembly | | | 1 | | |
| 15 | 92007-019507 | Capillary assembly | | | 1 | \$18.0 | |
| 16 | 42011-000187 | Back grille | | | 1 | \$30.0 | |
| 16 | 42006-000377 | Sponge | | | 1 | \$4.0 | |
| 17 | 92011-005904 | Condenser | | | 1 | \$327.0 | |
| 18 | 41207-000688 | Top cover assembly | | | 1 | \$73.0 | |
| 19 | 41205-000117 | Left panel | | | 1 | \$29.0 | |
| 20 | 41203-000966 | Motor bracket assembly | | | 1 | \$51.0 | |
| 21 | 22001-000147_UX | Outdoor motor | | | 1 | \$171.0 | |
| 22 | 42004-000105 | Propeller fan | | | 1 | \$75.0 | |

This information is to be used by qualified HVAC technicians only and is subject to revision without notice

KOIQ24H2-4 - Parts List No. PSI2313

Above prices are subject to S&H charges

DATE 23-07

KOIQ24H2-4 - SPARE PARTS LIST

| No. | Part Number | Part Name | Specifications | Stock No. | Qty. | Price | Remarks |
|-----|--------------|----------------|----------------|-----------|------|--------|---------|
| 23 | 41206-000058 | Front panel | | | 1 | \$95.0 | |
| 24 | 42011-000039 | Fan guard | | | 1 | \$52.0 | |
| | A2005-000542 | Base carton | | | 1 | \$47.0 | |
| | / | Cabinet carton | | | 1 | | |
| | A1202-000042 | Base foam | | | 1 | \$28.0 | |
| | 10104-100145 | resistance | | | 1 | \$16.0 | |
| | 41213-000033 | Cover Foam | | | 1 | \$30.0 | |

This information is to be used by qualified HVAC technicians only and is subject to revision without notice
 Above prices are subject to S&H charges

KOIQ24H2-4 - Parts List No. P5IQ2313
 DATE 23-07