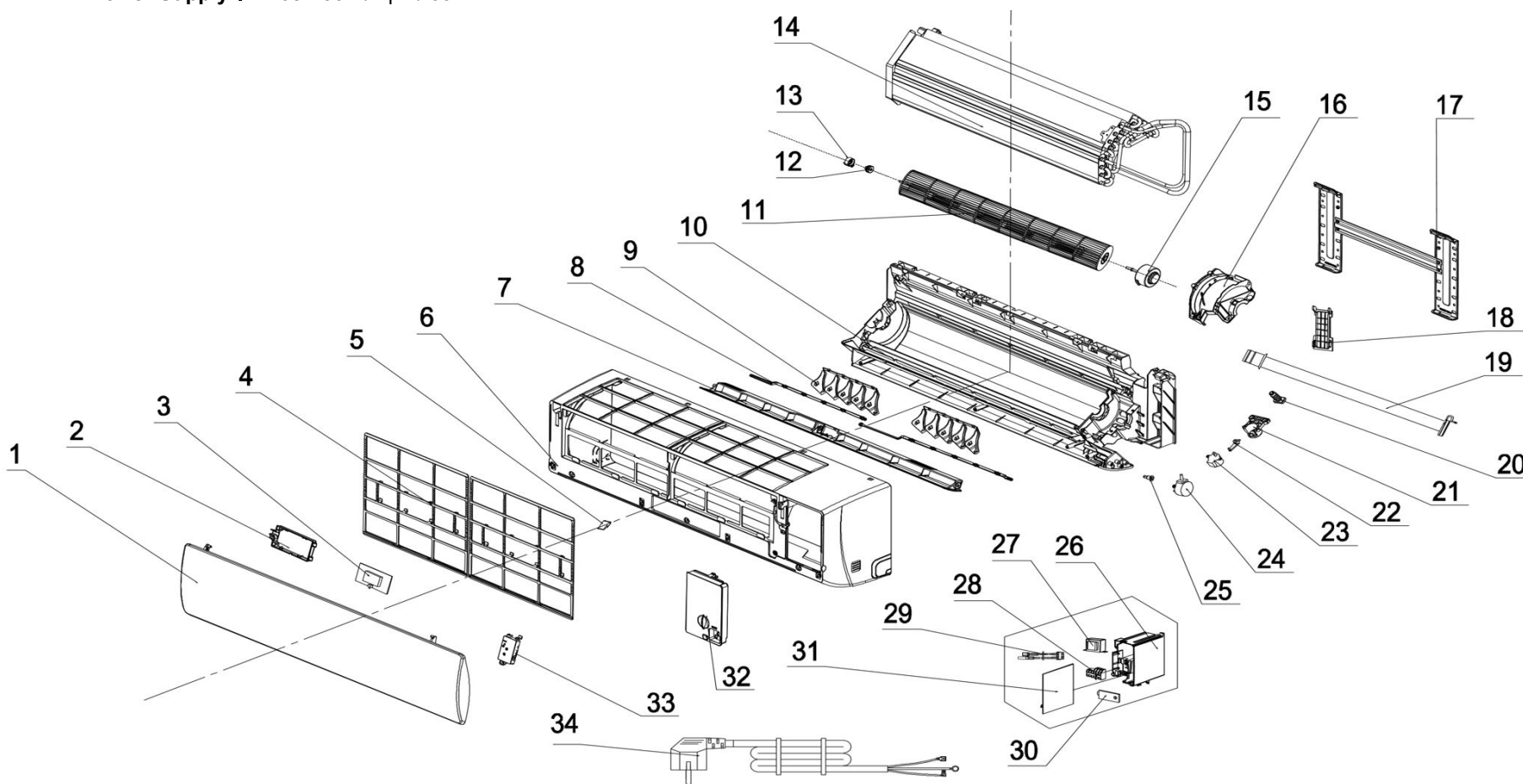


# EXPLODED DIAGRAM - PARTS VIEW

Sales Model : **KIWQ18H2-4T**

Power Supply : 208-230V / 1ph / 60Hz



This information is to be used by qualified HVAC technicians only and is subject to revision without notice

KIWQ18H2-4T - Drawing No. D5WQ2306

DATE 23-07

## KIWQ18H2-4T - SPARE PARTS LIST

No.	Part Number	Part Name	Specifications	Stock No.	Qty.	Price	Remarks
1	41106-020871	Front panel			1	\$65.0	
2	42003-000001	Display PCB box			1	\$3.0	
3	31102-000085	Display PCB			1	\$34.0	
4	42008-000069	Air filter			2	\$23.0	
5	41108-000066	Screw cover			2	\$1.0	
6	41106-002488	Face frame			1	\$93.0	
7	41103-000484	Vane assembly			1	\$28.0	
8	41507-000076	Swept connecting rod			1	\$5.0	
9	41101-000042	Vertical vane			3	\$5.0	
10	41102-000096	Base			1	\$143.0	
11	42004-000002	Cross Fan			1	\$77.0	
12	42007-000009	Bearing mount			1	\$7.0	
13	41101-000251	Bearing sleeve			1	\$2.0	
14	92011-010747	Evaporator			1	\$271.0	
15	22001-000240	Indoor Motor			1	\$182.0	
16	42003-000045	Indoor motor cover			1	\$23.0	
17	41109-000019	Installation plate			1	\$24.0	
18	41101-000224	In and out pipe fixer			1	\$3.0	
19	42009-000011	Drainage hose			1	\$15.0	
20	92012-000185	Drain pipe rubber plug			1	\$4.0	
21	42001-000004	Pendulum motor fixed seat			1	—	
22	41108-000058	Crank			1	\$1.0	
23	22001-000318	Step Motor			1	\$23.0	

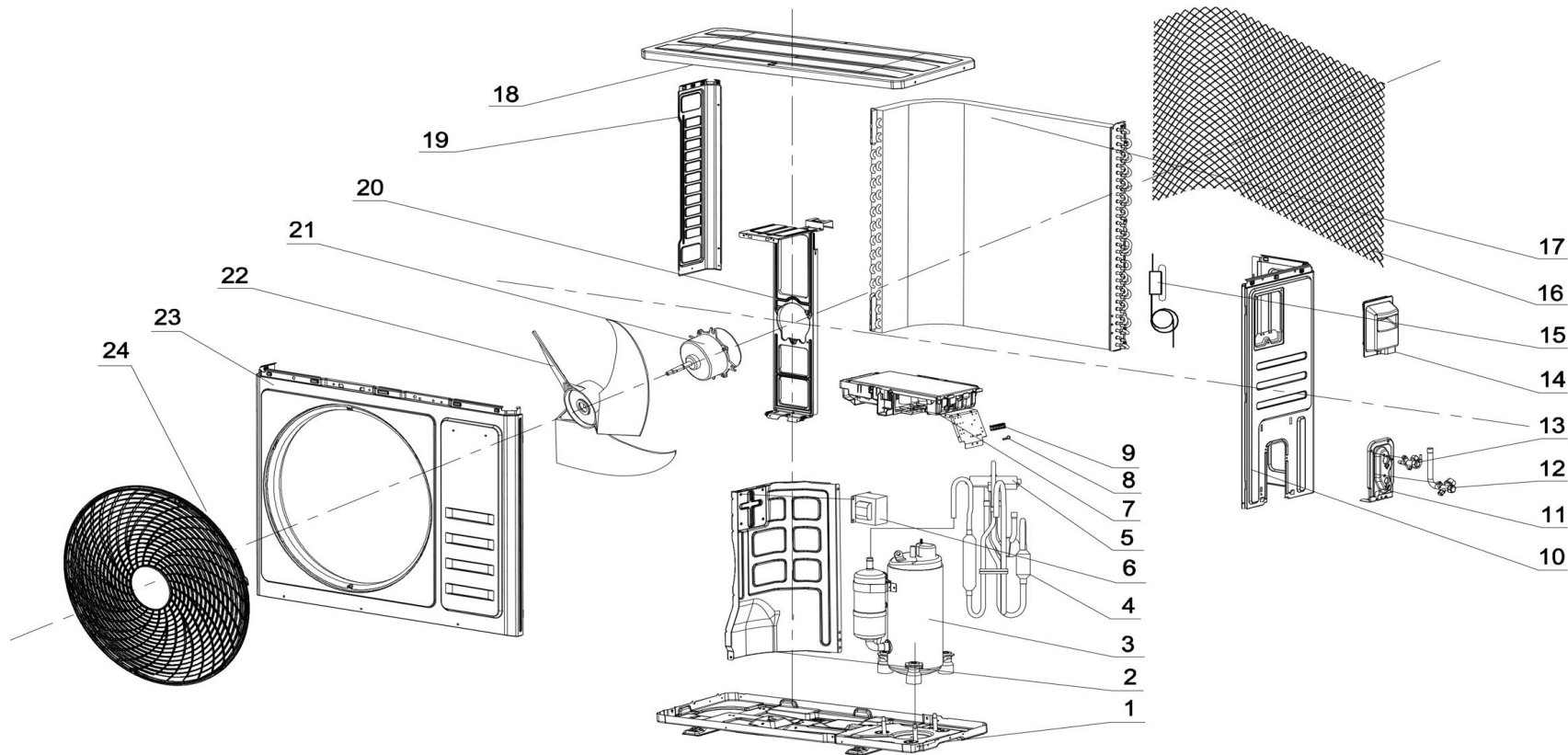
## KIWQ18H2-4T - SPARE PARTS LIST

No.	Part Number	Part Name	Specifications	Stock No.	Qty.	Price	Remarks
24	22001-000321	Step Motor			1	\$26.0	
25	41101-000252	Electric axis			1	\$1.0	
26	41105-000427	Electrical box			1	\$53.0	
27	/	Transformer			1	—	
28	11304-100063	Terminal			1	\$14.0	
29	10104-100014	Sensor			1	\$12.0	
30	42001-000103	Clamp			1	\$12.0	
31	31101-002010	Main pcb of wall-mounting unit			1	\$154.0	
32	41211-000079	Electronic control box cover assembly			1	\$14.0	
33	32001-000140	Wi-Fi module			1	\$62.0	
34	/	Power supply cord			1	—	
	22013-005877	remote control			1	\$60.0	
	/	Indoor carton			1	—	
	A2006-000070	Packing foam			1	\$17.0	
	A2006-000068	Packing foam			1	\$17.0	

# EXPLODED DIAGRAM - PARTS VIEW

Sales Model : KOIQ18H2-4

Power Supply : 208-230V / 1ph / 60Hz



This information is to be used by qualified HVAC technicians only and is subject to revision without notice

KOIQ18H2-4 - Drawing No. D5IQ2312

DATE 23-07

## KOIQ18H2-4 - SPARE PARTS LIST

No.	Part Number	Part Name	Specifications	Stock No.	Qty.	Price	Remarks
1	41202-000402	Base			1	\$73.0	
2	41208-001167	Middle metal panel			1	\$41.0	
3	92014-000861	Compressor			1	\$329.0	
4	92007-019247	4-way valve module			1	\$180.0	
5	92008-000245_UX	4-way valve			1	\$98.0	
6	/	Reactor			1		
7	31201-002717	Outdoor pcb assembly			1	\$380.0	
8	42001-000036	Clamp			2	\$1.0	
9	11304-100045	Terminal			1	\$16.0	
10	41205-000885	Right plate assembly			1	\$39.0	
11	41204-000018	Valve supporter			1	\$13.0	
12	92007-018704	Valve assembly			1	\$36.0	
13	92007-001037	Globe valve assembly			1	\$25.0	
14	41201-000106	Outdoor safety cover			1	\$21.0	
15	92007-018863	Capillary assembly			1	\$26.0	
16	42011-000168	Back grille			1	\$30.0	
16	42006-000377	Sponge			1	\$4.0	
17	92011-008482	Condenser			1	\$354.0	
18	41207-000684	Top cover assembly			1	\$47.0	
19	41205-000119	Left panel			1	\$24.0	
20	41203-000960	Motor bracket assembly			1	\$33.0	
21	22001-000493	Outdoor Motor			1	\$128.0	
22	42004-000104	Propeller fan			1	\$50.0	

This information is to be used by qualified HVAC technicians only and is subject to revision without notice

KOIQ18H2-4 - Parts List No. P5IQ2312

Above prices are subject to S&H charges

DATE 23-07

## KOIQ18H2-4 - SPARE PARTS LIST

No.	Part Number	Part Name	Specifications	Stock No.	Qty.	Price	Remarks
23	41206-000057	Front panel			1	\$67.0	
24	42011-000040	Fan guard			1	\$53.0	
	A1202-000026	Base foam			1	\$23.0	
	A2005-000540	Base carton			1	\$14.0	
	10104-100136	Sensor			1	\$27.0	
	/	Cabinet carton			1		
	41213-000019	Cover Foam			1	\$18.0	

This information is to be used by qualified HVAC technicians only and is subject to revision without notice  
 Above prices are subject to S&H charges

KOIQ18H2-4 - Parts List No. P5IQ2312  
 DATE 23-07