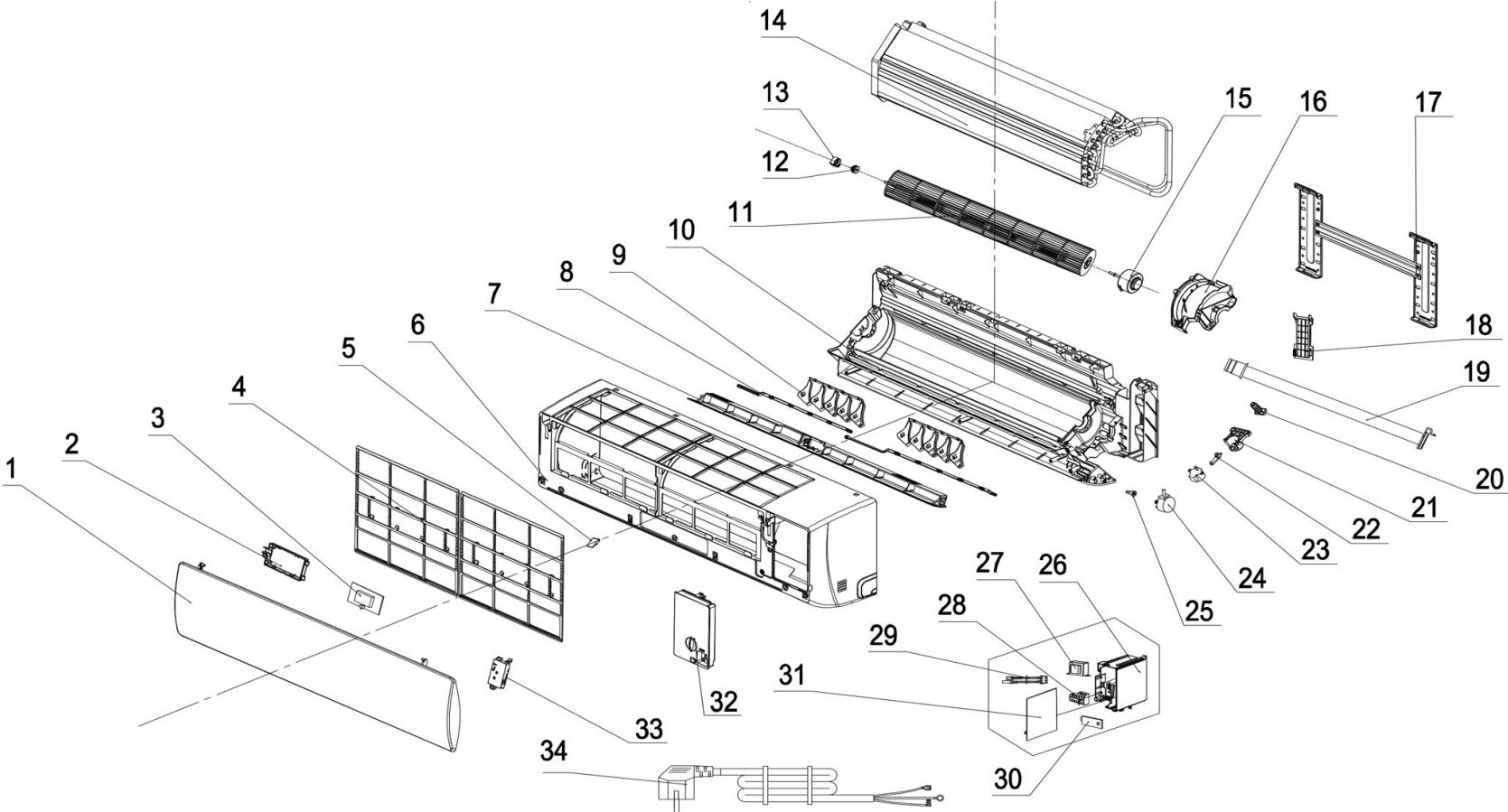


# EXPLODED DIAGRAM - PARTS VIEW

Sales Model : KIWQ12H1-4T

Power Supply : 115V / 1ph / 60Hz



This information is to be used by qualified HVAC technicians only and is subject to revision without notice

KIWQ12H1-4T - Drawing No. D5WQ2306

DATE 23-07

## KIWQ12H1-4T - SPARE PARTS LIST

No.	Part Number	Part Name	Specifications	Stock No.	Qty.	Price	Remarks
1	41106-020872	Front panel			1	\$54.0	
2	42003-000016	Display PCB box			1	\$5.0	
3	31102-000085	Display PCB			1	\$34.0	
4	42008-000047	Air filter			2	\$15.0	
5	41108-000066	Screw cover			1	\$1.0	
6	41106-002375	Face frame assembly			1	\$83.0	
7	41103-000102	Vane assembly			1	\$20.0	
8	41101-000127	Connecting rod			1	\$3.0	
8	41101-000120	Connecting rod			1	\$3.0	
9	41101-000033	Vertical vane			2	\$3.0	
10	41102-000113	Base			1	\$77.0	
11	42004-000001	Cross fan			1	\$58.0	
12	42007-000009	Bearing mount			1	—	
13	41101-000251	Bearing sleeve			1	\$2.0	
14	92011-010153	Evaporator			1	\$255.0	
15	22001-000307	Indoor motor			1	\$124.0	
16	42003-000051	Indoor motor cover			1	\$11.0	
17	41109-000053	Installation plate			1	\$23.0	
18	41101-000242	In and out pipe fixer			1	\$4.0	
19	42009-000011	Drainage hose			1	\$15.0	
20	92012-000185	Drain pipe rubber plug			1	\$4.0	
21	41108-000118	Motor seat			1	\$1.0	
22	41108-000053	Crank			1	\$1.0	

This information is to be used by qualified HVAC technicians only and is subject to revision without notice

KIWQ12H1-4T - Parts List No. D5WQ2306

Above prices are subject to S&H charges

DATE 23-07

## KIWQ12H1-4T - SPARE PARTS LIST

No.	Part Number	Part Name	Specifications	Stock No.	Qty.	Price	Remarks
23	22001-000313	Step Motor			1	\$19.0	
24	22001-000318	Step Motor			1	\$23.0	
25	41101-000252	Electric axis			1	\$1.0	
26	41105-000427	Electrical box			1	\$53.0	
27	/	Transformer				—	
28	11304-100063	Terminal			1	\$14.0	
29	10104-100014	Sensor			1	\$12.0	
30	42001-000103	Clamp			1	\$1.0	
31	31101-002035	Main PCB			1	\$185.0	
32	41211-000077	Electronic control box cover assembly			1	\$25.0	
33	32001-000140	Wi-Fi module			1	\$62.0	
34	/	Power supply cord			1	—	
	41110-000263	Right foam			1	\$13.0	
	22013-004238	Remote control			1	\$60.0	
	41110-000220	Left foam			1	\$13.0	

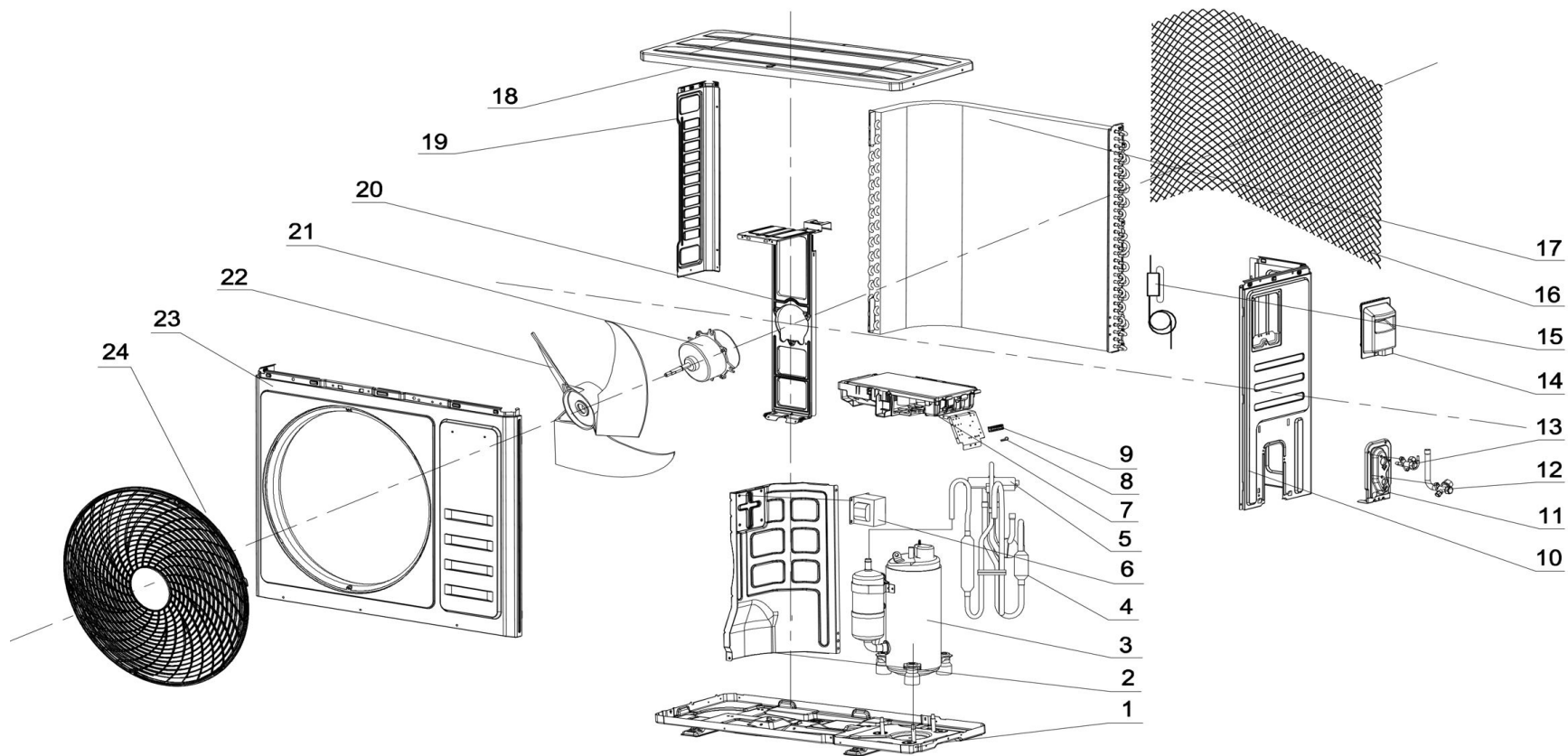
This information is to be used by qualified HVAC technicians only and is subject to revision without notice  
 Above prices are subject to S&H charges

KIWQ12H1-4T - Drawing No. D5WQ2306  
 DATE 23-07

# EXPLODED DIAGRAM - PARTS VIEW

Sales Model : KOIQ12H1-4

Power Supply : 115V / 1ph / 60Hz



This information is to be used by qualified HVAC technicians only and is subject to revision without notice

KOIQ12H1-4 - Drawing No. D5IQ2311

DATE 23-07

## KOIQ12H1-4 - SPARE PARTS LIST

No.	Part Number	Part Name	Specifications	Stock No.	Qty.	Price	Remarks
1	41202-000216	Base			1	\$64.0	
2	41208-001156	Middle metal panel			1	\$23.0	
3	22007-001044	Compressor connection line			1	\$29.0	
4	92007-018859	Four-way valve module			1	\$170.0	
5	92008-000318_UX	4-way valve			1	\$93.0	
6	/	Reactor			0		
7	31201-002628_UX	Outdoor pcb assembly			1	\$340.0	
8	42001-000036	Clamp			1	\$1.0	
9	11304-100116	Terminal			1	\$12.0	
10	41205-000635	Right plate			1	\$34.0	
11	41204-000018	Valve supporter			1	\$13.0	
12	92008-000146	Three-way valve			1	\$55.0	
13	92008-000051	Two-way valve			1	\$18.0	
14	41201-000106	Outdoor safety cover			1		
15	92007-009314	Capillary assembly			1	\$34.0	
16	42011-000184	Back grille			1	\$28.0	
17	92011-000831	Condenser			1	\$295.0	
18	41207-000683	Top cover assembly			1	\$40.0	
19	41205-000121	Left panel			1	\$15.0	
20	41203-000961	Motor bracket assembly			1	\$20.0	
21	22001-000555	Outdoor motor			1	\$154.0	
22	42004-000107	Propeller fan			1	\$28.0	
23	41206-000216	Front panel			1	\$57.0	

This information is to be used by qualified HVAC technicians only and is subject to revision without notice

KOIQ12H1-4 - Parts List No. P5IQ2311

Above prices are subject to S&H charges

DATE 23-07

## KOIQ12H1-4 - SPARE PARTS LIST

No.	Part Number	Part Name	Specifications	Stock No.	Qty.	Price	Remarks
24	42011-000038	Fan guard			1	\$29.0	
	10104-100055	Sensor			1	\$27.0	
	A1202-000031	Base foam			1	\$14.0	
	41213-000023	Cover Foam			1	\$12.0	
	A2005-000523	Base carton			1	\$10.0	

This information is to be used by qualified HVAC technicians only and is subject to revision without notice

KOIQ12H1-4 - Parts List No. P5IQ2311

Above prices are subject to S&H charges

DATE 23-07