

KMIP *SERIES*

OUTDOOR UNIT HEAT PUMP

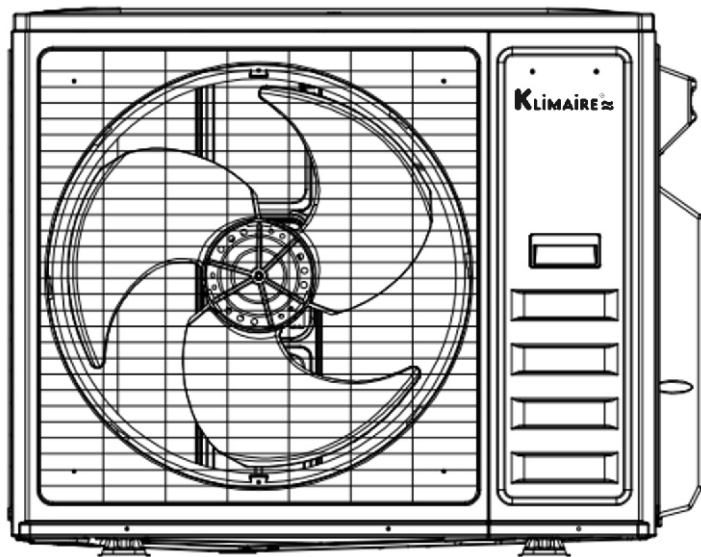
MULTIZONE SYSTEM

Service Manual

Inverter air conditioner

UP TO SEER2 24 - HSPF2 10.5

For 18,000-42,000 BTU/h Systems



Models Covered:

Outdoor Unit

KMIP218-H225-4 Dual (2 Zones)
KMIP327-H225-4 Triple (3 Zones)
KMIP436-H223-4 Quad (4 Zones)
KMIP542-H221-4 Quint (5 Zones)

KLIMAIRE®
Mark of Superior Quality

IMPORTANT NOTE:

Read this manual carefully before installing or operating your new air conditioning unit. Be sure to keep this manual for future reference. For more information, please visit www.klimaite.com



Scan the QR code to visit our Help Center for installation guides, manuals, videos and more.



S1MP2601

CONTENT

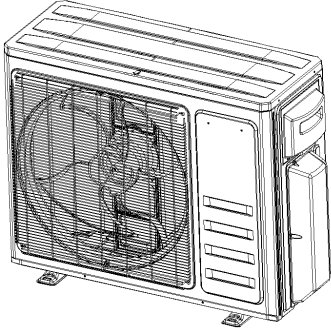
1. Technical Information	3
1.1. Summary.....	3
2. Unit Dimension	4
3. System Diagram	7
4. Electrical Part	8
4.1. Wiring Diagram.....	8
4.2. PCB Printed Diagram.....	12
4.3. Function and Control.....	14
5. Installation Manual	20
5.1. Installation For Servicing.....	20
5.2. Installation precautions.....	26
5.3. Installation Preparation.....	31
5.4. Unit Installation.....	38
5.5. Electrical Installation.....	51
5.6. Test Running.....	53
6. Troubleshooting	56
6.1. Error Code.....	55
6.2 Troubleshooting.....	59
7. Unit Disassembly	82
8. THERMISTOR TEMPERATURE CHARACTERISTICS	99

1. Technical Information

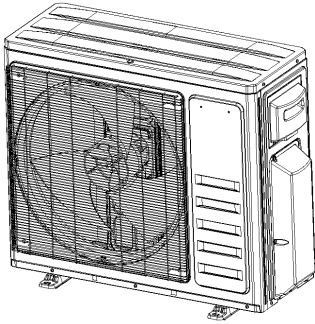
1.1. Summary

1.1.1. Outdoor Unit

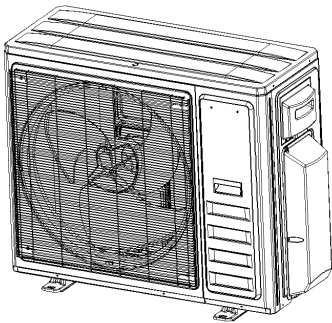
Dual (2 Zones 18k)



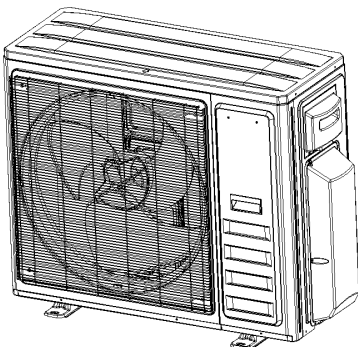
Triple (3 Zones 27k)



Quad (4 Zones 36k)

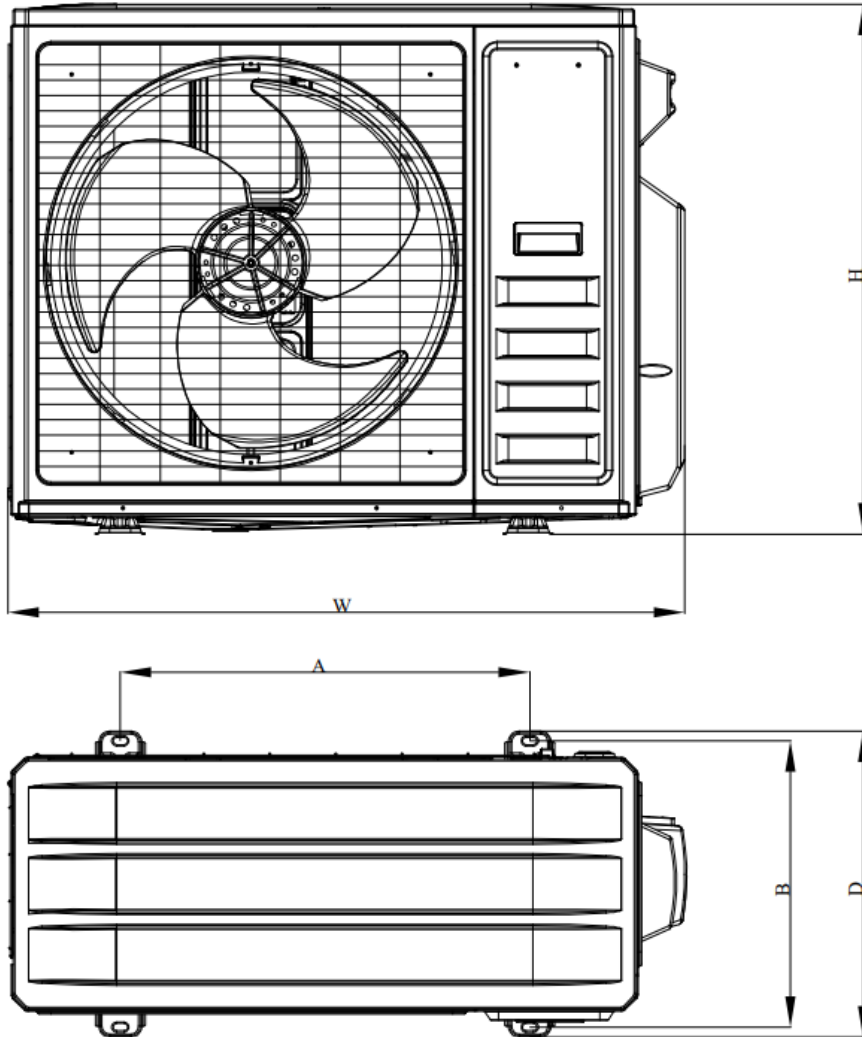


Quint (5 Zones 42k)



2. Unit Dimension

2.1. ODU Dimension

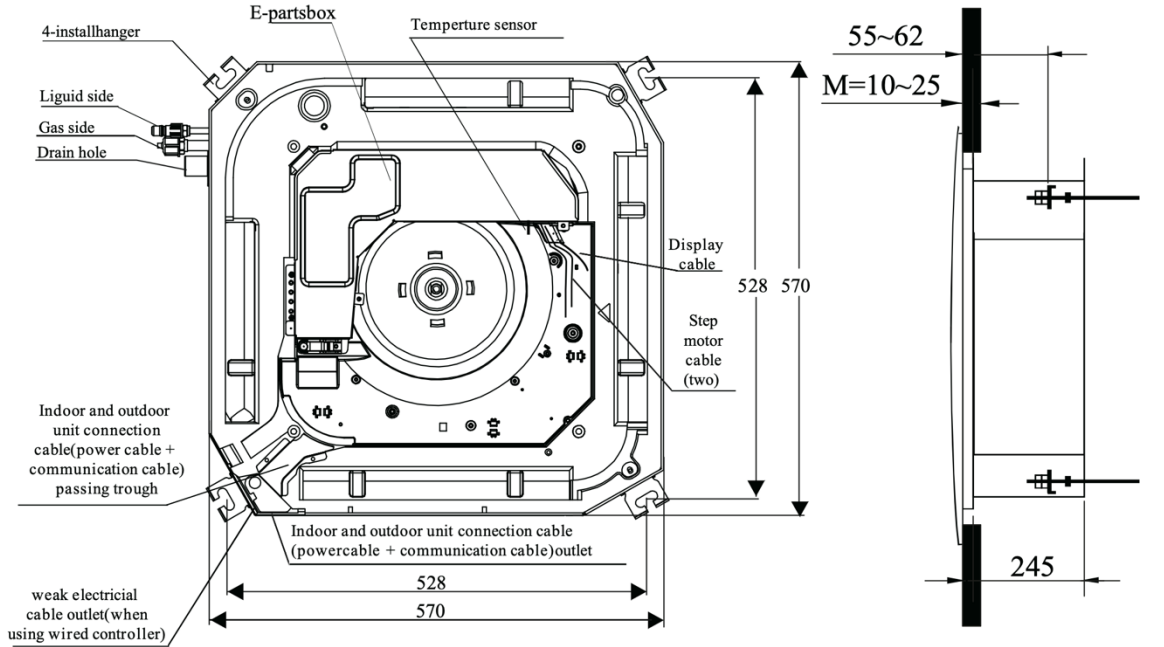


Outdoor Model	Outdoor Unit Dimensions mm (in)	Mounting Dimensions mm (in.)	
	W *H *D	A	B
Dual (2 Zone 18k)	927*699*375 (36.5*27.5*14.8)	586 (23.1)	348 (13.7)
Triple (3 Zone 27k)	984*804*412 (38.8*31.7*16.2)	607 (23.9)	390 (15.4)
Quad (4 Zone 36k)	1094*858*494 (43.1*33.8*119.5)	660 (26.0)	462 (18.2)
Quint (5 Zone 42k)			

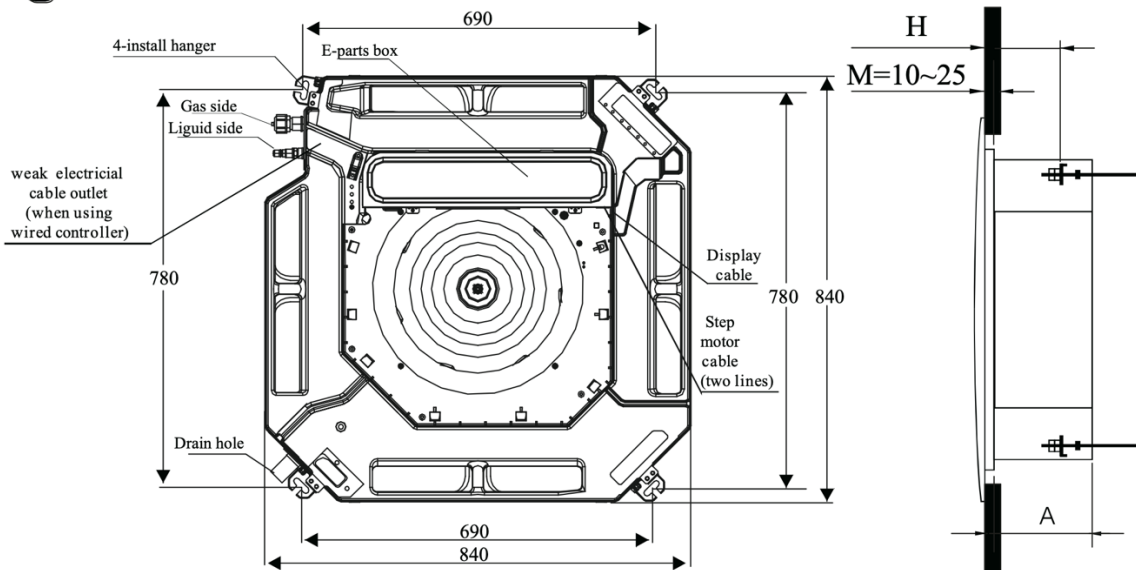
2.2.IDU Dimension

1. Cassette

12k-18k



24k

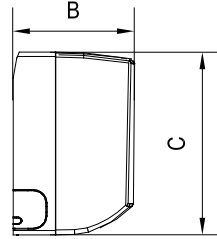
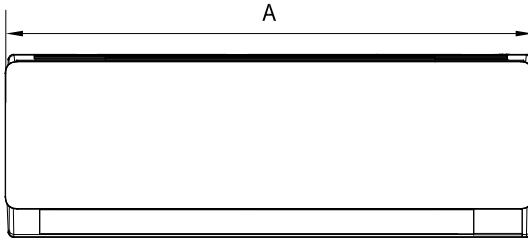
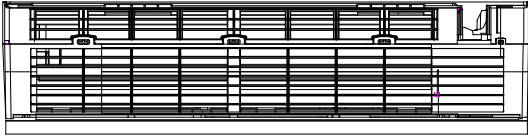


Dimension

Unit: mm

Model	A	H
09/12/18k	245	130-135
24k	245	130-135

2. Mini split



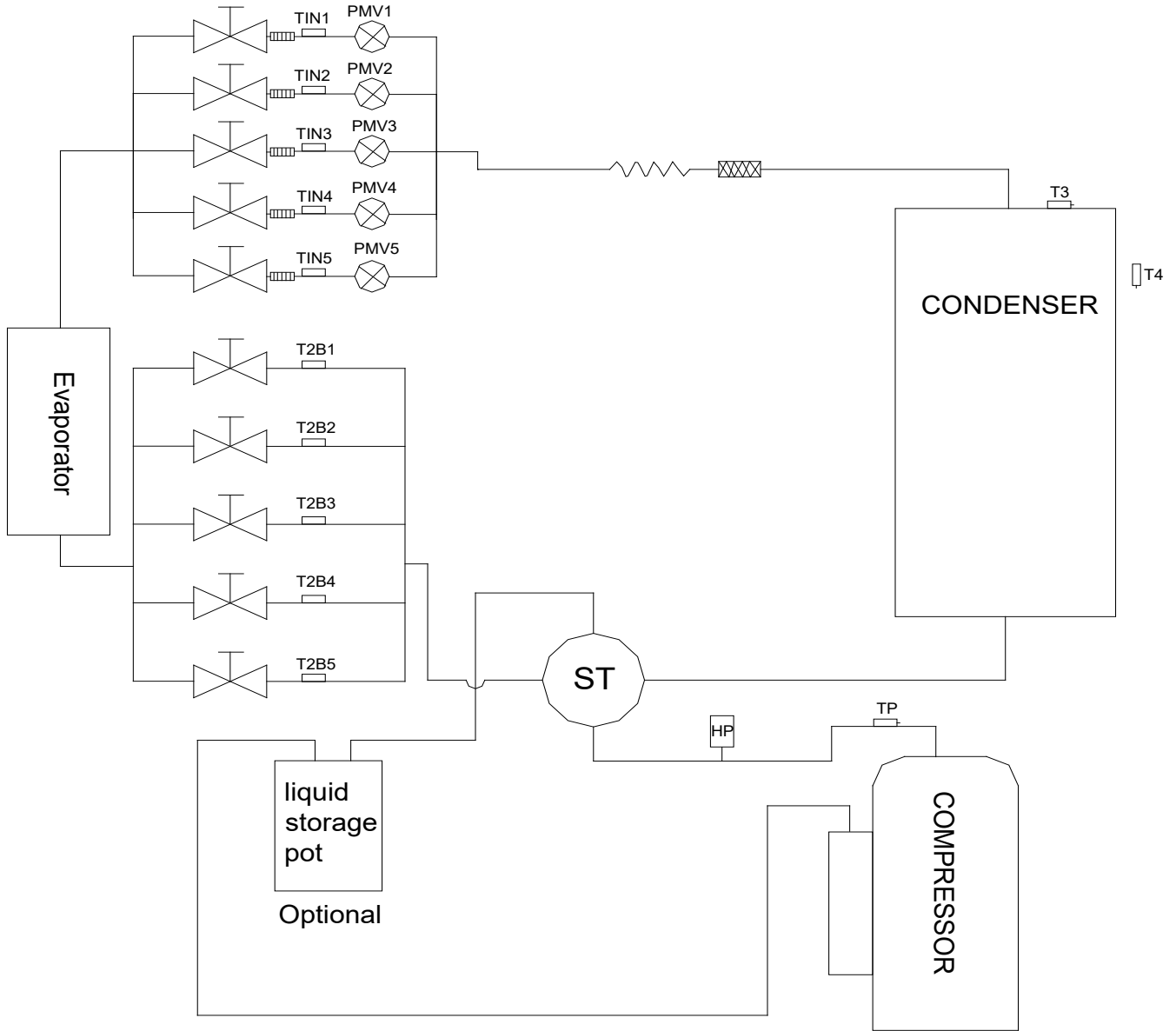
Unit: mm

T series Model	Indoor unit		
	A	B	C
9k	820	195.3	305.6
12k	920	195.3	305.6
18k	1010	315	220

3.Refrigerant System Diagram

Schematic Diagram of Free Match Series Inverter Heat Pump System:

Take Quint (5 Zones 42k) for reference

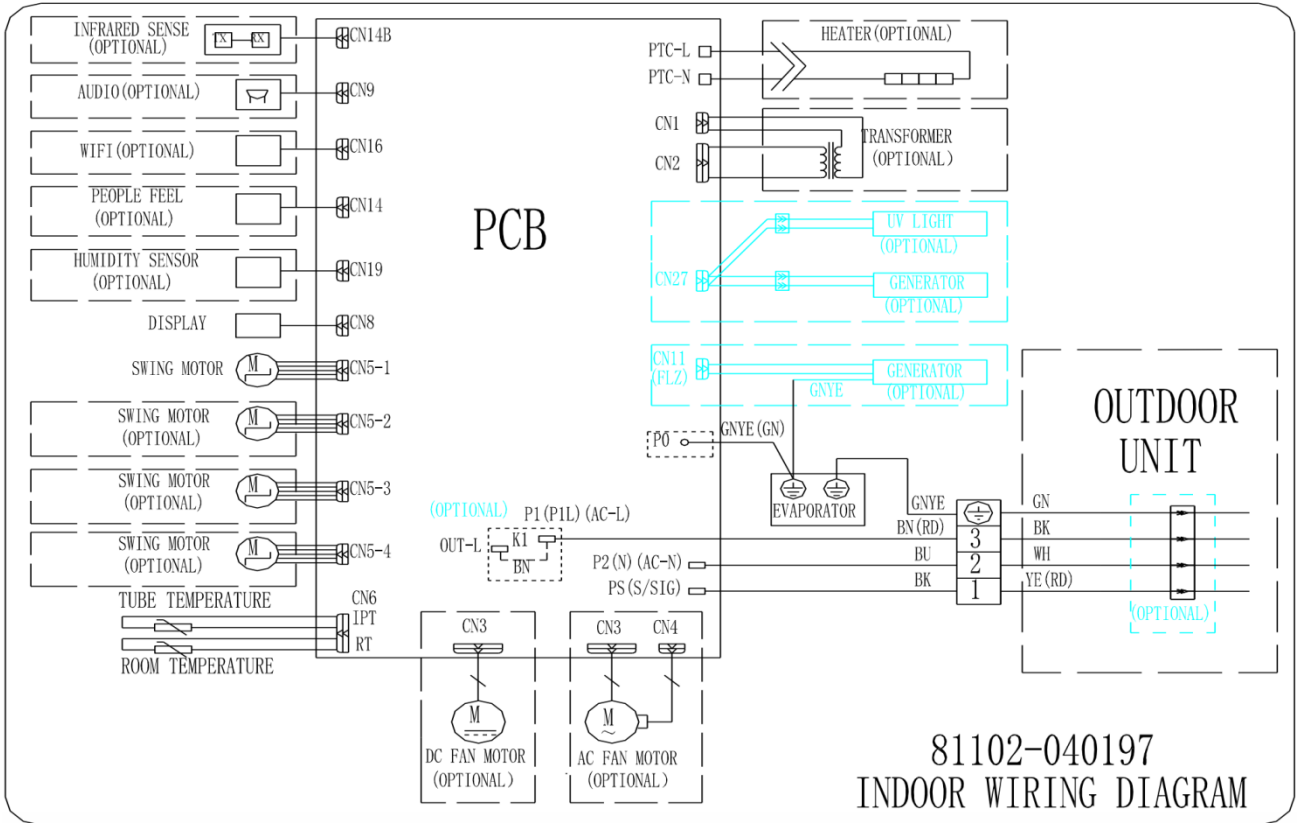


4. Electrical Part

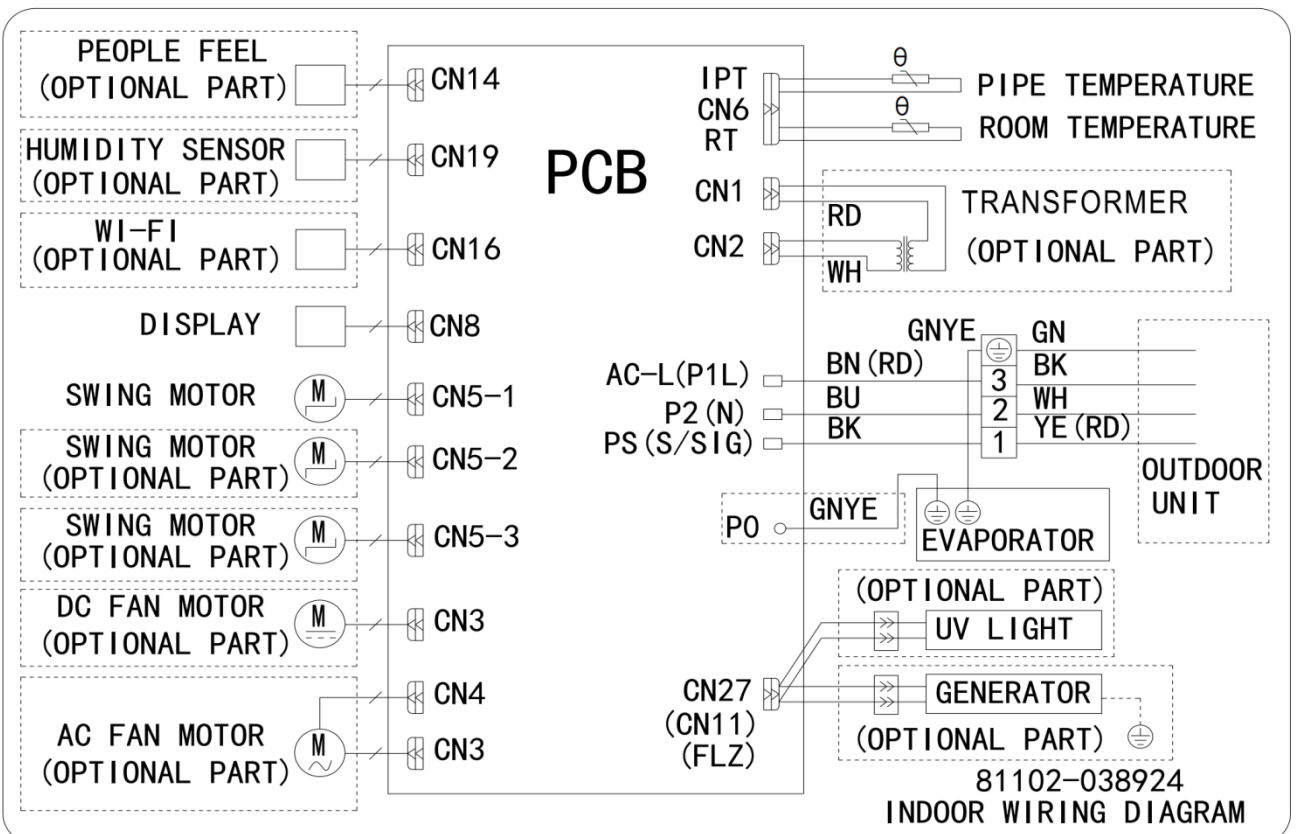
4.1. Wiring Diagram

Indoor Unit

Mini split 12k 18k

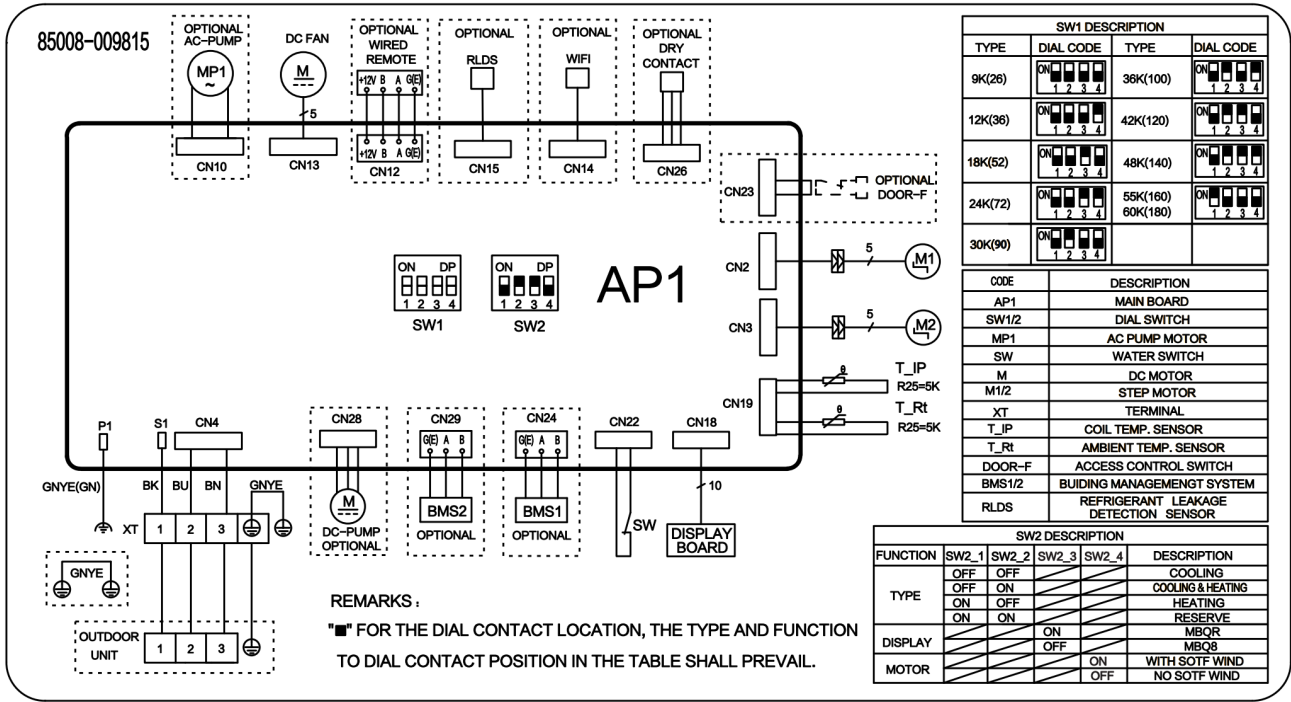


Mini split 9k



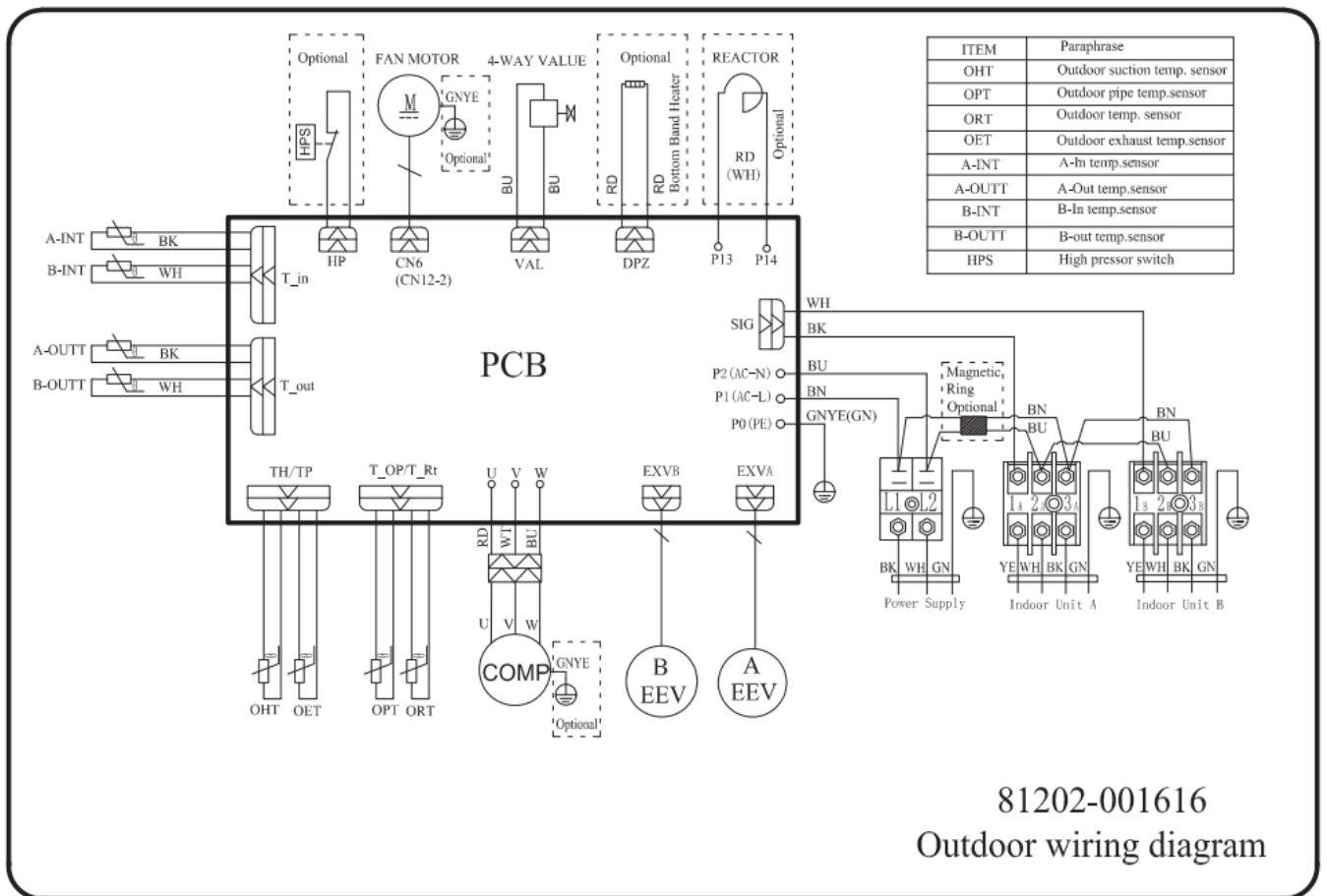
Indoor Unit

Cassette 9k 12k 18k 24k

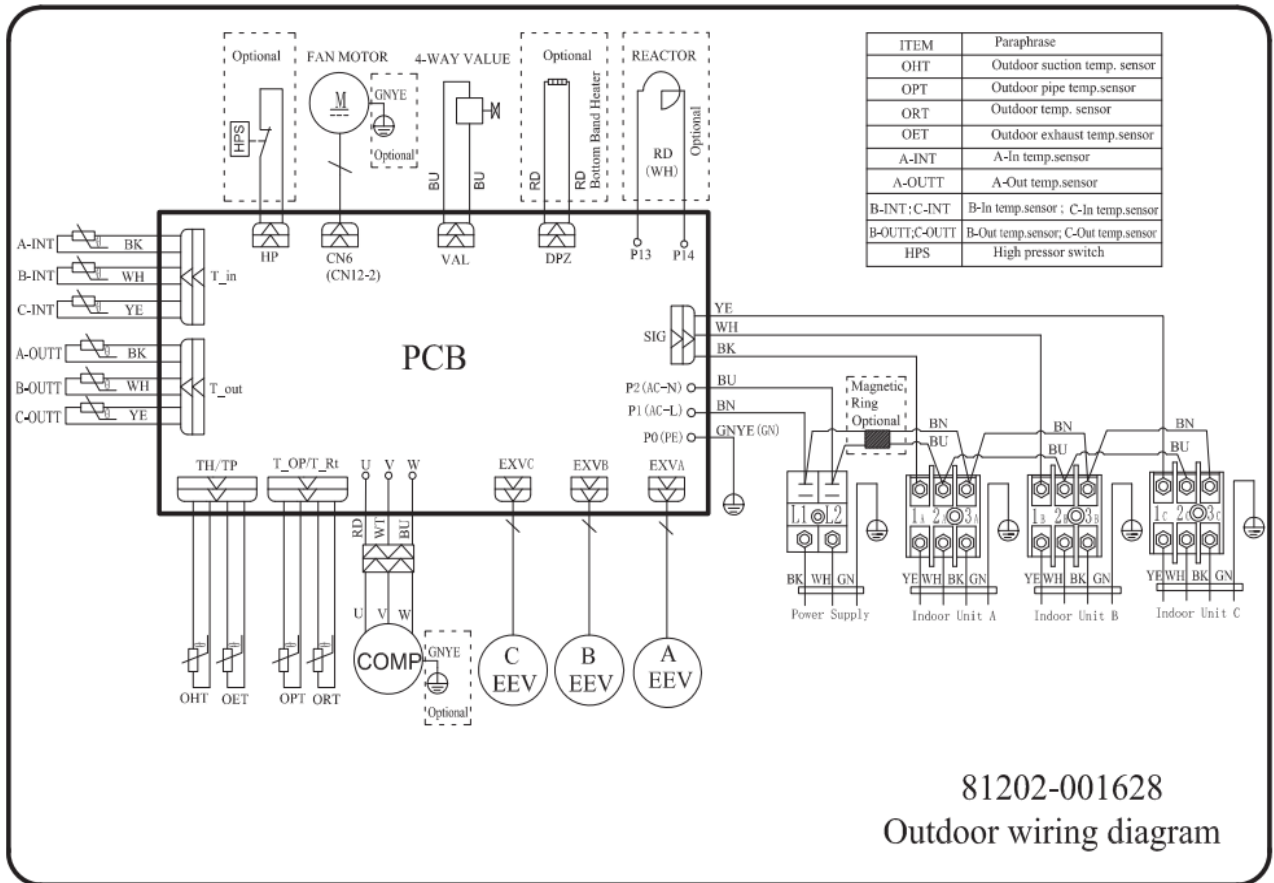


Outdoor Unit

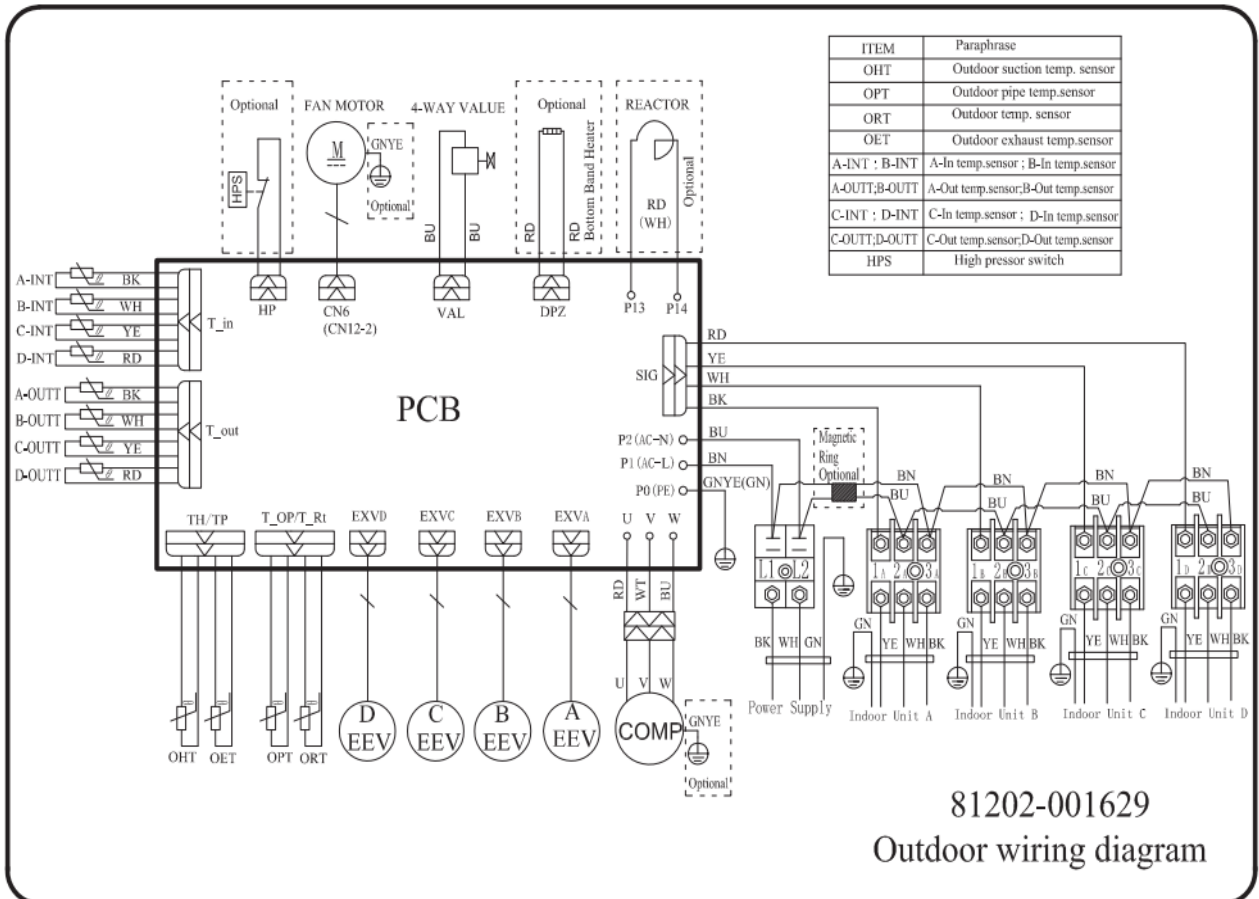
Dual (2 Zone 18k)



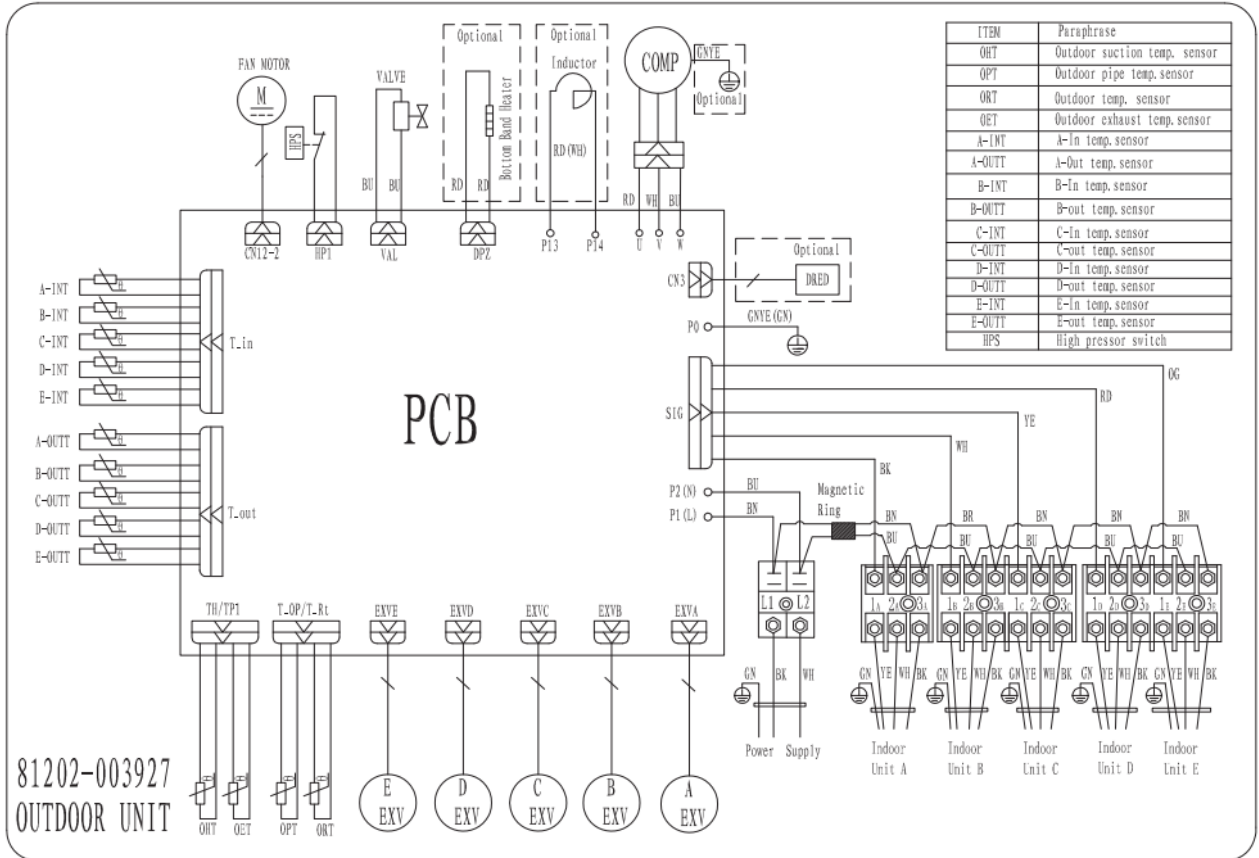
Triple (3 Zone 27k)



Quad (4 Zone 36K)



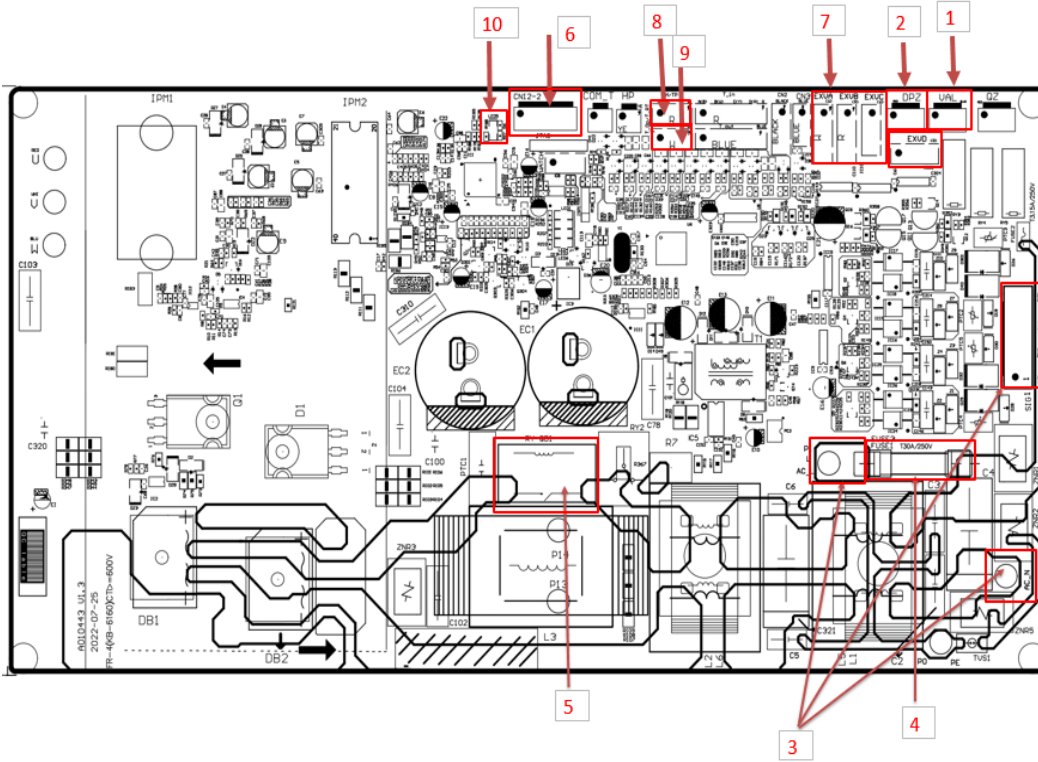
Quint (5 Zone 42k)



4.2. ODU PCB Printed Diagram

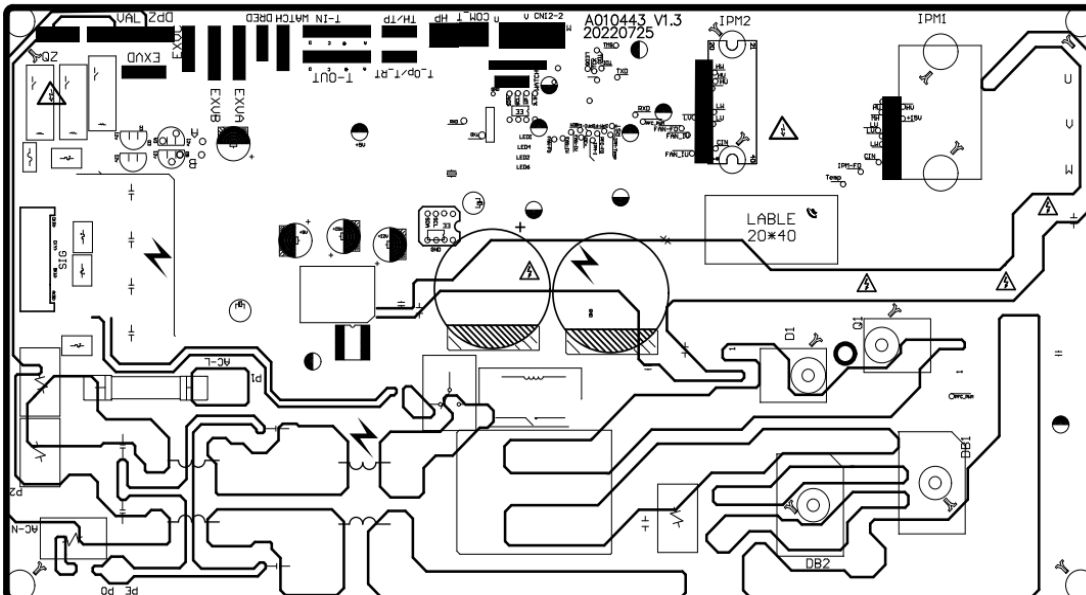
Model: Dual (2 Zone 18k) Triple (3 Zone 27k) Quad (4 Zone 36k)

Top View:



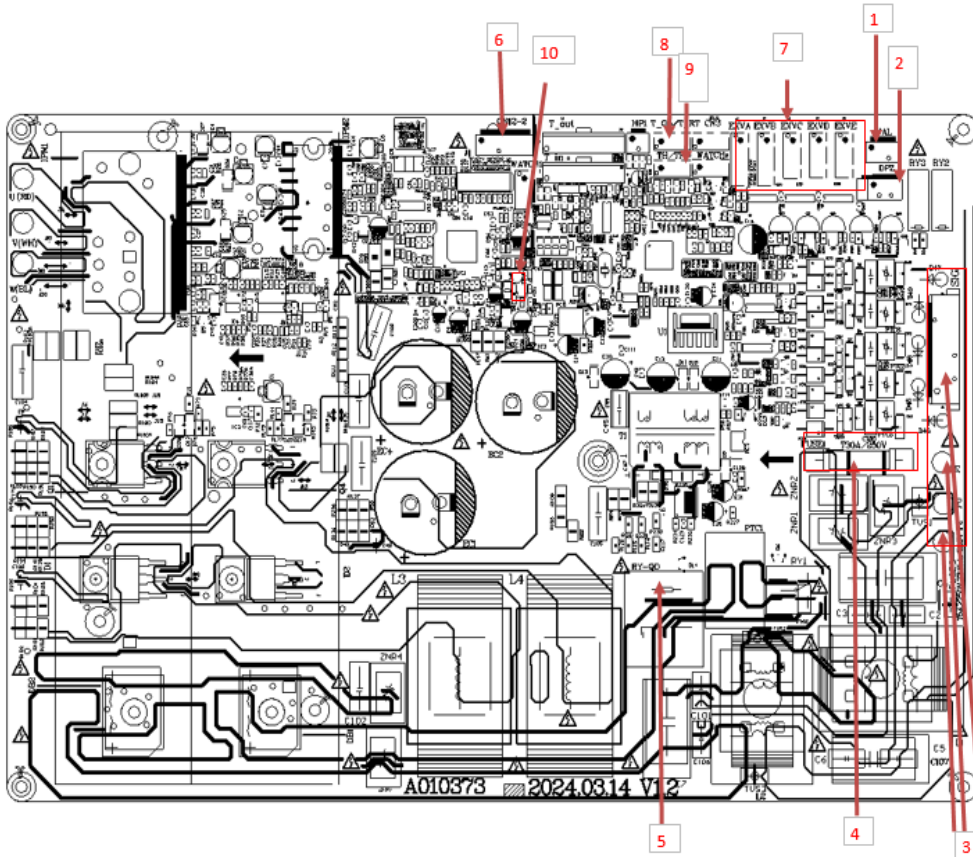
Bottom view:

1	4-way valve
2	Heater
3	L, N & Communication
4	Fuse
5	ODU PCB Main relay
6	DC and AC Motor connector
7	Discharge sensor connector
8	OAT/OPT sensor connector
9	LED5



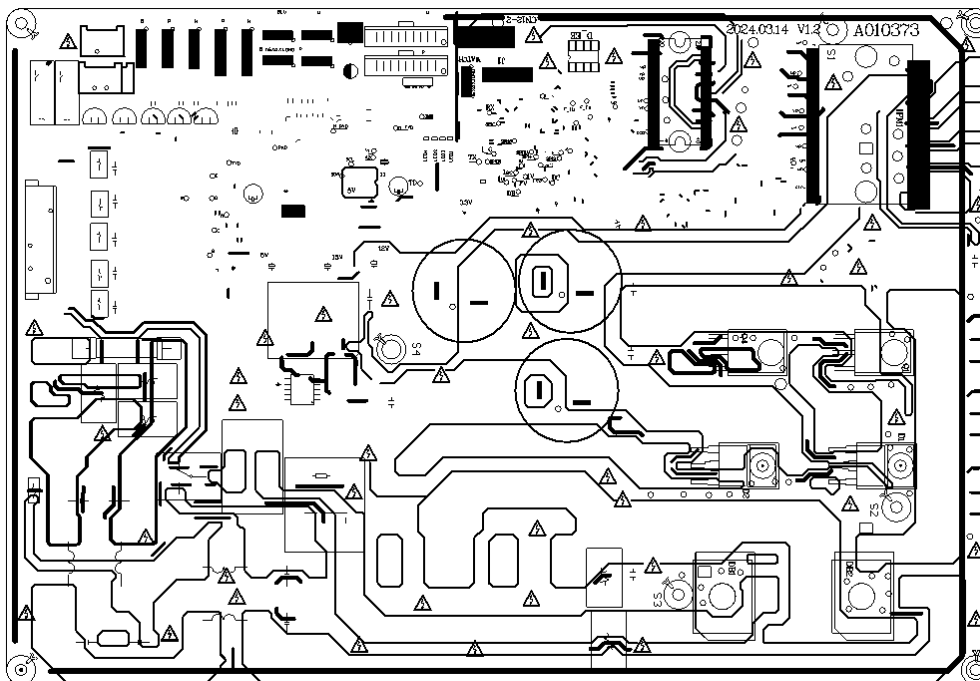
Model: Quint (5 Zone 42k)

Top View:



1	4-way valve
2	Heater
3	L, N & Communication
4	Fuse
5	ODU PCB Main relay
6	DC and AC Motor connector
7	Electronic expansion valve
8	Discharge sensor connector
9	OAT/OPT sensor connector
10	LED5

Bottom view:



4.3. Function and Control

4.3.1. Function Control

1. “COOLING” Mode Operation

(1) Compressor frequency control

According to difference room temperature and set temperature ($\delta t = RT - ST$), running frequency of compressor is controlled by electronic controller. When room temperature is much higher than set temperature, the compressor will start at a high frequency, and as room temperature goes down, the compressor running frequency will go down. When room temperature is lower than set temperature, the compressor will run at very low frequency. In general, unit will change its running frequency according to δt to make room temperature closing to set temperature.

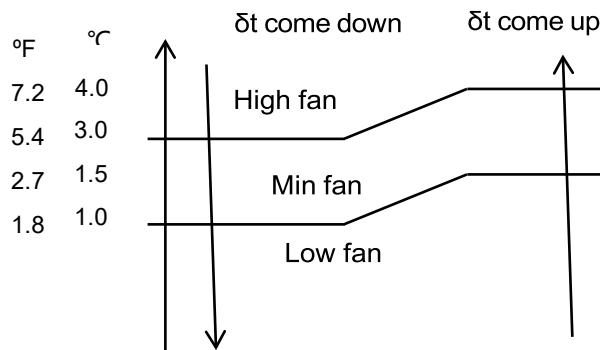
(2) Outdoor temperature affects running frequency of the compressor

Outdoor temperature affects compressor's running frequency. Difference inlet temperature of outdoor unit is adapted by difference compressor running frequency. While outdoor temperature is about 86° F (30°C), the compressor will run in high frequency.

If unit run in “cooling” mode and outdoor temperature is less than 28.4° F (-2°C), the controller will shut down compressor and show error code, while the ambient temperature is over 33.8° F (1°C), the compressor will run automatically.

(3) Auto fan control in cooling mode

In cooling mode (include cooling in “Feel” mode), fan speed is determined by δt , as the following diagram:



2. “DRY” Mode Operation

(1) The system for DRY operation used the same refrigerant circle as the cooling one.

(2) When the system operates in DRY mode, at first it operates in cooling mode, the set temperature (ST) is “RT 28.4° F (-2°C)”. After that, the system will operate in cooling mode with lowest fan speed. During the course of this operation, you can't use remote controller to adjust the fan speed but you can control the vane direction.

(3) In the dry mode, when $RT \leq 53.6^\circ \text{ F}$ (12°C), the compressor will stop and operates again at $RT \geq 57.2^\circ \text{ F}$ (14°C).

3. “HEATING” Mode Operation (available for Heat Pump only)

(1) Frequency control

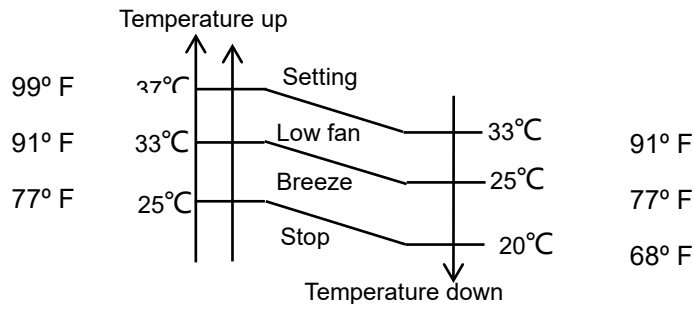
Same as the frequency control in cooling mode, the running frequency of compressor is controlled by controller. Unit change its running frequency according to δt to make the room temperature closing to the set temperature.

(2) Indoor fan motor control

1) Cold Air Prevention Control

- The function is intended to prevent cold air from being discharged when heating mode selected or while in defrosting.
- The indoor fan speed will be controlled as following.

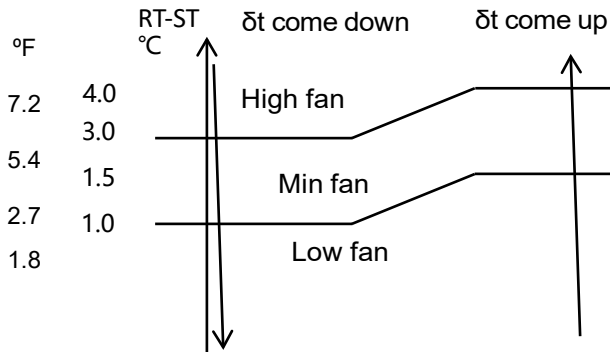
Indoor pipe Temperature



- In heating operation, if air conditioner turns off, the indoor fan motor will run most for 30 seconds since the stop of compressor.

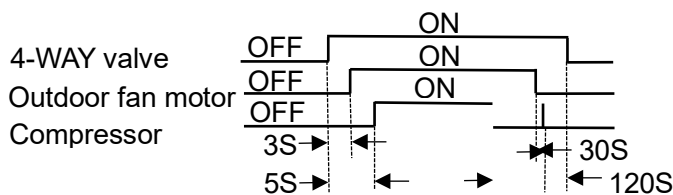
2) Auto fan control (heating)

In heating mode (include in "feel" mode), fan speed is determined by δt as the following:



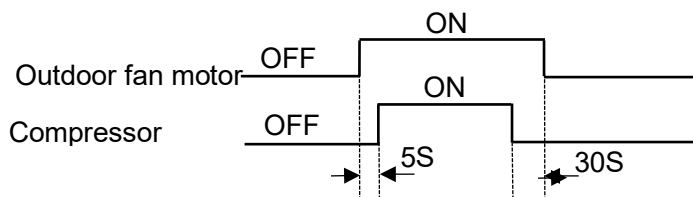
(3) 4-way valve control

In heating mode, 4-way valve will power on ahead of compressor for 8 seconds, and cut off for 2 minutes later than compressor. 4-way valve will not power off unless the machine to be switched off, mode changed or on the process of defrosting.



(4) Outdoor fan motor control

In heating mode, the outdoor fan motor will power on ahead of compressor 5 seconds, and cut off for 30seconds later than compressor.



(5) Defrosting

Defrosting is controlled by the microprocessor.

When the unit operate 30 minutes accumulated and the compressor operation more than 3 minutes continuously, one of the following conditions is satisfied, unit comes into defrosting:

- When Frost Deg $\geq 23^{\circ}\text{F}$ (-5°C), and OPT $\leq 23^{\circ}\text{F}$ (-5°C), the .2 times defrosting interval time is 45 minutes.
- When 14°F (-10°C) \leq Frost Deg $< 23^{\circ}\text{F}$ (-5°C), and OPT $<$ Frost Deg, the .2 times defrosting interval time is 45 minutes.
- When 8.6°F (-13°C) \leq Frost Deg $< 14^{\circ}\text{F}$ (-10°C), and OPT $<$ Frost Deg, the .2 times defrosting interval time is 45 minutes.
- When 5°F (-15°C) \leq Frost Deg $< 8.6^{\circ}\text{F}$ (-13°C), and OPT $<$ Frost Deg, the .2 times defrosting interval time is 65 minutes.
- When 5°F (-15°C) \leq Frost Deg $< 14^{\circ}\text{F}$ (-10°C), and OPT $<$ Frost Deg, the .2 times defrosting interval time is 75 minutes.
- When Frost Deg $< 5^{\circ}\text{F}$ (-15°C), and OPT $< 5^{\circ}\text{F}$ (-15°C), the .2 times defrosting interval time is 75 minutes.

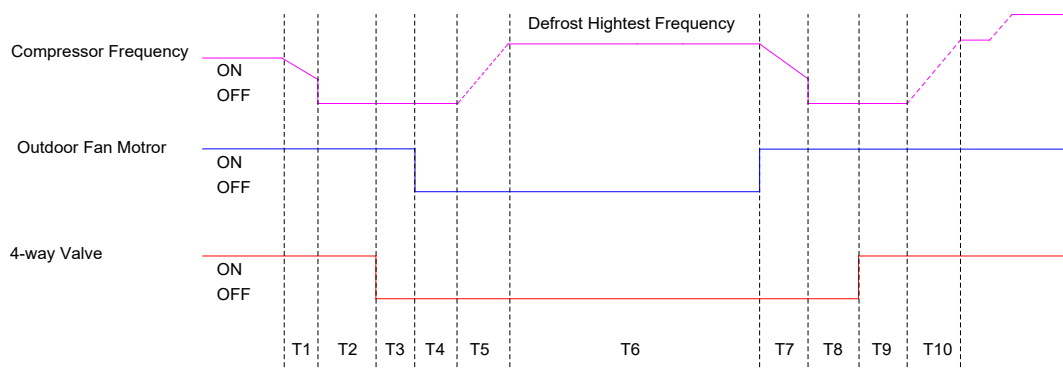
$$\text{Frost Deg} = C \cdot \text{OAT} - \alpha$$

OAT: Outdoor environment temperature.

When OAT $< 32^{\circ}\text{F}$ (0°C), C=0.8, when OAT $\geq 35^{\circ}\text{F}$ (0°C), C=0.6 $\alpha=8$

Before the air conditioner enters defrosting mode, the compressor speed is first reduced to a lower frequency, after which the compressor shuts down.

In defrosting, all protection functions are available.



T	T1	T2	T3	T4	T5	T6	T7	T8	T9	T10
Times	Drop frequency or stop	50s	5s	5s	Rise frequency	2-11Min	Stop Defrost	50s	10s	Rise frequency

In defrosting, LED showing by winking.

No matter what AC come into or out of defrosting, indoor fan motor speed is the same as Cold Air Prevention Control.

While one of the following conditions is satisfied, unit comes out of defrosting and shifts to heating mode:

- Outdoor coil Temperature (OPT) $> 41^{\circ}\text{F}$ (5°C) and keeps 30 seconds.
- Outdoor coil Temperature (OPT) $> 50^{\circ}\text{F}$ (10°C) and keeps 2 seconds.
- Continue 11minutes defrost Operation.

(5) Indoor exchanger overheat protection

When Indoor exchanger Temperature (IPT) is higher than 129°F (54°C), unit comes into indoor exchanger overheat protection. The compressor drops its frequency.

If IPT $\geq 149^{\circ}\text{F}$ (65°C) and keep for 30 seconds, control system shut down compressor, and recover while IPT drop less than 125.6°F (52°C).

4. "SLEEP" mode

When the SLEEP button is pressed, the AC operates as following:

- The indoor fan speed is set at low speed, the power lamp and the sleep lamp is on, the display of temperature will close after 30 seconds.
- When selecting COOLING/DRY operation with SLEEP mode, the set temperature will be raised by 1.8°F (1°C) 1 hour later and by 3.6°F (2°C) 2 hour later, after 3 hours, the set temperature will be

raised by 5.4° F (3°C) and keeps 2 hours. And then the temperature is Set +3.6°F (2°C), after 1 hour, the temperature is set temperature and keep.

- When selecting HEATING operation with SLEEP mode, the set temperature will be dropped by 1.8° F (1°C) 1 hour later and 3.6°F (2°C) 2 hours later, after 3 hours, the set temperature will be dropped by 5.4° F (3°C) and keep 2 hours. And then the temperature is Set -3.6° F (-2°C), after 1 hour, the temperature is set temperature and keeps.

5. **EMERGENCY Operation**

When the EMERGENCY Operation switch is pressed, “Beep” a short sound, COOLING mode is selected, two short sound the HEATING mode selected, and a long sound the unit off of 3s.

During the unit operation in emergency operation, when the unit receive the signal of remote controller, the unit will operate by remote.

When the remote controller missing, failed or the batteries run down, press the EMERGENCY Operation switch on front of the indoor unit for function test.

NOTE: Do not press the EMERGENCY Operation switch during normal operation.

6. **AUTO-RESTART Function (Option)**

While air conditioner is operating in one mode, all of its operation data, such as working mode, preset temperature etc. would be memorized into IC by main PCB. If power supply cut off due to reasons and recover again, the AUTO-RESTART function will set synchronously and the air conditioner would work at the same mode as before.

7. **Auto-restart Pre-setting (optional):**

If Auto-restart function is needed, follow the steps below to activate this function:

- 1) Pulling the air-con's plug out of socket.
- 2) Pressing and holding the Emergency button (ON/OFF) on the indoor, then insert the plug into the socket again.
- 3) Keep pressing the Emergency button for more than 10 seconds until three short beeps heard, the Auto-restart function been activated.
- 4) When the unit in operation, press the timer button 10 times in 8s, the Auto-restart function will be active, if the Auto-restart is active, the Auto-restart off.

8. **Water pump control (cassette and duct type)**

When the unit operates in cool or dry mode, the water pump operates, once the compressor off or change to other mode, the water pump stops after 10 minutes.

Anytime, when the unit check the water full, the water pump operates, the unit stop and display the water full code. When full water protection is eliminated, the pump will maintain for 10 minutes and then turn off

When check the water pump switch open for 8 seconds continuous, enter water full protection, and check the water pump switch on for 180 seconds continuous, the water full protection exits.

9. **Water pump control (cassette and duct type)**

When the unit operates in cool or dry mode, the water pump operates, once the compressor off or change to other mode, the water pump stops after 10 minutes.

Anytime, when the unit check the water full, the water pump operates, the unit stop and display the water full code. When full water protection is eliminated, the pump will maintain for 10 minutes and then turn off.

When check the water pump switch open for 8 seconds continuous, enter water full protection, and check the water pump switch on for 180 seconds continuous, the water full protection exits.

10. **Water pump control (cassette and duct type)**

When the unit operates in Cooling or Dry mode, the water pump will operate. When the

compressor stops or the unit switches to another operating mode, the water pump will continue running for 10 minutes and then stop.

Whenever a full-water condition is detected, the water pump will operate, and the unit will stop and display the water-full error code. After the full-water protection condition is cleared, the water pump will continue operating for 10 minutes before turning off.

If the water-level switch remains open continuously for 8 seconds, the unit will enter full-water protection mode. If the water-level switch remains closed continuously for 180 seconds, the full-water protection mode will be cleared.

11. Protection and Failure Display

- When protection display is available, controller will show error code, digital LED shows error code and setting temperature by turns.
- If there is more than one failure, it will show error codes according to the error list sequence.
- To ensure the signal communication of indoor and outdoor unit, any failure code relates to outdoor unit will remain display for 2 minutes maximum after it's recovered.
- Among all the failure codes, sensor failure can be recovery automatically once it comes normal.

4.3.2. Protection Function

1. Indoor Unit Operating Mode Conflict Protection

When the set operating modes of different indoor units are not the same, the system will operate as follows:

a. The system operating mode is determined by the first indoor unit that is turned on, except when that unit is set to Fan mode. Cooling (or Dry) mode is incompatible with Heating mode.

b. If the first unit turned on is in Fan mode, and the second unit is turned on in Cooling or Heating mode, the system will operate in Cooling or Heating mode accordingly.

2. Safety Protection Time Delay

a. 3-minute compressor delay — The compressor remains stopped for 3 minutes before restarting to balance the pressure in the refrigeration cycle and protect the compressor.

b. 150-second 4-way valve delay — The 4-way valve is delayed by 150 seconds after the compressor stops to prevent abnormal refrigerant gas noise when heating operation is turned off or when switching to another operating mode.

3. Discharge temperature protection

A temperature sensor is installed on the discharge pipe. When the discharge pipe temperature exceeds 239° F (115°C), the system control will shut down the compressor, and the display board will display an error code.

4. Lower voltage protection

When AC voltage is below 160 V or DC voltage is below 170 V, the unit will shut down for protection and will recover when AC voltage exceeds 170 V and DC voltage exceeds 190 V.

5. Over voltage protection

When AC voltage is higher than 275 V or DC voltage is higher than 400 V, the unit will shut down and will recover when AC voltage falls below 255 V and DC voltage falls below 390 V.

6. Over current protection

If the outdoor unit current is overloaded, the controller will decrease the operating frequency or immediately shut down the unit and display an error code.

7. Condenser temperature protection

When the condenser temperature reaches $\geq 149^{\circ}$ F (65°C) for 10 seconds, the air conditioner will shut down and show an error code. It will recover when the condenser temperature falls below 125° F (52°C) and the compressor has been stopped for 3 minutes.

8. IPM module protection

The IPM module incorporates high-temperature and overcurrent protection. When a protection signal is received from the IPM module, the outdoor unit will shut down, and the LED on the outdoor PCB will display the corresponding error code.

9. Evaporator freeze protection.

When the evaporator temperature is below 35.6°F (2°C), the controller will decrease the compressor operating frequency.

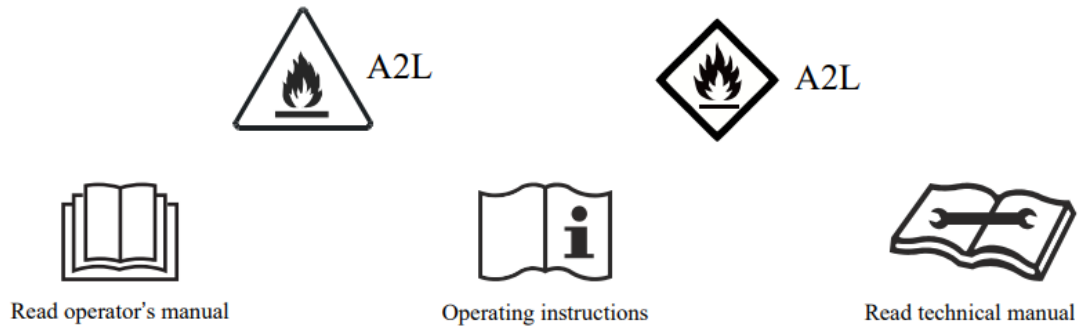
When the evaporator temperature falls below 32°F (0°C) and remains below this temperature for 1 minute, the unit's expansion valve will stop.

When all operating units enter freeze protection mode, the compressor will stop and will restart after the evaporator temperature has recovered and the 3-minute protection delay has elapsed.

5. Installation Manual

5.1. Installation For Service

1. Check the information in this manual to determine the space requirements for proper installation of the appliance, including the minimum clearances from adjacent structures.
2. The appliance shall be installed, operated, and stored in a room with a floor area greater than 43 ft² (4 m²).
3. The installation of pipework shall be kept to a minimum.
4. The pipework shall be protected from physical damage and shall not be installed in an unventilated space if the space is smaller than 43 ft² (4 m²).
5. Compliance with national gas regulations shall be observed.
6. Mechanical connections shall remain accessible for maintenance purposes.
7. Follow the instructions provided in this manual for handling, installing, cleaning, maintaining, and disposing of the refrigerant.
8. Ensure that ventilation openings remain unobstructed.
9. Notice: Servicing shall be performed only as recommended by the manufacturer.
10. Warning: The appliance shall be stored in a well-ventilated area where the room size complies with the minimum room area specified for operation.
11. Warning: The appliance shall be stored in a room without continuously operating open flames (for example, an operating gas appliance) or other ignition sources (for example, an operating electric heater).
12. The appliance shall be stored in a manner that prevents mechanical damage.
13. Any person who performs work on a refrigerant circuit shall hold a valid and current certificate issued by an industry-accredited assessment authority that recognizes their competence in handling refrigerants in accordance with applicable industry standards. Service operations shall be carried out only in accordance with the equipment manufacturer's recommendations. Maintenance and repair work requiring the assistance of other qualified personnel shall be performed under the supervision of a person competent in the use of flammable refrigerants.
14. Any work procedure affecting safety-related systems shall be carried out only by qualified and competent personnel.
15. Warning:
 - Do not use any means to accelerate the defrosting process or attempt to remove frost yourself. Follow the manufacturer's recommended instructions.
 - The appliance shall be stored in a room without continuously operating ignition sources (for example, open flames, an operating gas appliance, or an operating electric heater).
 - Do not pierce or burn the appliance.
 - Be aware that refrigerants may be odorless.



16. Information on servicing:

1) Checks to the area

Prior to beginning work on systems containing flammable refrigerants, safety checks are necessary to ensure that the risk of ignition is minimized. For repair to the refrigerating system, the following precautions shall be complied with prior to conducting work on the system.

2) Work procedure

Work shall be undertaken under a controlled procedure so as to minimize the risk of a flammable gas or vapor being present while the work is being performed.

3) General work area

All maintenance staff and others working in the local area shall be instructed on the nature of work being carried out. Work in confined spaces shall be avoided. The area around the workspace shall be sectioned off. Ensure that the conditions within the area have been made safe by control of flammable material

4) Checking for presence of refrigerant

The area shall be checked with an appropriate refrigerant detector prior to and during work, to ensure the technician is aware of potentially flammable atmospheres. Ensure that the leak detection equipment being used is suitable for use with flammable refrigerants, i.e. non-sparking, adequately sealed or intrinsically safe.

5) Presence of fire extinguisher

If any hot work is to be conducted on the refrigeration equipment or any associated parts, appropriate fire extinguishing equipment shall be available to hand. Have a dry powder or CO₂ fire extinguisher adjacent to the charging area.

6) No ignition sources

No person carrying out work in relation to a refrigeration system which involves exposing any pipe work shall use any sources of ignition in such a manner that it may lead to the risk of fire or explosion. All possible ignition sources, including cigarette smoking, should be kept sufficiently far away from the site of installation, repairing, removing and disposal, during which refrigerant can possibly be released to the surrounding space. Prior to work taking place, the area around the equipment is to be surveyed to make sure that there are no flammable hazards or ignition risks. "No Smoking" signs shall be displayed.

7) Ventilated area

Ensure that the area is in the open or that it is adequately ventilated before breaking into the system or conducting any work that will produce heat. A degree of ventilation shall continue during the period that the work is carried out.

The ventilation should safely disperse any released refrigerant and preferably expel it externally into the atmosphere.

8) Checks to the refrigeration equipment

Where electrical components are being changed, they shall be fit for the purpose and to the correct specification. At all times the manufacturer's maintenance and service guidelines shall be followed. If in doubt consult the manufacturer's technical department for assistance.

The following checks shall be applied to installations using flammable refrigerants:

- The charge size is in accordance with the room size within which the refrigerant containing parts are installed;
- The ventilation machinery and outlets are operating adequately and are not obstructed;
- If an indirect refrigerating circuit is being used, the secondary circuit shall be checked for the presence of refrigerant;
- Marking to the equipment continues to be visible and legible. Markings and signs that are illegible shall be corrected;
- Refrigeration pipe or components are installed in a position where they are unlikely to be exposed to any substance which may corrode refrigerant containing components, unless the components are constructed of materials which are inherently resistant to being corroded or are suitably protected against being so corroded.

9) Checks to electrical devices

Repair and maintenance to electrical components shall include initial safety checks and component inspection procedures. If a fault exists that could compromise safety, then no electrical supply shall be connected to the circuit until it is satisfactorily dealt with. If the fault cannot be corrected immediately but it is necessary to continue operation, an adequate temporary solution shall be used. This shall be reported to the owner of the equipment so all parties are advised. Initial safety checks shall include:

- That capacitors are discharged: this shall be done in a safe manner to avoid possibility of sparking;
- That no live electrical components and wiring are exposed while charging, recovering or purging the system;
- That there is continuity of earth bonding.

17. Repairs to sealed components

1) During repairs to sealed components, all electrical supplies shall be disconnected from the equipment being worked upon prior to any removal of sealed covers, etc. If it is absolutely necessary to have an electrical supply to equipment during servicing, then a permanently operating form of leak detection shall be located at the most critical point to warn of a potentially hazardous situation.

2) Particular attention shall be paid to the following to ensure that by working on electrical components, the casing is not altered in such a way that the level of protection is affected. This shall include damage to cables, excessive number of connections, terminals not made to original specification, damage to seals, incorrect fitting of glands, etc. Ensure that apparatus is mounted securely. Ensure that seals or sealing materials have not degraded such that they no longer serve the purpose of preventing the ingress of flammable atmospheres. Replacement parts shall be in accordance with the manufacturer's specifications.

NOTE: The use of silicon sealant may inhibit the effectiveness of some types of leak detection equipment. Intrinsically safe components do not have to be isolated prior to working on them.

18. Repair to intrinsically safe components

Do not apply any permanent inductive or capacitance loads to the circuit without ensuring that this will not exceed the permissible voltage and current permitted for the equipment in use. Intrinsically safe components are the only types that can be worked on while live in the presence of a flammable atmosphere. The test apparatus shall be at the correct rating. Replace components only with parts specified by the manufacturer. Other parts may result in the ignition of refrigerant in the atmosphere from a leak.

19. Cabling

Check that cabling will not be subject to wear, corrosion, excessive pressure, vibration, sharp edges or any other adverse environmental effects. The check shall also take into account the effects of aging or continual vibration from sources such as compressors or fans.

20. Detection of flammable refrigerants

Under no circumstances shall potentially sources of ignition be used in the searching for or detection of refrigerant leaks. A halide torch (or any other detector using a naked flame) shall not be used.

21. Leak detection methods

The following leak detection methods are deemed acceptable for systems containing flammable refrigerants.

Electronic leak detectors shall be used to detect flammable refrigerants, but the sensitivity may not be adequate, or may need re-calibration. (Detection equipment shall be calibrated in a refrigerant-free area.) Ensure that the detector is not a potential source of ignition and is suitable for the refrigerant used. Leak detection equipment shall be set at a percentage of the LFL of the refrigerant and shall be calibrated to the refrigerant employed and the appropriate percentage of gas (25 % maximum) is confirmed. Leak detection fluids are suitable for use with most refrigerants but the use of detergents containing chlorine shall be avoided as the chlorine may react with the refrigerant and corrode the copper pipe-work. If a leak is suspected, all naked flames shall be removed/ extinguished. If a leakage of refrigerant is found which requires brazing, all of the refrigerant shall be recovered from the system, or isolated (by means of shut off valves) in a part of the system remote from the leak. Oxygen free nitrogen (OFN) shall then be purged through the system both before and during the brazing process.

22. Removal and evacuation

When breaking into the refrigerant circuit to make repairs or for any other purpose conventional procedures shall be used. However, it is important that best practice is followed since inflammability is a consideration. The following procedure shall be adhered to:

- Remove refrigerant;
- Purge the circuit with inert gas;
- Evacuate;
- Purge again with inert gas;
- Open the circuit by cutting or brazing.

The refrigerant charge shall be recovered into the correct recovery cylinders. The system shall be flushed with OFN to render the unit safe. This process may need to be repeated several times. Compressed air or oxygen shall not be used for this task. Flushing shall be achieved by breaking the vacuum in the system with OFN and continuing to fill until the working pressure is achieved, then venting to atmosphere, and finally pulling down to a vacuum. This process shall be repeated until no refrigerant is within the system. When the final OFN charge is used, the system shall be vented down to atmospheric pressure to enable work to take place. This operation

is absolutely vital if brazing operations on the pipe-work are to take place. Ensure that the outlet for the vacuum pump is not close to any ignition sources and there is ventilation available.

23. Decommissioning

Before carrying out this procedure, it is essential that the technician is completely familiar with the equipment and all its detail. It is recommended good practice that all refrigerants are recovered safely. Prior to the task being carried out, an oil and refrigerant sample shall be taken in case analysis is required prior to re-use of reclaimed refrigerant. It is essential that electrical power is available before the task is commenced.

a) Become familiar with the equipment and its operation.

b) Isolate system electrically.

c) Before attempting the procedure, ensure that:

- . mechanical handling equipment is available, if required, for handling refrigerant cylinders;
- . all personal protective equipment is available and being used correctly;
- . the recovery process is supervised at all times by a competent person;
- . recovery equipment and cylinders conform to the appropriate standards.

d) Pump down refrigerant system, if possible.

e) If a vacuum is not possible, make a manifold so that refrigerant can be removed from various parts of the system.

F) Make sure that cylinder is situated on the scales before recovery takes place.

g) Start the recovery machine and operate in accordance with manufacturer's instructions.

h) Do not overfill cylinders. (No more than 80% volume liquid charge).

i) Do not exceed the maximum working pressure of the cylinder, even temporarily.

J) When the cylinders have been filled correctly and the process completed, make sure that the cylinders and the equipment are removed from site promptly and all isolation valves on the equipment are closed off.

K) Recovered refrigerant shall not be charged into another refrigeration system unless it has been cleaned and checked.

24. Labeling

Equipment shall be labeled stating that it has been de-commissioned and emptied of refrigerant. The label shall be dated and signed. Ensure that there are labels on the equipment stating the equipment contains flammable refrigerant.

25. Recovery

When removing refrigerant from a system, either for servicing or decommissioning, it is recommended good practice that all refrigerants are removed safely. When transferring refrigerant into cylinders, ensure that only appropriate refrigerant recovery cylinders are employed. Ensure that the correct number of cylinders for holding the total system charge are available. All cylinders to be used are designated for the recovered refrigerant and labeled for that refrigerant (i.e. Special cylinders for the recovery of refrigerant). Cylinders shall be complete with pressure-relief valve and associated shut-off valves in good working order. Empty recovery cylinders are evacuated and, if possible, cooled before recovery occurs. The recovery equipment shall be in good working order with a set of instructions concerning the equipment that is at hand and shall be suitable for the recovery of all appropriate refrigerants including, when applicable, flammable refrigerants. In addition, a set of calibrated

weighing scales shall be available and in good working order. Hoses shall be complete with leak-free disconnect couplings and in good condition. Before using the recovery machine, check that it is in satisfactory working order, has been properly maintained and that any associated electrical components are sealed to prevent ignition in the event of a refrigerant release. Consult manufacturer if in doubt. The recovered refrigerant shall be returned to the refrigerant supplier in the correct recovery cylinder and the relevant waste transfer note arranged. Do not mix refrigerants in recovery units and especially not in cylinders. If compressors or compressor oils are to be removed, ensure that they have been evacuated to unacceptable level to make certain that flammable refrigerant does not remain within the lubricant. The evacuation process shall be carried out prior to returning the compressor to the suppliers. Only electric heating to the compressor body shall be employed to accelerate this process. When oil is drained from a system, it shall be carried out safely.

5.2. Installation precautions

5.2.1. Important Considerations

1. The air conditioner must be installed by qualified professionals. This installation manual is intended for professional installation personnel only. Installation procedures shall comply with our after-sales service regulations.
2. When charging flammable refrigerant, improper operation may result in serious injury to personnel or damage to property.
3. A leak test shall be performed after installation is completed.
4. A safety inspection must be carried out before maintaining or repairing an air conditioner that uses flammable refrigerant, to ensure that the fire risk is reduced to a minimum.
5. The equipment shall be operated under controlled procedures to ensure that any risk from flammable gas or vapor during operation is minimized.
6. Requirements for the total weight of refrigerant charge and the room area for air conditioner installation are shown in Tables GG.1 and GG.2

Table GG.1 - Maximum charge (kg)

Category	LFL (kg/m ³)	h ₀ (m)	Floor area (m ²)						
			4	7	10	15	20	30	50
R454B	0.296	1.8	1.07	1.86	2.66	3.81	4.39	5.38	6.95
		2.5	1.48	2.59	3.70	5.28	6.10	7.47	9.65
		2.8	3.06	4.04	4.83	5.92	6.83	8.37	10.81

Table GG.2 -Minimum room area(m²)

Category	LFL (kg/m ³)	h ₀ (m)	Charge amount (M) (kg)						
			Minimum room area (m ²)						
			0.71kg	0.8kg	1kg	1.29kg	1.56kg	1.8kg	2kg
R454B	0.296	1.8	2.67	3.00	3.75	4.84	5.86	6.76	7.51
		2.5	1.92	2.16	2.70	3.49	4.22	4.86	5.41
		2.8	1.71	1.93	2.41	3.11	3.76	4.34	4.83

Installation Safety Principles

1. Site Safety



Open Flames Prohibited



Ventilation Necessary



Mind Static Electricity



Must wear protective clothing and anti-static gloves



Don't use mobile phone

5.2.2. Installation Safety

1)Refrigerant Leak Detector

2)Appropriate Installation Location




















The left picture is the schematic diagram of a refrigerant leak detector.

Please note that:

1. The installation site should be well-ventilated.
2. The sites for installing and maintaining an air conditioner using Refrigerant R454B should be free from open fire or welding, smoking, drying oven or any other heat source higher than 548 which easily produces open fire.
3. When installing an air conditioner, it is necessary to take appropriate anti-static measures such as wear anti-static clothing and/or gloves.
4. It is necessary to choose the site convenient for installation or maintenance wherein the air inlets and outlets of the indoor and outdoor units should be not surrounded by obstacles or close to any heat source or combustible and/or explosive environment.
5. If the indoor unit suffers refrigerant leak during the installation, it is necessary to immediately turn off the valve of the outdoor unit and all the personnel should go out till the refrigerant leaks completely for 15 minutes. If the product is damaged, it is a must to carry such damaged product back to the maintenance station and it is prohibited to weld the refrigerant pipe or conduct other operations on the user's site.
6. It is necessary to choose the place where the inlet and outlet air of the indoor unit is even.
7. It is necessary to avoid the places where there are other electrical products, power switch plugs and sockets, kitchen cabinet, bed, sofa and other valuables right under the lines on two sides of the indoor unit.

Suggested Tools

Tool	Picture	Tool	Picture	Tool	Picture
Standard Wrench		Pipe Cutter		Vacuum Pump	
Adjustable/ Crescent Wrench		Screw drivers (Phillips & Flat blade)		Safety Glasses	
Torque Wrench		Manifold and Gauges		Work Gloves	
Hex Keys or Allen Wrenches		Level		Refrigerant Scale	
Drill & Drill Bits		Flaring tool		Micron Gauge	
Hole Saw		Clamp on Amp Meter			

5.2.3. Safety Rules and Recommendations for the Installer

1. Read this guide before installing and using the appliance.
2. During installation of the indoor and outdoor units, children shall be prohibited from accessing the work area, as unforeseen accidents may occur.
3. Make sure that the base of the outdoor unit is firmly fixed.
4. Ensure that no air enters the refrigerant system and check for refrigerant leaks when moving the air conditioner.
5. Perform a test cycle after installation of the air conditioner and record the operating data.
6. Protect the indoor unit with a fuse of suitable capacity for the maximum input current, or with another overload protection device.
7. Ensure that the mains voltage corresponds to that indicated on the rating plate. Keep the switch or power plug clean. Insert the power plug correctly and firmly into the socket to avoid the risk of electric shock or fire due to poor contact.
8. Check that the socket is suitable for the plug; otherwise, have the socket replaced.
9. Check that the socket is suitable for the plug; otherwise, replace the socket.
10. The air conditioner must be installed by qualified or professional personnel.
11. The appliance shall not be installed within 20 in (50 cm) of flammable substances (e.g., alcohol) or pressurized containers (e.g., spray cans).
12. If the appliance is used in areas without ventilation, measures shall be taken to prevent refrigerant gas leaks from accumulating in the environment and creating a fire hazard.

13. The packaging materials are recyclable and should be disposed of in separate waste bins. At the end of its service life, the air conditioner shall be taken to a designated waste collection center for disposal.
14. Use the air conditioner only as instructed in this booklet. These instructions do not cover every possible condition or situation. As with any electrical household appliance, common sense and caution are always required for installation, operation, and maintenance.
15. The appliance shall be installed in accordance with applicable national regulations.
16. Before accessing the terminals, all power circuits shall be disconnected from the power supply.
17. The appliance shall be installed in accordance with national wiring regulations.
18. This appliance may be used by children aged 8 years and above, and by persons with reduced physical, sensory, or mental capabilities, or lack of experience and knowledge, provided they have been given supervision or instruction concerning safe use of the appliance and understand the hazards involved. Children shall not play with the appliance. Cleaning and user maintenance shall not be performed by children without supervision.
19. Do not attempt to install the air conditioner on your own; always contact qualified technical personnel.
20. Cleaning and maintenance must be carried out by qualified technical personnel. In any case, disconnect the appliance from the mains power supply before carrying out any cleaning or maintenance.
21. Ensure that the mains voltage corresponds to that indicated on the rating plate. Keep the switch or power plug clean. Insert the power plug correctly and firmly into the socket to avoid the risk of electric shock or fire due to poor contact.
22. Do not unplug the appliance while it is in operation, as this may generate a spark and cause a fire.
23. This appliance is intended for air conditioning domestic environments and shall not be used for any other purpose, such as drying clothes or cooling food.
24. Always operate the appliance with the air filter installed. Operating the air conditioner without the air filter may cause excessive dust or debris accumulation on internal components, which may lead to equipment failure.
25. The user is responsible for ensuring that the appliance is installed by a qualified technician, who must verify that earthing/grounding complies with current regulations and install a thermomagnetic circuit breaker.
26. The batteries in the remote controller must be recycled or disposed of properly. Used batteries shall be disposed of as sorted municipal waste at designated collection points.
27. Do not remain directly exposed to the flow of cold air for extended periods. Prolonged exposure to cold air may be harmful to health. Special care should be taken in rooms where children, elderly, or sick persons are present.
28. If the appliance emits smoke or a burning smell, immediately disconnect the power supply and contact the service center. Prolonged use of the device under such conditions could cause a fire or electric shock.
29. Repairs shall be carried out only by an authorized service center of the manufacturer. Improper repairs may expose the user to the risk of electric shock.
30. Switch off the automatic circuit breaker if the device is not expected to be used for a long period. The airflow direction must be properly adjusted.
31. The flaps must be directed downward in heating mode and upward in cooling mode.
32. Ensure that the appliance is disconnected from the power supply when it will remain out of operation for an

extended period and before any cleaning or maintenance is carried out.

33. Selecting the appropriate temperature can help prevent damage to the appliance.

5.2.4. Safety Rules and Prohibitions

1. Do not bend, tug, or compress the power cord, as this could damage it. Electric shock or fire may result from a damaged power cord. A damaged power cord must be replaced only by qualified technical personnel.
2. Do not use extensions or gang modules.
3. Do not touch the appliance when barefoot or when any part of your body is wet or damp.
4. Do not obstruct the air inlet or outlet of the indoor or outdoor unit. Obstructing these openings reduces the operating efficiency of the air conditioner and may result in malfunctions or damage.
5. Do not alter the characteristics of the appliance in any way.
6. Do not install the appliance in environments where the air may contain gas, oil, or sulfur, or near heat sources.
7. This appliance is not intended for use by persons (including children) with reduced physical, sensory, or mental capabilities, or lack of experience and knowledge, unless they have been given supervision or instruction concerning the use of the appliance by a person responsible for their safety.
8. Do not climb on or place any heavy or hot objects on top of the appliance.
9. Do not leave windows or doors open for extended periods when the air conditioner is operating.
10. Do not direct the airflow at plants or animals.
11. Prolonged direct exposure to the air conditioner's cold airflow may adversely affect plants and animals.
12. Do not allow the air conditioner to come into contact with water, as this may damage the electrical insulation and cause electric shock.
13. Do not climb onto or place any objects on the outdoor unit.
14. Never insert a stick or similar object into the appliance. It could cause injury.
15. Children should be supervised to ensure that they do not play with the appliance. If the supply cord is damaged, it must be replaced by the manufacturer, its service agent or similarly qualified persons in order to avoid a hazard.

5.3. Installation Preparation

5.3.1. Notice on Installation

Please read these safety precautions carefully before installation and maintenance. The following information is essential for the safe installation and maintenance of this product. Please follow the instructions below.

- Installation and maintenance must be carried out in accordance with these instructions.
- Comply with all national and local electrical codes.
- Pay close attention to all warnings and cautions in this manual.
- All installation and maintenance work shall be performed by distributor or qualified person.
- All electrical work must be performed by a licensed technician in accordance with local regulations and the instructions provided in this manual.
- Use caution during installation and maintenance. Improper operation may result in electric shock, injury, or other accidents.

Warnings

Electrical safety Precautions.

- 1) Disconnect the power supply to the air conditioner before inspection or maintenance.
- 2) The air conditioner must be connected to a dedicated electrical circuit and must not share a circuit with other appliances.
- 3) Install the air conditioner in a suitable location and ensure that the power plug remains accessible.
- 4) Ensure that all wiring terminals are securely connected during installation and maintenance.
- 5) The unit must be properly grounded. The grounding wire must not be used for any other purpose.
- 6) Protective accessories such as protective covers, cable loops, and wire clips must be installed where required.
- 7) The live, neutral, and grounding wires of the power supply must be connected to the corresponding live, neutral, and grounding terminals of the air conditioner.
- 8) Do not allow the power cord or connection wires to be compressed, pinched, or damaged by hard objects.
- 9) If the power cord or any connection wire is damaged, it must be replaced by qualified personnel.
- 10) If the power cord or connection wire is not long enough, obtain a replacement of the correct length from the manufacturer or distributor. Do not extend the wire yourself.
- 11) For air conditioners without a plug, an air switch must be installed in the circuit. The air switch must be all-pole disconnection type, and the contact separation distance must be greater than 3 mm.
- 12) Ensure that all wires and pipes are properly connected and that all valves are fully opened before energizing the unit.
- 13) Check the unit body for any electrical leakage. If leakage is detected, it must be eliminated before operation.
- 14) If the fuse is blown, replace it with one of the same specifications. Do not replace it with copper wire or any conductive material. If the unit is installed in a humid environment, a circuit breaker must be installed..

Selection of Installation Location

Installation Safety Precautions

- 1) Select the installation location in accordance with the requirements in this manual (see the installation section for details).
- 2) Handle unit transportation with care. If the unit weighs more than 20 kg, it must not be carried by a single person.
- 3) When installing the indoor and outdoor units, use appropriate fixing bolts and ensure that the mounting structure is secure and stable.
- 4) Wear a safety harness when working at a height of more than 2 m.
- 5) Use only the supplied or specified components during installation.
- 6) Ensure that no foreign objects remain inside the unit after installation is completed.

Improper installation may result in fire, explosion, electric shock, or personal injury.

5.3.2.

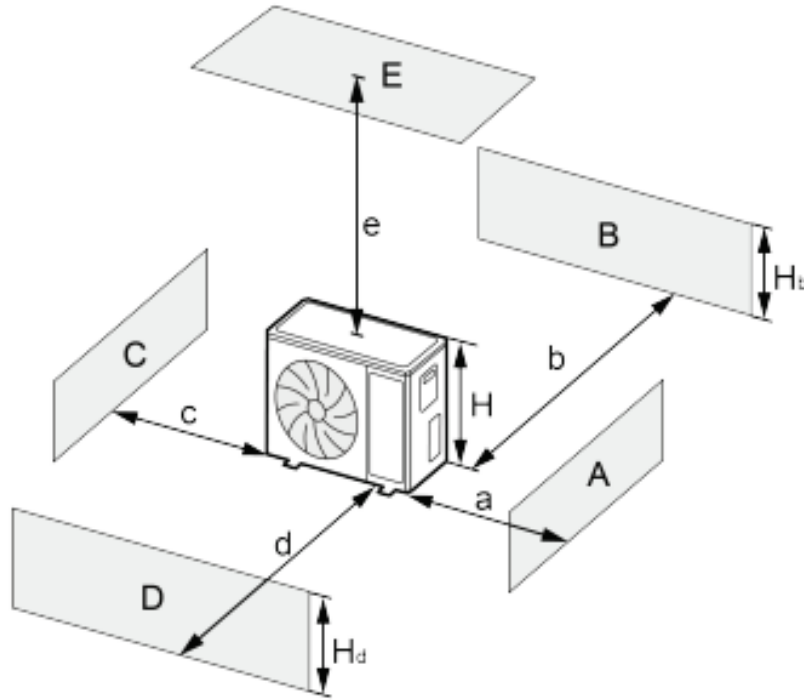
 WARNING!
(1) Install the indoor unit in a location capable of supporting at least five times the weight of the unit, and where noise or vibration will not be amplified.
(2) If the installation surface is not sufficiently strong, the indoor unit may fall and cause injury.
(3) Installing the unit using only the panel frame may cause it to become loose. Exercise caution during installation

5.3.3. Installation Space and Location Diagram of the Unit

5.3.3.1. Outdoor Unit Installation Space and Location Diagram

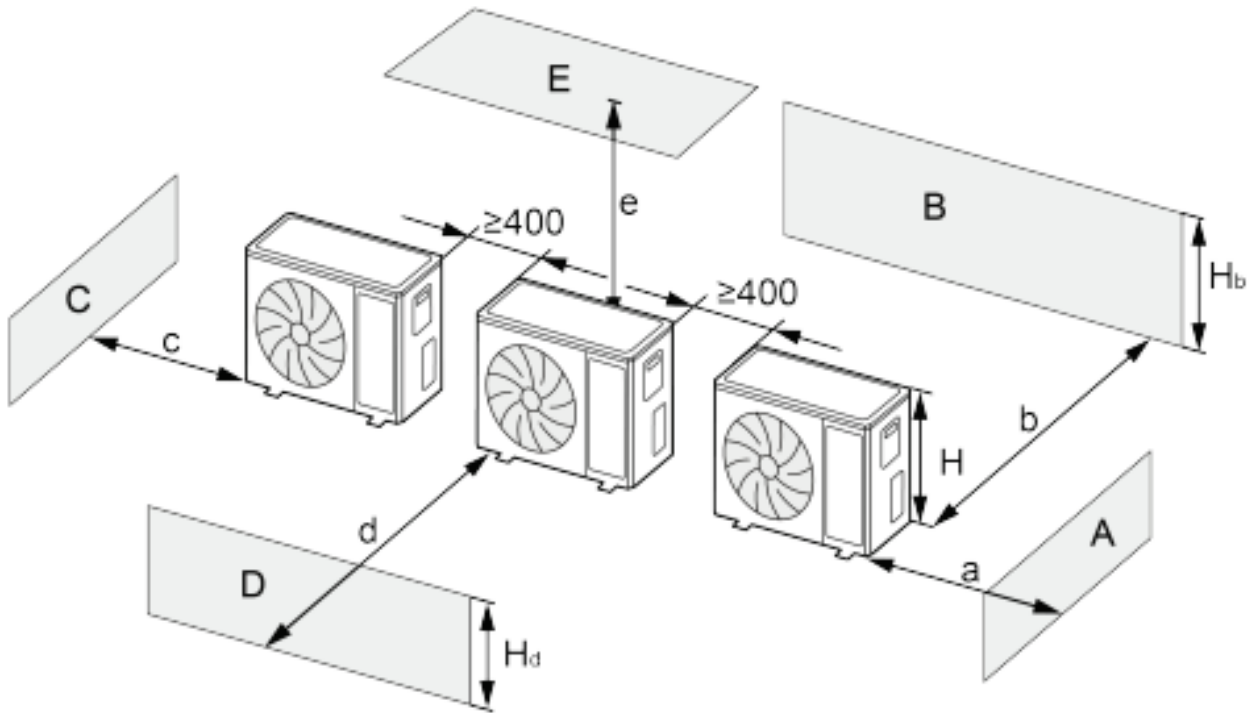
Notice: For optimal performance of the outdoor unit, ensure that the installation space complies with the following dimensional requirements.

When one outdoor unit is to be installed.



A~E	H _b	H _d	H	(mm)				
				a	b	C	d	e
B	—	—	—	—	≥100	—	—	—
A、 B、 C	—	—	—	≥300	≥100	≥100	—	—
B、 E	—	—	—	—	≥100	—	—	≥1000
A、 B、 C、 E	—	—	—	≥300	≥150	≥150	—	≥1000
D	—	—	—	—	—	—	≥1000	—
D、 E	—	—	—	—	—	—	≥1000	≥1000
B、 D	H _b <H _a	H _d >H	—	—	≥100	—	≥1000	—
	H _b >H _d	H _a <H	—	—	≥100	—	≥1000	—
B、 D、 E	H _b <H _a	H _b ≤1/2H	—	—	≥250	—	≥2000	≥1000
	—	1/2H<H _b ≤H	—	—	≥250	—	≥2000	≥1000
	—	H _b >H	Prohibited					
	H _b >H _a	H _a ≤1/2H	—	—	≥100	—	≥2000	≥1000
	—	1/2H<H _d ≤H	—	—	≥200	—	≥2000	≥1000
—	H _d >H	Prohibited						

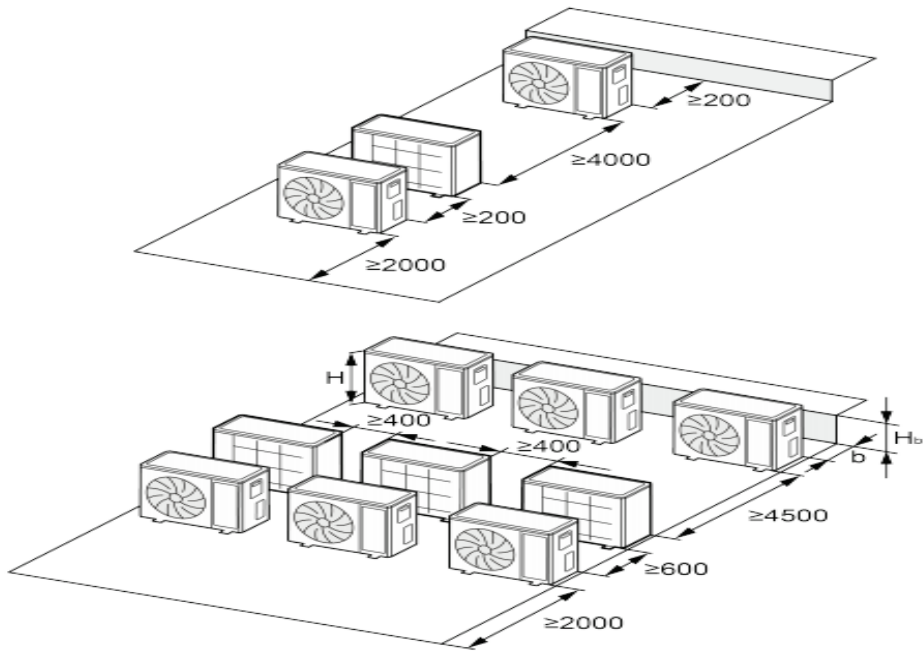
(1) When two or more outdoor units are to be installed side by side



A~E	H _b H _d H		(mm)				
			a	b	C	d	e
A、B、C	—		≥ 300	≥ 300	≥ 1000	—	—
A、B、C、E	—		≥ 300	≥ 300	≥ 1000	—	≥ 1000
D	—		—	—	—	≥ 2000	—
D、E	—		—	—	—	≥ 2000	≥ 1000
B、D	H _b <H _a	H _d >H	—	≥ 300	—	≥ 2000	—
	H _b >H _a	H _d ≤1/2H	—	≥ 250	—	≥ 2000	—
		1/2H<H _d ≤H	—	≥ 300	—	≥ 2500	—
B、D、E	H _b <H _a	H _b ≤1/2H	—	≥ 300	—	≥ 2000	≥ 1000
		1/2H<H _b ≤H	—	≥ 300	—	≥ 2500	≥ 1000
		H _b >H	Prohibited				
	H _b >H _a	H _d ≤1/2H	—	≥ 250	—	≥ 2500	≥ 1000
		1/2H<H _d ≤H	—	≥ 300	—	≥ 2500	≥ 1000
		H _d >H	Prohibited				

(2) When outdoor units are installed in rows.

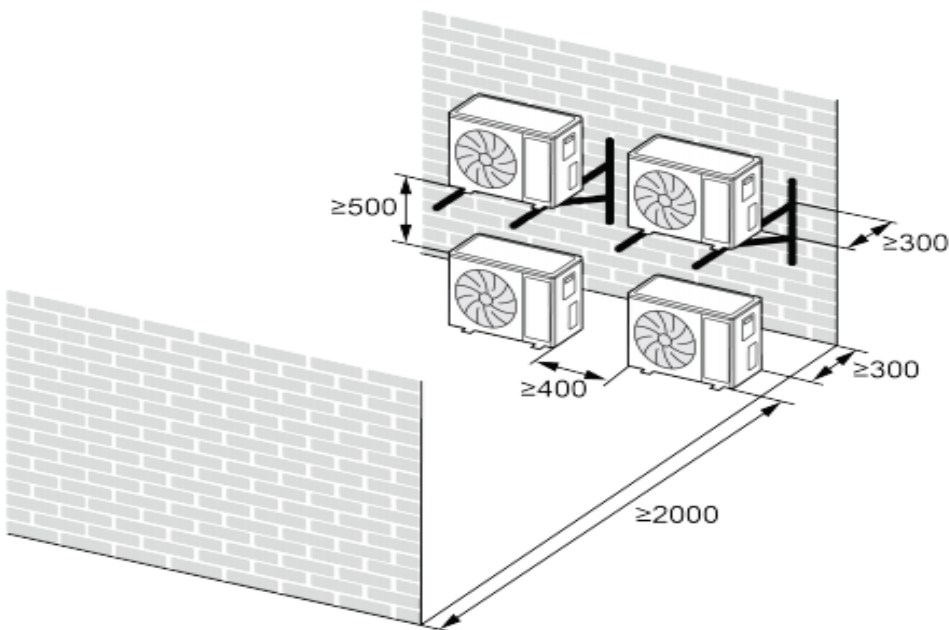
Unit: mm



H_b H	(mm)
$H_b \leq 1/2H$	$b \geq 250$
$1/2H < H_b \leq H$	$b \geq 300$
$H_b > H$	Prohibited

(3) When outdoor units are installed one above another.

Unit: mm

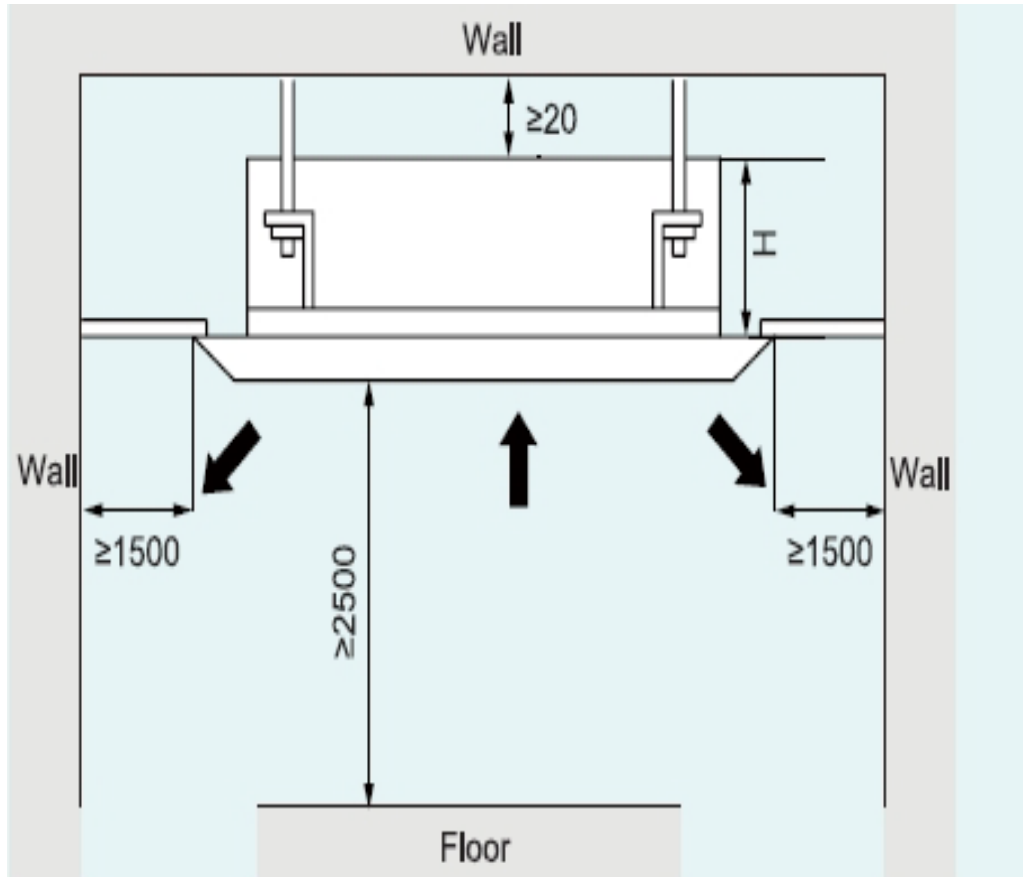


5.3.3.2. Outdoor Unit Installation Space and Location Diagram

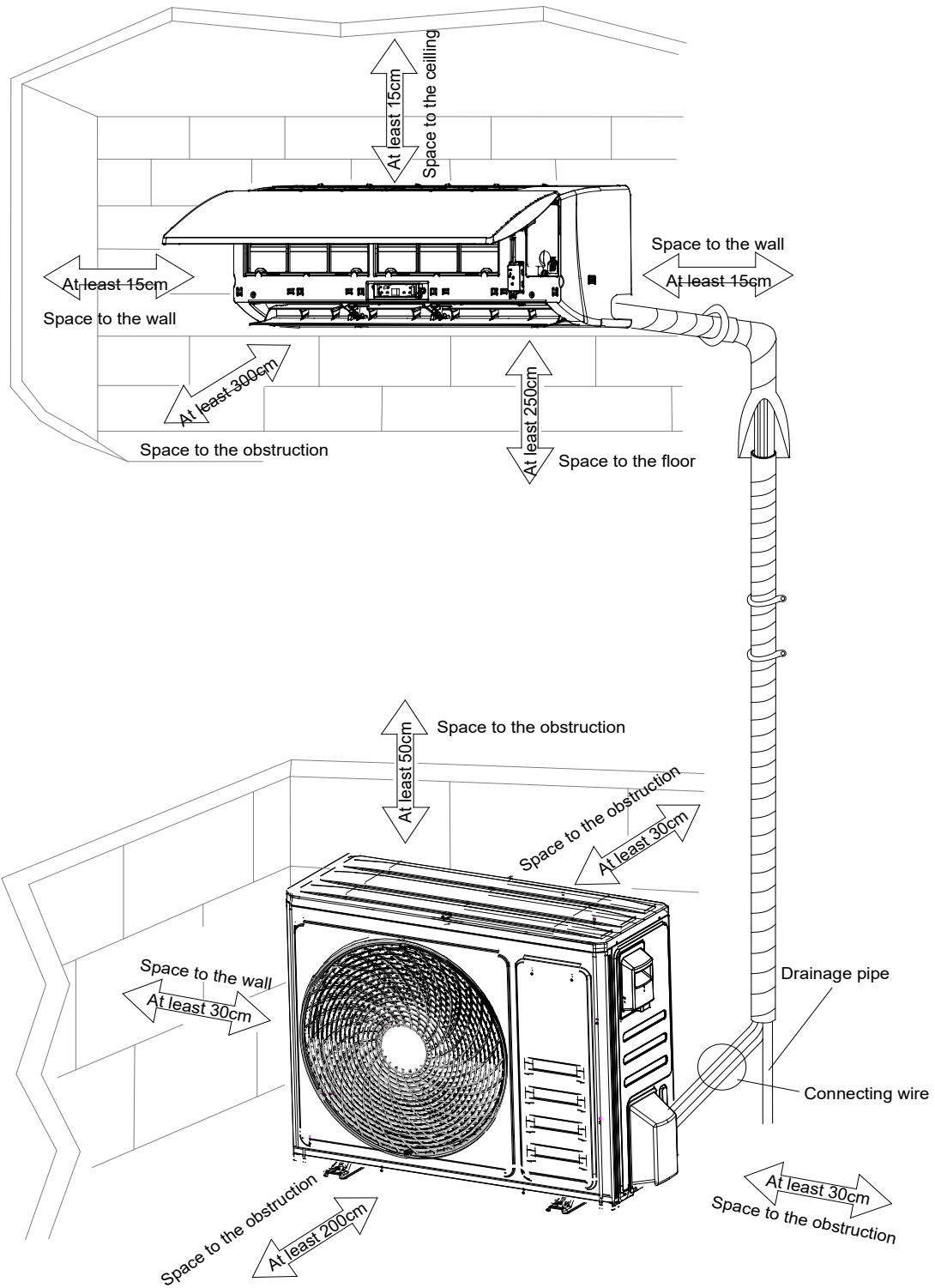
Indoor Unit Installation Space and Location Diagram

Notice: For optimal performance of the indoor unit, ensure that the installation space complies with the following dimensional requirements.

1. Cassette



2. Mini Split



5.4. Unit Installation

5.4.1. Indoor Unit Installation

5.4.1.1 Preparations for Installing the Indoor Unit

1. Cassette

■ HEIGHT BETWEEN CEILING AND FLOOR

The installation height between ceiling and floor must be greater 2.5m.

■ CEILING HOLE AND THE HOOK INSTALLATION

Preparation Work on the Ceiling

- The installation method should be adjusted according to the specific construction structure. Please consult a qualified professional for detailed guidance.
- After opening the hole, ensure the ceiling remains level and structurally sound to prevent vibration. Cut and remove any beams within the opening. Reinforce any cut beams, as well as the beams supporting the ceiling.

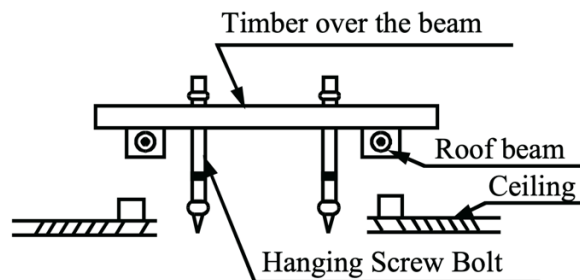
Installation of the hanging screw bolt

M10 threaded bolts must be used. The center-to-center distance between the bolts shall be determined according to the unit size.

Use the following method to install:

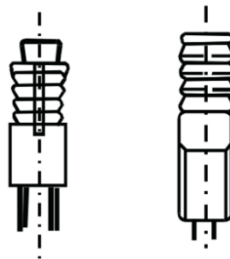
Wooden construction

Place the square timber on the roof beam, then install the hanging bolts.



For finished concrete bricks

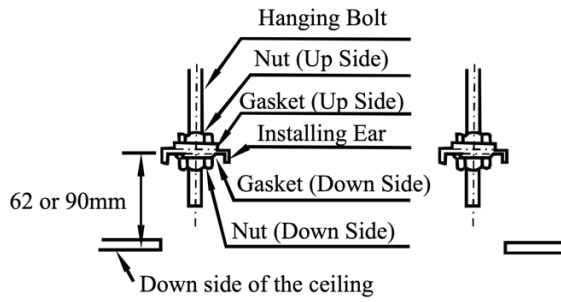
Install the hanging hook using expansion bolts embedded 45–50 mm into the concrete to prevent loosening.



Overhanging the indoor unit

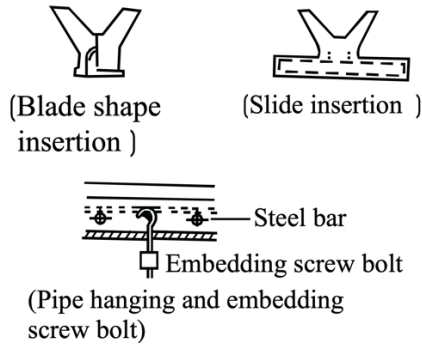
Cassette: Adjust the gasket (downside) to 90mm over the ceiling.

Compact cassette: Adjust the gasket (downside) to 62mm over the ceiling.



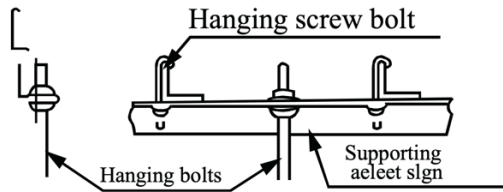
New Concrete Bricks

Inlaying or embedding the screw bolts.

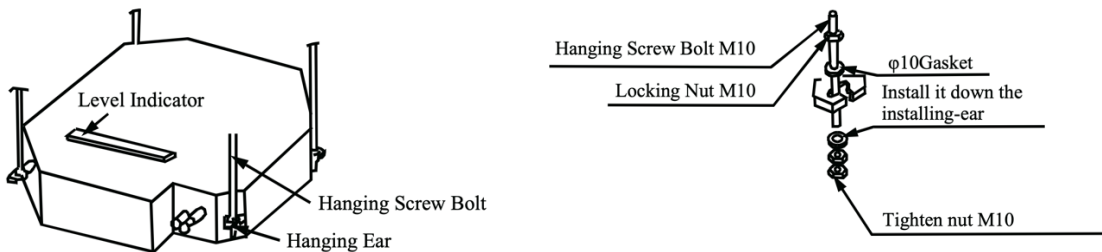


Steel roof beam structure

Install the supporting angle steel.



- Install the hanging bolt into T groove of the hanging tool.
- Over hang the indoor unit and ensure it is level using a level indicator.



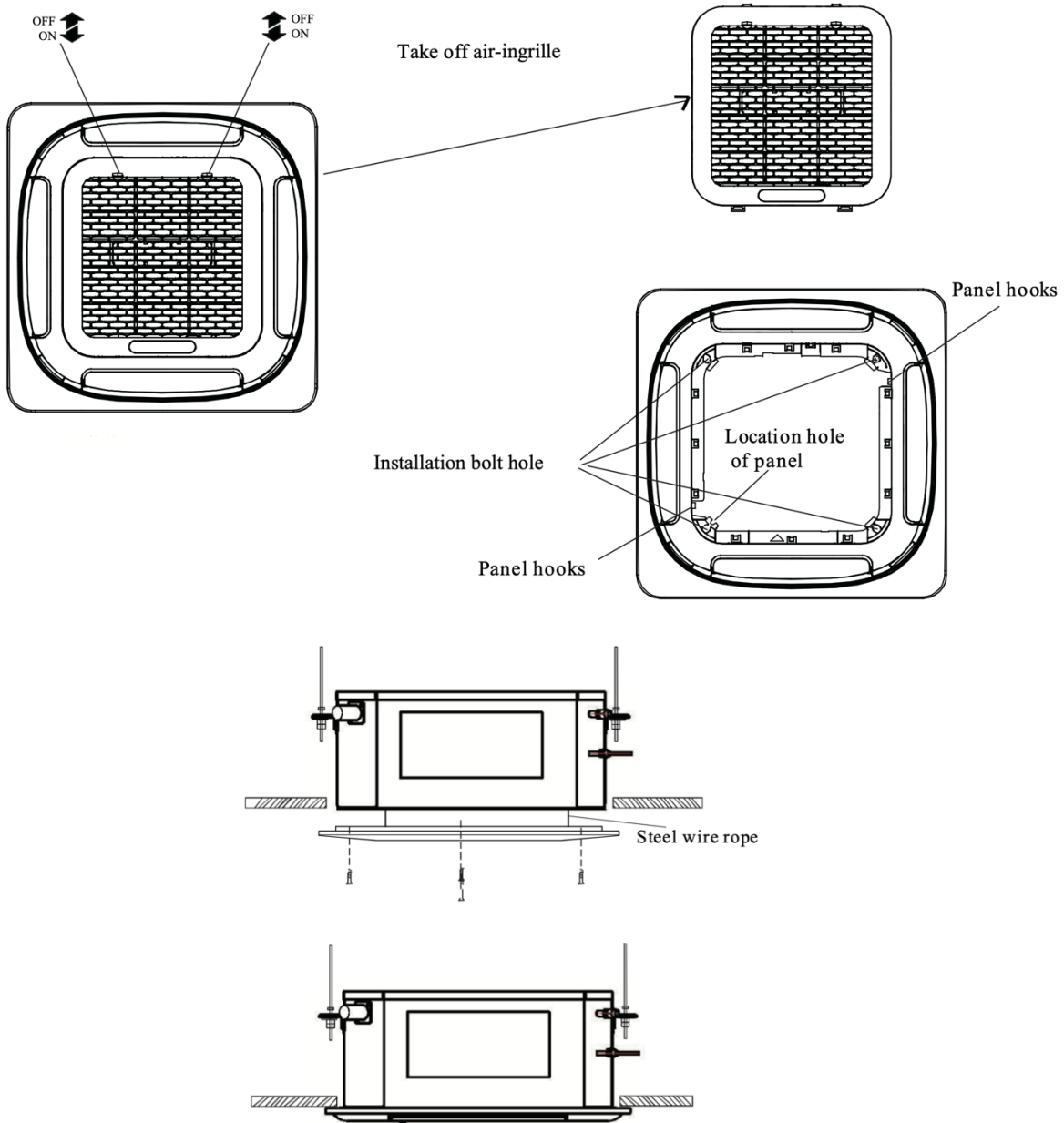
PANEL INSTALLATION

- Panel installation should be done after piping and wiring.
- Be sure that the indoor unit and ceiling hole installation size is right before installation.

CAUTION

Be sure to seal the connection parts between the panel-the ceiling and the panel-the indoor unit , or even small gaps may cause wind/water leakage or condensing water.

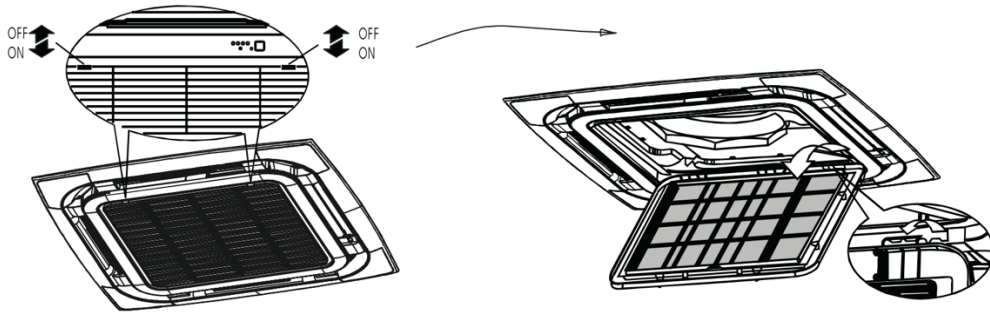
● CASSETTE DIMENSION:18K



1. Please screw two M5*20 bolts at the opposite angles of indoor unit , before fixing screws, determine the orientation of the panel: Align the positioning holes on the panel with the positioning pins on the box.
2. Please connect step motor wire, display board wire to the electrical box according to ELECTRIC WIRING DIAGRAM on the electrical box.
3. Then screw the other two M5*20 bolts through the holes of panel into indoor unit.
4. Adjust the location and direction of panel to tally louver of panel with outlet of outdoor, screw all the bolts fasten to make the panel and indoor unit pressed together.
5. Return the air-in grille and panel back to the indoor unit.

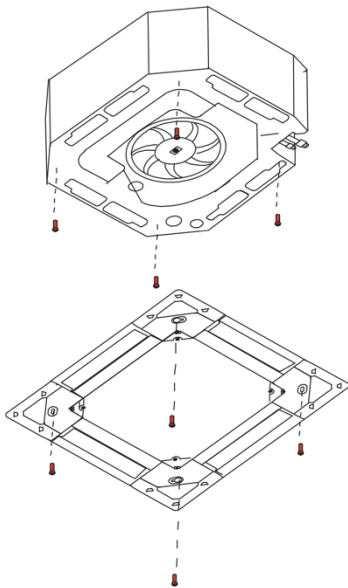
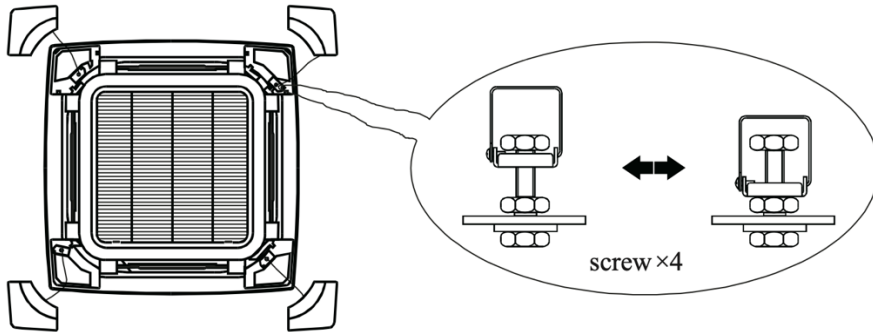
● CASSETTE DIMENSION:24K

Unload air-in grille



Take off air-in grille

Unload panel installation cap

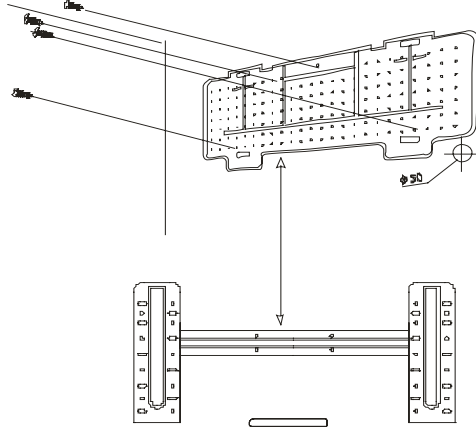


1. Please screw M10 gasket and M6*20 bolt at the corner of indoor unit, before screwing them fasten, screw other two additional bolts which locates red bolt showing as figure and notice that the direction of red arrow on the electrical box aligns the one on the panel.
2. Please connect step motor wire, display board wire to the electrical box according to ELECTRIC WIRING DIAGRAM on the electrical box.
3. Then screw the other two M6*20 bolts with M10 gasket through the hole of panel into indoor unit.
4. Adjust the location and direction of panel to tally louver of panel with outlet of outdoor, screw all the bolts fasten to make the panel and indoor unit pressed together.
5. Return the air-in grille and panel back to the indoor unit.

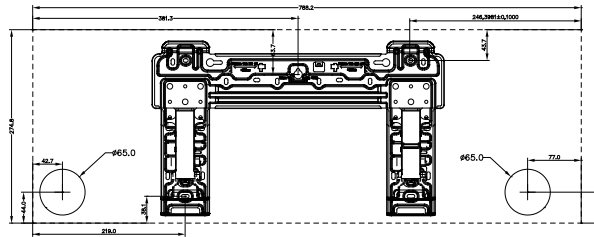
2. Mini Split

1. Installation of the mounting plate.

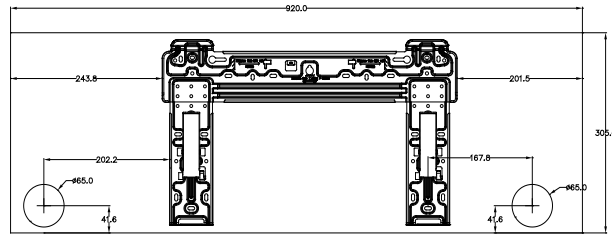
- 1) By using a level, put the mounting plate in a perfect square position vertically and horizontally.
- 2) Drill 32mm deep holes in the wall to fix the plate.
- 3) Insert the plastic anchors into the hole.
- 4) Fix the mounting plate by using the provided tapping screws.
- 5) Check that the mounting plate is correctly fixed.



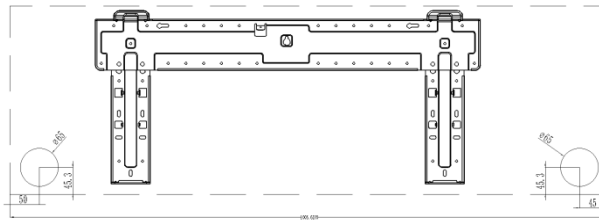
9k (800T)



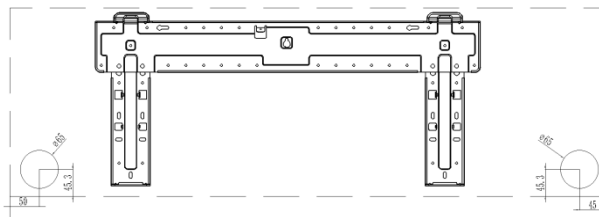
12k (900T)



18k (1010X)



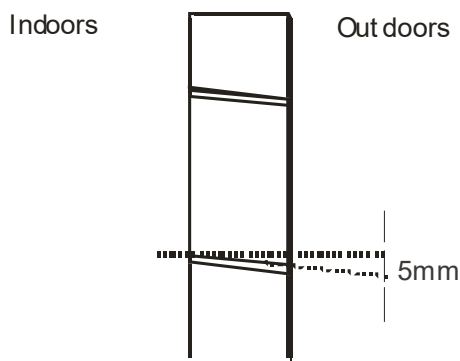
24k (1010X)



Note: The shape of the mounting plate may be different from the one above, but installation method is similar.

2. Drilling a hole in the wall for the piping

- 1) Decide where to drill the hole in the wall for the piping (if necessary) according to the position of the mounting plate
- 2) Install a flexible flange through the hole in the wall to keep the latter intact and clean.

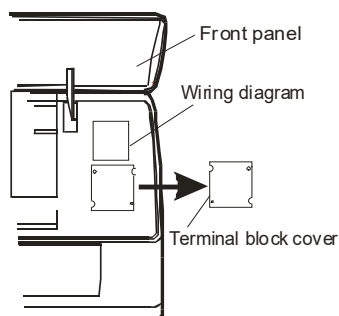


The hole must slope downwards towards the exterior.

Note: Keep the drain pipe down towards the direction of the wall hole, otherwise leakage may occur.

3. Electrical connections---Indoor unit

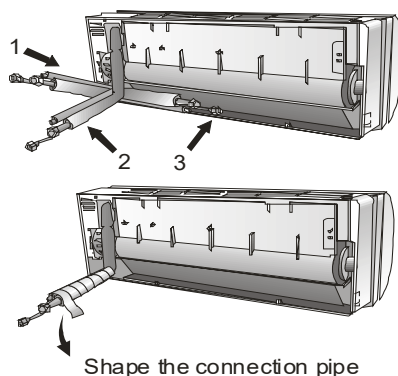
- 1). Lift the front panel.
- 2). Take off the cover as indicated in the picture (by removing a screw or by breaking the hooks).
- 3). For the electrical connections, see the circuit diagram on the right part of the unit under the front panel.
- 4). Connect the cable wires to the screw terminals by following the numbering, use wire size suitable to the electric power input (see name plate on the unit) and according to all current national safety code requirements.
- 5). The cable connecting the outdoor and indoor units must be suitable for outdoor use.
- 6). The plug must be accessible also after the appliance has been installed so that it can be pulled out if necessary.
- 7). An efficient earth connection must be ensured.
- 8). If the power cable is damaged, it must be replaced by an authorized Service Centre.



★ Refrigerant piping connection

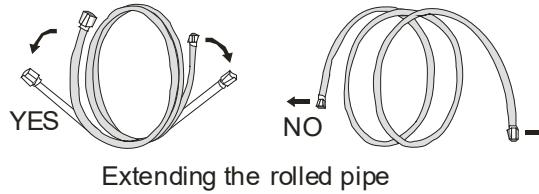
The piping can be run in the 3 directions indicated by numbers in the picture. When the piping is run in direction 1 or 3, cut a notch along the groove on the side of the indoor unit with a cutter.

Run the piping in the direction of the wall hole and bind the copper pipes, the drain pipe and the power cables together with the tape with the drain pipe at the bottom, so that water can flow freely.



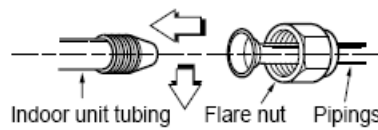
4. Connecting the pipes.

- Do not remove the cap from the pipe until connecting it, to avoid dampness or dirt from entering.
- If the pipe is bent or pulled too often, it will become stiff. Do not bend the pipe more than three times at one point.
- When extending the rolled pipe, straighten the pipe by unwinding it gently as shown in the picture.

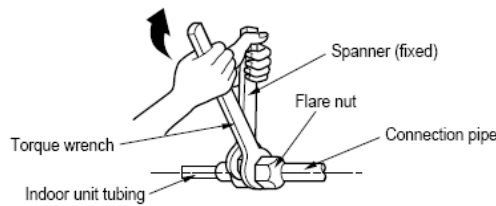


5. Connections to the indoor unit

- 1). Remove the indoor unit pipe cap (check that there is no debris inside).
- 2). Insert the flare nut and create a flare at the extreme end of the connection pipe.



- 3). Tighten the connections by using two wrenches working in opposite directions.

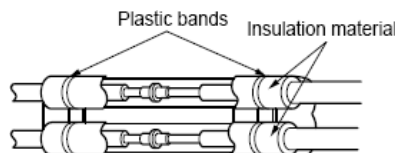


Capacity (Btu/h)	Pipe Size (Torque)	
	Gas	Liquid
7/9/12K	3/8" (4.2 kg.m)	1/4" (1.8 kg.m)
18K	1/2" (5.5 kg.m)	1/4" (1.8 kg.m)
24K	5/8" (6.6 kg.m)	3/8" (4.2 kg.m)

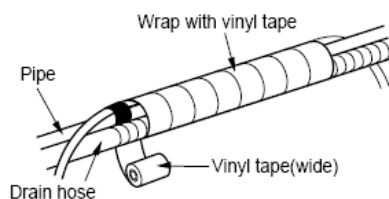
When extending the drain hose at the indoor unit, install the drain pipe.

Wrap the insulation material around the connecting portion.

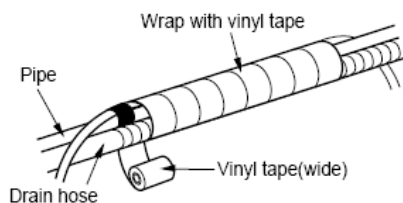
- Overlap the connection pipe insulation material and the indoor unit pipe insulation material. Bind them together with vinyl tape so that there is no gap.



Wrap the area which accommodates the rear piping housing section with vinyl tape.



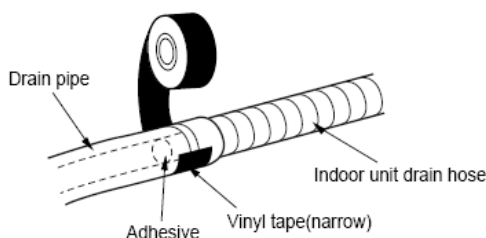
- Bundle the piping and drain hose together by wrapping them with vinyl tape over the range within which they fit into the rear piping housing section.



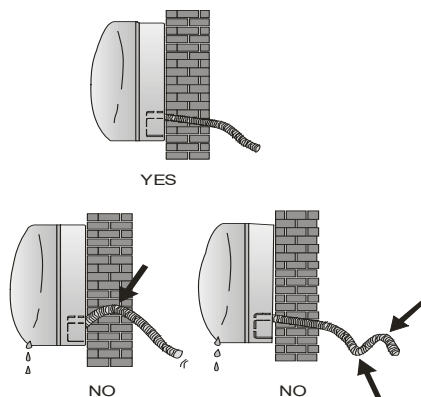
6. Indoor unit condensed water drainage

The indoor unit condensed water drainage is fundamental for the success of the installation.

- 1). Place the drain hose below the piping, taking care not to create siphons.
- 2). The drain hose must slant downwards to aid drainage.
- 3). Do not bend the drain hose or leave it protruding or twisted and do not put the end of it in water. If an extension is connected to the drain hose, ensure that it is lagged when it passes into the indoor unit.
- 4). If the piping is installed to the right, the pipes, power cable and drain hose must be lagged and secured onto the rear of the unit with a pipe connection.



- Insert the pipe connection into the relative slot.
- Press to join the pipe connection to the base.



5.4.2. Outdoor Unit Installation

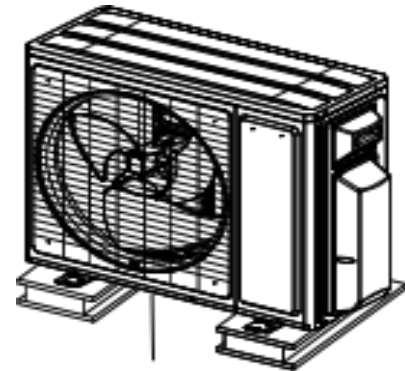
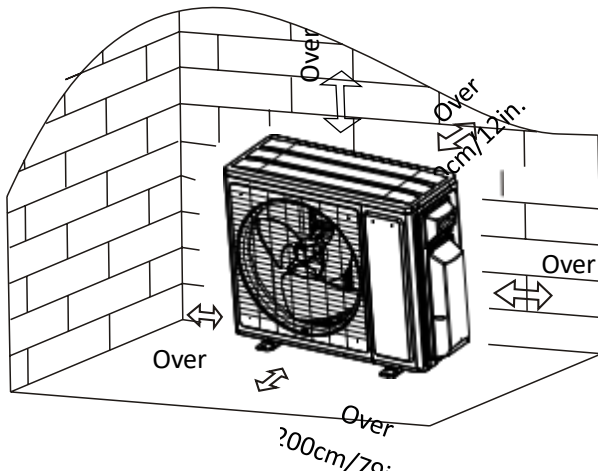
- Step1: Select Installation Location

Select a site that allows for the following:

- 1.1 Do not install the outdoor unit near sources of heat, steam or flammable gas.
- 1.2 Do not install the unit near in to windy or dusty places.
- 1.3 Do not install the unit where people often pass. Select a place where the air discharge and operating sound will not disturb the neighbors.
- 1.4 Avoid installing the unit where it will be exposed to direct sunlight (other wise use a protection, if necessary, that should not interfere with the air flow).
- 1.5 Reserve the spaces as shown in the picture for the air to circulate freely.

1.6 Install the outdoor unit in a safe and solid place.

1.7 If the outdoor unit is subject to vibration, place rubber blankets onto the feet of the unit.



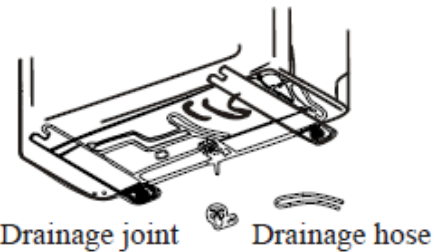
At least 3cm
above the floor

- Step2: Install Drainage Hose

2.1 This step only for heat pump models or RCACs.

2.2 Insert the drainage joint to the hole at the bottom of the outdoor unit. ⇔

2.3 Connect the drainage hose to the joint and make the connection well enough.



- Step3: Fix Outdoor Unit

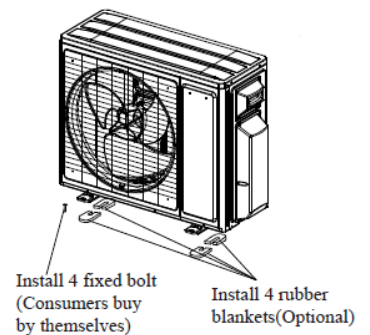
3.1 According to the outdoor unit installation dimensions to mark the installation position for expansion bolts.

3.2 Drill holes and clean the concrete dust and place the bolts.

3.3 If applicable install 4 rubber blankets on the hole before place the outdoor unit (Option). This will reduce vibrations and noise.

3.4 Place the outdoor unit base on the bolts and pre-drilled holes.

3.5 Use wrench to fix the outdoor unit firmly with bolts.



- Note:

The outdoor unit can be fixed on a wall-mounting bracket. Follow the instruction of the wall-mounting bracket to fix the wall-mounting bracket on the wall, and then fasten the outdoor unit on it and keep it horizontal.

The wall-mounting bracket must be able to support at least 4 times of the weight of outdoor unit.

- Step4: Install Wiring (The following are 2 zone system and 5 zone system, and other analogies)

4.1 Use a Phillips screwdriver to unscrew wiring cover, grasp and press it down gently to take it down.

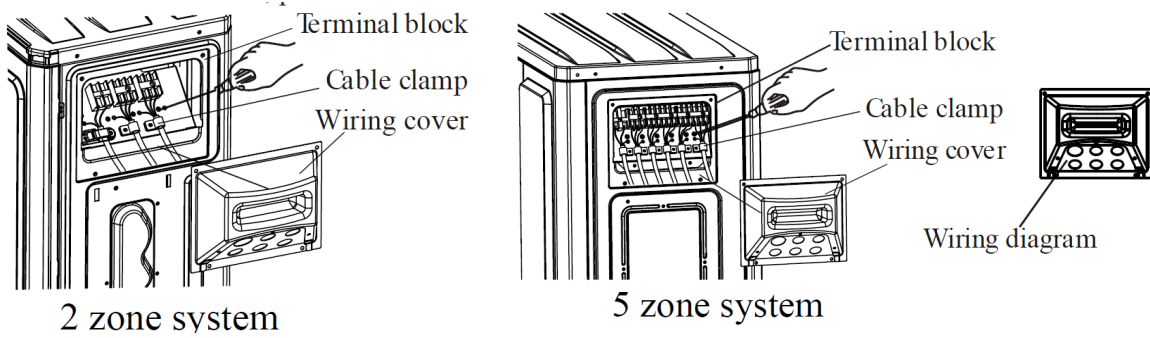
4.2 Unscrew the cable clamp and take it down.

4.3 According to the wiring diagram pasted inside the wiring cover, connect the connecting wires to the corresponding terminals, and ensure all connections are firmly and securely.

4.4 Reinstall the cable clamp and wiring cover.

△ When connecting the wires of indoor and outdoor units, the power should be cut off.

Note: Install the cable, please refer to front page "Cable Connection Between IDU To ODU".



● Step5: Connecting Refrigerant Pipe

5.1 Unscrews the valve cover, grasp and press it down gently to take it down (if the valve cover is applicable).

5.2 Remove the protective caps from the end of valves.

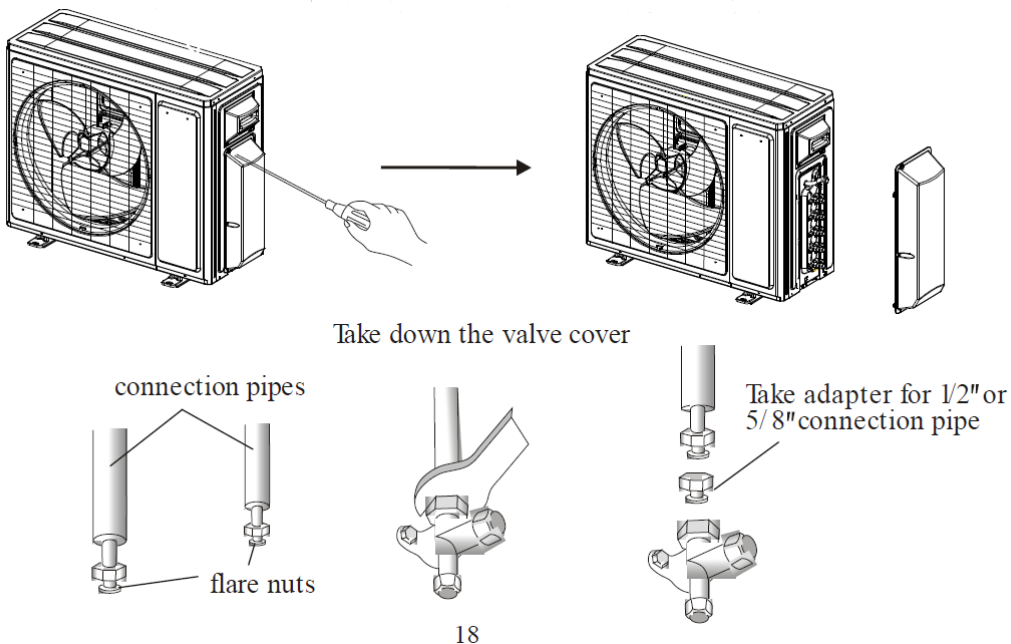
5.3 Take off the plastic cover in the pipe ports and check whether there is any sundry on the port of the connecting pipe and make ensure the port is clean.

5.4 After aligning the center, rotate the flare nut of the connecting pipe to tighten the nut as tightly as possible by hand.

5.5 Use a spanner to hold the body of the valve and use a torque wrench to tighten the flare nut according to the torque values in the torque requirements table.

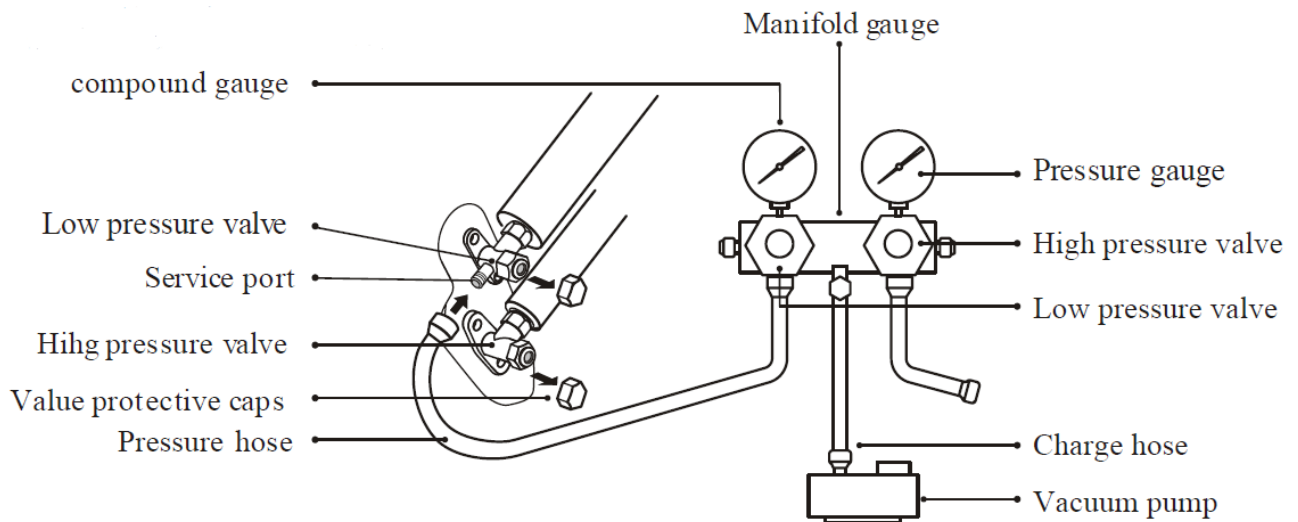
(Refer to the torque requirements table on section INSTALLATION PRECAUTIONS)

IMPORTANT: If need to connect to 1/2 " or 5/8 " connection pipe, please use the transit adapter, and find it in indoor carton box together with user manual bag.



● Step6: Vacuum Pumping (2 zone system)

- 6.1 Use a spanner to take down the protective caps from the service port, low pressure valve and high-pressure valve of the outdoor unit.
- 6.2 Connect the pressure hose of manifold gauge to the service port on the outdoor unit low pressure valve.
- 6.3 Connect the charge hose from the manifold gauge to the vacuum pump.
- 6.4 Open the low-pressure valve of the manifold gauge and close the high-pressure valve.
- 6.5 Turn on the vacuum pump to vacuum the system.
- 6.6 The vacuum time should not be less than 15 minutes, or make sure the compound gauge indicates -0.1 MPa (-76 cm/Hg)
- 6.7 Close the low-pressure valve of the manifold gauge and turn off the vacuum.
- 6.8 Hold the pressure for 5 minutes, make sure that the rebound of compound gauge pointer does not exceed 0.005 MPa.
- 6.9 Open the low-pressure valve counterclockwise for 1/4 turn with hexagonal wrench to let a little refrigerant fill in the system, and close the low-pressure valve after 5 seconds and quickly remove the pressure hose.
- 6.10 Check all indoor and outdoor joints for leakage with soapy water or leak detector.
- 6.11 Fully open the low-pressure valve and high-pressure valve of the outdoor unit with hexagonal wrench.
- 6.12 Reinstall the protective caps of the service port, low pressure valve and high-pressure valve of the outdoor unit.
- 6.13 Reinstall the valve cover.



⚠ After install line set and before open the valve switch, must vacuum at first.

● Step6: Vacuum Pumping (3\4\5 zone system)

6.1 Preparations and Precautions

Air and foreign matter in the refrigerant circuit can cause abnormal rises in pressure, which can damage the air conditioner, reduce its efficiency, and cause injury. Use a vacuum pump and manifold gauge to evacuate the refrigerant circuit, removing any non-condensable gas and moisture from the system. Evacuation should be

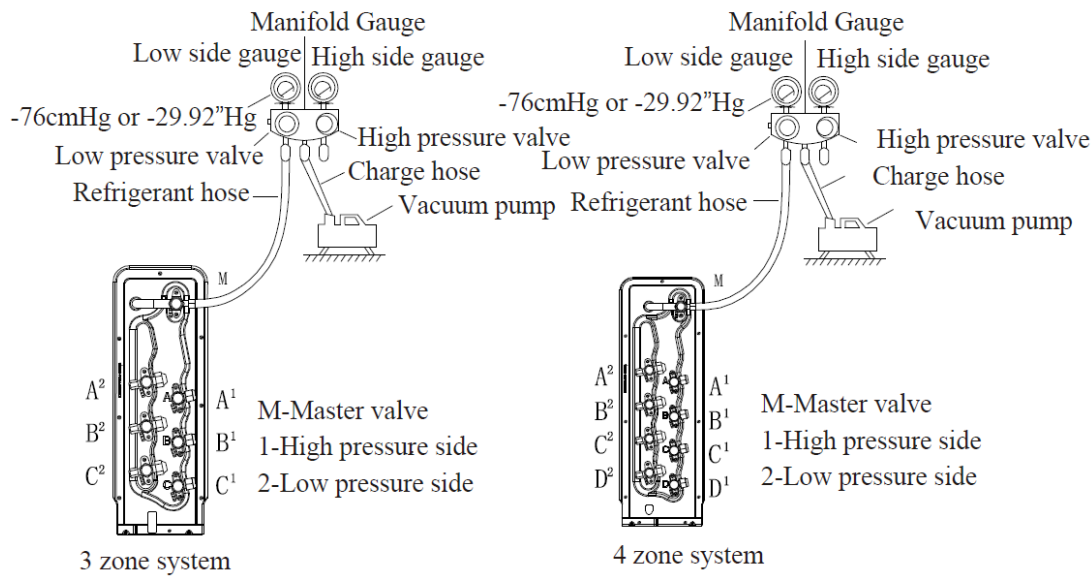
performed upon initial installation.

Before performing evacuation

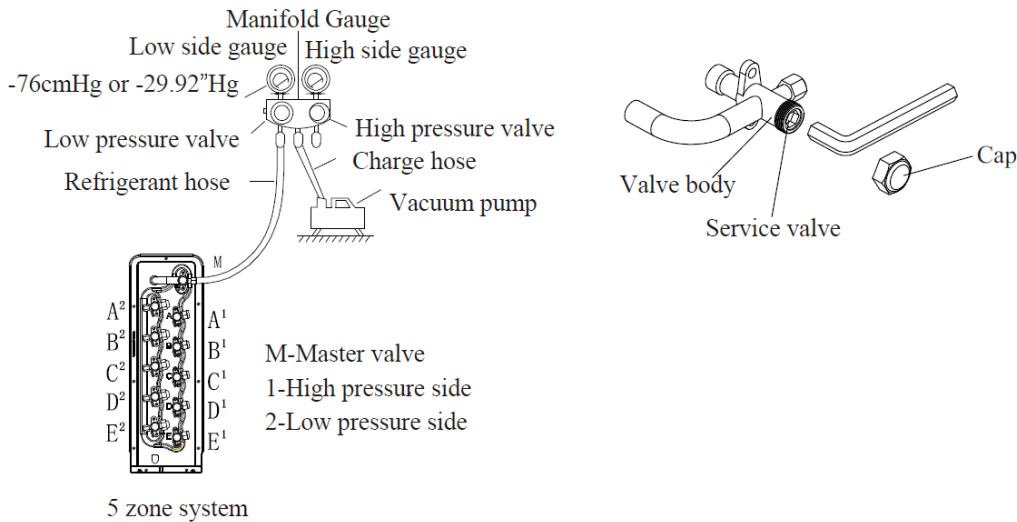
- 1) Check to make sure that both high-pressure and low-pressure pipes between the indoor and outdoor units are connected properly in accordance with the Refrigerant Piping Connection section of this manual.
- 2) Check to make sure all wiring is connected properly.
- 3) Perform nitrogen leak check on all refrigerant joints.

6.2 Evacuation Instructions

Before using the manifold gauge and vacuum pump, read their operation manuals to familiarize yourself with how to use them properly.



1. Connect the refrigeration hose from the low side manifold gauge to the master service valve port on the outdoor unit.
2. Connect charge hose from the manifold gauge to the vacuum pump.
3. Open the low-pressure side service valves (A2, B2, C2, etc.) if the line set was connected. But be careful not to open the high-pressure side service valves (A1, B1, C1, etc.)



4. Open the Low-Pressure side valve on the manifold gauge. Keep the High-Pressure side valve closed.
 5. Turn on the vacuum pump to evacuate the system.
 6. Run the vacuum until the Compound Meter reads -76cmHg/-29.92"Hg (-101 kPa). It is recommended to use a micron gauge; run the vacuum until the micron gauge reads 350 to 500 microns or less.
 7. After the vacuum process has been achieved, close the Low-Pressure side valve on the manifold gauge, and turn off the vacuum pump.
 8. Wait for approximately 10 to 15 minutes, then check that there has been no change in system vacuum. It is recommended to use a micron gauge; check to make sure the system is still below 500 microns.
 9. If there is a change in system vacuum, refer to Gas Leak Check section for information on how to check for leaks. If there is no change in system vacuum, remove the charge hose from the service port.
 10. Using Allen wrench, fully open the master valves (M1, M2) on the top and the high-pressure side service valves (A1, B1, C1, etc.).
 11. Tighten valve caps on all valves (master valves, high side and low side services valves) by hand. You may tighten it further using a torque wrench if needed.
- NOTICE: Open valve stems gently, when opening service valve, turn the Allen wrench until it hits against the stopper. Do not try to force the valve to open further.

5.4.3. Pipe Length and Additional Refrigerant

Inverter Models ODU Capacity(Btu/h)	2 Zone System	3 Zone System	4 Zone System	5 Zone System
Max. equivalent length for all indoor units	131ft/40m	197ft/60m	197ft/80m	295ft/90m
Max. length to farthest indoor unit	82ft/25m	98ft/30m	98ft/30m	98ft/30m
Max. height difference between indoor and outdoor unit	49ft/15m	49ft/15m	49ft/15m	49ft/15m
Max. height difference between indoor unit	33ft/10m	33ft/10m	33ft/10m	33ft/10m
Standard refrigerant pipe length (ft /m)	49ft/15m	74ft/22.5m	98ft/30m	123ft/37.5m
Additional refrigerant charge (Based on the IDU liquid line size)	1/4in 0.11oz/ft	1/4in 0.11oz/ft	1/4in 0.11oz/ft 3/8in 0.22oz/ft	1/4in 0.11oz/ft 3/8in 0.22oz/ft

5.4.4. Torque Parameters

Torque Parameters

Pipe Size	Newton meter[N x m]	Pound-force foot(lbf-ft)	Kilogram-force meter(kgf-m)
1/4 " (ϕ 6.35)	15 - 20	11.1 - 14.8	1.5 - 2.0
3/8 " (ϕ 9.52)	31 - 35	22.9 - 25.8	3.2 - 3.6
1/2 " (ϕ 12)	45 - 50	33.2 - 36.9	4.6 - 5.1
5/8 " (ϕ 15.88)	60 - 65	44.3 - 48.0	6.1 - 6.6

5.4.5. Outdoor Side Drain Pipe

- The outdoor unit should be installed on a solid wall and fastened securely.
- The following procedure must be observed before connecting the pipes and connecting cables: decide

which is the best position on the wall and leave enough space to be able to carry out maintenance easily.

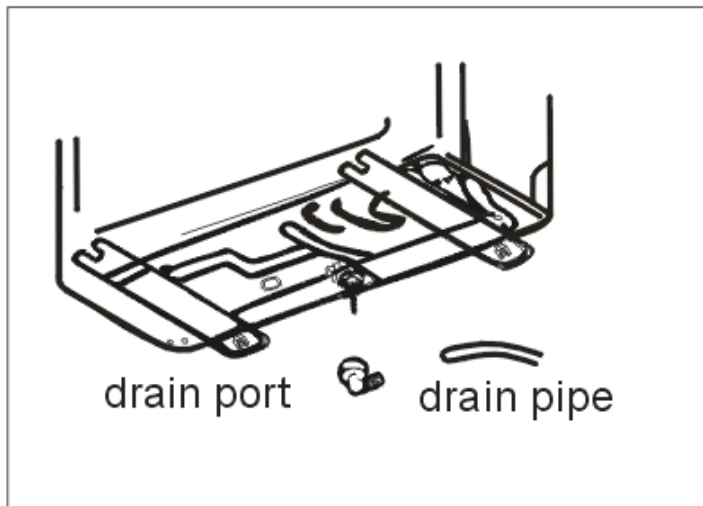
- Fasten the support to the wall using screw anchors which are particularly suited to the type of wall;
- Use a larger quantity of screw anchors than normally required for the weight they have to bear to avoid vibration during operation and remain fastened in the same position for years without the screws becoming loose.
- The unit must be installed following the national regulations.

Outdoor unit condensed water drainage

(only for heat pump models)

- The condensed water and the ice formed in the outdoor unit during heating operation can be drained away through the drain pipe.
- 1) Fasten the drain port in the 25mm hole placed in the part of the unit as shown in the picture.
 - 2) Connect the drain port and the drain pipe.

Pay attention that water is drained in a suitable place.



5.5. Electrical Installation

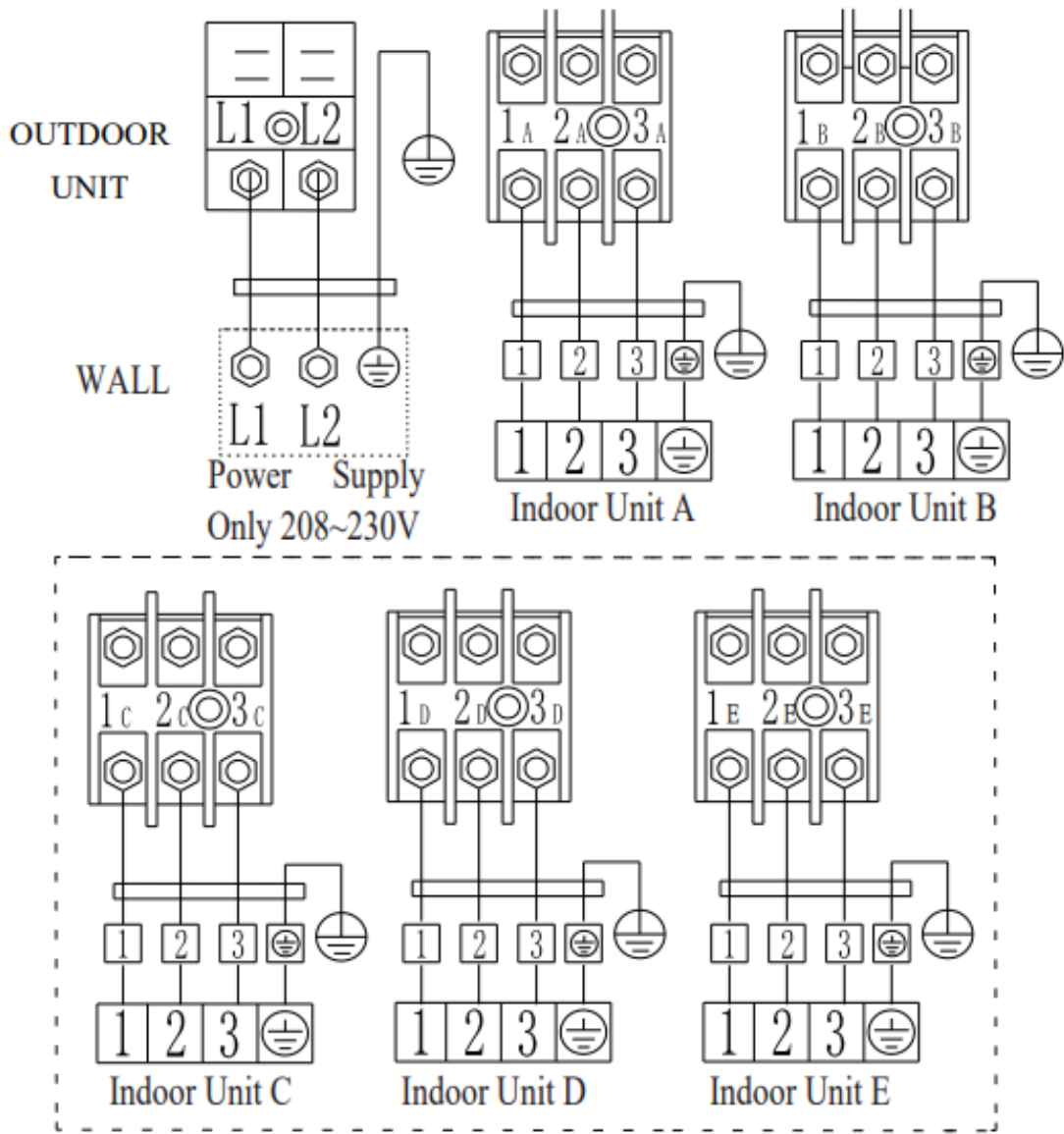
Cable Connection Between IDU To ODU

Note: Plug the connective cables to the corresponding terminals, as shown. For example

Terminal(A) of the outdoor unit must connect with Terminal (A) on the indoor unit.

Note:

- 1)Connect to internal and external communication lines.
- 2)Connect the fire line.
- 3)Connect the zero line.



5.6. Test Running

Inspections Before Test Run

Do the following checks before test run.

Description	Inspection method
Electrical safety inspection	<ul style="list-style-type: none"> ● Check whether the power supply voltage complies with specification. ● Check whether there is any wrong or missing connection between the power lines, signal line and earth wires. ● Check whether the earth resistance and insulation resistance comply with requirements.
Installation safety inspection	<ul style="list-style-type: none"> ● Confirm the direction and smoothness of drainage pipe. ● Confirm that the joint of refrigerant pipe is installed completely. ● Confirm the safety of outdoor unit, mounting plate and indoor unit installation. ● Confirm that the valves are fully open. ● Confirm that there are no foreign objects or tools left inside the unit. ● Complete installation of indoor unit air inlet grille and panel.
Refrigerant leakage detection	<ul style="list-style-type: none"> ● The piping joint, the connector of the two valves of the outdoor unit, the valve spool, the welding port, etc where leakage may occur. ● Foam detection method: Apply soapy water or foam evenly on the parts where leakage may occur, and observe whether bubbles appear or not, if not, it indicates that the leakage detection result is safe. ● Leak detector method: Use a professional leak detector and read the instruction of operation, detect at the position where leakage may occur. ● The duration of leak detection for each position should last for 3 minutes or more; <p>If the test result shows that there is leakage, the nut should be tightened and tested again until there is no leakage;</p> <p>After the leak detection is completed, wrap the exposed pipe connector of indoor unit with thermal insulation material and wrap with insulation tape.</p>

Test Running Instruction

1. Turn on the power supply.
2. Press the ON/OFF button on the remote controller to turn on the air conditioner.

3. Press the Mode button to switch the mode COOLING and HEATING.

In each mode set as below:

COOLING-Set the lowest temperature

HEATING-Set the highest temperature

4. Run about 8 minutes in each mode and check all functions are properly run and respond the remote controller.

Functions check as recommended:

4.1 If the outlet air temperature responds to the cooling and heating modes

4.2 If the water drains properly from the drainage hose

4.3 If the Louver and deflectors(optional) rotate properly

5. Observe the test run state of the air conditioner at least 30 minutes.

6. After the successfully test run, return the normal setting and press ON/OFF button on the remote controller to turn off the unit.

7. Inform the user to read this manual carefully before use, and demonstrate to the user how to use the air conditioner, the necessary knowledge for service and maintenance, and the reminder for storage of accessories.

Note: If the ambient temperature exceeds the range mentioned in the section OPERATION INSTRUCTIONS, and it cannot run COOLING or HEATING mode, lift the front panel and refer to the emergency button operation to run the COOLING and HEATING mode.

6. Troubleshooting

6.1 Error Code

Code	Reason	Remark
E0	IDU & ODU Communication failure	The IDU & ODU wiring connection, correct?
E1	IDU Room Temperature sensor failure. (IDU RT failure)	IDU sensor and PCB.
E2	IDU Coil temperature sensor failure. (IDU IPT failure)	IDU sensor and PCB.
E3	ODU Coil temperature sensor failure. (OPT)	ODU coil sensor and ODU PCB
E4	AC Cooling system abnormal	Gas leakage? 2-way or 3-way valve blocked etc.
E5	IDU/ODU mismatched failure (specially performance test on the production line)	/
E6	IDU PG Fan motor / DC fan motor works abnormal (IDU failure)	Fan motor, fan blade and PCB.
E7	ODU Ambient Temperature sensor failure	ODU ambient sensor and ODU PCB.
E8	ODU Discharge Temperature sensor failure.	ODU discharge sensor and ODU PCB.
E9	IPM / Compressor driving control abnormal.	ODU PCB, compressor, etc.
EA	ODU Current Test circuit failure	ODU PCB broken?
Eb	The Communication abnormal of Main PCB and Display board (IDU failure)	Display board and main PCB.
EC	The Communication abnormal of system module and drive module (ODU failure)	ODU PCB broken
EE	ODU EEPROM failure.	1. ODU PCB broken? 2. Try to re-power on AC unit.
EF	ODU DC fan motor failure.	Fan motor, ODU PCB.
EH	ODU suction temperature sensor failure.	ODU suction sensor and PCB.
EU	Compressor phase current overcurrent protection	ODU/Compressor
En	ODU gas pipe temperature sensor failure.	ODU gas pipe sensor and PCB
Ey	ODU liquid pipe temperature sensor failure.	ODU liquid pipe senso and PCB
P0	IPM module protection.	ODU PCB
P1	Over / under voltage protection.	1. ODU PCB broken? 2. Power supply abnormal?
P2	Over current protection.	1. ODU PCB broken? 2. Power supply abnormal?
P4	ODU Discharge pipe Over temperature protection.	Please check the troubleshooting for detail.
P5	Sub-cooling protection on Cooling mode.	Please check the troubleshooting for detail.
P6	Overheating protection on Cooling mode.	Please check the troubleshooting for detail.
P7	Overheating protection on Heating mode.	Please check the troubleshooting for detail.
P8	Outdoor Over temperature/Under temperature protection.	Please check the troubleshooting for detail.
P9	Compressor driving protection (Load abnormal).	Please check the troubleshooting for detail.

PA	Communication failure for TOP flow unit/ Preset mode conflict. (IDU failure)	Please check the troubleshooting for detail.
F0	Infrared Customer feeling test sensor failure. (IDU failure)	Querying by press remote controller
F1	Electric Power test module failure. (IDU failure)	Querying by press remote controller
F2	Discharge temperature sensor failure PROTECTION.	Please check the troubleshooting for detail.
F3	ODU coil temperature failure PROTECTION	Please check the troubleshooting for detail.
F4	Cooling system gas flow abnormal PROTECTION	Please check the troubleshooting for detail.
F5	PFC PROTECTION	Please check the troubleshooting for detail.
F6	The Compressor lack of phase / Anti-phase PROTECTION.	Please check the troubleshooting for detail.
F7	IPM Module temperature PROTECTION	Please check the troubleshooting for detail.
F8	4-Way Valve reversing abnormal	Please check the troubleshooting for detail.
F9	The module temperature test circuit failure.	ODU PCB
FA	The compressor Phase-current test circuit failure.	ODU PCB
Fb	Limiting/Reducing frequency for Over load protection on Cooling/Heating mode.	Querying by press remote controller
FC	Limiting/Reducing frequency for High power consumption protection.	Querying by press remote controller
FE	Limiting/Reducing frequency for Module current protection (phase current of compressor).	Querying by press remote controller
FF	Limiting/Reducing frequency for Module temperature protection.	Querying by press remote controller
FH	Limiting/Reducing frequency for Compressor driving protection.	Querying by press remote controller
FP	Limiting/Reducing frequency for anti-condensation protection..	Querying by press remote controller
FU	Limiting/Reducing frequency for anti-frost protection.	Querying by press remote controller
Fj	Limiting/Reducing frequency for Discharge over temperature protection.	Querying by press remote controller
Fn	Limiting/Reducing frequency for ODU AC Current protection.	Querying by press remote controller
Fy	Gas leakage protection	Please check the troubleshooting for detail.
bf	TVOC sensor failure (IDU failure, optional)	Querying by press remote controller
bc	PM2.5 sensor failure (IDU failure, optional)	Querying by press remote controller
bj	Humidity sensor failure. (IDU failure)	Querying by press remote controller
H1	High pressure switch failure	1. High pressure switch damage 2. High pressure switch connection is loose 3. ODU main PCB damage
H2	Low pressure switch failure	1. Low pressure switch damage 2. Low pressure switch connection is loose 3. ODU main PCB damage

Note: Remote controller FAILURE CODE Querying function

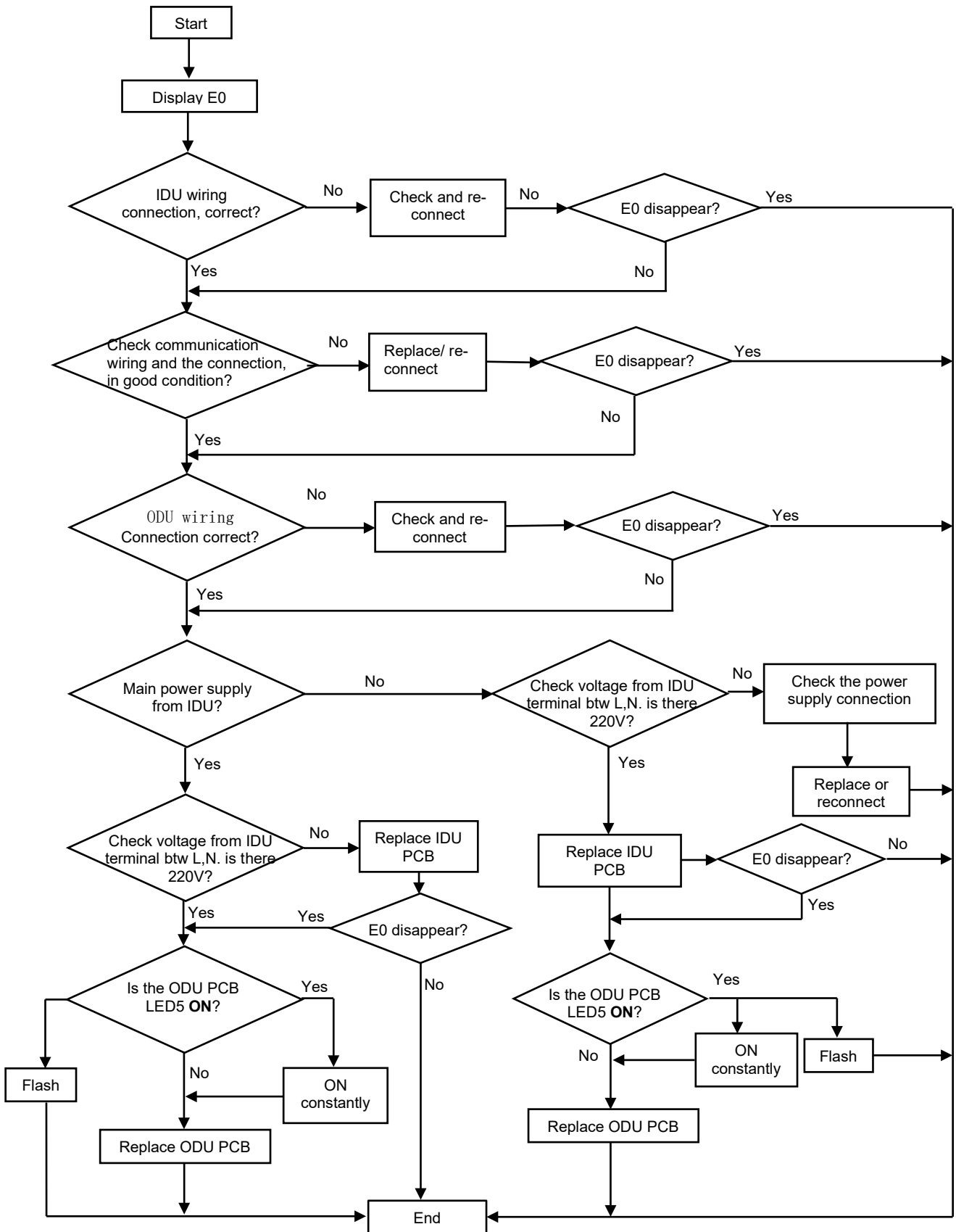
As shown in the failure codes, some of the codes (Fb~bj) need to press remote control for inspection.

While unit on operation, press the ECO button 8 times with 8 seconds, the buzzer BIBI 2 times, you can inspect the special failure code as Fb ~Fn, bj etc.

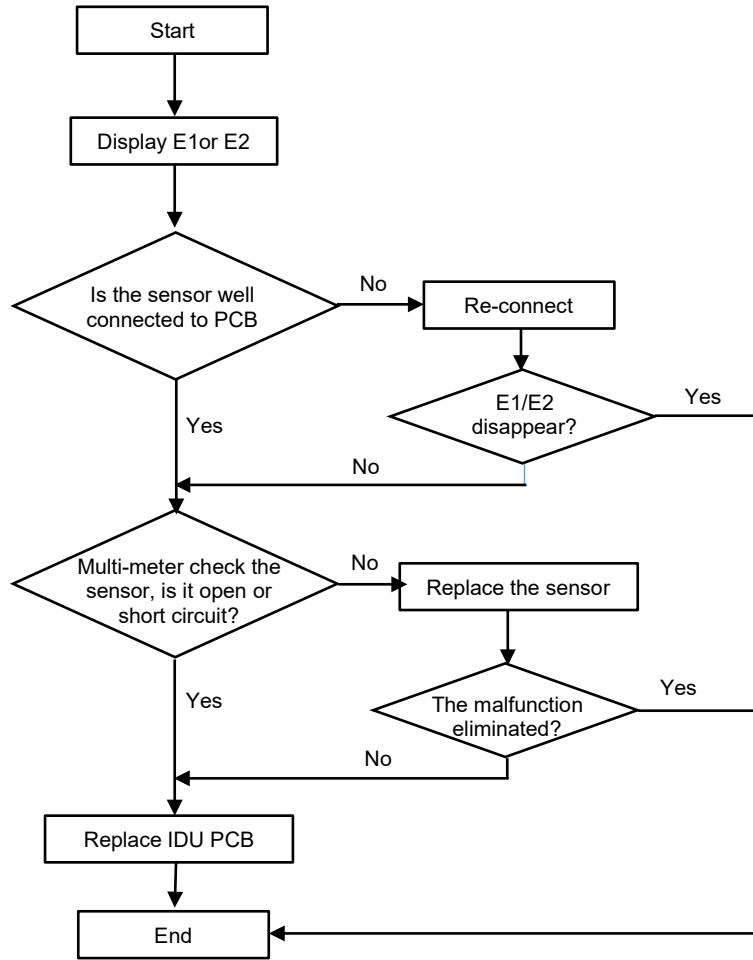
MALFUNCTION	POSSIBLE CAUSES
The appliance does not operate	Power failure/plug pulled out.
	Damaged indoor/outdoor unit fan motor.
	Faulty protective device or fuses.
	Faulty compressor thermomagnetic circuit breaker
	Loose connections or plug pulled out.
	It sometimes stops operating to protect the appliance.
	Voltage higher or lower than the voltage range.
	Active TIMER-ON function.
	Damaged electronic control board
Strange odor	Dirty air filter.
Noise of running water	Back flow of liquid in the refrigerant circulation.
A fine mist comes from the air outlet	This occurs when the air in the room becomes very cold, for example in the "COOLING" or "DEHUMIDIFYING/DRY" modes
A strange noise can be heard	This noise is made by the expansion or contraction of the front panel due to variations in temperature and does not indicate a problem.
Insufficient airflow, either hot or cold	Unsuitable temperature setting.
	Obstructed air conditioner intakes and outlets.
	Dirty air filter.
	Fan speed set at minimum.
	Other sources of heat in the room.
	No refrigerant
The appliance does not respond to commands	Remote control is not close enough to indoor unit
	The batteries of remote control need to be replaced.
	Obstacles between remote control and signal receiver in indoor unit
The display is off	Active DISPLAY function.
	Power failure.
Switch off the air conditioner immediately and cut off the power supply in the event of:	Strange noises during operation.
	Faulty electronic control board.
	Spraying water or objects inside the appliance.
	Overheated cables or plugs.
	Very strong smells coming from the appliance.

6.2 Troubleshooting

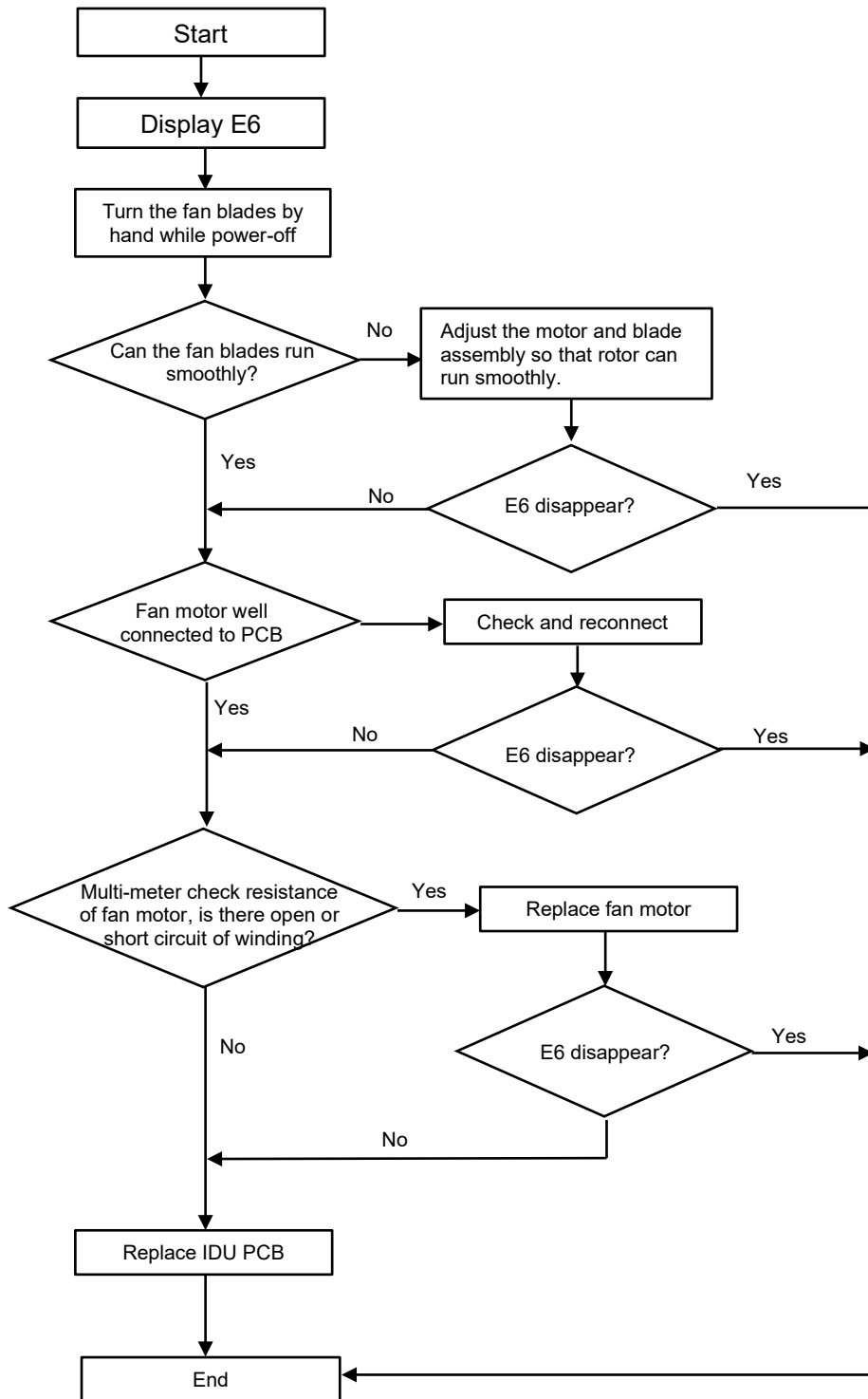
6.2.1 E0 ---IDU & ODU communication failure



6.2.2 E1, E2 --IDU Room temperature sensor and/or coil temperature sensor failure.

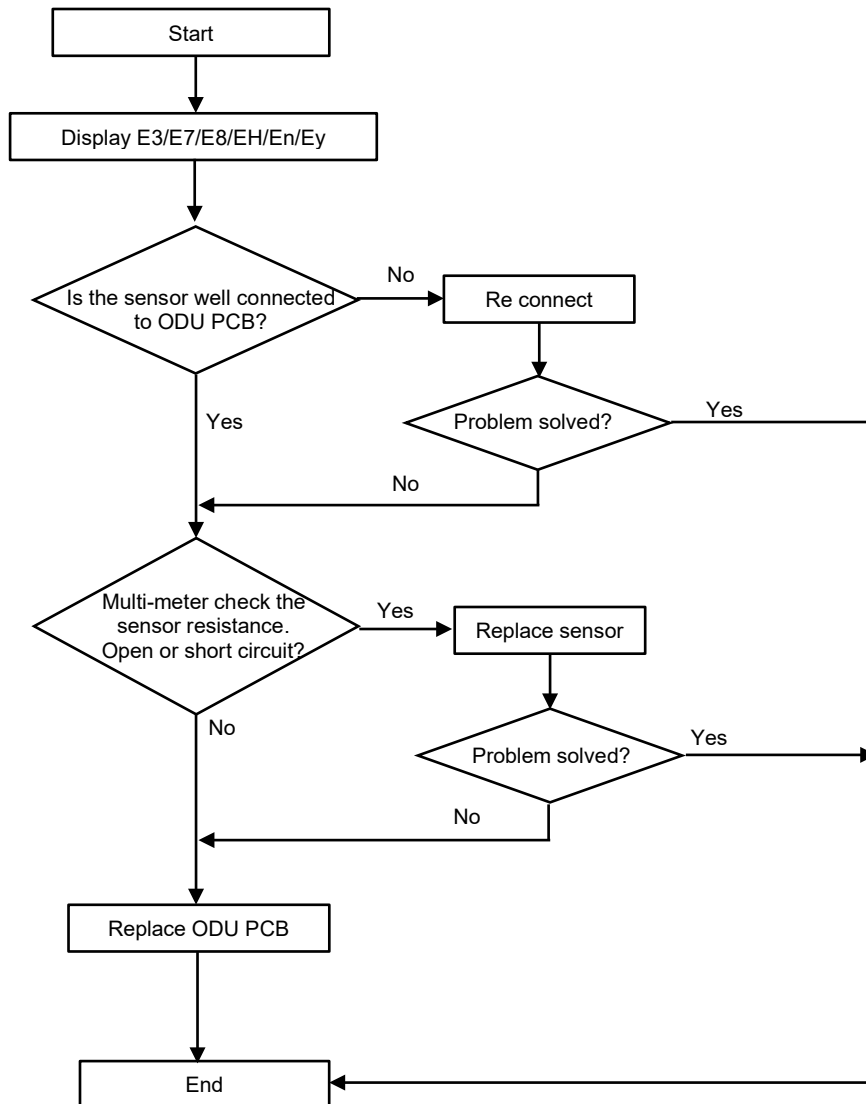


6.2.3 E6---IDU ventilation failure (PG and DC fan motor only)



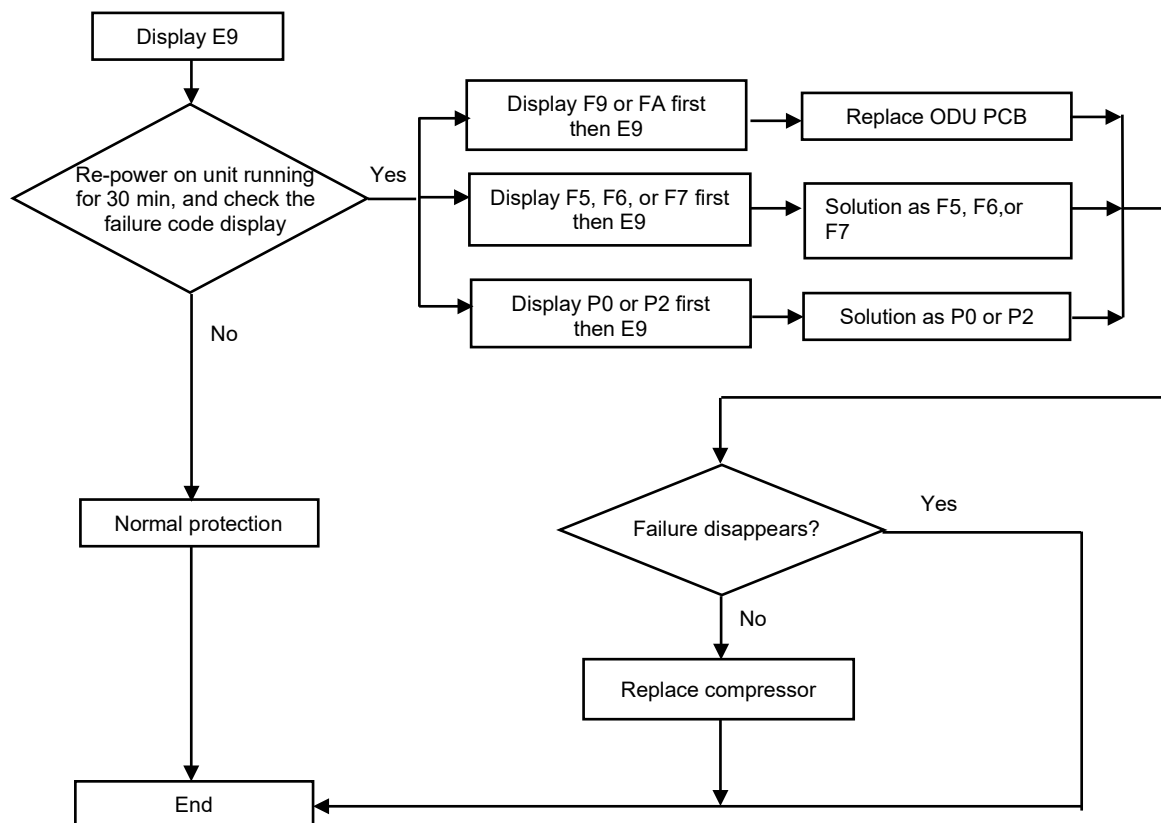
6.2.4 E3, E7, E8, EH, En or Ey---ODU Coil temperature sensor, Ambient temperature sensor, Discharge temperature sensor failure, Suction temperature sensor failure, Gas pipe temperature sensor failure or liquid pipe temperature sensor failure.

When any of the sensor resistance open or short circuit , unit will display failure code as E3/E7/E8/EH/En or Ey, IDU and ODU turns off. When the sensor resistance recovery, unit revert to be standby, customer can switch on the unit directly.



6.2.5 E9---ODU IPM /Compressor drive fault

If unit have 6 times stopping works for IPM protection (P0) continuously, it will display E9 error, and unit can't be recovered to operation, except press ON/OFF button.



6.2.6 EA--- ODU Current Test circuit failure

Cause: Outdoor current sampling circuit failure or driver parameter mismatch

Solution: Replace the ODU PCB.

6.2.7 Eb--- IDU communication abnormal of main board and operating board

Cause: 1. The communication wire damaged. 2. Outdoor main board damaged 3. Operating board damaged.

Solution: 1. Replace the communication wire. 2. Replace the outdoor main board. 3. Replace the operating board.

6.2.8 EC--- The Communication abnormal of system module and drive module

Cause: 1. The communication circuit of the outdoor unit PCB is damaged. 2. Program mismatch between system module and driver module

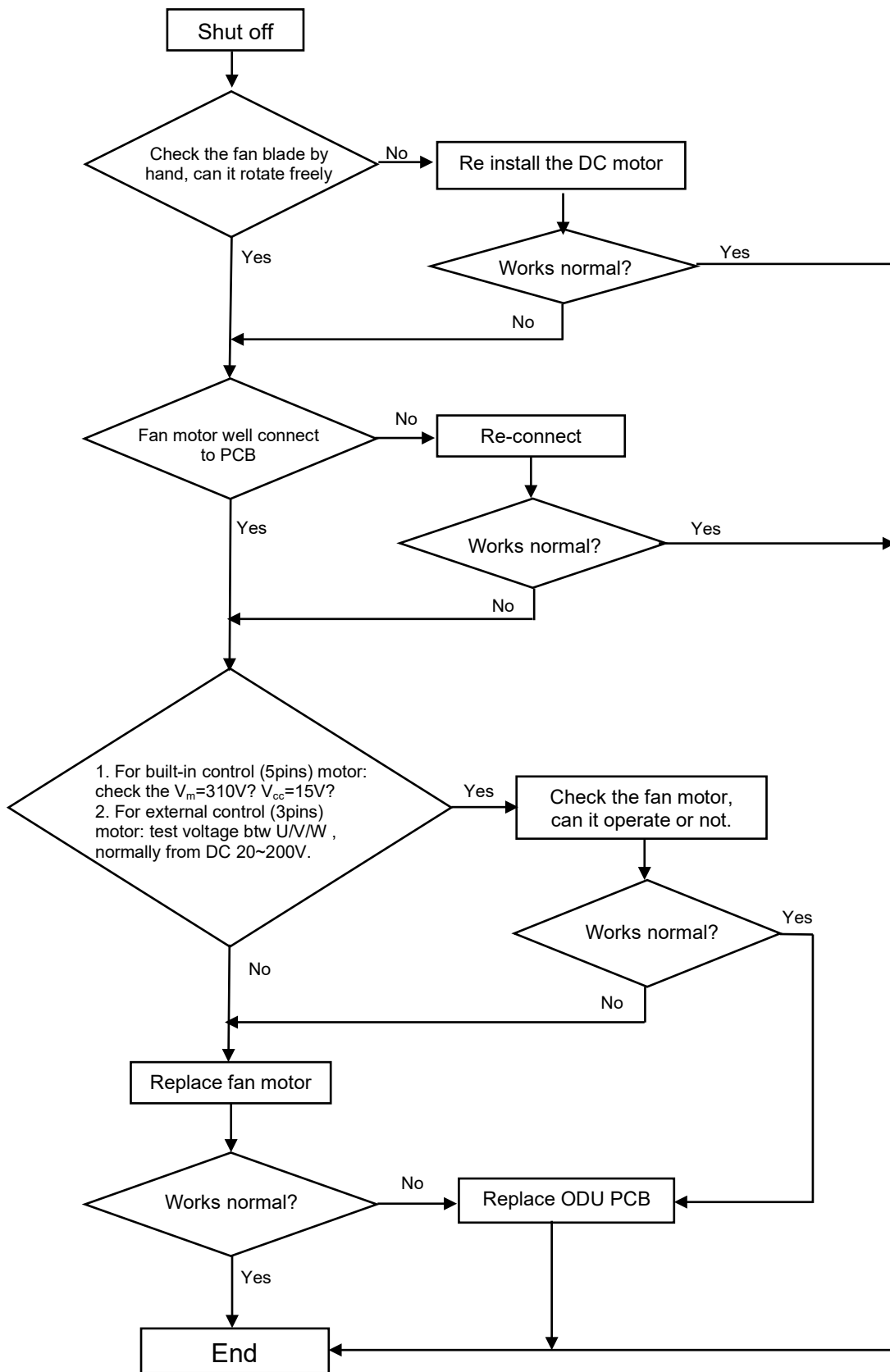
Solution: Replace the ODU PCB.

6.2.9 EE--- ODU EEPROM failure

Cause: The ODU mainboard damaged.

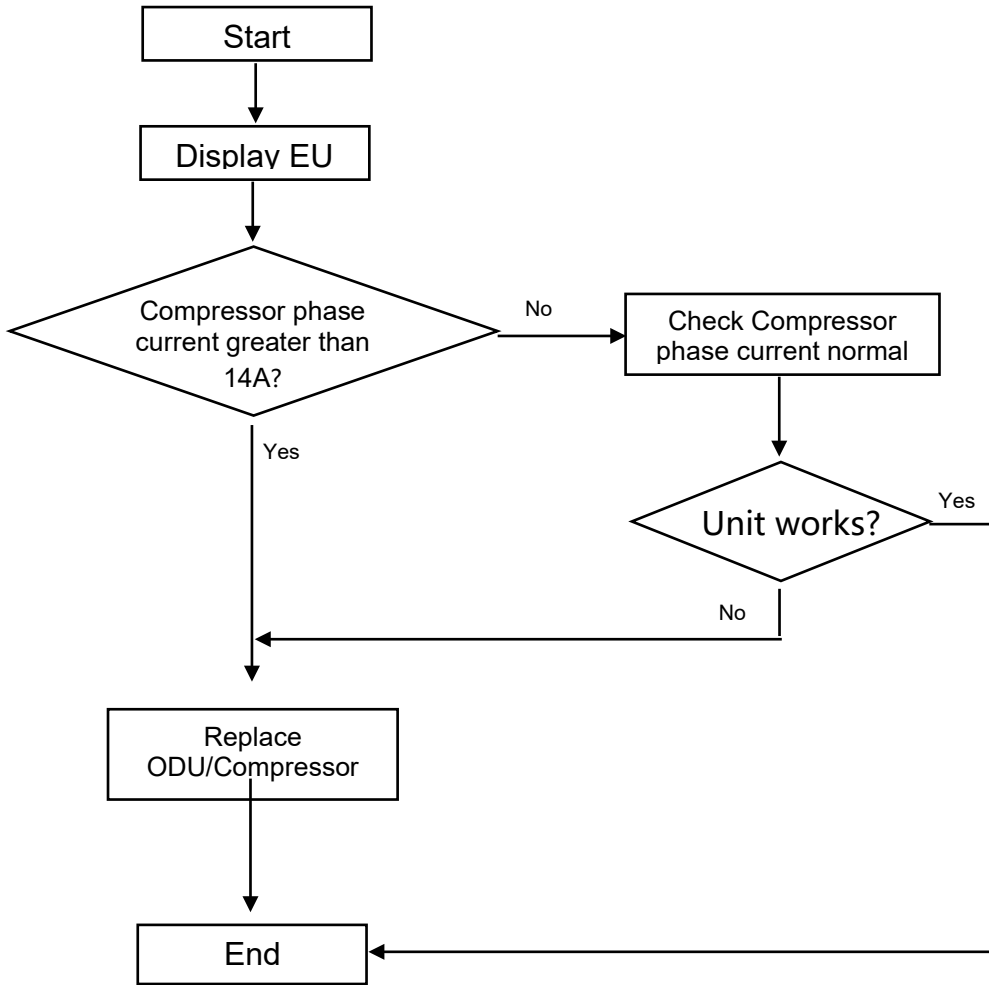
Solution: Replace the ODU PCB.

6.2.10 EF---ODU DC fan motor failure



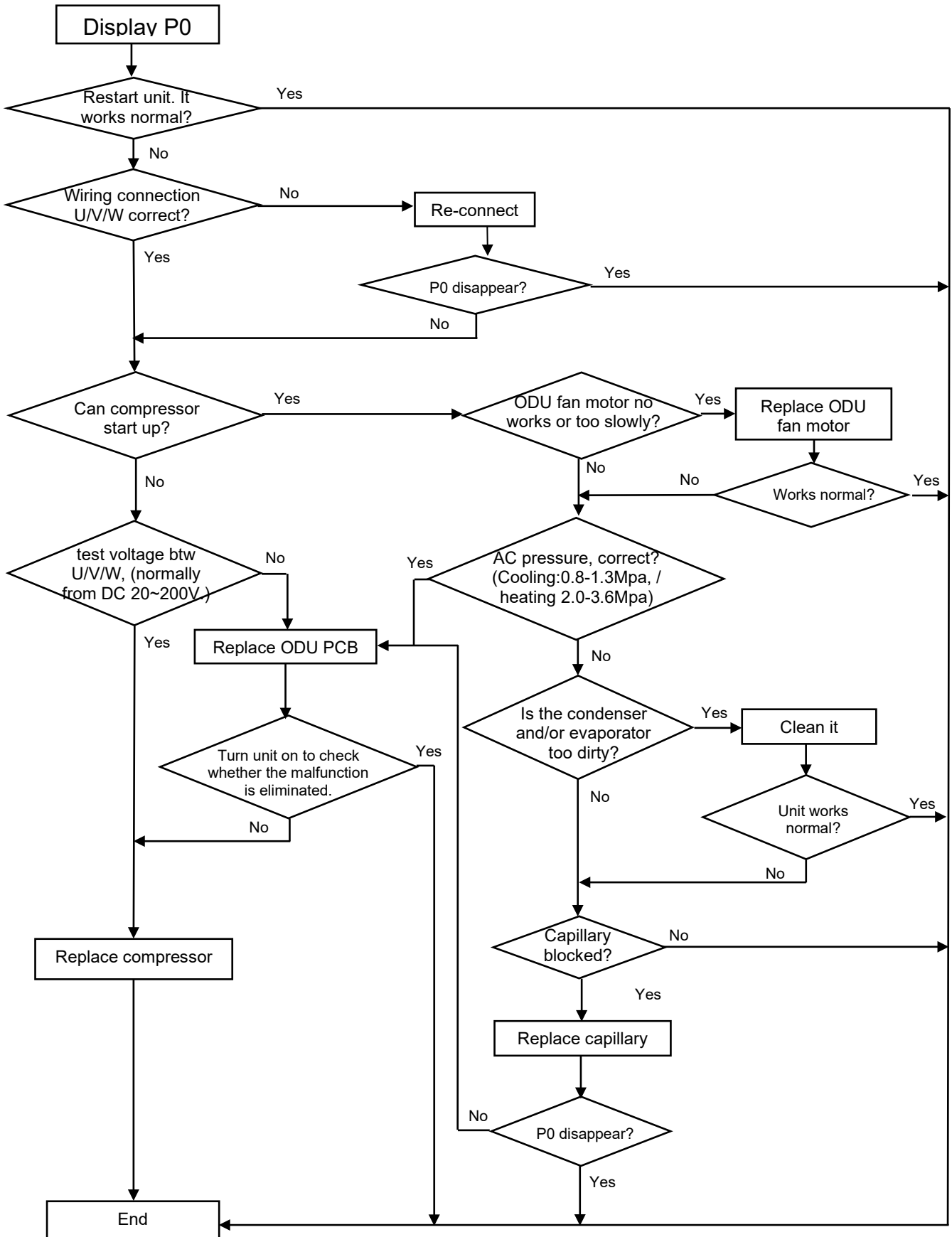
6.2.11 EU---Compressor phase current overcurrent protection

Compressor phase current protection is reported when phase current greater than 14A is detected for 3s consecutively.



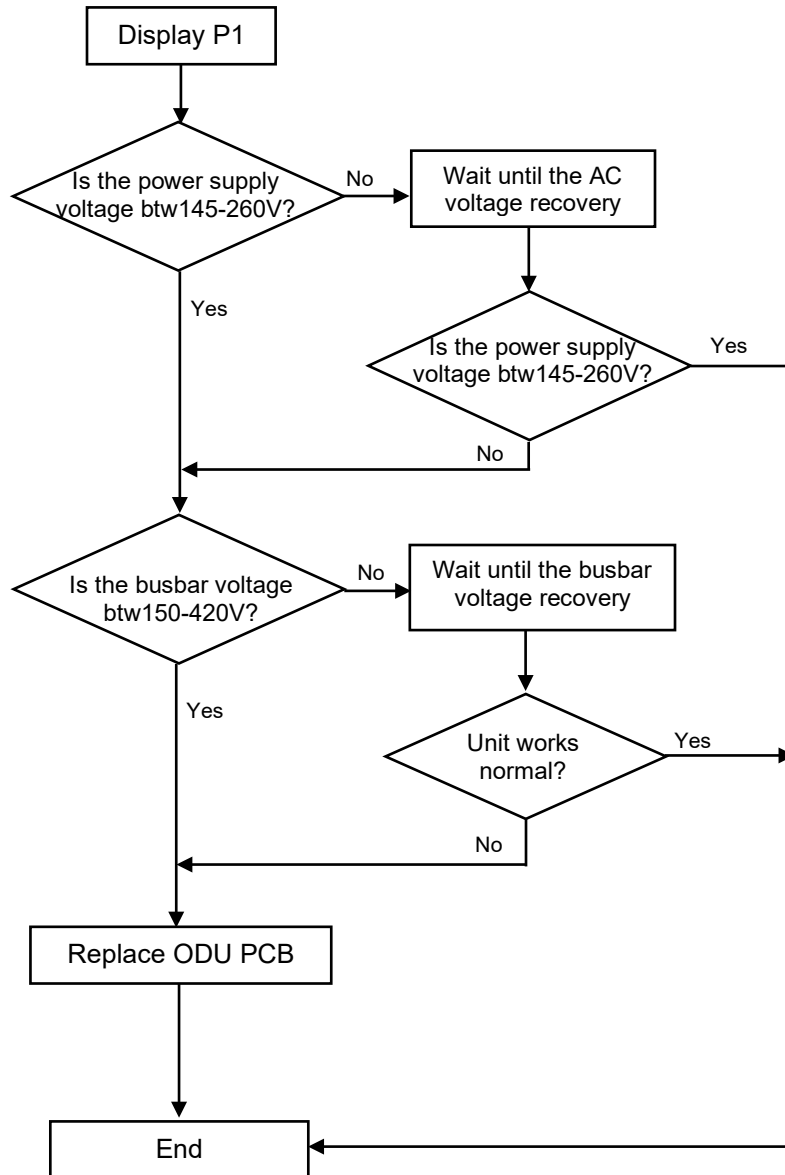
6.2.12 P0---IPM protection

When overheat or overcurrent for IPM, AC unit will display P0protection.



6.2.13 P1--- Over / under voltage protection

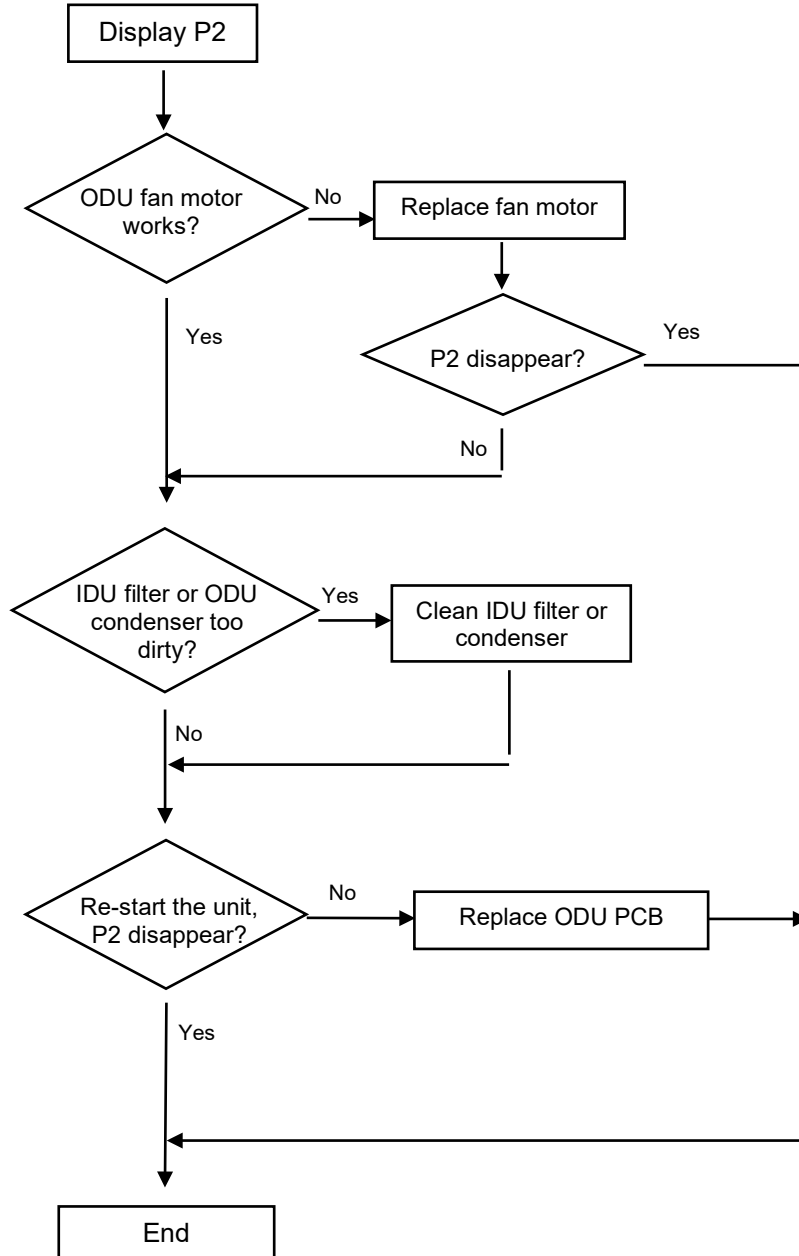
1. Test voltage between L & N, When the power supply $V > AC260V$ or $V < AC150V$, AC will display P1 protection, unit will recover back to previous status while $V > AC155V$.
2. Test voltage on the big size electrolytic capacitor of ODU PCB, When DC busbar voltage $V > DC420V$ or $V < DC150V$, unit will recover back to previous status while $DC190V < V < DC410V$



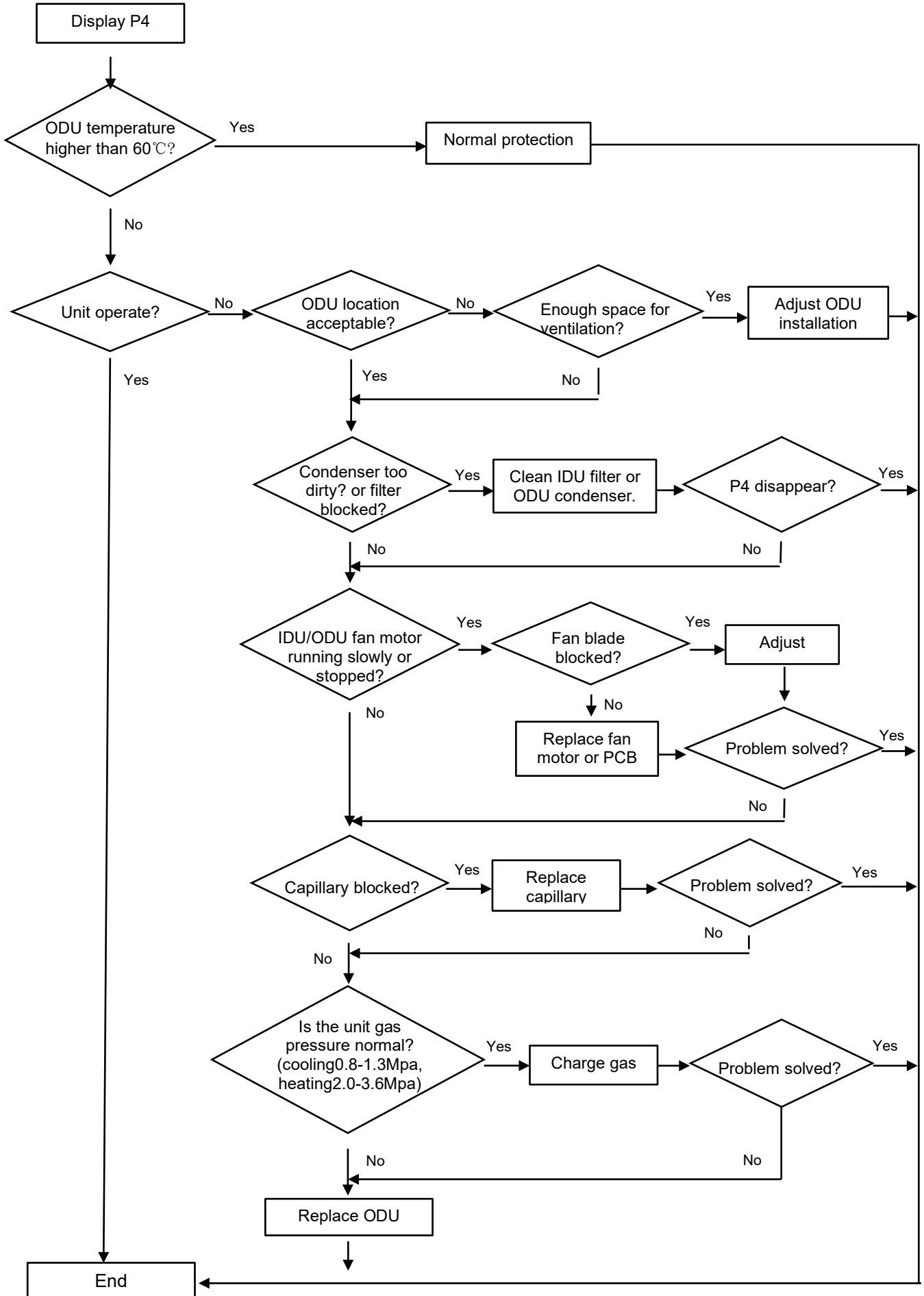
6.2.14 P2---Over Current protection

When the AC unit running current more than I_{max} , it will stop and display P2 protection.

Note: for different AC model, I_{max} has difference valve.

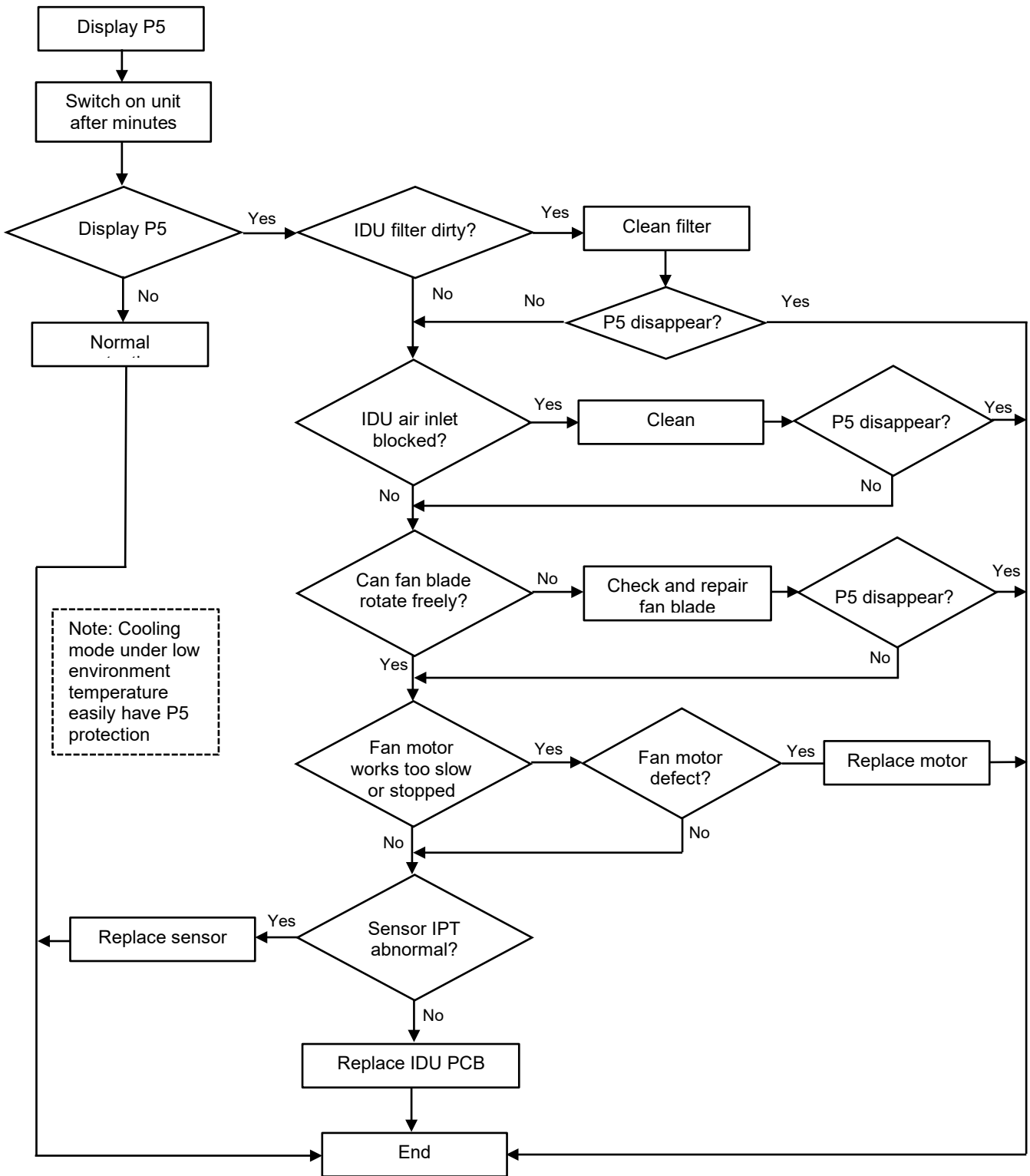


6.2.15 P4 ---ODU Discharge temperature overheating protection



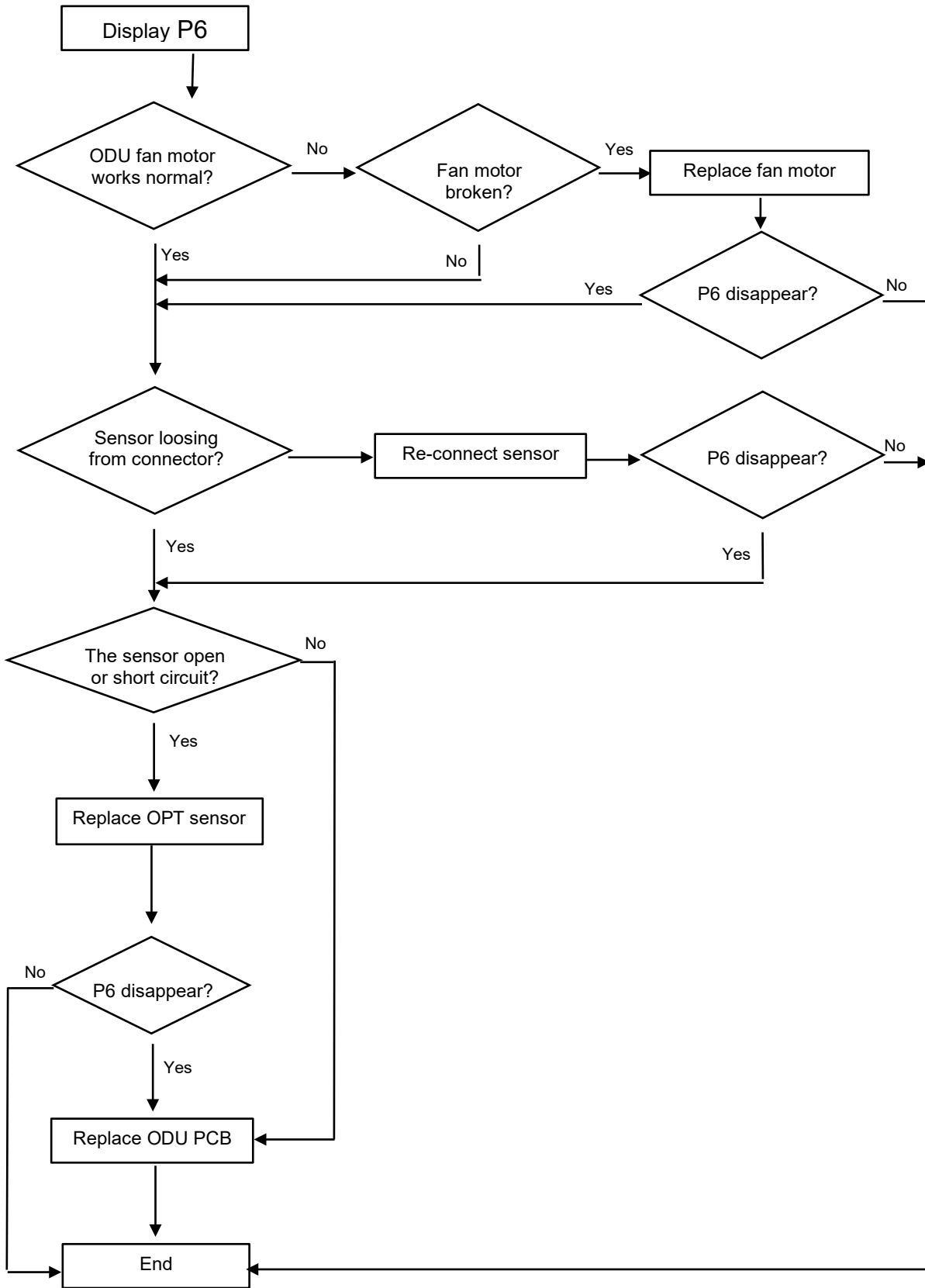
6.2.16 P5---Sub-cooling protection on Cooling/Dry mode

On Cooling or Dry mode, when IDU evaporator coil temperature $IPT < 1^{\circ}C$ continuously for 3 min after compressor start up for 6 min, CPU will switch off outdoor unit and show P5 failure code.



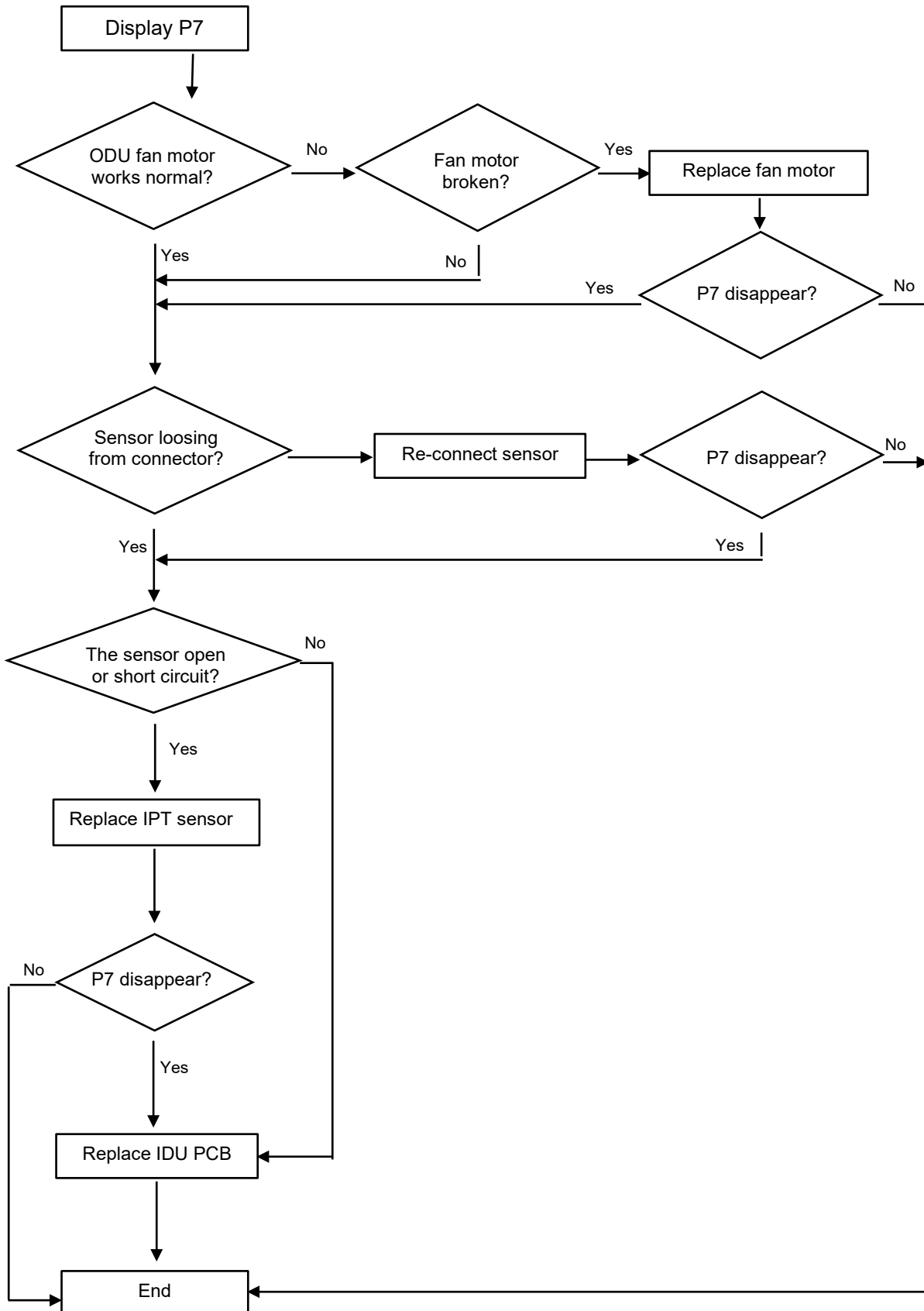
6.2.17 P6---Overheating protection on Cooling mode

On Cooling or Dry mode, when ODU condenser coil temperature $OPT \geq 62^{\circ}\text{C}$, MCU will switch off outdoor unit and show P6 failure code.



6.2.18 P7---Overheating protection on Cooling mode

On heating mode, when IDU evaporator coil temperature $IPT \geq 62^{\circ}C$, ODU PCB will switch off outdoor unit and show P7 failure code.



6.2.19 P8---Outdoor Overtemperature/Under-temperature protection

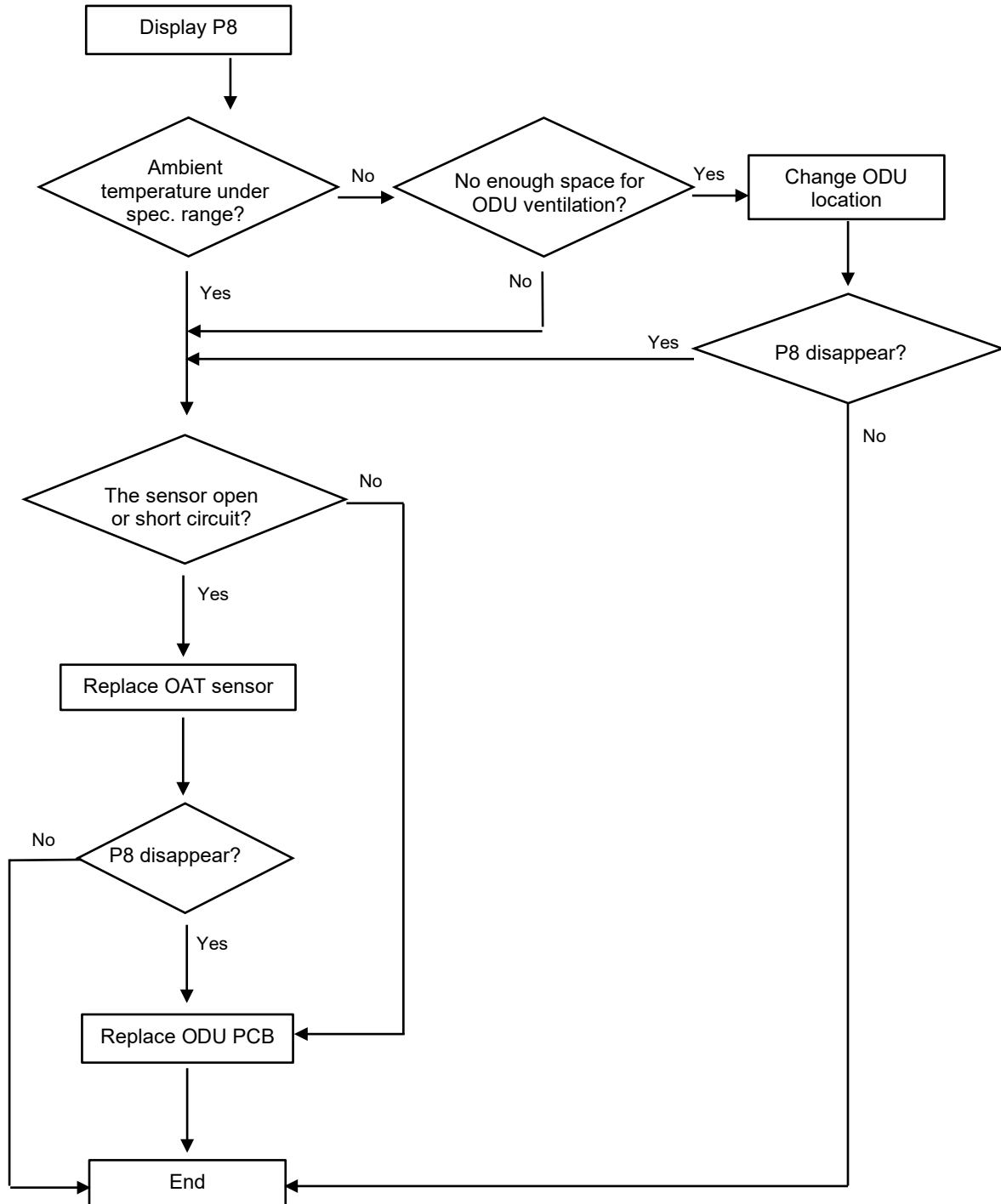
When environment temperature as below condition, the compressor will stop working, after 200s delay, the IDU will show P8 failure code.

(1). **On Cooling or Dry mode:** ODU ambient temperature: $OAT < -20^{\circ}\text{C}$ or $OAT > 63^{\circ}\text{C}$;

(2). **On Heating mode:**

a. $OAT \geq 40^{\circ}\text{C}$ or

b. $30^{\circ}\text{C} < OAT \leq 40^{\circ}\text{C}$ and $RT > 35^{\circ}\text{C}$



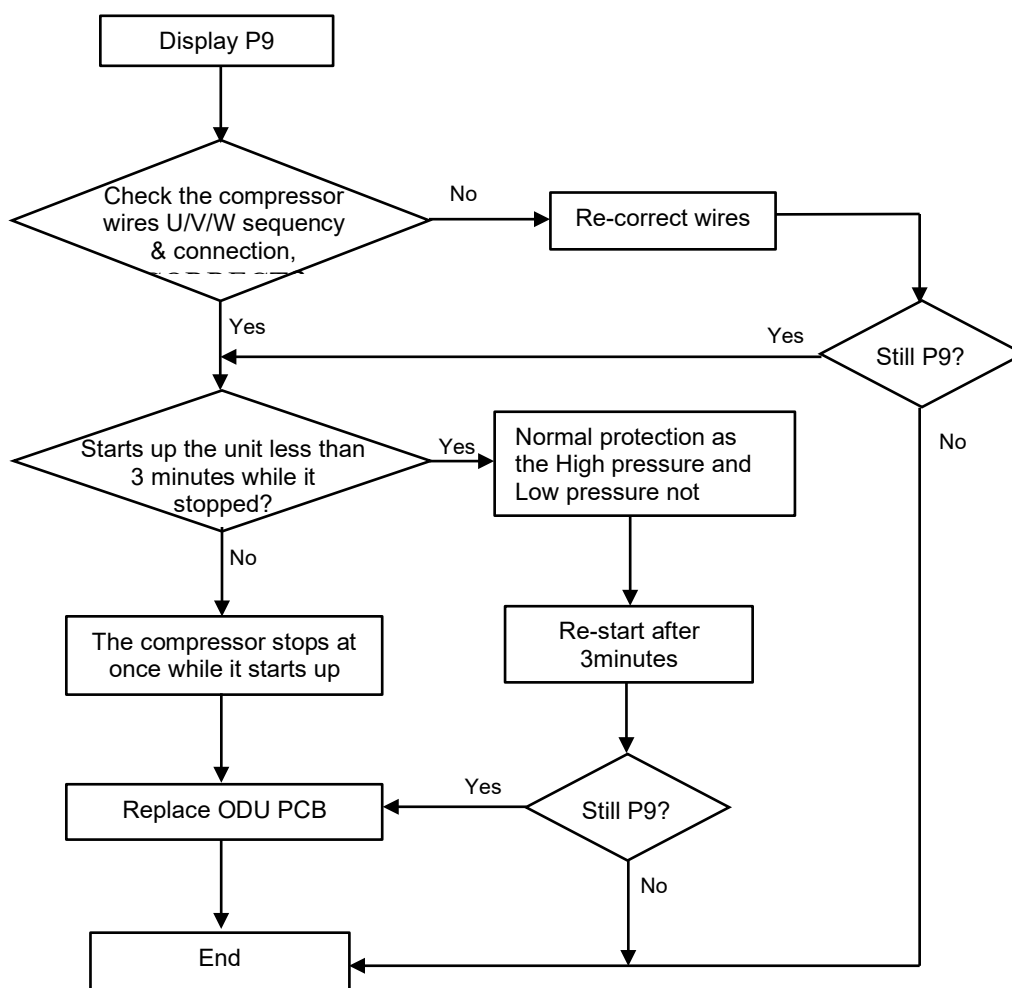
6.2.20 P9---The compressor driving protection (the compressor load abnormal)

When compressor start up or in the process of operation, if:

- (1). MCU can't test the feedback signal from compressor, or
- (2). Tested a abnormal signal from compressor, or
- (3). The compressor startup abnormal.

The outdoor unit will shut off, and show P9 protection.

(The unit will re-startup 6 times continuously, if it still can't work normal, then show P9 code)



6.2.21 PA--- Communication failure for TOP flow unit/ Preset mode conflict

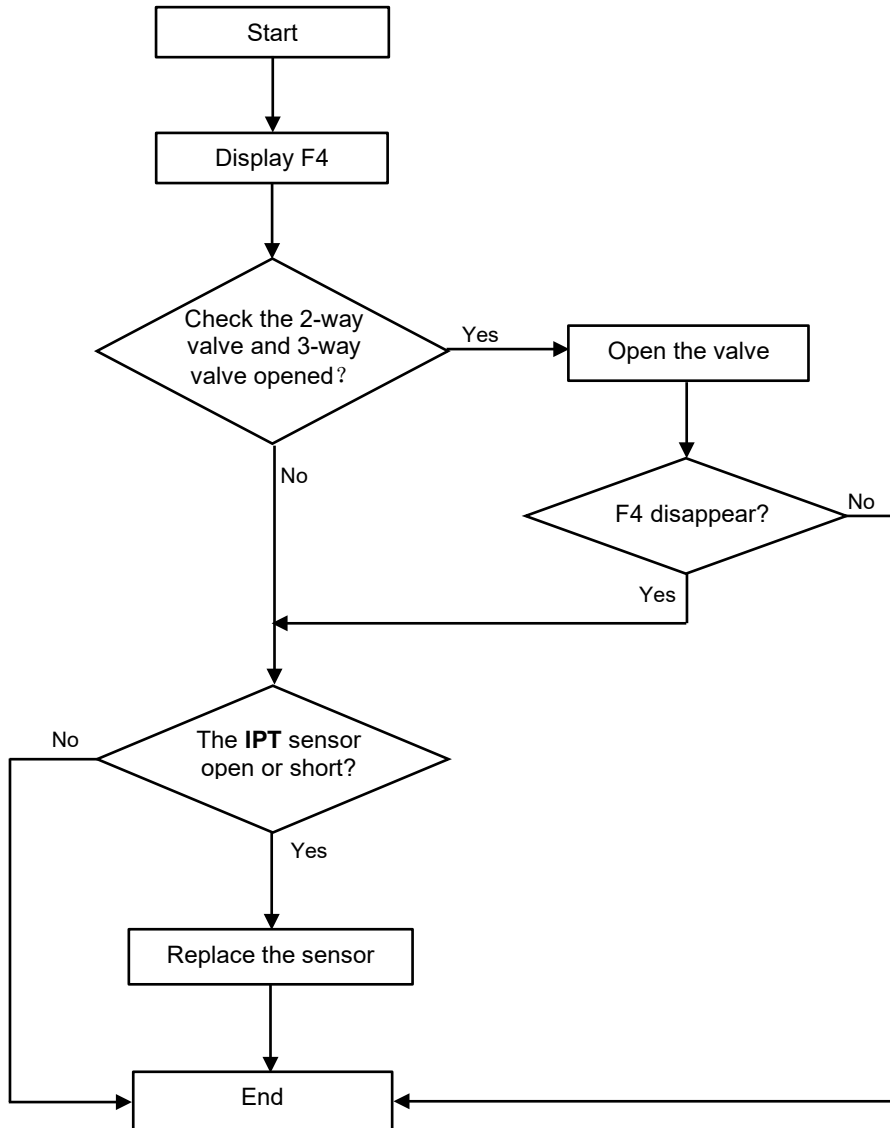
Cause: 1. If the first - turned - on indoor unit (with the highest priority) operates in cooling/dehumidification mode, other indoor units can only operate in cooling/dehumidification mode and air supply mode. Otherwise, the indoor unit operating in other modes will report a mode conflict fault, and it will not be allowed to start up, but this will not affect the indoor units that are already running.

2.If the first - turned - on indoor unit (with the highest priority) operates in heating mode, other indoor units can only operate in heating mode. Otherwise, the indoor unit operating in other modes will report a mode conflict fault, and it will not be allowed to start up, but this will not affect the indoor units that are already running.

Solution: Set all indoor units to the same mode.

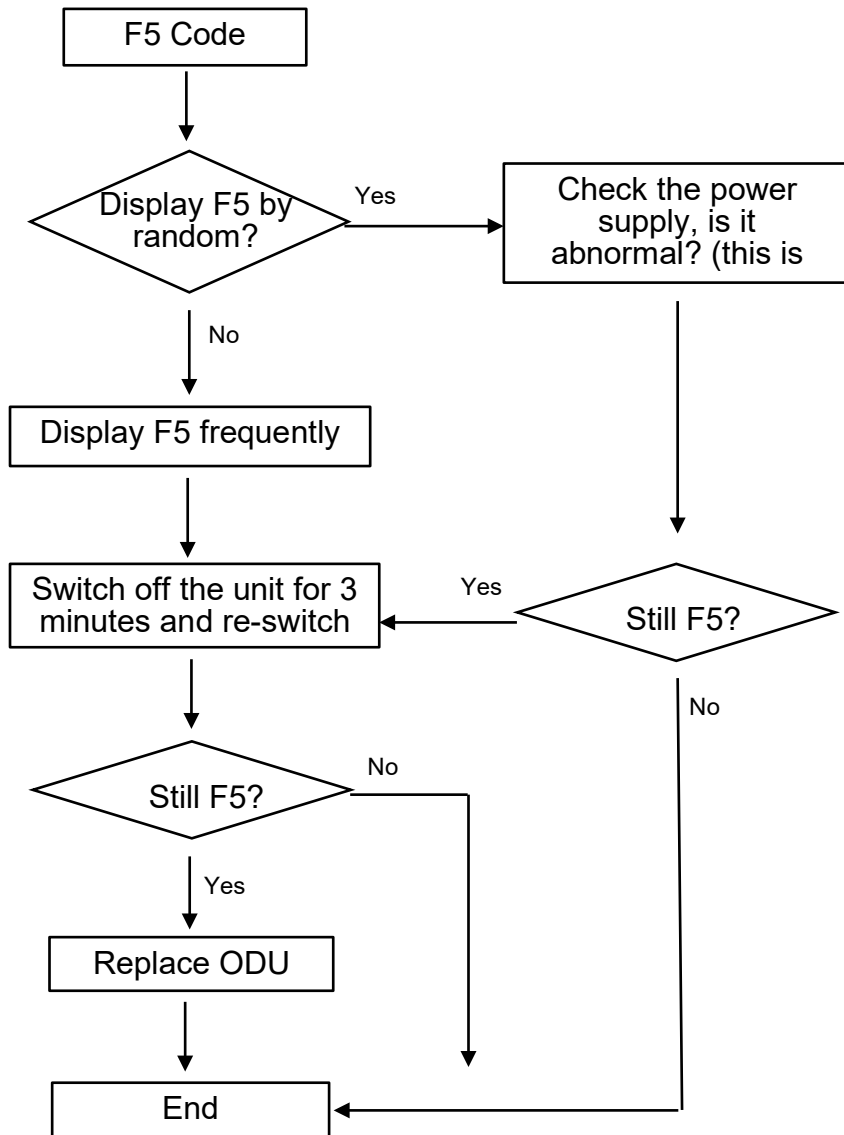
6.2.22 F4---Cooling system Gas flow abnormal protection

When compressor startup, unit will check the variation of IDU coil temperature. If there is mistake installer forgetting to open the 2-way or 3-way valve on ODU, the gas can't flow in the cooling system, it will show F4 protection.



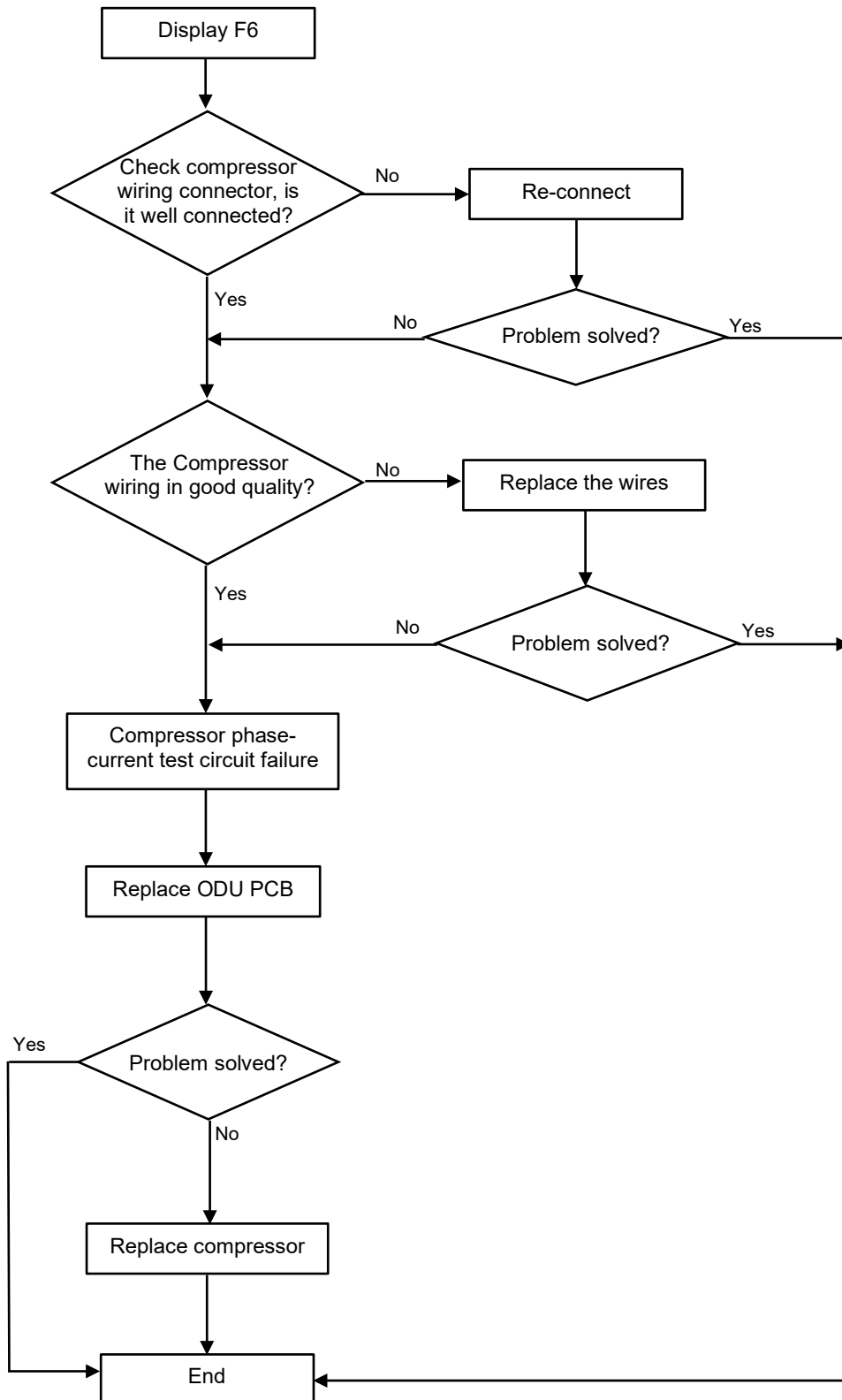
6.2.23 F5---PFC Protection

PFC Overcurrent protection



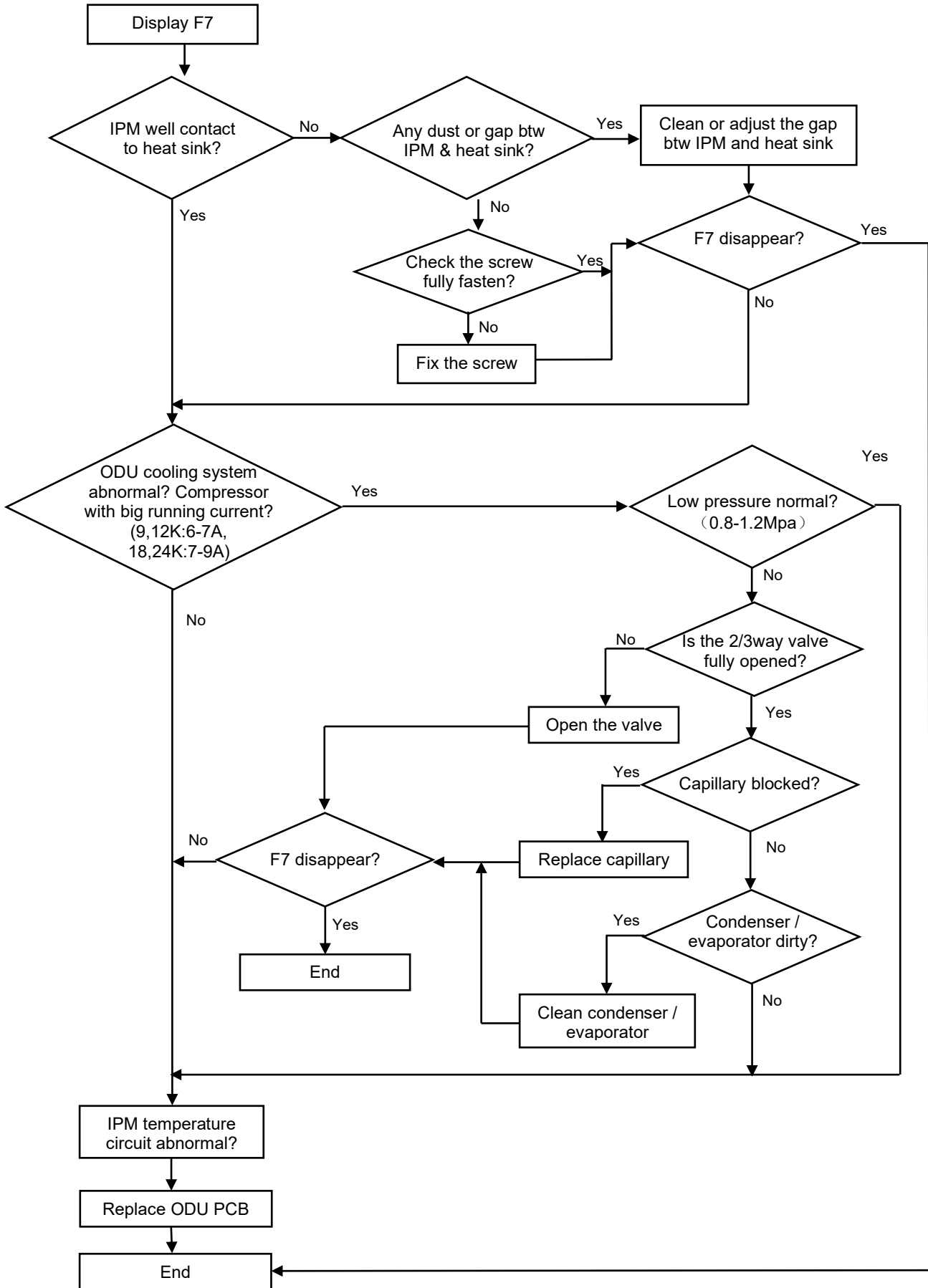
6.2.24 F6 The Compressor Lack of phase / Anti-phase protection.

If ODU PCB can't test one, or even three phases of compressor current, it will show F6 protection.



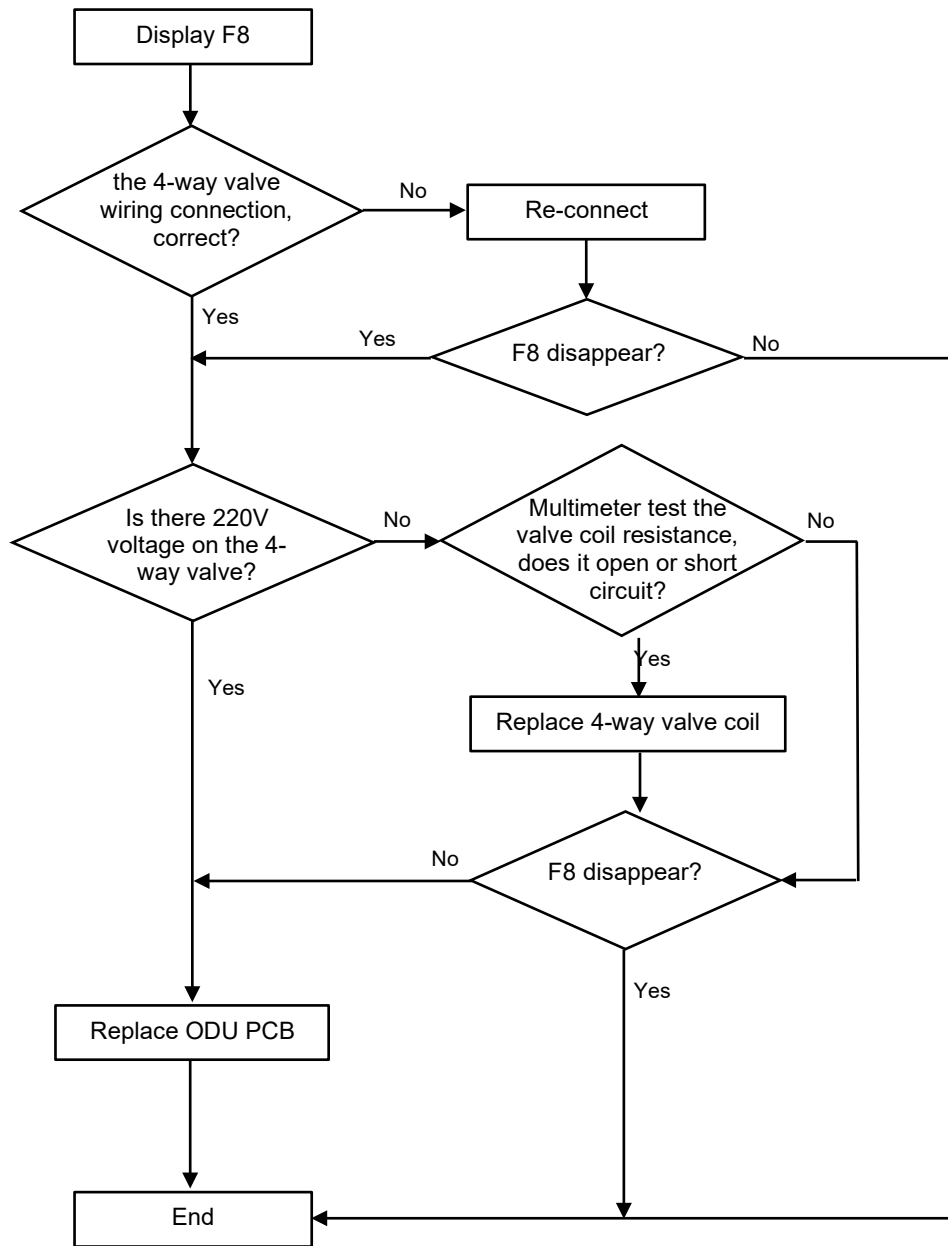
6.2.25 F7---Module temperature protection.

IPM overtemperature protection, when IPM temperature more than 95°C, it will show F7.



6.2.26 F8---4-Way Value Reversing abnormal

On heating mode, if IDU Coil temperature tested lower than Room temperature 5°C or even more after compressor works for 8min, unit will show F8 code.



6.2.27 F9--- The module temperature test circuit failure

Reason: The IPM module temperature test circuit failure.

Solution: Replace the ODU PCB.

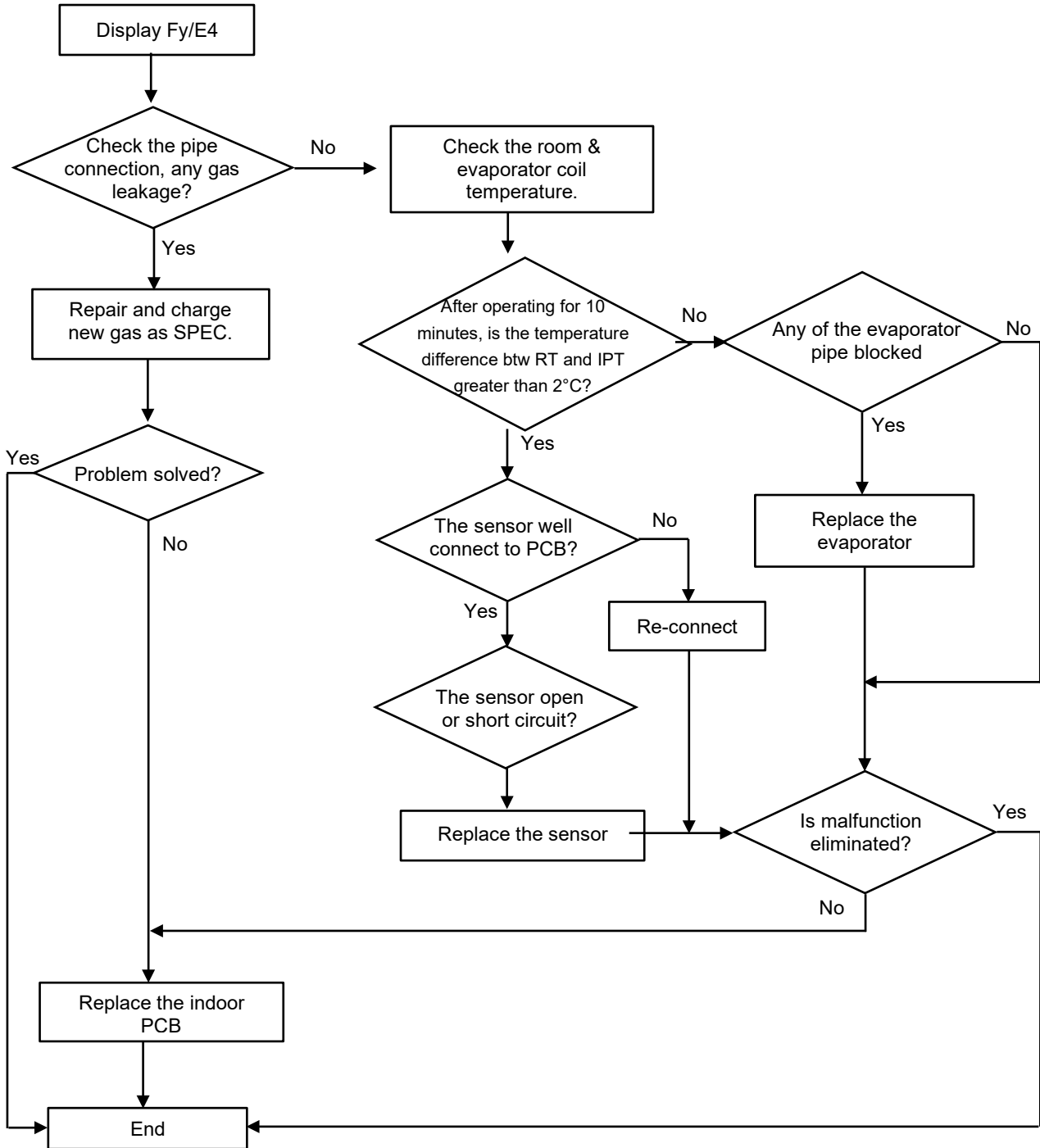
6.2.28 FA--- The compressor Phase-current test circuit failure

Reason: The compressor phase-current test circuit failure.

Solution: Replace the ODU PCB.

6.2.29 Fy or E4--- Gas leakage protection, AC Cooling system abnormal

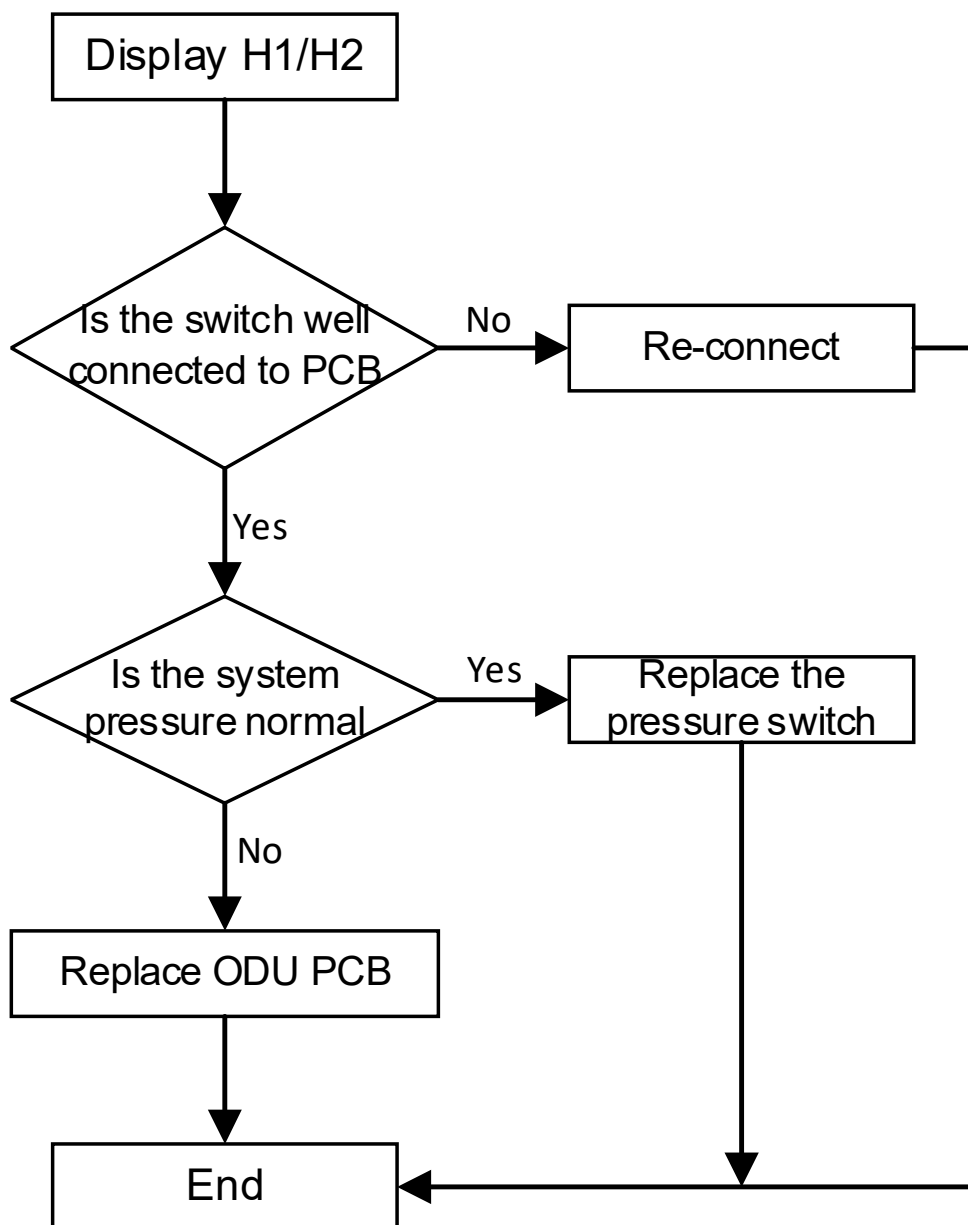
After compressor works in high frequency for 9 min, if the temperature on IDU evaporator & ODU condenser has only a little variation comparing previous, but, the compressor discharge temperature on high level, then the unit will show Fy or E4 failure code.



6.2.30 H1 or H2--- High pressure switch failure, Low pressure switch failure

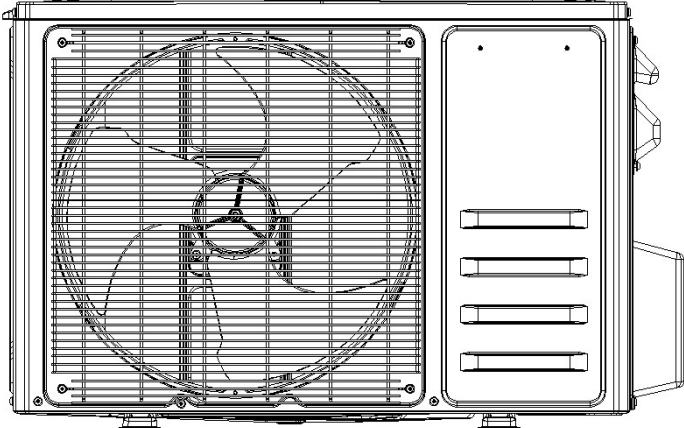
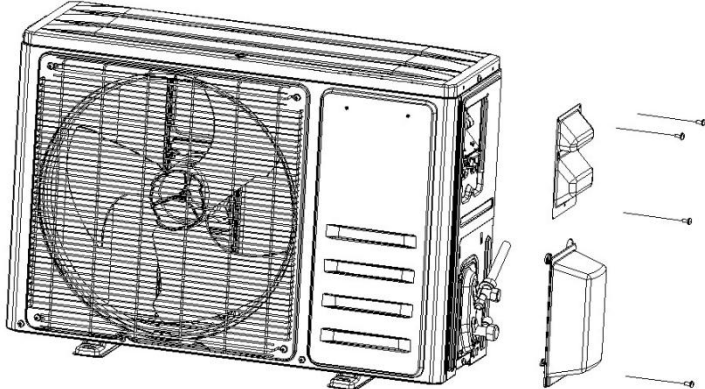
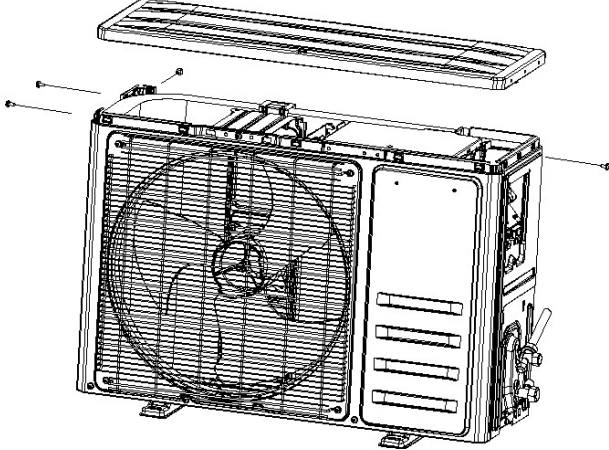
1.The high-pressure switch is installed at the discharge pipe of the system. When the pressure on the high-pressure side of the system exceeds the preset protection value, the protection mechanism is triggered, and the H1 fault code is displayed.

2.The low-pressure switch is installed at the suction pipe of the system. When the pressure on the low-pressure side of the system falls below the preset protection value, the protection mechanism is triggered, and the H2 fault code is displayed.

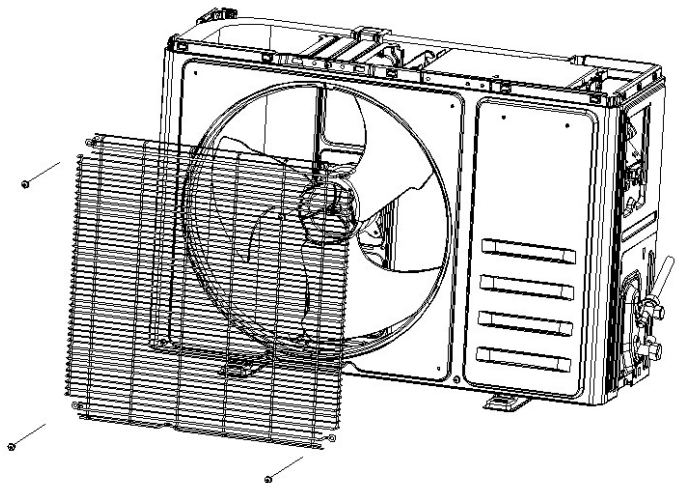
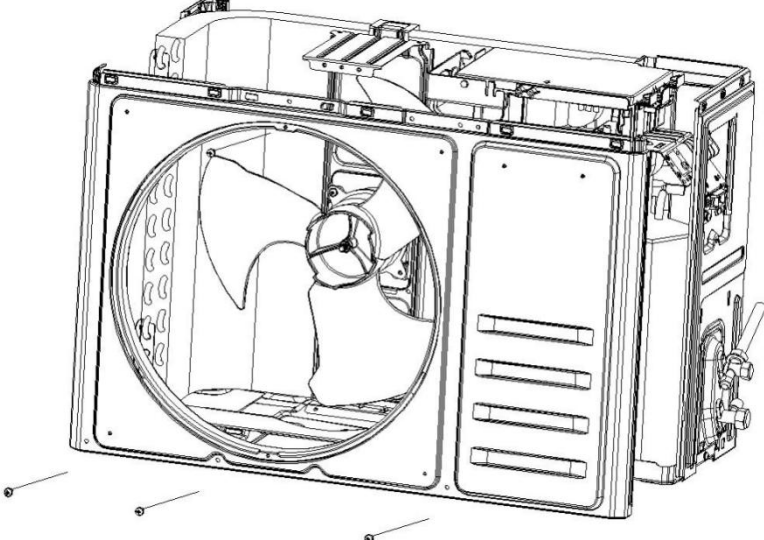


7. Unit Disassembly

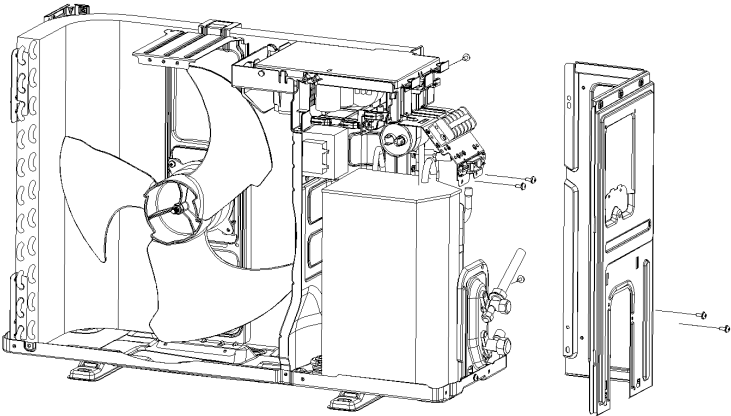
7.1. ODU Disassembly

Step	Reference picture
<p>Before disassembly</p>	
<p>Step 1: Remove the PCB Cover, valve Cover and top cover</p>	
<p>A</p> <ol style="list-style-type: none"> 1). Unfix one screw on the PCB cover, you can take the cover out from unit. 2). Unfix one screw on the valve cover, you can take it out easily. 	
<p>B</p> <p>Unfix screws btw the top cover with front panel, left and right plate, then you can take the top cover out.</p>	

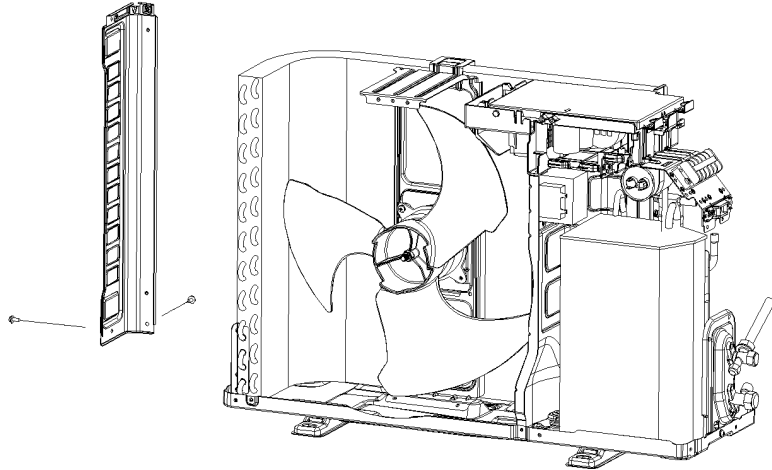
Step 2: Disassemble the Fan Guard and Front Panel

<p>A</p> <p>Remove the screws assembling the grille to the front panel and remove the grille.</p>	
<p>B</p> <p>Unfix screws on front panel with fan guard, ODU middle separate plate and base plate, uplift front panel you can take it out from unit</p>	

Step 3: Disassemble the Left and Right plate.

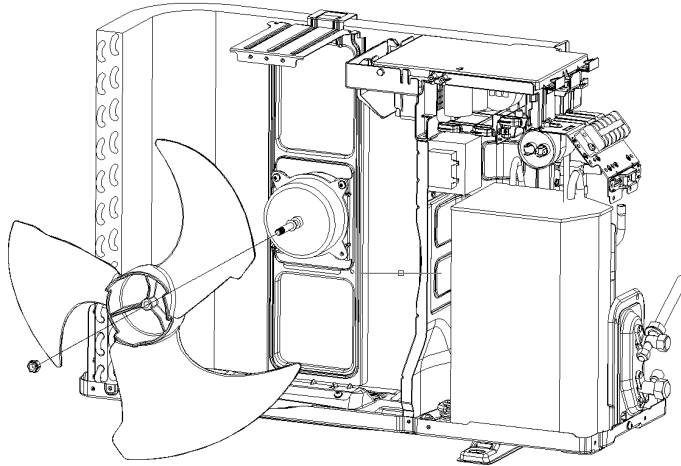
<p>A</p> <p>Unfix screws btw Right Plate and the Electric Box assembly, Valve Plate, Base Plate, then you can take the Right plate out.</p>	
---	--

B
 Unfix screws btw
 Left Plate, Base
 plate and
 Condenser plate,
 you can take the left
 plate out.



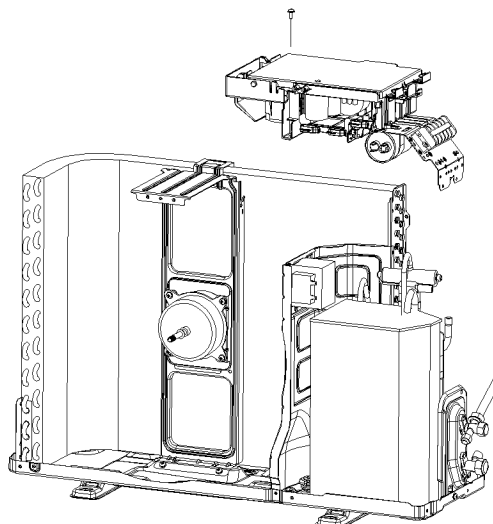
Step 4: Disassemble the Axis Fan Blade

A
 Unscrew the fan
 blade nut, and take
 the blade out.



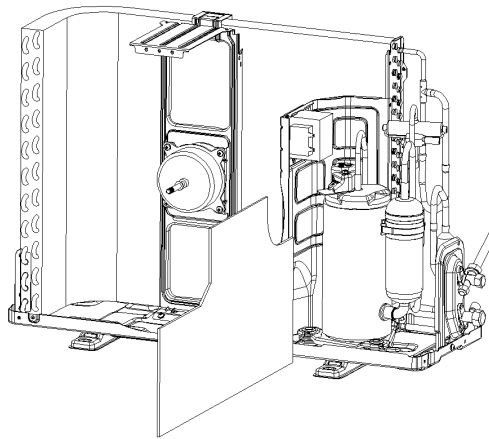
Step 5: Disassemble the electric box

Unfix screw btw
 Electric Box and
 motor supporter
 etc. loosen the
 wiring clamp, then
 you can take the
 control box out.



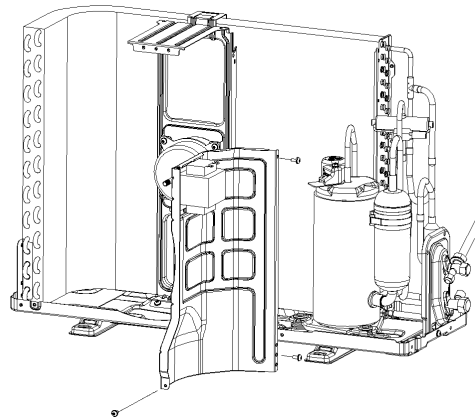
Step 6: take out the noise cotton

A Shown as picture to take the cotton out



Step 7: Disassemble the separate plate

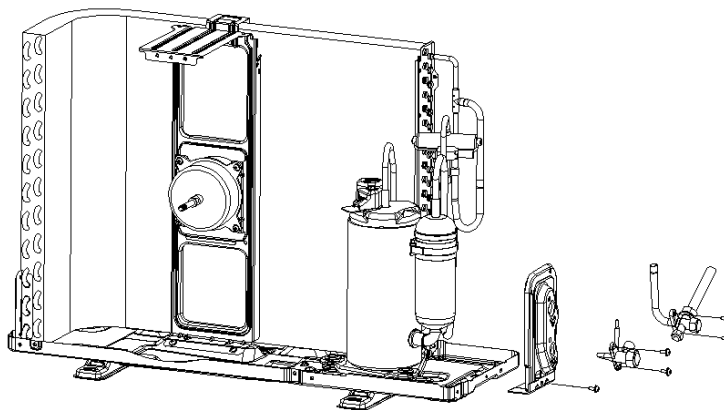
Unfix the screw btw separate plate and unit, and take it out



Step 8: Disassemble the 2 and 3-way valve

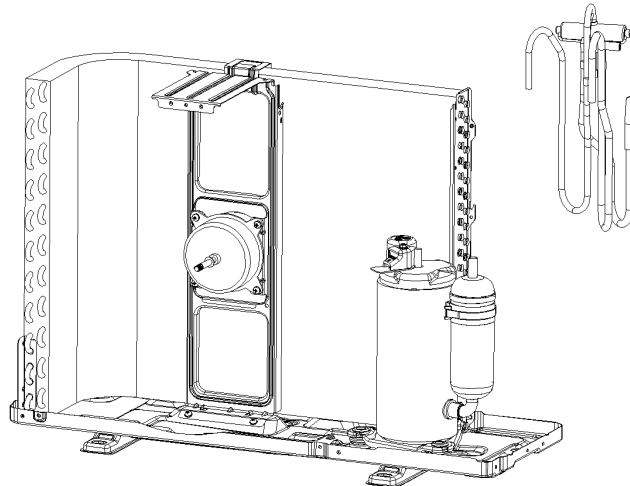
Unfix screw btw Valve plate and base, you can take the 2-way and 3-way valve out by welding.

Note:
 1). The welding can only place while no gas in the unit.
 2). Pay attention to the fire to prevent any injury.



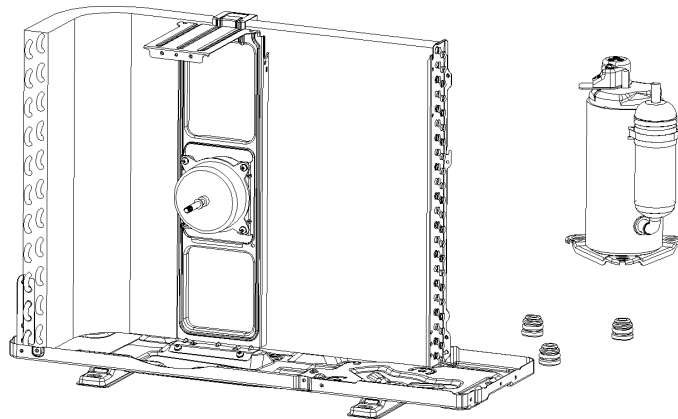
Step 9: Disassemble the 4-way valve assembly

Take the 4-way valve out from system by welding. Make sure no hurt to the compressor and nameplate, etc.



Step 10: Disassemble the compressor.

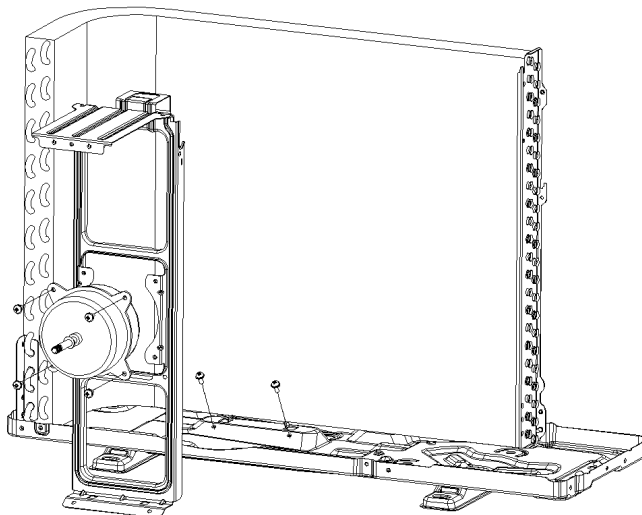
Unscrew the nuts and take the compressor out.



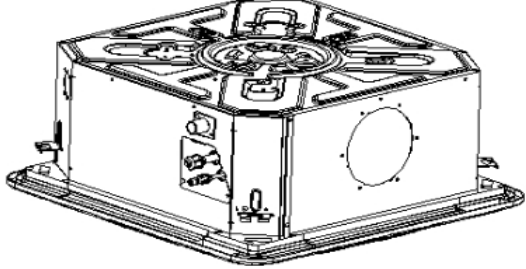
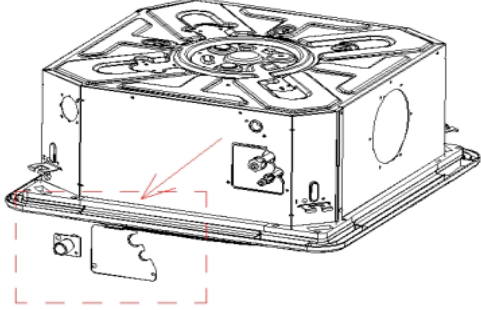
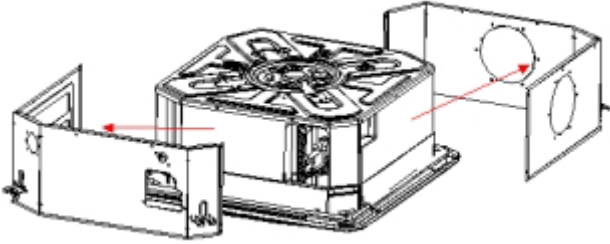
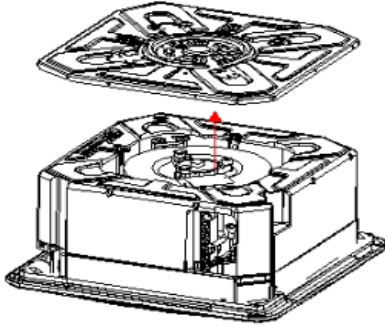
Step 11: Remove the fan motor and fan supporter.

Unfix screws btw fan motor with supporter, and supporter with base plate.

Note:
Pay attention to the motor wiring, it can't be taken out by force.

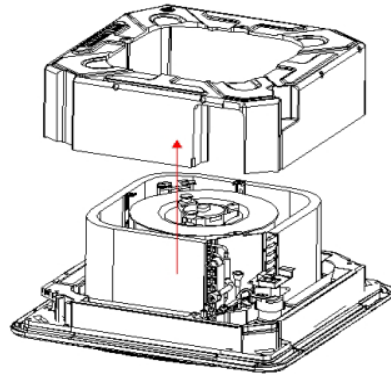


7.2.IDU Disassembly

CASSETTE	
STEPS	PICTURES
1. Pre-disassembly state	
Pre disassembly	
2. Remove seal plate and drain spout	
<p>A. Disassemble the seal plate</p> <p>B. Remove the drain spout</p>	
3. Remove the front and rear fascia assembly	
<p>A. Unfix screws and hooks of base plate, the front and rear panel assembly, and remove the front and rear fascia assembly from unit.</p>	
4. Dismantle the base assembly	
<p>The chassis components can be removed by removing the fixing screws between the base foam part, evaporator fix plate and base assembly.</p>	

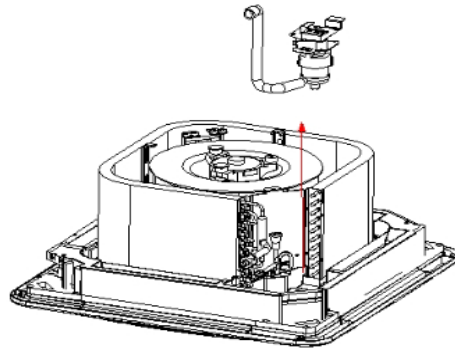
5. Remove the base foam assembly

Remove the base foam assembly according to the direction shown as the red arrow.



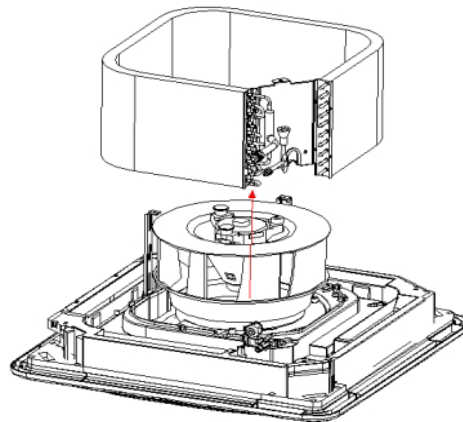
6. Disassemble the water pump assembly.

According to the direction shown as arrow to take the water pump out.



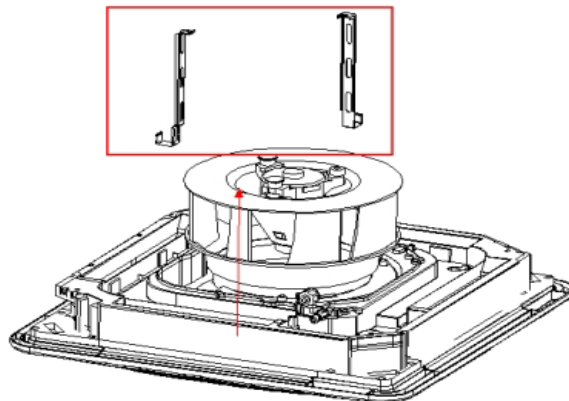
7. Dismantle the evaporator assembly

Shown as arrow to take the evaporator out.



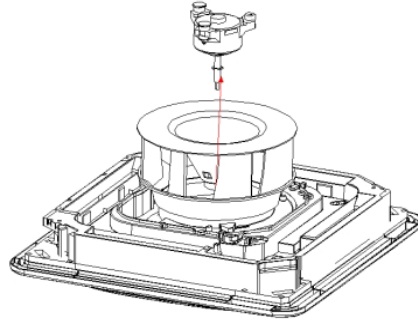
8. Remove the evaporator fixing plates

According to the direction shown as photo to remove the fixing plates.



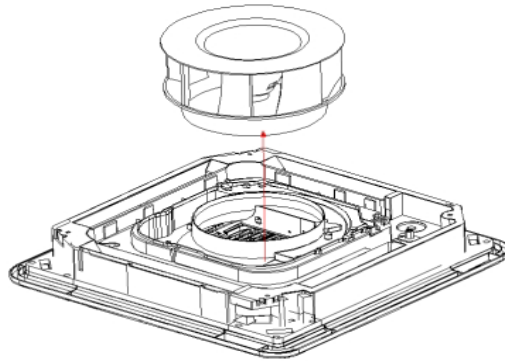
9. Disassemble the DC motor

Disassemble the DC motor as photo.



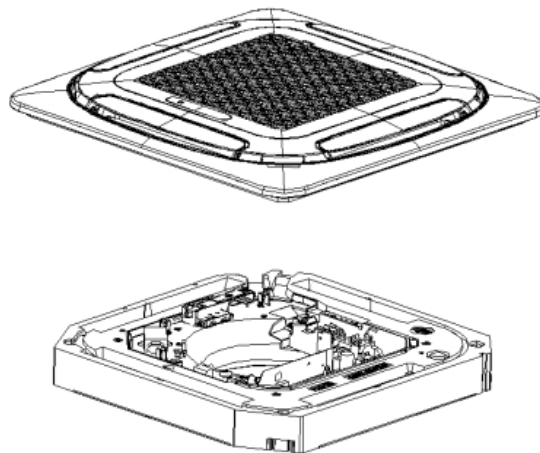
10. Remove centrifugal fan

Take the centrifugal fan out as photo.



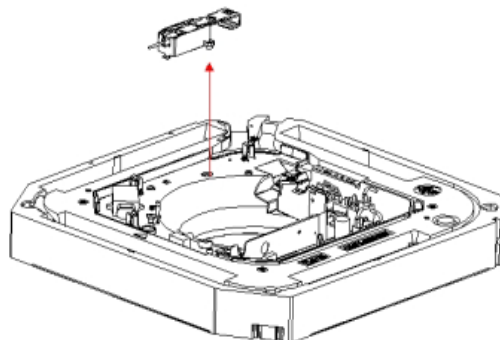
11. Remove the panel assembly

Unfix screws btw panel & drainage assembly, take the panel assembly out.



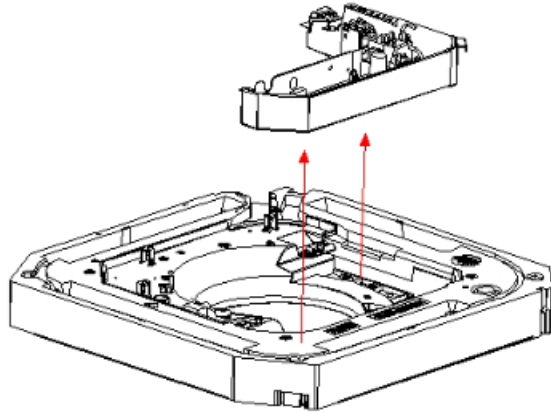
12. Remove USB/WI-FI module.

Unfix screw btw USB/WI-FI module and Air guide part. Take the module out.



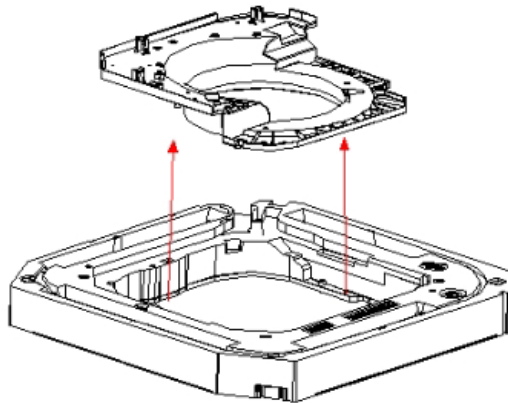
13. Remove the electric box assembly

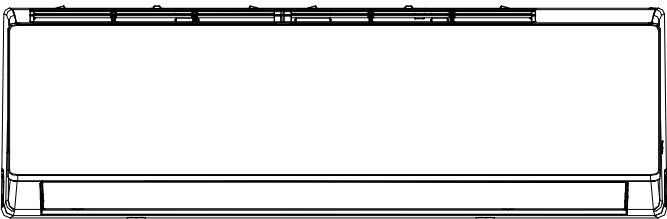
Unfix screws btw the electric control box, the water tray assembly and the air guide in the direction shown in the figure, and remove the electric control box assembly



14. Disassemble the air guide parts

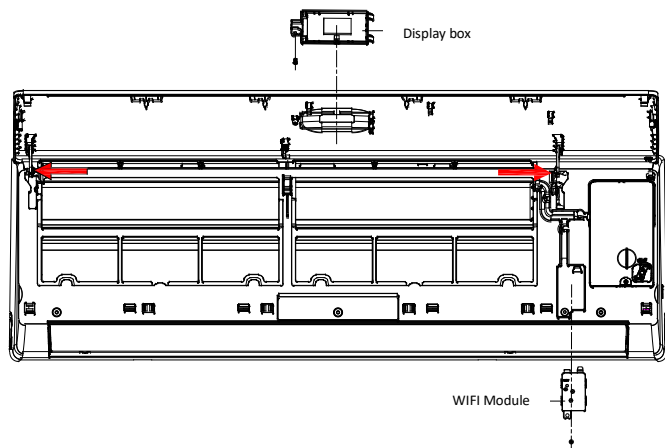
Unfix screws btw the guide parts and water tray, and take the air guide parts out.



X Series Mini Split	
Steps	Reference photo
1. Before disassembly	
The original status.	

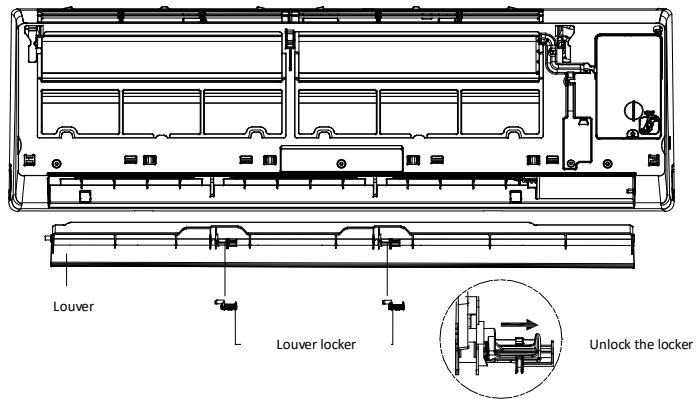
2. Disassembly front panel, display board and WIFI module.

- A. Open front panel.
- B. Remove one screw and take the display box out from the panel.
- C. Release panel axis which shown in red arrows out from middle frame and take the panel out.
- D. Unscrew and take the WIFI module out from middle frame.



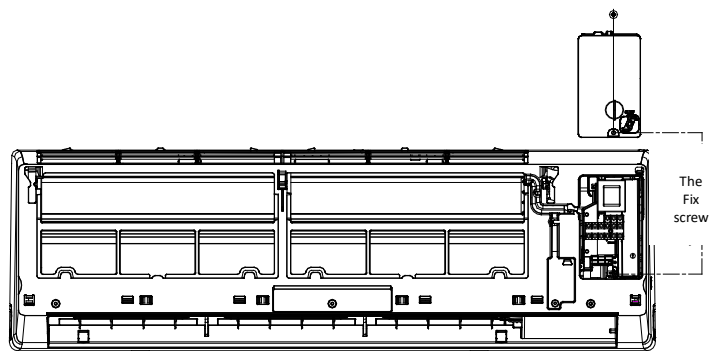
3. Remove the louver.

Unlock the louver lockers (clip), bend the louver slightly by hands and remove it out from middle frame and stepping motor.



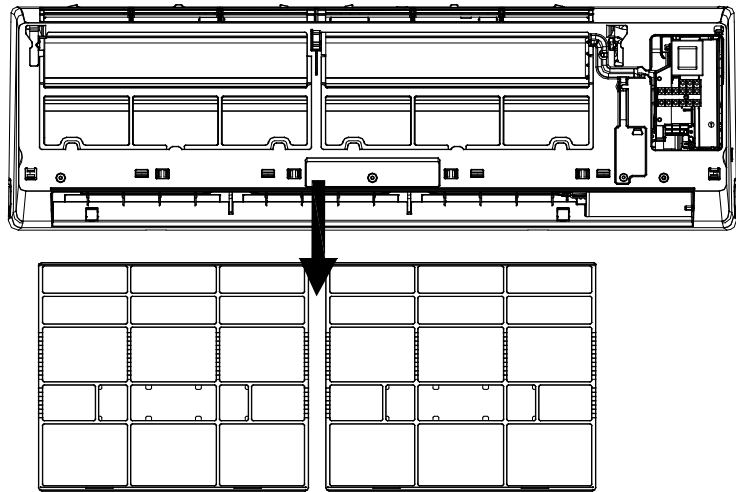
4. Remove the electric control box cover

Unfix one screw on the cover of electric box, and remove the cover.



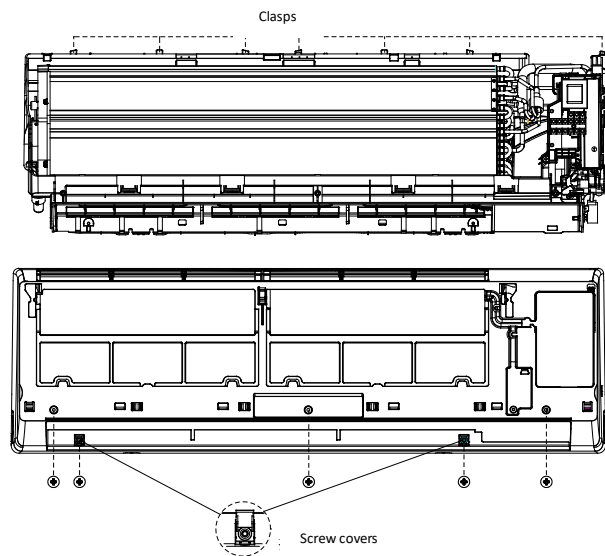
5. Remove the filter

Push the filter upwards a little, you can take it out from unit.



6. Disassembly the middle frame.

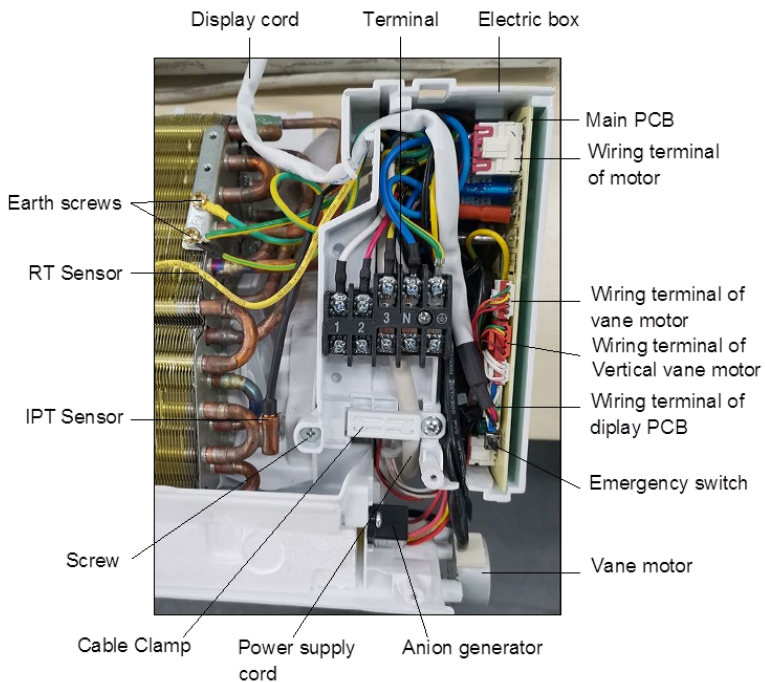
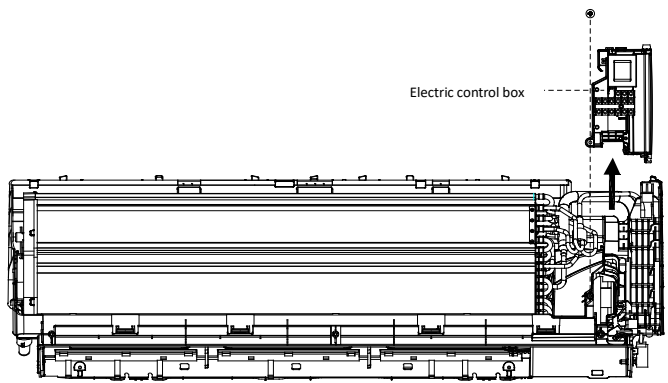
- A. Open the screw cover, and unfix screw with cross screwdriver.
- B. Remove the middle frame by losing the clasps with the unit base as shown in the picture and take the frame out.



7. Disassembly the electric control box.

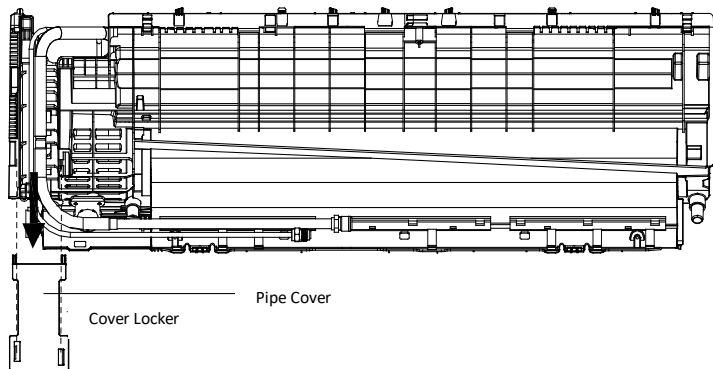
- A. Remove the RT & IPT out from evaporator;
- B. Unscrew all the earth ground wirings on the evaporator.
- C. Take all the connectors out from PCB.
- D. Unfix one screw of the control box with unit BASE FRAME, and take the control box out from unit.

Note: The right picture for your reference only, for the exact model the wiring connection may have a little difference.



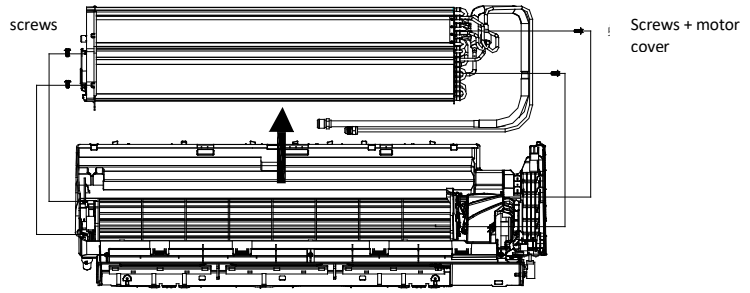
8. Remove the PIPE COVER

Loosing the lower edge of the PIPE COVER from BASE FRAME, and take the COVER out from unit.



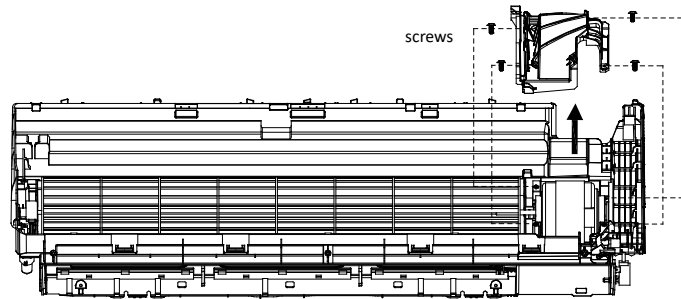
9. Disassembly the evaporator

- A. Unfix 2 screws of left side shown as picture.
- B. Unfix 2 screws of right side on motor cover/right support plate.
- C. Take the evaporator out from unit by uplifting the IUPUT/OUTPUT pipes slightly.



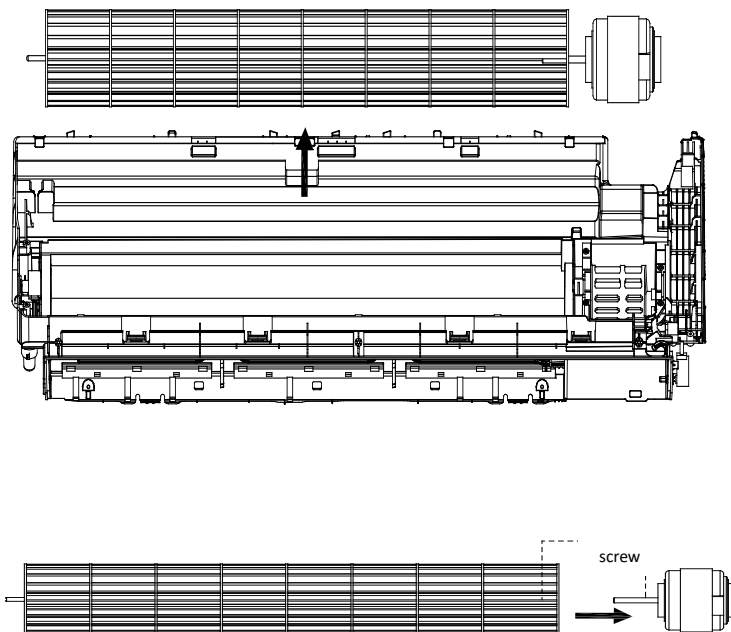
10. Remove the MOTOR COVER


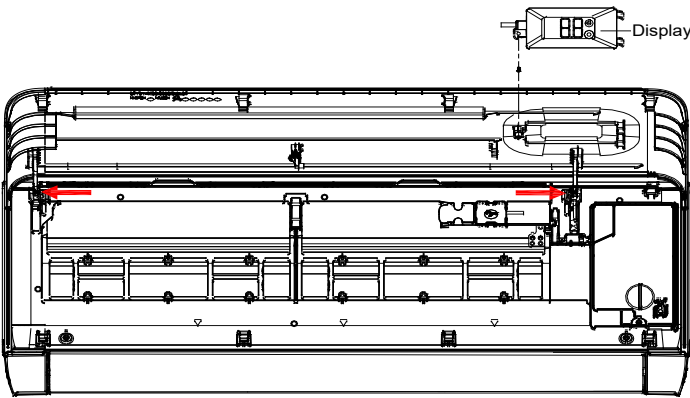
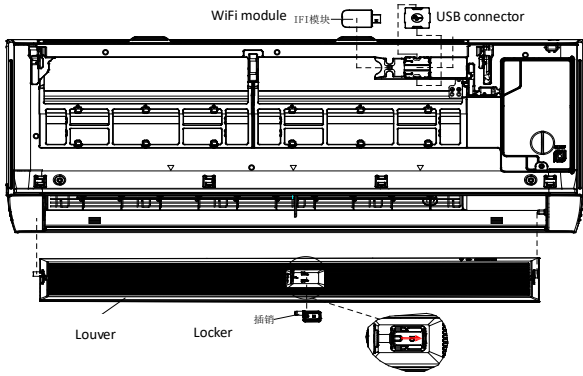
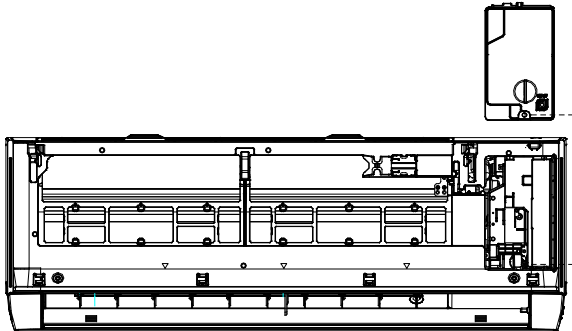
Unfix 4 screws on the motor cover with base frame.



11. Disassembly fan motor and fan blade.

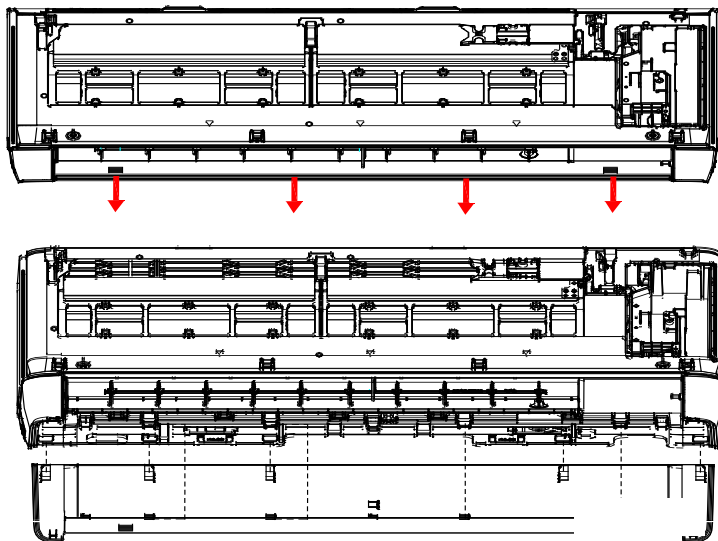
- A. Uplift the fan blade and fan motor, take the base frame out.
- B. Unfix one screw on the axis of fan motor, and you can get fan blade and fan motor separately.



T-pro Mini Split	
Steps	Reference photo
1. Before disassembly	
<p>The original status.</p>	
2. Disassemble <u>Front Panel</u>, <u>Display Board</u>.	
<p>A. Open front panel.</p> <p>B. Remove one screw and take the display box out from panel.</p> <p>C. Release panel axis which shown in red arrows out from mid frame and take the panel out.</p>	
3. Remove the <u>Louver</u> and <u>Wi-Fi Module</u>.	
<p>A. Unlock the louver lockers (clip), bend the louver slightly by hands and remove it out from mid frame. (Please keep the locker on louver).</p> <p>B. Remove the Wi-Fi module leftwards slightly from unit.</p> <p>C. Remove the Wi-Fi fixed cover and take the USB connector out.</p>	
4. Remove the <u>Electric Control box Cover</u>	
<p>Unfix one screw on the cover of electric box, and remove it.</p>	

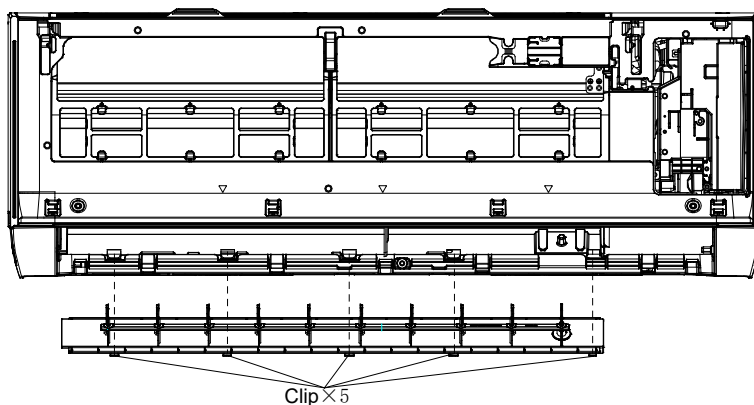
5. Disassemble the Bottom Plate.

Force apart the bottom plate left and right sides with hands towards as RED arrow, you can easily disassemble the bottom plate. (Note: there're buckles on bottom plate)



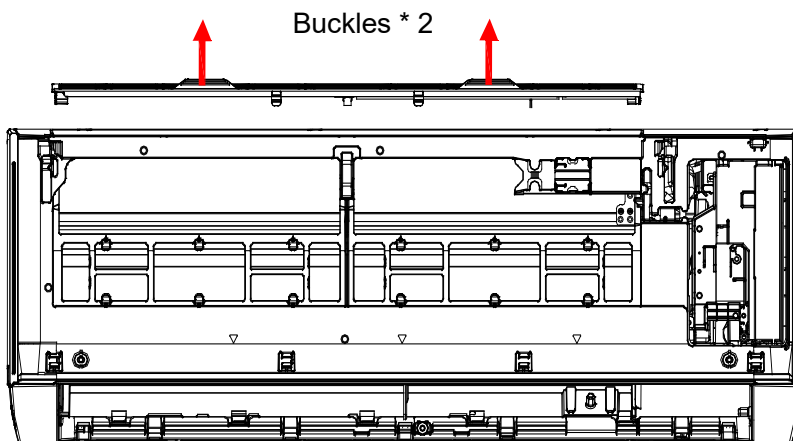
6. Disassemble the Flap Assembly

Force apart the flap assembly from base plate, you can take it out. (There are hooks to lock flap assembly with base plate.)



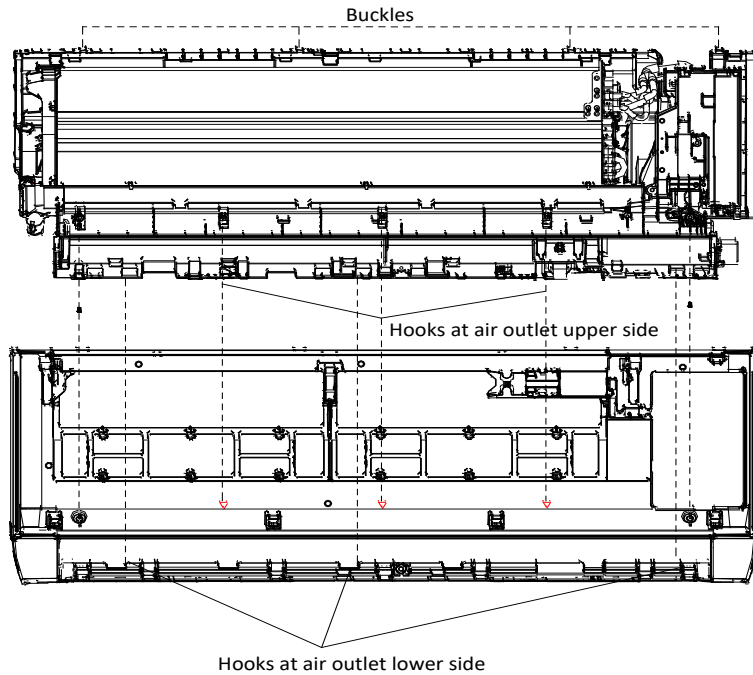
7. Remove the Filter Assembly

There are 2 buckles on filter assembly, bring it upwards slightly by hands to take it out from unit.



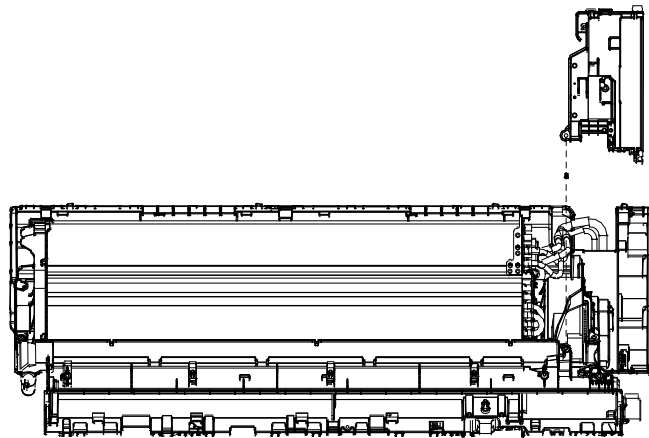
8. Disassemble the Mid Frame

- A. unfix 2 screws between mid-frame and base plate.
- B. Apart 4 buckles upside mid frame from base plate.
- C. Apart air outlet the upper side and lower side hooks from base plate shown as picture.
- D. Take the mid frame out from base plate.



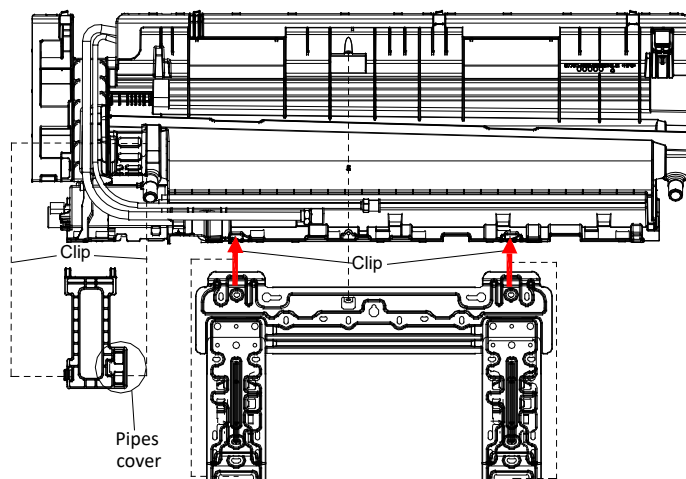
9. Disassemble the Electric Control Box

- A. Unfix screws btw electric box and base plate. And take the electric box out.



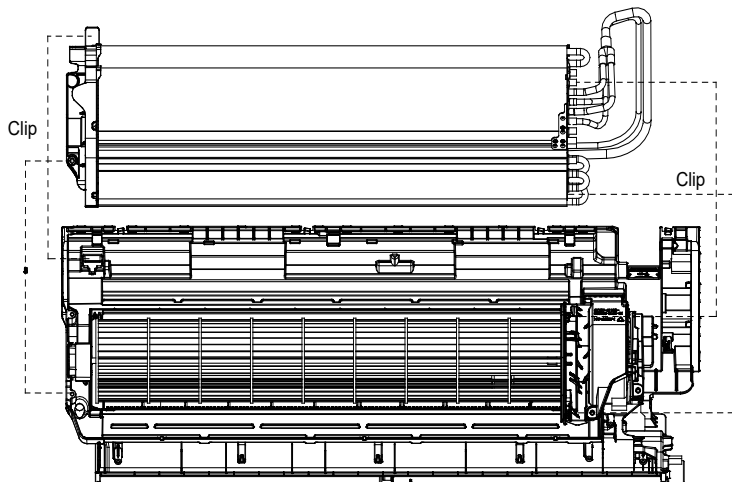
10. Remove Mounting Plate and the Pipes Cover.

- A. Unfix screw btw mounting plate and base plate.
- B. Press buckles shown as RED arrow, you can loose the mounting plate from unit base.
- C. Press pipes cover on locker points and force upwards by hand to take the cover out from base.



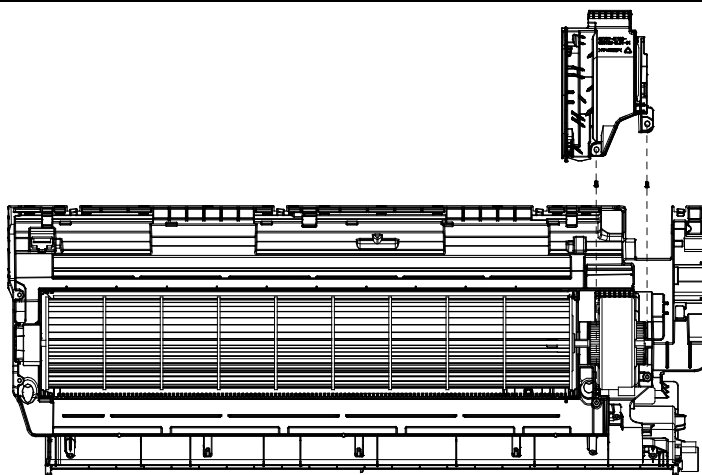
11. Disassemble Evaporator (EVP).

- A. Unfix screw btw EVP and base.
- B. Loose the EVP left locker with base, you can raise up EVP left side.
- C. When raise EVP left side up, along with the EVP right side loosen accordingly.



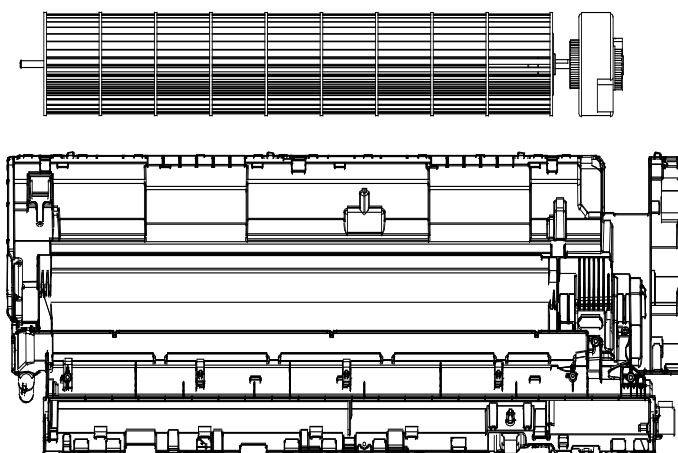
12. Disassemble the Motor Cover.

Unfix 2 screws btw motor cover and base, you can take the cover out.



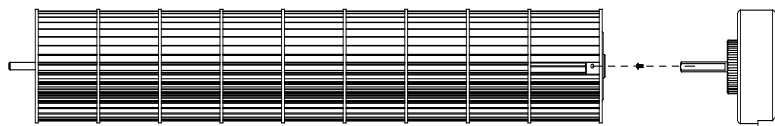
13. Take the Cross Fan and fan Motor out.

After remove the motor cover, you can take both the cross fan and motor out in the same time.



14. Disassemble Cross Fan and Motor.

Unfix the lock screw btw cross fan and motor, you can separate the both parts.



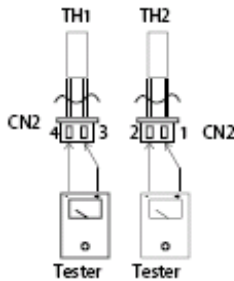
8.THERMISTOR TEMPERATURE CHARACTERISTICS

1. Indoor unit and outdoor exchange temperature and outside air temperature sensor temperature characteristics

TEMP. (°C)	R min (k Ohm)	R(t) (k Ohm)	R max (k Ohm)	TEMP. (°C)	R min (k Ohm)	R(t) (k Ohm)	R max (k Ohm)	TEMP. (°C)	R min (k Ohm)	R(t) (k Ohm)	R max (k Ohm)
-30	60.343	64.104	68.080	21	5.716	5.846	5.977	72	0.974	1.010	1.047
-29	57.157	60.666	64.375	22	5.498	5.620	5.742	73	0.944	0.980	1.016
-28	54.139	57.413	60.870	23	5.290	5.404	5.518	74	0.917	0.952	0.988
-27	51.301	54.355	57.579	24	5.091	5.198	5.305	75	0.890	0.924	0.959
-26	48.630	51.480	54.487	25	4.900	5.000	5.100	76	0.864	0.897	0.931
-25	46.115	48.776	51.582	26	4.713	4.811	4.909	77	0.839	0.871	0.904
-24	43.748	46.232	48.850	27	4.533	4.630	4.727	78	0.814	0.846	0.879
-23	41.517	43.836	46.279	28	4.362	4.457	4.552	79	0.791	0.822	0.854
-22	39.415	41.581	43.861	29	4.199	4.292	4.386	80	0.769	0.799	0.830
-21	37.432	39.456	41.585	30	4.042	4.133	4.225	81	0.746	0.776	0.807
-20	35.581	37.473	39.462	31	3.892	3.982	4.072	82	0.725	0.754	0.784
-19	33.798	35.565	37.421	32	3.748	3.836	3.925	83	0.705	0.733	0.762
-18	32.134	33.785	35.519	33	3.611	3.697	3.784	84	0.685	0.713	0.742
-17	30.561	32.105	33.725	34	3.479	3.564	3.649	85	0.666	0.693	0.721
-16	29.077	30.520	32.033	35	3.353	3.436	3.520	86	0.647	0.674	0.701
-15	27.673	29.023	30.437	36	3.232	3.313	3.395	87	0.629	0.655	0.682
-14	26.347	27.609	28.931	37	3.116	3.195	3.275	88	0.613	0.638	0.664
-13	25.092	26.273	27.508	38	3.004	3.082	3.161	89	0.595	0.620	0.646
-12	23.905	25.010	26.165	39	2.898	2.974	3.051	90	0.580	0.604	0.629
-11	22.782	23.816	24.896	40	2.795	2.870	2.946	91	0.563	0.587	0.611
-10	21.720	22.687	23.697	41	2.697	2.770	2.844	92	0.549	0.572	0.596
-9	20.713	21.618	22.562	42	2.604	2.675	2.748	93	0.534	0.557	0.580
-8	19.759	20.607	21.490	43	2.513	2.583	2.654	94	0.520	0.542	0.565
-7	18.855	19.649	20.475	44	2.426	2.494	2.564	95	0.506	0.528	0.550
-6	17.999	18.742	19.515	45	2.343	2.410	2.478	96	0.493	0.514	0.536
-5	17.187	17.883	18.606	46	2.263	2.328	2.395	97	0.480	0.501	0.522
-4	16.416	17.068	17.745	47	2.186	2.250	2.315	98	0.468	0.488	0.509
-3	15.685	16.296	16.930	48	2.111	2.174	2.238	99	0.456	0.476	0.497
-2	14.991	15.563	16.156	49	2.041	2.102	2.164	100	0.444	0.464	0.484
-1	14.332	14.868	15.423	50	1.972	2.032	2.093	101	0.433	0.452	0.472
0	13.766	14.270	14.792	51	1.906	1.965	2.025	102	0.422	0.441	0.460
1	13.111	13.582	14.069	52	1.844	1.901	1.959	103	0.412	0.430	0.449
2	12.546	12.987	13.443	53	1.783	1.839	1.896	104	0.401	0.419	0.437
3	12.008	12.422	12.849	54	1.724	1.779	1.835	105	0.391	0.409	0.427
4	11.497	11.885	12.284	55	1.668	1.721	1.776	106	0.381	0.399	0.416
5	11.012	11.375	11.749	56	1.614	1.666	1.719	107	0.372	0.388	0.406
6	10.548	10.889	11.239	57	1.562	1.613	1.665	108	0.362	0.379	0.395
7	10.109	10.428	10.756	58	1.512	1.562	1.613	109	0.353	0.369	0.386

8	9.689	9.988	10.295	59	1.463	1.512	1.562	110	0.344	0.360	0.376
9	9.289	9.570	9.858	60	1.417	1.465	1.514	111	0.335	0.351	0.367
10	8.909	9.172	9.441	61	1.372	1.419	1.467	112	0.327	0.342	0.357
11	8.545	8.792	9.044	62	1.328	1.374	1.421	113	0.319	0.333	0.349
12	8.199	8.431	8.667	63	1.287	1.332	1.378	114	0.311	0.325	0.340
13	7.870	8.087	8.308	64	1.247	1.291	1.336	115	0.303	0.317	0.332
14	7.554	7.758	7.965	65	1.208	1.251	1.295	116	0.296	0.309	0.324
15	7.254	7.445	7.639	66	1.171	1.213	1.256	117	0.288	0.302	0.315
16	6.968	7.147	7.329	67	1.135	1.176	1.218	118	0.281	0.294	0.308
17	6.694	6.862	7.032	68	1.100	1.140	1.181	119	0.274	0.287	0.301
18	6.433	6.590	6.749	69	1.067	1.106	1.146	120	0.268	0.280	0.293
19	6.183	6.331	6.480	70	1.035	1.073	1.112				
20	5.945	6.083	6.223	71	1.004	1.041	1.079				

Resistance at 25°C: wall split type 5 kΩ, cassette and duct 10kΩ.



TH1: indoor room temperature sensor and outside air temperature sensor

TH2: indoor exchange temperature sensor and outside exchange temperature sensor

TH4: Outdoor exchange temperature sensor and outside exchange temperature sensor

TH5: Outdoor ambient temperature sensor and outside exchange temperature sensor

Before measuring resistance, disconnect connectors as shown above.

2. Outdoor unit discharge sensor temperature characteristics

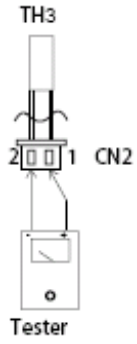
TEMP. (°C)	R min (k Ohm)	R(t) (k Ohm)	R max (k Ohm)	TEMP. (°C)	R min (k Ohm)	R(t) (k Ohm)	R max (k Ohm)	TEMP. (°C)	R min (k Ohm)	R(t) (k Ohm)	R max (k Ohm)
-30	288.879	337.780	386.68	23	20.114	21.847	23.579	76	2.733	2.835	2.937
-29	272.641	318.219	263.797	24	19.263	20.900	22.538	77	2.646	2.742	2.839
-28	257.401	299.897	342.392	25	18.453	20.000	21.547	78	2.561	2.653	2.745
-27	243.09*2	282.727	322.363	26	17.681	19.143	20.605	79	2.480	2.567	2.654
-26	299.654	266.633	303.613	27	16.945	18.327	19.710	80	2.401	2.484	2.567
-25	217.028	251.541	286.054	28	16.243	17.551	18.858	81	2.326	2.404	2.483
-24	205.162	237.383	269.604	29	15.575	16.811	18.047	82	2.183	2.253	2.324
-23	194.005	224.097	254.188	30	14.937	16.106	17.275	83	2.183	2.253	2.324
-22	183.513	211.625	239.736	31	14.328	15.434	16.541	84	2.115	2.182	2.249
-21	173.642	199.912	226.181	32	13.748	14.794	15.841	85	2.050	2.113	2.176
-20	164.353	188.909	213.465	33	13.194	14.184	15.175	86	1.984	2.047	2.109
-19	155.608	178.569	201.530	34	12.665	13.602	14.540	87	1.921	1.983	2.045
-18	147.373	168.850	190.326	35	12.160	13.048	13.935	88	1.860	1.921	1.982
-17	139.616	159.710	179.803	36	11.678	12.518	13.358	89	1.801	1.862	1.922

Air Conditioner Service Manual

-16	132.307	151.112	169.917	37	11.217	12.013	12.809	90	1.744	1.804	1.864
-15	125.417	143.022	160.627	38	10.777	11.531	12.248	91	1.690	1.749	1.808
-14	118.921	135.407	151.893	39	10.357	11.071	11.784	92	1.637	1.695	1.754
-13	112.794	128.236	143.679	40	9.955	10.631	11.307	93	1.586	1.644	1.701
-12	107.014	121.483	135.952	41	9.571	10.211	10.852	94	1.537	1.594	1.651
-11	101.559	115.120	128.680	42	9.203	9.810	10.417	95	1.490	1.546	1.602
-10	96.410	109.123	121.836	43	8.852	9.427	10.002	96	1.444	1.500	1.555
-9	91.548	103.469	115.391	44	8.516	9.061	9.606	97	1.400	1.455	1.509
-8	86.956	98.138	109.320	45	8.194	8.711	9.228	98	1.358	1.412	1.465
-7	82.617	93.108	103.600	46	7.886	8.376	8.866	99	1.317	1.370	1.423
-6	78.516	88.362	98.209	47	7.591	8.056	8.520	100	1.277	1.329	1.382
-5	74.640	83.883	93.126	48	7.309	7.750	8.190	101	1.239	1.290	1.342
-4	70.974	79.653	88.332	49	7.039	7.750	8.190	102	1.202	1.253	1.303
-3	67.507	75.659	83.810	50	6.780	7.176	7.572	103	1.166	1.216	1.266
-2	64.227	71.885	79.543	51	6.532	6.908	7.283	104	1.132	1.181	1.230
-1	61.123	68.319	75.515	52	6.294	6.650	7.007	105	1.099	1.147	1.195
0	58.184	64.948	71.712	53	6.066	6.404	6.743	106	1.066	1.114	1.162
1	55.402	61.761	68.120	54	5.847	6.168	6.489	107	1.035	1.082	1.129
2	52.766	58.746	64.726	55	5.638	5.942	6.247	108	1.005	1.051	1.098
3	50.269	55.894	61.519	56	5.437	5.726	6.015	109	0.976	1.022	1.067
4	47.903	53.195	58.488	57	5.244	5.518	5.793	110	0.948	0.993	1.038
5	45.661	50.641	55.621	58	5.059	5.319	5.580	111	0.921	0.965	1.009
6	43.543	48.222	52.910	59	4.882	5.129	5.376	112	0.895	0.938	0.981
7	41.517	45.931	50.345	60	4.711	4.946	5.180	113	0.869	0.912	0.955
8	39.604	43.761	47.917	61	4.548	4.770	4.993	114	0.845	0.887	0.929
9	37.789	41.704	45.619	62	4.39	4.602	4.813	115	0.821	0.862	0.904
10	36.066	39.755	43.443	63	4.240	4.440	4.641	116	0.798	0.839	0.879
11	34.431	37.907	41.383	64	4.094	4.285	4.475	117	0.776	0.816	0.856
12	32.787	36.154	39.430	65	3.955	4.136	4.317	118	0.754	0.794	0.833
13	31.403	34.491	37.580	66	3.821	3.993	4.164	119	0.733	0.772	0.811
14	30.001	32.914	35.826	67	3.693	3.855	4.018	120	0.713	0.751	0.789
15	28.670	31.417	34.163	68	3.569	3.723	3.878	121	0.694	0.731	0.769
16	27.404	29.995	32.586	69	3.450	3.596	3.743	122	0.675	0.712	0.749
17	26.200	28.645	31.090	70	3.335	3.475	3.614	123	0.657	0.693	0.729
18	25.056	27.363	29.671	71	3.225	3.357	3.490	124	0.639	0.675	0.710
19	23.967	26.145	28.324	72	3.119	3.245	3.370	125	0.622	0.657	0.692
20	22.931	24.988	27.044	73	3.017	3.136	3.225				
21	21.946	23.888	25.830	74	2.919	3.032	3.145				
22	21.007	22.842	24.676	75	2.824	2.932	3.093				

R—Resistance

Resistance at 25°C: 20 kΩ



TH3: Outdoor unit discharge pipe sensor

Before measuring resistance, disconnect connectors as shown above.

KLIMAIRE™ ≈

Mark of Superior Quality

7999 NW 81 Place Miami, FL 33195
Klimaïre Products Inc.

Tel: (305) 593 - 8358

E-mail: info@klimaïre.com

Website: www.klimaïre.com

Klimaïre parts and supplies are available online at: www.klimaïre.com

Scan the QR code
to visit our Help Center
for installation guides,
manuals, videos and more.



The Klimaïre logo is a registered Trademark of Klimaïre Products Inc.
Copyright 2026 Klimaïre Products Inc.

The design and specifications are subject to change without prior notice for product improvement. Consult with the sales agency or manufacturer for details.