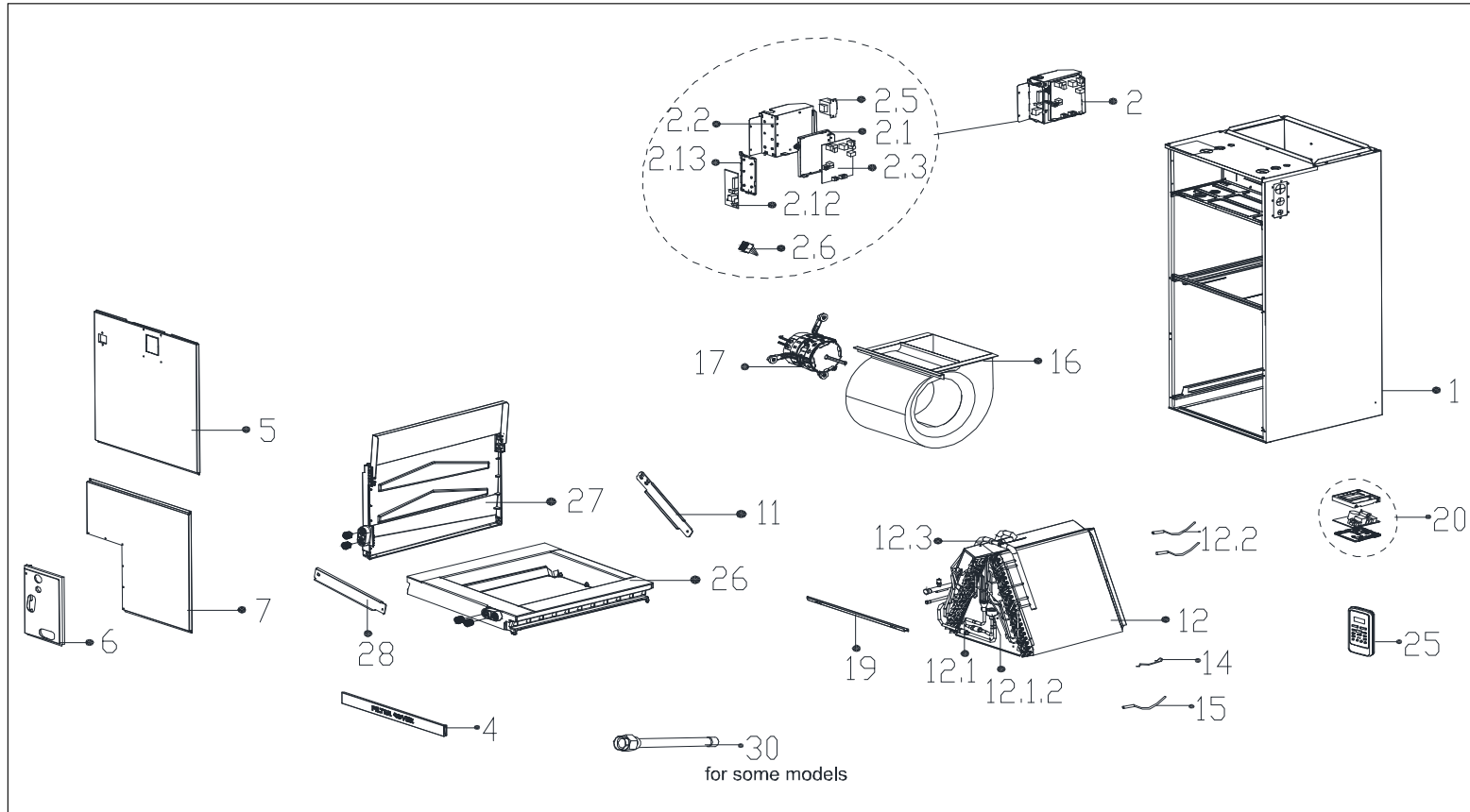


# EXPLODED DIAGRAM - PARTS VIEW

Sales Model: KIDF60H2-1S (62231-H8195005)

Power Supply:



This information is to be used by qualified HVAC technicians only and is subject to revision without notice

KIDF60H2-1S - Drawing No. D5DF230609

DATE 23-06

## KIDF60H2-1S - SPARE PARTS LIST

No.	Part Number	Description	Specifications	Stock No.	Qty.	Price	Remarks
1	12223100000891	Chassis assembly			1	\$365.42	
2	17223000009544	Duct electronic control box subassembly			1	\$294.53	
2.1	12123000000920	Installation plate for main board			1	\$14.10	
2.2	12223100000876	E-part box Subassembly			1	\$27.61	
2.3	17123000010342	Duct main control board subassembly			1	\$112.63	
2.5	11203103002659	Linear Transformer			1	\$74.50	TT220-EI66-24/167-F1
2.6	17400401000085	Wire joint			1	\$16.20	JXZ-PD3HG1-A
2.12	17122000059682	Data transfer module control board subassy			1	\$126.06	
2.13	12120300000522	Bracket of main control board			1	\$2.55	
3	12223000014172	Air filter			1	\$51.92	
4	12223100000660	Dust mesh			1	\$16.80	
5	12223100000871	Upper Cover Plate assembly			1	\$125.89	
6	12223100000711	Clamp for connecting pipe assembly			1	\$46.53	
7	12223100000872	Under Cover Plate assembly			1	\$123.42	
11	12223100000663	Bracket for Water collector			1	\$2.10	
12	15823100000744	Evaporator assembly			1	\$657.76	
12.1	15123000013349	Evaporator inlet pipe subassembly			1	\$226.43	
12.1.2	15500213000245	Electronic expansion valve			1	\$97.50	
12.2	11201007004863	Pipe temperature sensor			1	\$20.28	
12.2	11201007003437	Pipe Temperature Sensor			1	\$5.10	
12.3	15123000013348	Evaporator outlet pipe subassembly			1	\$235.05	
15	11201007004864	Room Temperature Sensor			1	\$10.80	

This information is to be used by qualified HVAC technicians only and is subject to revision without notice

KIDF60H2-1S - Parts List No. P2DF230609

Above prices are subject to S&H charges

DATE 23-06

## KIDF60H2-1S - SPARE PARTS LIST

No.	Part Number	Description	Specifications	Stock No.	Qty.	Price	Remarks
16	12200101000007	Fan assembly			1	\$193.05	LX-279*271*12.7-51J-C
17	11002015015863	Brushless DC Motor			1	\$549.26	ZKFD-750-8-1-1
19	12223100000668	press strip			1	\$15.72	
20	17317100A36516	Wired controller			1	\$186.83	
25	17317000A66087	Remote controller			1	\$33.66	
26	12123100000027	Main Water collector assembly			1	\$155.55	
27	12123100000023	Deputy Water collector assembly			1	\$119.26	
28	12223100000632	water butt dish support board			1	\$6.30	
30	15123000012948	Evaporator connecting pipe subassembly			1	\$17.76	
30	15123100000608	Evaporator connecting pipe subassembly			1	\$71.50	

This information is to be used by qualified HVAC technicians only and is subject to revision without notice

KIDF60H2-1S - Parts List No. P2DF230609

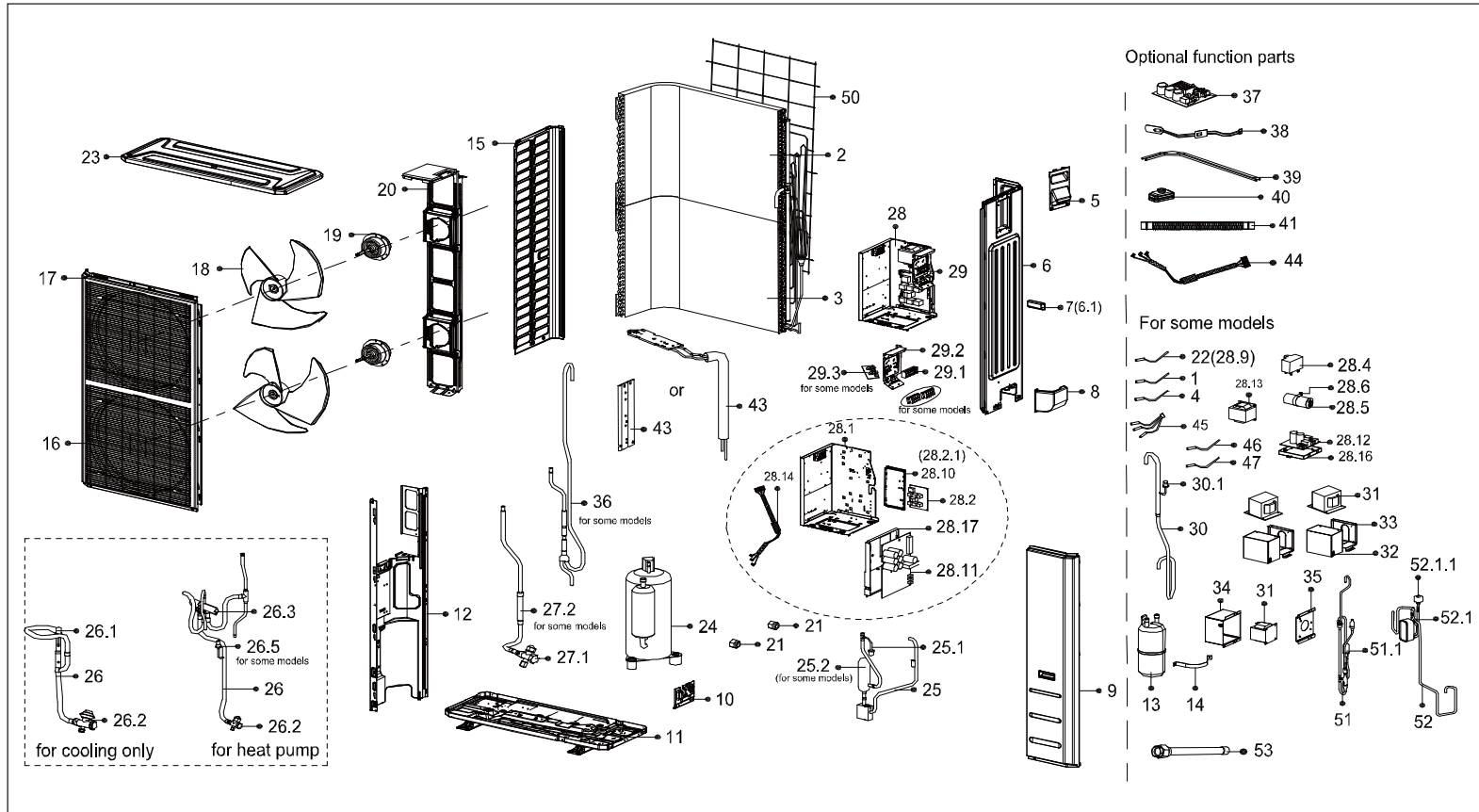
Above prices are subject to S&H charges

DATE 23-06

# EXPLODED DIAGRAM - PARTS VIEW

**Sales Model:** KOIF60H2-1S | (62231-H8195105)

**Power Supply:** 208-230V / 1ph / 60Hz



This information is to be used by qualified HVAC technicians only and is subject to revision without notice

KOIF60H2-1S - Drawing No. D5IF230610

DATE 23-06

## KOIF48H2-1S - SPARE PARTS LIST

No.	Part Number	Description	Specifications	Stock No.	Qty.	Price	Remarks
1	11201007003425	Room Temperature Sensor	1				
2	15822000013007	Condenser assembly	1				
3	15822000013486	Condenser assembly	1				
4	11201007003441	Pipe Temperature Sensor	1				
5	12222000013365	Big handle assembly	1				
6	12222000012373	Rear right clapboard assembly	1				
6.1	12100702000038	Handle	1				
8	12122000014023	Water collector	1				
9	12222000006287	Front right clapboard assembly	1				
10	12222200002361	Valve plate	1				
11	12222000013910	Chassis assembly	1				
12	12222000017025	Partition board assembly	1				
13	15500508001475	Liquid-storage tank	1				ZYT-15A
15	12222200002363	Left side plate assembly of cabinet	1				
16	12222000014845	Air outlet grille	2				
17	12222000007564	Front panel	1				
18	12100105000022	Axial flow fan	2				ZL-554*148*12-3KFN
19	11002015009825	Brushless DC Motor	2				ZKFN-85-8-22-5
20	12222000016092	Supporter subassembly of fan motor	1				
21	15500406000010	Copper nut	1				TLM-B02
22	11201007003124	Discharge Temperature Sensor	1				

This information is to be used by qualified HVAC technicians only and is subject to revision without notice

KOIF60H2-1S - Parts List No. P2IF230610

Above prices are subject to S&H charges

DATE 23-06

## KOIF60H2-1S - SPARE PARTS LIST

No.	Part Number	Description	Specifications	Stock No.	Qty.	Price	Remarks
23	12222200002359	Top cover assembly	1				
24	11103020006399	DC Inverter rotary compressor	1				EAPQ440D1UMUA
25	15122000031463	Discharge pipe assembly	1				
25.1	17400516000851	Pressure Controller	1				YK-4.4/3.2-500-1
26	15422000022895	4-way valve assembly	1				
26.2	15500204000027	Gas valve	1				DYF-G01N1
26.3	15500216000681	Four-Way Valve	1				STF-03BN1
26.5	11201008000773	Pressure sensor	1				
27	15422000022896	Liquid valve assembly	1				
27.1	15500204000021	Gas valve	1				DYF-A28N
28	17222000040226	Electronic control box subassembly	1				
28.1	12222000012372	Installation Plate of Electric Parts Subass	1				
28.2	17122000055266	Inverter module subassembly	1				
28.1	12122000014342	Electronic installing box	1				WE01-11
28.11	17122000058490	Outdoor main control board subassembly	1				
28.14	17401203022090	Compressor wire subassembly	1				
28.17	12122000020943	Electronic installing box	1				WE01-21B
29	17222000040206	Terminal board subassembly	1				
29.1	17400401003456	Wire joint	1				JXZ-PG3ZG1-A
29.2	12222000015266	Terminal instalation subassembly	1				
29.3	17122000058473	Inverter module subassembly	1				

This information is to be used by qualified HVAC technicians only and is subject to revision without notice

KOIF60H2-1S - Parts List No. P2IF230610

Above prices are subject to S&H charges

DATE 23-06

## KOIF60H2-1S - SPARE PARTS LIST

No.	Part Number	Description	Specifications	Stock No.	Qty.	Price	Remarks
30	15122000031459	Suction pipe assembly	1				
30.1	17400516000009	Pressure switch	1				YK-0.03/0.10-L600
38	17402001000602	Crankcase electric heating strip	1				
39	17402002000466	Electric heating tube	1				
41	12100509000038	Drain pipe	1				PJX1.3-1C
43	15122000031462	Radiator subassembly	1				
46	11201007000136	Pipe Temperature Sensor	1				
47	11201007003445	Pipe Temperature Sensor	1				
50	12222000007944	Rear net	1				
51	15422000022897	Electronic expansion valve subassembly	1				
51.1	15500213000245	Electronic expansion valve	1				
52	15700101001416	Plate heat exchanger subassembly	1				
52.1	15422000022915	Electronic expansion valve subassembly	1				
52.1.1	15500213000865	Electric expansive valve	1				DPF(TS1)1.3C-15
53	15123000012948	Evaporator connecting pipe subassembly	1				
53	15123100000608	Evaporator connecting pipe subassembly	1				
54	16022000C24452	Trademark	1				

This information is to be used by qualified HVAC technicians only and is subject to revision without notice

KOIF60H2-1S - Parts List No. P2IF230610

Above prices are subject to S&H charges

DATE 23-06