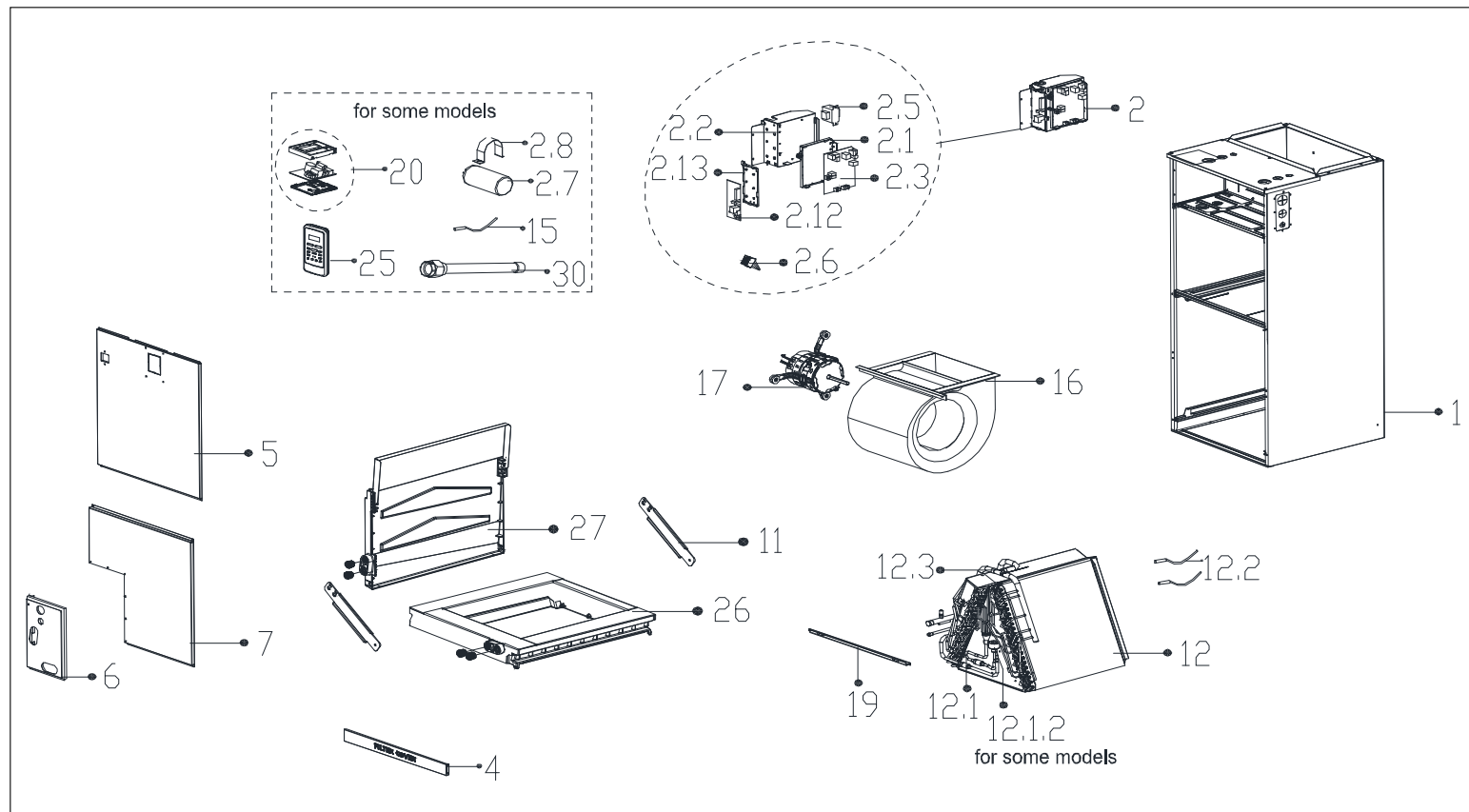


# EXPLODED DIAGRAM - PARTS VIEW

Sales Model: KIDF48H2-1S | (62231-H8195004)

Power Supply: 208-230V / 1ph / 60Hz



This information is to be used by qualified HVAC technicians only and is subject to revision without notice

KIDF48H2-1S - Drawing No. D5DF230607

DATE 23-06

## KIDF48H2-1S - SPARE PARTS LIST

No.	Part Number	Description	Specifications	Stock No.	Qty.	Price	Remarks
1	12223100000879	Chassis			1	\$305.32	
2	17223000009544	Duct electronic control box subassembly			1	\$294.53	
2.1	12123000000920	Installation plate for main board			1	\$14.10	
2.2	12223100000876	E-part box Subassembly			1	\$27.61	
2.3	17123000010342	Duct main control board subassembly			1	\$112.63	
2.5	11203103002659	Linear Transformer			1	\$74.50	TT220-EI66-24/167-F1
2.6	17400401000085	Wire joint			1	\$16.20	JXZ-PD3HG1-A
2.12	17122000059682	Data transfer module control board subassy			1	\$126.06	
2.13	12120300000522	Bracket of main control board			1	\$2.55	
3	12223000014171	Air filter			1	\$49.50	
4	12223100000652	Filter filter clamp			1	\$15.72	
5	12223100000880	Upper Cover Plate assembly			1	\$88.15	
6	12223100000711	Clamp for connecting pipe assembly			1	\$46.53	
7	12223100000897	Under Cover Plate assembly			1	\$96.10	
11	12223100000663	Bracket for Water collector			2	\$2.10	
12	15823100000745	Evaporator assembly			1	\$509.44	
12.1	15123000013329	Evaporator inlet pipe subassembly			1	\$202.35	
12.1.2	15500213000265	Electronic expansion valve body			1	\$97.50	
12.2	11201007004863	Pipe temperature sensor			1	\$20.28	
12.2	11201007003437	Pipe Temperature Sensor			1	\$5.10	
12.3	15123000013350	Evaporator outlet pipe subassembly			1	\$186.15	
15	11201007004864	Room Temperature Sensor			1	\$10.80	

This information is to be used by qualified HVAC technicians only and is subject to revision without notice

KIDF48H2-1S - Parts List No. P2DF230607

Above prices are subject to S&H charges

DATE 23-06

## KIDF48H2-1S - SPARE PARTS LIST

No.	Part Number	Description	Specifications	Stock No.	Qty.	Price	Remarks
16	12200101000253	centrifuge fan assembly			1	\$207.00	
17	11002015015862	Brushless DC Motor			1	\$465.60	
19	12223100000657	press strip			1	\$15.00	
20	17317100A36516	Wired controller			1	\$186.83	
25	17317000A66087	Remote controller			1	\$33.66	
26	12123100000024	Main Water collector assembly			1	\$136.94	
27	12123100000063	Deputy Water collector assembly			1	\$110.42	
30	15123000012887	Evaporator connecting pipe subassembly			1	\$42.46	
30	15123000012948	Evaporator connecting pipe subassembly			1	\$17.76	

This information is to be used by qualified HVAC technicians only and is subject to revision without notice

KIDF48H2-1S - Parts List No. P2DF230607

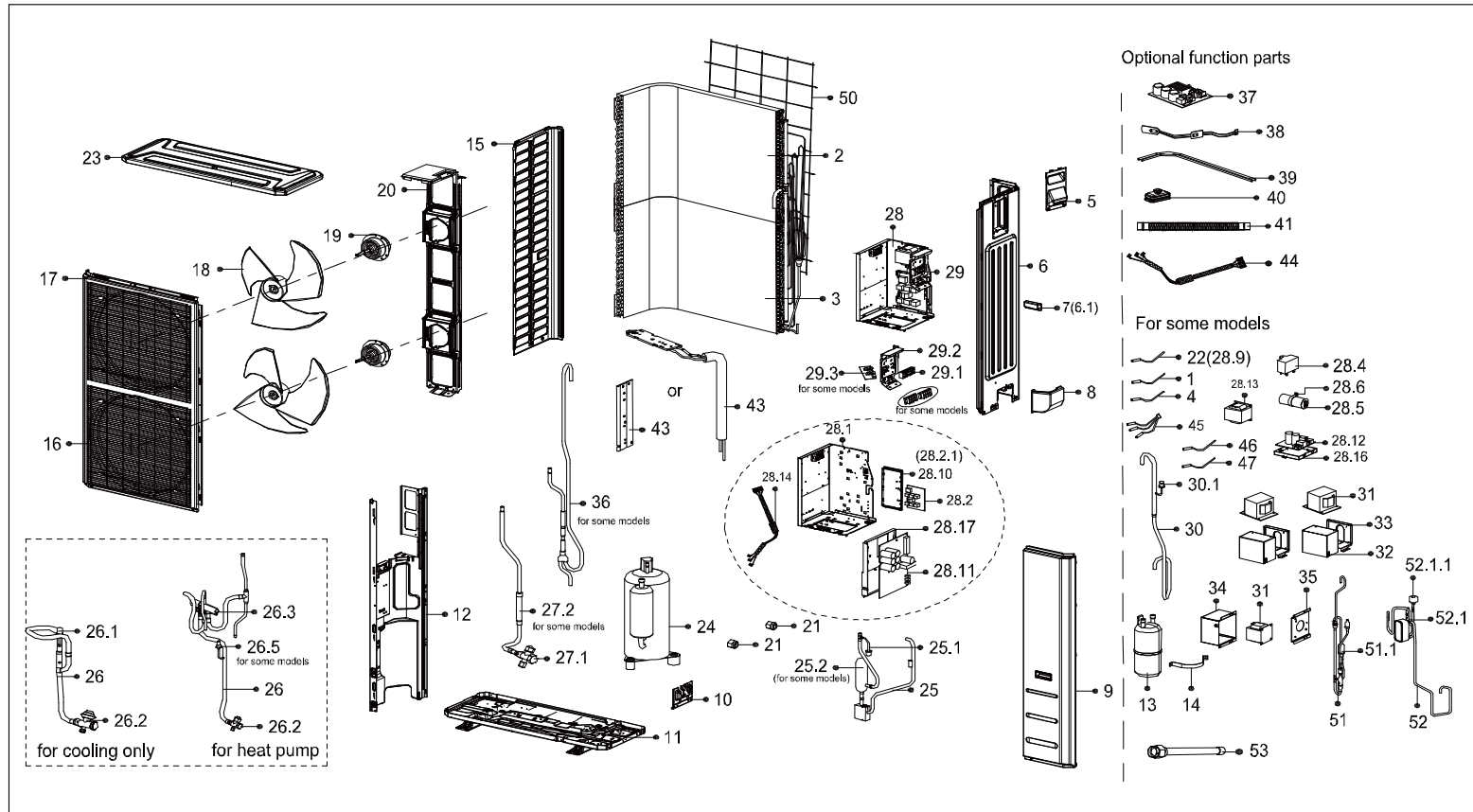
Above prices are subject to S&H charges

DATE 23-06

# EXPLODED DIAGRAM - PARTS VIEW

**Sales Model:** KOIF48H2-1S | (62231-H8195104)

**Power Supply:** 208-230V / 1ph / 60Hz



This information is to be used by qualified HVAC technicians only and is subject to revision without notice

KOIF48H2-1S - Drawing No. D5IF230608

DATE 23-06

## KOIF48H2-1S - SPARE PARTS LIST

No.	Part Number	Description	Specifications	Stock No.	Qty.	Price	Remarks
1	11201007003425	Room Temperature Sensor			1	\$3.90	
2	15822200001058	Condenser assembly			1	\$408.98	
3	15822200001056	Condenser assembly			1	\$376.24	
4	11201007003441	Pipe Temperature Sensor			1	\$5.10	
5	12222000013365	Big handle assembly			1	\$15.00	
6	12222000012373	Rear right clapboard assembly			1	\$93.50	
6.1	12100702000038	Handle			1	\$1.05	
8	12122000014023	Water collector			1	\$6.90	
9	12222000006287	Front right clapboard assembly			1	\$86.20	
10	12222200002361	Valve plate			1	\$10.35	
11	12222000006290	Chassis assembly			1	\$97.58	
12	12222000005733	Partition board assembly			1	\$70.70	
13	15500508000009	Liquid-storage tank			1	\$91.04	ZYT-10
15	12222200002363	Left side plate assembly of cabinet			1	\$62.50	
16	12222000014845	Air outlet grille			2	\$53.35	
17	12222000007564	Front panel			1	\$127.16	
18	12100105000022	Axial flow fan			2	\$40.92	ZL-554*148*12-3KFN
19	11002015009825	Brushless DC Motor			2	\$138.04	ZKFN-85-8-22-5
20	12222000006288	Supporter subassembly of fan motor			1	\$83.30	
21	15500406000008	Copper nut			1	\$14.64	TLM-E05
21	15500406000010	Copper nut			1	\$6.60	TLM-B02
22	11201007003124	Discharge Temperature Sensor			1	\$7.05	

This information is to be used by qualified HVAC technicians only and is subject to revision without notice

KOIF48H2-1S - Parts List No. P2IF230608

Above prices are subject to S&H charges

DATE 23-06

## KOIF48H2-1S - SPARE PARTS LIST

No.	Part Number	Description	Specifications	Stock No.	Qty.	Price	Remarks
23	12222200002359	Top cover assembly			1	\$59.50	
24	11103020006279	DC Inverter Rotary Compressor			1	\$599.59	EAPQ420D1UMUA
25	15122000026158	Discharge pipe assembly			1	\$118.83	
25.1	17400516000851	Pressure Controller			1	\$29.64	YK-4.4/3.2-500-1
26	15422000022539	4-way valve assembly			1	\$346.08	
26.2	15500204000482	Gas Valve			1	\$54.60	DYF-E14AN1
26.3	15500216000681	Four-Way Valve			1	\$155.38	STF-03BN1
26.5	11201008000773	Pressure sensor			1	\$150.28	
27	15422000021392	Liquid valve assembly			1	\$47.52	
27.1	15500204000021	Gas valve			1	\$24.84	DYF-A28N
28	17222000037998	Electronic control box subassembly			1	\$580.30	
28.1	12222000012372	Installation Plate of Electric Parts Subassembly			1	\$35.42	
28.2	17122000055266	Inverter module subassembly			1	\$450.83	
28.1	12122000014342	Electronic installing box			1	\$12.75	WE01-11
28.11	17122000056148	Outdoor main control board subassembly			1	\$208.43	
28.14	17401203017294	Compressor wire subassembly			1	\$82.00	
28.17	12122000020943	Electronic installing box			1	\$18.24	WE01-21B
29	17222000037997	Terminal board subassembly			1	\$143.40	
29.1	17400401003456	Wire joint			1	\$12.60	JXZ-PG3ZG1-A
29.2	12222000015266	Terminal instalation subassembly			1	\$15.00	
29.3	17122000056145	Inverter module subassembly			1	\$93.93	
30	15122000028742	Suction pipe assembly			1	\$86.30	

This information is to be used by qualified HVAC technicians only and is subject to revision without notice

KOIF48H2-1S - Parts List No. P2IF230608

Above prices are subject to S&H charges

DATE 23-06

## KOIF48H2-1S - SPARE PARTS LIST

No.	Part Number	Description	Specifications	Stock No.	Qty.	Price	Remarks
30.1	17400516000850	Pressure switch			1	\$28.56	YK-0.14/0.3-200
36	15422000021392	Liquid valve assembly			1	\$47.52	
38	17402001000602	Crankcase electric heating strip			1	\$23.76	
39	17402002000466	Electric heating tube			1	\$69.70	
41	12100509000038	Drain pipe			1	\$9.15	PJX1.3-1C
43	15122000026162	Radiator subassembly			1	\$112.46	
46	11201007000136	Pipe Temperature Sensor			1	\$4.05	
47	11201007003445	Pipe Temperature Sensor			1	\$4.50	
50	12222000007944	Rear net			1	\$41.47	
51	15422000017595	Electronic expansion valve subassembly			1	\$168.22	
51.1	15500213000265	Electronic expansion valve body			1	\$97.50	
52	15700101000876	Plate heat exchanger subassembly			1	\$271.65	
52.1	15422000017593	Electronic expansion valve subassembly			1	\$106.85	
52.1.1	15500213000865	Electric expansive valve			1	\$93.60	DPF(TS1)1.3C-15
53	15123000012887	Evaporator connecting pipe subassembly			1	\$42.46	
53	15123000012948	Evaporator connecting pipe subassembly			1	\$17.76	

This information is to be used by qualified HVAC technicians only and is subject to revision without notice

KOIF48H2-1S - Parts List No. P2IF230608

Above prices are subject to S&H charges

DATE 23-06