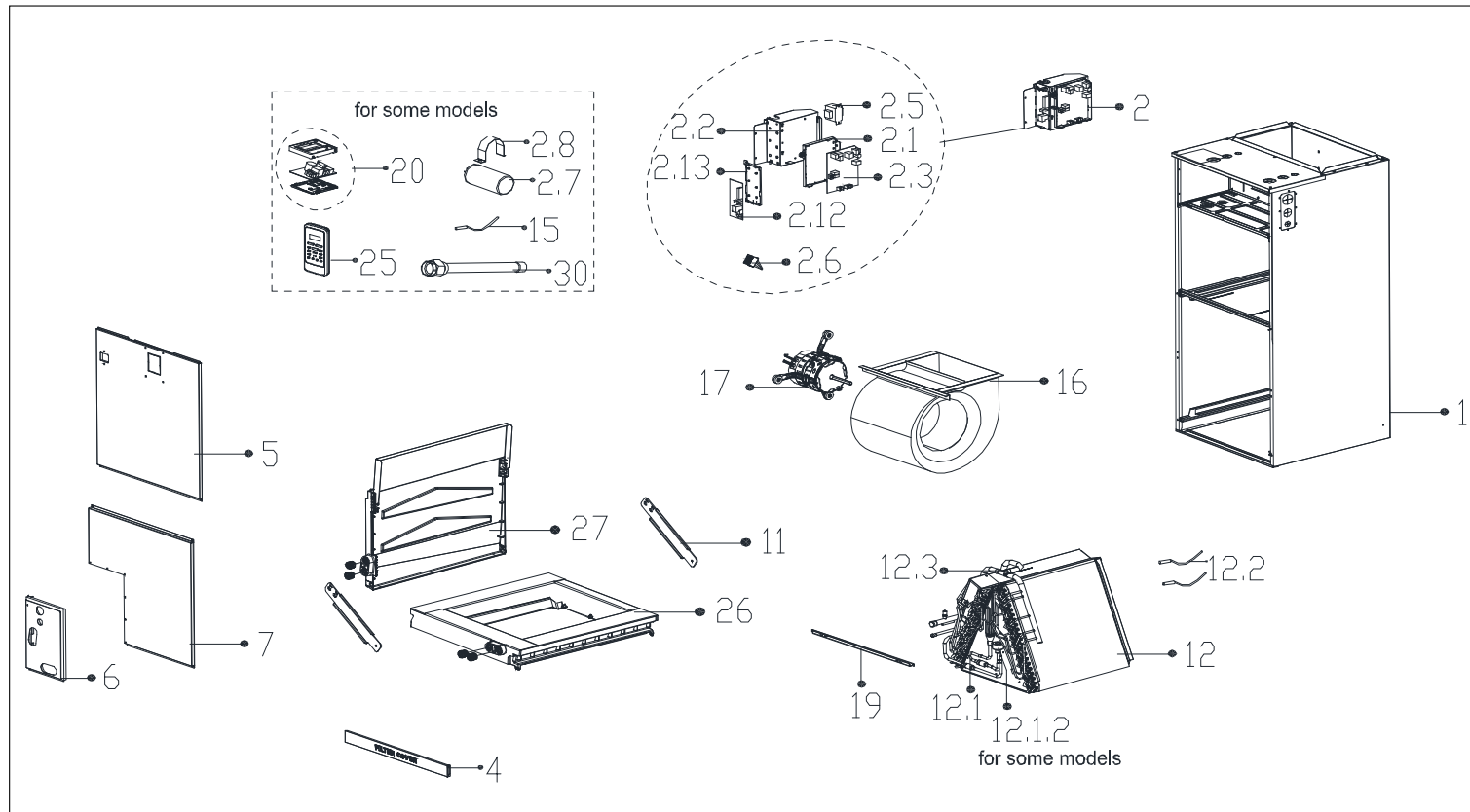


# EXPLODED DIAGRAM - PARTS VIEW

Sales Model: **KIDF30H2-1S | (62231-H8195002)**

Power Supply: 208-230V / 1ph / 60Hz



This information is to be used by qualified HVAC technicians only and is subject to revision without notice

KIDF30H2-1S - Drawing No. D5DF230602

DATE 23-06

## KIDF30H2-1S - SPARE PARTS LIST

No.	Part Number	Description	Specifications	Stock No.	Qty.	Price	Remarks
1	12223100000879	Chassis			1	\$305.32	
2	17223000009525	Duct electronic control box subassembly			1	\$294.45	
2.1	12123000000920	Installation plate for main board			1	\$14.10	
2.2	12223100000876	E-part box Subassembly			1	\$27.61	
2.3	17123000010365	Duct main control board subassembly			1	\$112.37	
2.5	11203103002659	Linear Transformer			1	\$74.50	
2.6	17400401000085	Wire joint			1	\$16.20	JXZ-PD3HG1-A
2.12	17122000059682	Data transfer module control board subassby			1	\$126.06	
2.13	12120300000522	Bracket of main control board			1	\$2.55	
3	12223000014171	Air filter			1	\$49.50	
4	12223100000652	Filter filter clamp			1	\$15.72	
5	12223100000880	Upper Cover Plate assembly			1	\$88.15	
6	12223100000711	Clamp for connecting pipe assembly			1	\$46.53	
7	12223100000897	Under Cover Plate assembly			1	\$96.10	
11	12223100000663	Bracket for Water collector			2	\$2.10	
12	15823100000745	Evaporator assembly			1	\$509.44	
12.1	15123000013329	Evaporator inlet pipe subassembly			1	\$202.35	
12.1.2	15500213000265	Electronic expansion valve body			1	\$97.50	
12.2	11201007004863	Pipe temperature sensor			1	\$20.28	
12.2	11201007003437	Pipe Temperature Sensor			1	\$5.10	
12.3	15123000013350	Evaporator outlet pipe subassembly			1	\$186.15	
15	11201007004864	Room Temperature Sensor			1	\$10.80	

This information is to be used by qualified HVAC technicians only and is subject to revision without notice

KIDF30H2-1S - Parts List No. P2DF230602

Above prices are subject to S&H charges

DATE 23-06

## KIDF30H2-1S - SPARE PARTS LIST

No.	Part Number	Description	Specifications	Stock No.	Qty.	Price	Remarks
16	12200101000253	centrifuge fan assembly			1	\$207.00	
17	11002015015864	Brushless DC Motor			1	\$410.18	ZKFD-375-8-1-1
19	12223100000657	press strip			1	\$15.00	
20	17317100A36516	Wired controller			1	\$186.83	
25	17317000A66087	Remote controller			1	\$33.66	
26	12123100000024	Main Water collector assembly			1	\$136.94	
27	12123100000063	Deputy Water collector assembly			1	\$110.42	
30	15123000012887	Evaporator connecting pipe subassembly			1	\$42.46	
30	15123000012948	Evaporator connecting pipe subassembly			1	\$17.76	

This information is to be used by qualified HVAC technicians only and is subject to revision without notice

KIDF30H2-1S - Parts List No. P2DF230602

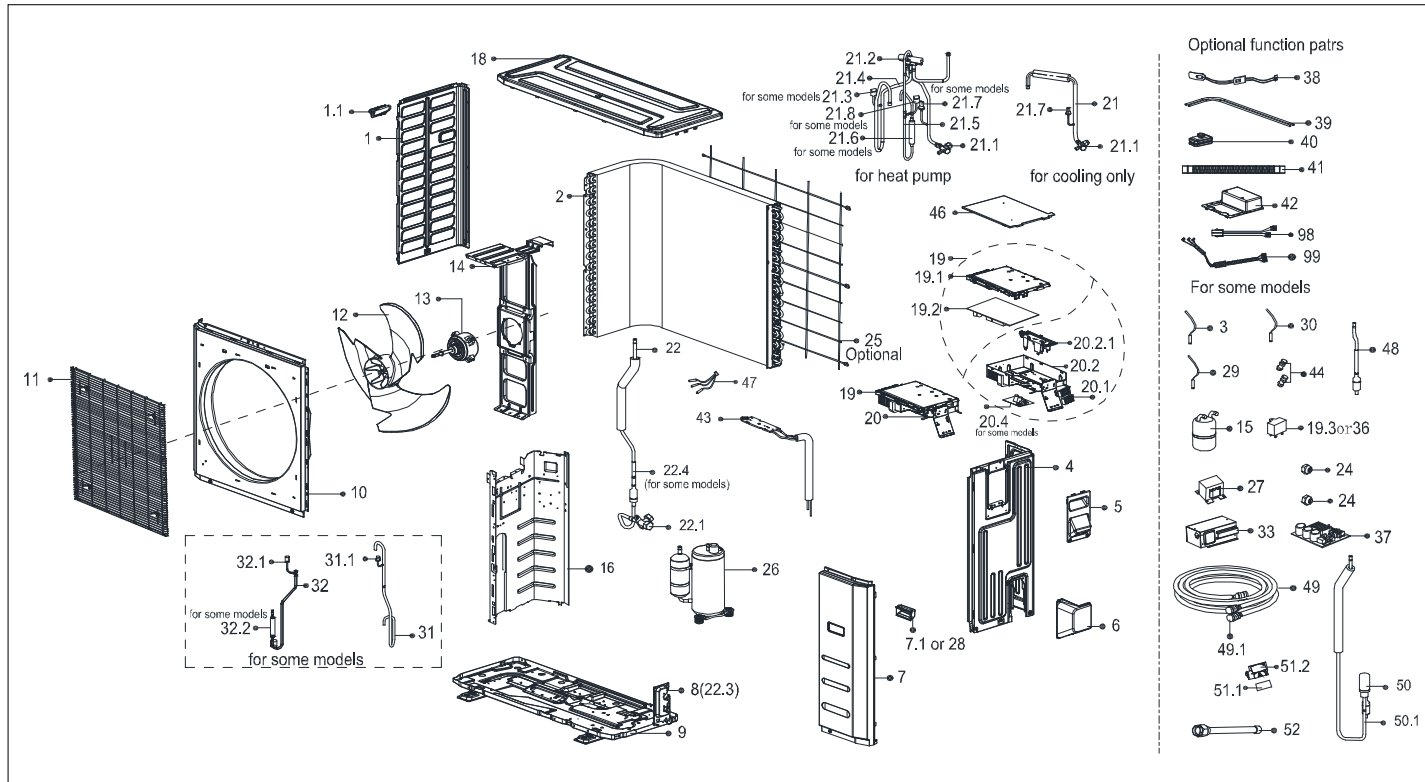
Above prices are subject to S&H charges

DATE 23-06

# EXPLODED DIAGRAM - PARTS VIEW

**Sales Model :** KOIF30H2-1S | (62231-H8195102)

**Power Supply:** 208-230V / 1ph / 60Hz



This information is to be used by qualified HVAC technicians only and is subject to revision without notice

KOIF30H2-1S - Drawing No. D51F230604

DATE 23-06

## KOIF30H2-1S - SPARE PARTS LIST

No.	Part Number	Description	Specifications	Stock No.	Qty.	Price	Remarks
1	12222000006665	Left Side Plate Assembly of Cabinet			1	\$39.16	
1.1	12100701000033	Small handle			1	\$1.05	
2	15822000009436	Condenser Assembly			1	\$590.49	
3	11201007000069	Pipe Temperature Sensor			1	\$4.50	
3	11201007003445	Pipe Temperature Sensor			1	\$4.50	
4	12222000006664	Rear Right Clapboard Assembly			1	\$59.00	
5	12222000013365	Big handle assembly			1	\$15.00	
6	12122200002695	Water Collector			1	\$7.20	
7	12222500A00135	Front Right Clapboard Assembly			1	\$41.91	
7.1	12100702000038	Handle			1	\$1.05	
9	12222000004018	Chassis assembly			1	\$93.30	
10	12222000A01431	Front panel			1	\$92.70	
11	12222000014845	Air outlet grille			1	\$53.35	
12	12100105000084	Axial Flow Fan			1	\$40.48	ZL-560*139*12-3KN
13	11002015000247	Brushless DC Motor			1	\$146.88	ZKFN-120-8-2
14	12222500000547	Supporter subassembly of fan motor			1	\$48.95	
15	15500508000315	Accumulator cylinder			1	\$79.80	ZYT-12
16	12222000012328	Partition board assembly			1	\$29.70	
18	12222500000587	Top Cover Assembly			1	\$56.00	
19	17222000037878	Electronic control box subassembly			1	\$407.41	
19.1	12122000025662	Cover of electronic control box			1	\$20.64	
19.2	17122000055971	Outdoor main control board subassembly			1	\$378.08	
20	17222000037877	Terminal board subassembly			1	\$122.66	

This information is to be used by qualified HVAC technicians only and is subject to revision without notice

KOIF30H2-1S - Parts List No. P2IF230604

Above prices are subject to S&H charges

DATE 23-06

## KOIF30H2-1S - SPARE PARTS LIST

No.	Part Number	Description	Specifications	Stock No.	Qty.	Price	Remarks
20.1	17400401000119	Terminal			1	\$4.95	
20.2	12222000015265	Electronic installing box subassembly			1	\$42.90	
20.2.1	12122000024381	U-Typed Support with Copper Pipe			1	\$12.15	
20.4	17122000055968	Inverter module subassembly			1	\$93.93	
21	15422000021552	4-way valve assembly			1	\$262.50	
21.1	15500204000482	Gas Valve			1	\$54.60	DYF-E14AN1
21.2	15500216000361	Four-Way Valve			1	\$86.50	STF-02BN1
21.4	15122000028747	Suction pipe			1	\$23.28	
21.5	15122000028802	Discharge pipe assembly			1	\$65.50	
21.7	11201008000773	Pressure sensor			1	\$150.28	
21.8	17400516000849	Pressure Controller			1	\$27.60	YK-4.4/3.2-200
22	15422000021516	Liquid valve assembly			1	\$50.60	
22.1	15500204000021	Gas valve			1	\$24.84	DYF-A28N
22.3	12222200000611	Valve plate			1	\$6.30	
24	15500406000008	Copper nut			1	\$14.64	TLM-E05
24	15500406000010	Copper nut			1	\$6.60	TLM-B02
25	12222000006604	Rear net			1	\$24.36	
26	11103020000719	DC Inverter Rotary Compressor			1	\$503.21	KTF310D43UMT
31	15122000029698	Suction pipe assembly			1	\$100.64	
31.1	17400516000848	Pressure Controller			1	\$26.88	
38	17402001000601	Crankcase electric heater			1	\$22.80	
39	17402002000466	Electric heating tube			1	\$69.70	
41	12100509000038	Drain pipe			1	\$9.15	PJX1.3-1C

This information is to be used by qualified HVAC technicians only and is subject to revision without notice

KOIF30H2-1S - Parts List No. P2IF230604

Above prices are subject to S&H charges

DATE 23-06

## KOIF30H2-1S - SPARE PARTS LIST

No.	Part Number	Description	Specifications	Stock No.	Qty.	Price	Remarks
43	15122000028848	Radiator subassembly			1	\$82.20	
46	12122000016029	Cover of electronic control box			1	\$16.44	
47	11201011000188	Combination Sensor			1	\$12.96	
50	15422000021313	Electronic expansion valve subassembly			1	\$154.36	
50.1	15500213000265	Electronic expansion valve body			1	\$97.50	
52	15123000012887	Evaporator connecting pipe subassembly			1	\$42.46	
52	15123000012948	Evaporator connecting pipe subassembly			1	\$17.76	

This information is to be used by qualified HVAC technicians only and is subject to revision without notice

KOIF30H2-1S - Parts List No. P2IF230604

Above prices are subject to S&H charges

DATE 23-06