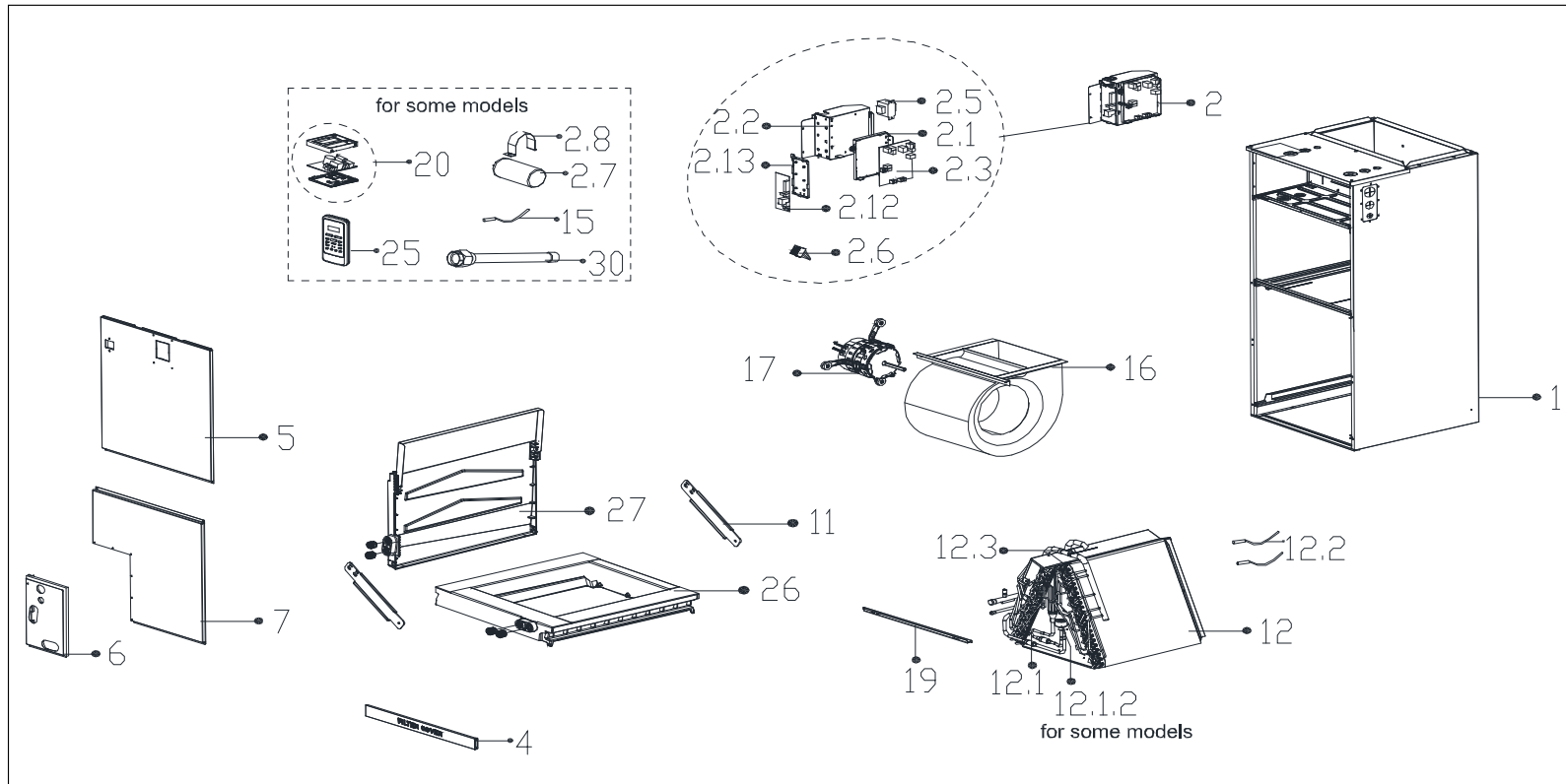


EXPLODED DIAGRAM - PARTS VIEW

Sales Model : **KIDF24H2-1S | (62231-H8195001)**

Power Supply : 208-230V / 1ph / 60Hz



This information is to be used by qualified HVAC technicians only and is subject to revision without notice

KIDF24H2-1S - Drawing No. D5DF230601

DATE 23-06

KIDF24H2-1S - SPARE PARTS LIST

No.	Part Number	Description	Specifications	Stock No.	Qty.	Price	Remarks
1	12223100000893	Chassis assembly			1	\$280.63	
2	17223000009525	Duct electronic control box subassembly			1	\$294.45	
2.1	12123000000920	Installation plate for main board			1	\$14.10	
2.2	12223100000876	E-part box Subassembly			1	\$27.61	
2.3	17123000010365	Duct main control board subassembly			1	\$112.37	
2.5	11203103002659	Linear Transformer			1	\$74.50	TT220-EI66-24/167-F1
2.6	17400401000085	Wire joint			1	\$16.20	JXZ-PD3HG1-A
2.12	17122000059682	Data transfer module control board subasy			1	\$126.06	
2.13	12120300000522	Bracket of main control board			1	\$2.55	
3	12223000014170	Air filter			1	\$47.19	
4	12223100000654	Dust mesh			1	\$12.36	
5	12223100000892	Upper Cover Plate assembly			1	\$93.00	
6	12223100000711	Clamp for connecting pipe assembly			1	\$46.53	
7	12223100000894	Under Cover Plate assembly			1	\$58.80	
11	12223100000663	Bracket for Water collector			2	\$2.10	
12	15823100000624	Evaporator assembly			1	\$355.00	
12.1	15123000013127	Evaporator inlet pipe subassembly			1	\$169.07	
12.1.2	15500213000176	Electronic expansion valve body			1	\$72.20	
12.2	11201007004863	Pipe temperature sensor			1	\$20.28	
12.2	11201007003441	Pipe Temperature Sensor			1	\$5.10	
12.3	15123000012867	Evaporator outlet pipe subassembly			1	\$122.40	
15	11201007004864	Room Temperature Sensor			1	\$10.80	
16	12200101000018	Fan ass'y			1	\$183.30	LX-270*207*12.7-51J-A
17	11002015013969	Brushless DC Motor			1	\$368.26	ZKFD-250-8-1

This information is to be used by qualified HVAC technicians only and is subject to revision without notice

KIDF24H2-1S - Parts List No. P2DF230601

Above prices are subject to S&H charges

DATE 23-06

KIDF24H2-1S - SPARE PARTS LIST

No.	Part Number	Description	Specifications	Stock No.	Qty.	Price	Remarks
19	12223100000665	press strip			1	\$14.16	
20	17317100A36516	Wired controller			1	\$186.83	KJR-120N(X6W)/BGEF V1.2
25	17317000A66087	Remote controller			1	\$33.66	
26	12123100000025	Main Water collector assembly			1	\$128.78	
27	12123100000026	Water collector subassembly			1	\$97.90	
30	15123000012887	Evaporator connecting pipe subassembly			1	\$42.46	
30	15123000012948	Evaporator connecting pipe subassembly			1	\$17.76	

This information is to be used by qualified HVAC technicians only and is subject to revision without notice

KIDF24H2-1S - Parts List No. P2DF230601

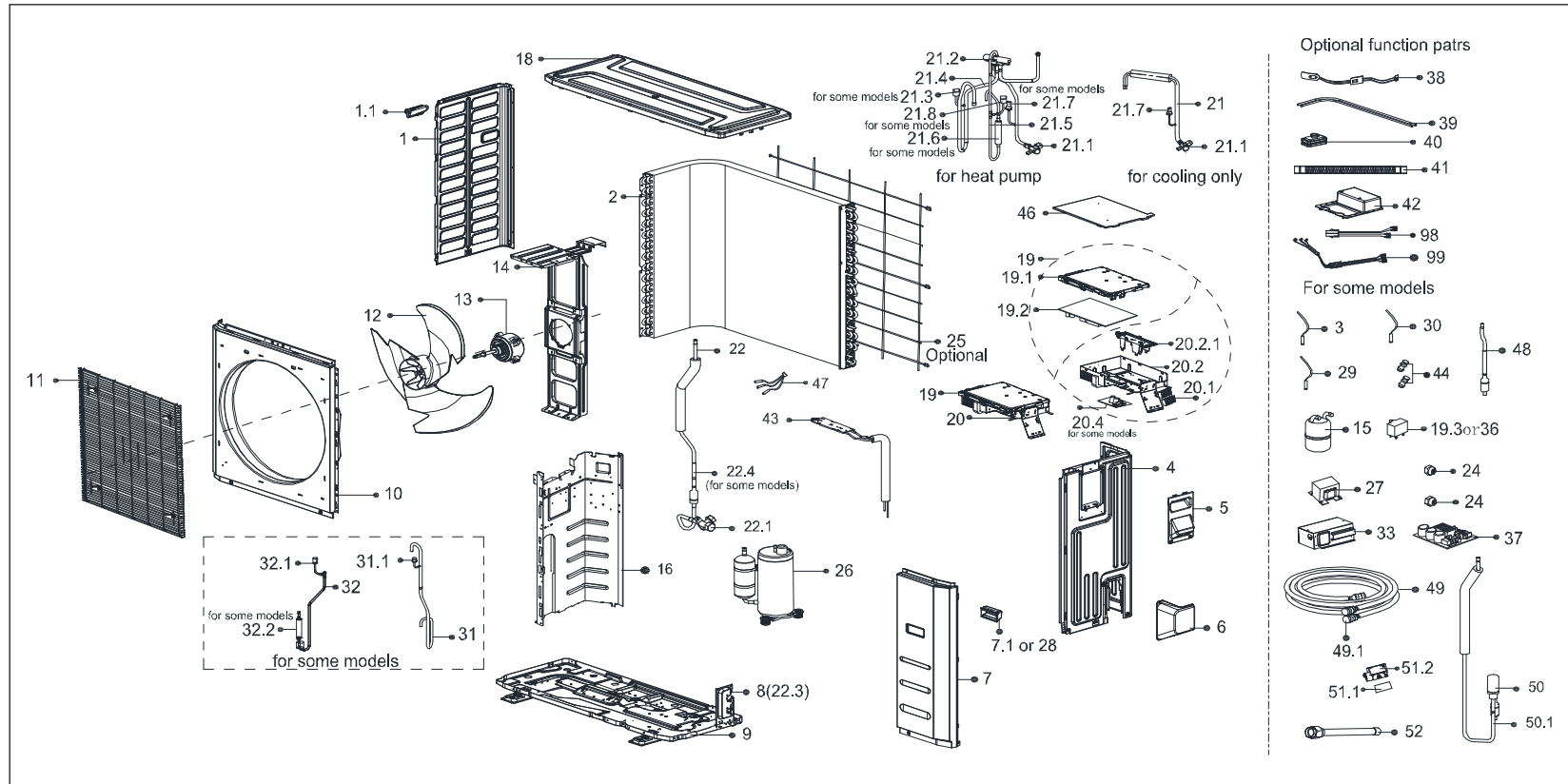
Above prices are subject to S&H charges

DATE 23-06

EXPLODED DIAGRAM - PARTS VIEW

Sales Model : KOIF24-H2-1S | (62231-H8195101)

Power Supply: 208-230V / 1ph / 60Hz



This information is to be used by qualified HVAC technicians only and is subject to revision without notice

KOIF24H2-1S - Drawing No. D51F230602

DATE 23-06

KOIF24H2-1S - SPARE PARTS LIST

No.	Part Number	Description	Specifications	Stock No.	Qty.	Price	Remarks
1	12222000006665	Left Side Plate Assembly of Cabinet			1	\$39.16	
1.1	12100701000033	Small handle			1	\$1.05	
2	15822000011096	Condenser assembly			1	\$536.59	
3	11201007000069	Pipe Temperature Sensor			1	\$4.50	
3	11201007003445	Pipe Temperature Sensor			1	\$4.50	
4	12222000006664	Rear Right Clapboard Assembly			1	\$59.00	
5	12222000013365	Big handle assembly			1	\$15.00	
6	12122200002695	Water Collector			1	\$7.20	
7	12222500A00135	Front Right Clapboard Assembly			1	\$41.91	
7.1	12100702000038	Handle			1	\$1.05	
9	12222000004018	Chassis assembly			1	\$93.30	
10	12222000A01431	Front panel			1	\$92.70	
11	12222000014845	Air outlet grille			1	\$53.35	
12	12100105000084	Axial Flow Fan			1	\$40.48	ZL-560*139*12-3KN
13	11002015000247	Brushless DC Motor			1	\$146.88	ZKFN-120-8-2
14	12222000005162	Motor Bracket Assembly			1	\$50.93	
16	12222000012328	Partition board assembly			1	\$29.70	
18	12222500000587	Top Cover Assembly			1	\$56.00	
19	17222000037883	Electronic control box subassembly			1	\$407.41	
19.1	12122000025662	Cover of electronic control box			1	\$20.64	
19.2	17122000055981	Outdoor main control board subassembly			1	\$378.08	
20	17222000037882	Terminal board subassembly			1	\$122.66	
20.1	17400401000119	Terminal			1	\$4.95	
20.2	12222000015265	Electronic installing box subassembly			1	\$42.90	

This information is to be used by qualified HVAC technicians only and is subject to revision without notice

KOIF24H2-1S - Parts List No. P2IF230602

Above prices are subject to S&H charges

DATE 23-06

KOIF24H2-1S - SPARE PARTS LIST

No.	Part Number	Description	Specifications	Stock No.	Qty.	Price	Remarks
20.2.1	12122000024381	U-Typed Support with Copper Pipe			1	\$12.15	
20.4	17122000055979	Inverter module subassembly			1	\$93.93	
21	15422000022559	4-way valve assembly			1	\$305.16	
21.1	15500204000482	Gas Valve			1	\$54.60	DYF-E14AN1
21.2	15500216000361	Four-Way Valve			1	\$86.50	STF-02BN1
21.3	17400516000848	Pressure Controller			1	\$26.88	YK-0.14/0.3-500
21.4	15122000031257	Suction pipe assembly			1	\$73.20	
21.5	15122000031237	Discharge pipe assembly			1	\$71.00	
21.7	11201008000773	Pressure sensor			1	\$150.28	
21.8	17400516000851	Pressure Controller			1	\$29.64	YK-4.4/3.2-500-1
22	15422000021516	Liquid valve assembly			1	\$50.60	
22.1	15500204000021	Gas valve			1	\$24.84	DYF-A28N
22.3	12222200000611	Valve plate			1	\$6.30	
24	15500406000008	Copper nut			1	\$14.64	TLM-E05
24	15500406000010	Copper nut			1	\$6.60	TLM-B02
25	12222000006604	Rear net			1	\$24.36	
26	11103020004360	DC Inverter Rotary Compressor			1	\$360.61	KTM240D57UMT
38	17402001000603	Crankcase electric heater			1	\$19.68	
39	17402002000466	Electric heating tube			1	\$69.70	
41	12100509000038	Drain pipe			1	\$9.15	PJX1.3-1C
43	15122000028848	Radiator subassembly			1	\$82.20	
46	12122000016029	Cover of electronic control box			1	\$16.44	
47	11201011000188	Combination Sensor			1	\$12.96	
50	15422000021315	Electronic expansion valve subassembly			1	\$121.89	

This information is to be used by qualified HVAC technicians only and is subject to revision without notice

KOIF24H2-1S - Parts List No. P21F230602

Above prices are subject to S&H charges

DATE 23-06

KOIF24H2-1S - SPARE PARTS LIST

No.	Part Number	Description	Specifications	Stock No.	Qty.	Price	Remarks
50.1	15500213000176	Electronic expansion valve body			1	\$72.20	
52	15123000012887	Evaporator connecting pipe subassembly			1	\$42.46	
52	15123000012948	Evaporator connecting pipe subassembly			1	\$17.76	
53	16022000C24452	Trademark			1	\$0.75	
99	17401203000751	Compressor Wires Subassembly			1	\$14.16	

This information is to be used by qualified HVAC technicians only and is subject to revision without notice

KOIF24H2-1S - Parts List No. P2IF230602

Above prices are subject to S&H charges

DATE 23-06