



**Job Information** | **Technical Data Sheet**

<b>Job Name</b>	SFL Parts WSHP Partners Program
<b>Unit Tag</b>	3.0 Ton LH

**Unit Overview**

Model Number	Voltage V/Hz/Phase	Airflow CFM	Fluid Flow gpm	Cooling Capacity Btu/hr	Cooling Efficiency EER @ AHRI	Heating Capacity Btu/hr	Heating Efficiency COP @ AHRI
WGCV036	208-230/60/1	1274	9.00	33117	13.7	43433	4.5

**Unit**

<b>Model Number:</b>	WGCV036		
<b>Unit Type:</b>	Compact Vertical Single Stage		
<b>Approval:</b>	ETL, CETL, AHRI		
<b>Configuration</b>	<b>Refrigerant Type</b>	<b>Refrigerant Weight</b>	<b>Loop Temperature Range</b>
Vertical	R-410A	48.0 oz	Water Loop (Standard Range)

**Unit Performance**

Air & Water Flow				
Airflow	Total External Static Pressure	Fluid Flow	Fluid Type	Altitude
1274 CFM	0.30 inH <sub>2</sub> O	9.00 gpm / 3.00 gpm/ton	Water	0 ft

Cooling Performance										
Fluid Temperature		Air Temperature				Capacity		Heat of Rejection Btu/hr	EER @ AHRI	Fluid Pressure Drop ft H <sub>2</sub> O
Entering °F	Leaving °F	Entering		Leaving		Total Btu/hr	Sensible Btu/hr			
		Dry Bulb °F	Wet Bulb °F	Dry Bulb °F	Wet Bulb °F					
90.0	99.7	75.0	63.0	56.9	53.9	33117	25004	43740	13.7	16.20

Heating Performance							
Fluid Temperature		Air Temperature		Capacity Total Btu/hr	Heat of Absorption Btu/hr	COP @ AHRI	Fluid Pressure Drop ft H <sub>2</sub> O
Entering °F	Leaving °F	Entering Dry Bulb °F	Leaving Dry Bulb °F				
70.0	62.4	70.0	101.4	43433	34300	4.5	16.78

\*System WPD is calculated without the autoflow valve as the CV of an autoflow valve varies dependent on the system WPD. As long as the WPD is >3 psid, the autoflow valve will provide the selected GPM flowrate.

**Electrical**

<b>Unit Voltage</b>	<b>Minimum Voltage</b>	<b>Total Unit Full Load Current</b>	<b>Total Unit MCA</b>
208-230/60/1	197.0 v	20.80 A	24.98 A
<b>Compressor RLA</b>	<b>Compressor LRA</b>	<b>Motor FLA</b>	<b>Maximum Recommended Fuse Size / HACR Breaker Size</b>
16.7 A	79.0 A	4.10 A	40 A

**Physical**

Unit						
Depth	Height	Width	Weight		Connection	
			Shipping	Operating	Water	Condensate
26.00 in	44.00 in	21.50 in	221 lb	193 lb	0.75 in	0.75 in
Fan						
Motor Type				Motor Horsepower		
ECM Constant Torque				0.33 hp		

## Unit Options

### Controls

<b>Unit Control:</b>	Microtech III
<b>Control Transformer:</b>	Standard 50 VA Transformer
<b>Thermostat / Sensor Control:</b>	Thermostat Control

### Unit Airflow Configuration

<b>Return Air Location:</b>	Left Hand
<b>Discharge Air Location:</b>	Top

## Factory Mounted Options

### Coaxial Heat Exchanger Options

<b>Heat Exchanger:</b>	Copper Inner Tube / Steel Outer Tube
------------------------	--------------------------------------

## Construction Options

### Drain Pan Material

<b>Primary:</b>	Stainless Steel
-----------------	-----------------

### Filters

<b>Filter Rack Type:</b>	1-inch Rail
<b>Filter Type:</b>	Standard 1 inch
<b>(Quantity) Filter Dimensions:</b>	(1) 23 in x 23 in x 1 in

### Insulation

<b>Compressor Compartment:</b>	1/2 inch Fiberglass, Skin-faced
<b>Air Compartment:</b>	1/2 inch Fiberglass, Skin-faced

## Warranty

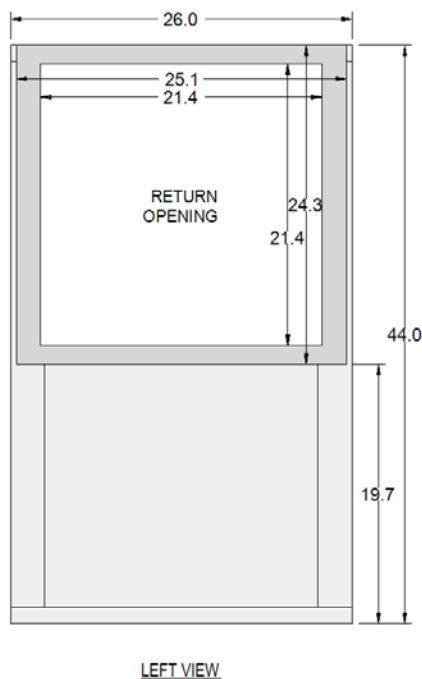
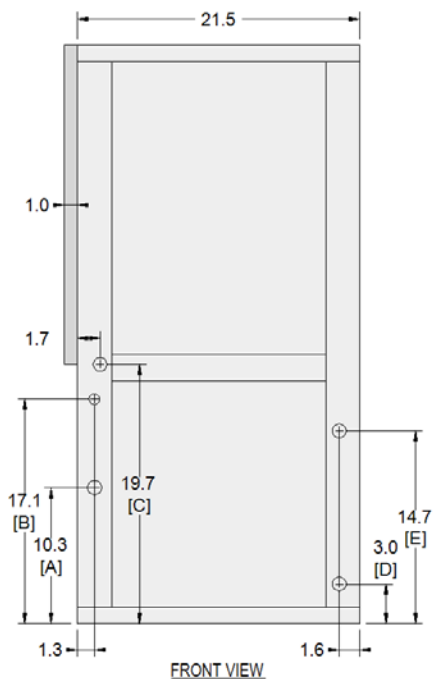
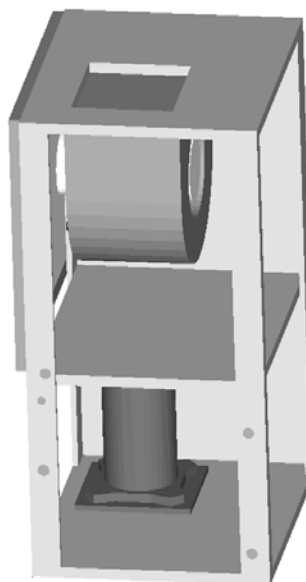
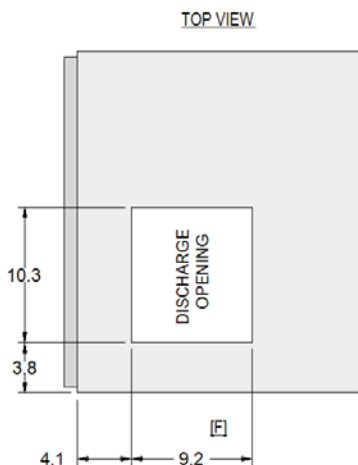
<b>Unit Warranty:</b>	1st Year Labor Allowance
-----------------------	--------------------------

## AHRI Certification




All equipment is rated and certified in accordance with AHRI / ISO 13256-1 and tested, investigated, and determined to comply with the requirements of the standards for Heating and Cooling Equipment UL-1995 for the United States and CAN/CSA-C22.2 NO.236 for Canada.

3/4 VIEW - LEFT HAND RETURN UNIT



NOTES		
[A] - High Volt Pwr Entry 1.1 DIA	[B] - Low Volt Pwr Entry 0.8 DIA	[C] - Condensate Drain 3/4" FPT
[D] - Supply Water 3/4" FPT	[E] - Return Water 3/4" FPT	[F] - Unit Front Service Clearance 24

<b>Product Drawing</b>	Unit Tag: 3.0 Ton LH			 13600 Industrial Park Blvd. Minneapolis, MN 55441 www.DaikinApplied.com Software Version: 07.20		
Product:	Project Name: SFL Parts WSHP Partners Program					
Model: WGCV036	Sales Office: Daikin Applied South Florida			Scale: NTS	Tolerance: +/-0.25"	Dwg Units: (in)
Sales Engineer:	Dec. 10, 2018	Ver/Rev:	Sheet 1 of 1			
No change to this drawing may be made unless approved in writing by Daikin Applied. Purchaser must determine that the equipment is fit and sufficient for the job specifications.						