



Job Information		Technical Data Sheet
Job Name	SFL Parts WSHP Partners Program	
Unit Tag	2.0 Ton RH	

Unit Overview							
Model Number	Voltage V/Hz/Phase	Airflow CFM	Fluid Flow gpm	Cooling Capacity Btu/hr	Cooling Efficiency EER @ AHRI	Heating Capacity Btu/hr	Heating Efficiency COP @ AHRI
WGCV024	208-230/60/1	836	6.00	22006	13.5	26549	4.5

Unit			
Model Number:	WGCV024		
Unit Type:	Compact Vertical Single Stage		
Approval:	ETL, CETL, AHRI		
Configuration	Refrigerant Type	Refrigerant Weight	Loop Temperature Range
Vertical	R-410A	32.0 oz	Water Loop (Standard Range)

Unit Performance										
Air & Water Flow										
Airflow		Total External Static Pressure		Fluid Flow		Fluid Type		Altitude		
836 CFM		0.30 inH ₂ O		6.00 gpm / 3.00 gpm/ton		Water		0 ft		
Cooling Performance										
Fluid Temperature		Air Temperature				Capacity		Heat of Rejection Btu/hr	EER @ AHRI	Fluid Pressure Drop ft H ₂ O
Entering °F	Leaving °F	Entering		Leaving		Total Btu/hr	Sensible Btu/hr			
		Dry Bulb °F	Wet Bulb °F	Dry Bulb °F	Wet Bulb °F					
90.0	99.6	75.0	63.0	56.4	53.8	22006	16826	28829	13.5	12.13
Heating Performance										
Fluid Temperature		Air Temperature		Capacity		Heat of Absorption Btu/hr	COP @ AHRI	Fluid Pressure Drop ft H ₂ O		
Entering °F	Leaving °F	Entering	Leaving	Total Btu/hr						
		Dry Bulb °F	Dry Bulb °F							
70.0	63.0	70.0	99.2	26549	21131	4.5	12.56			

*System WPD is calculated without the autoflow valve as the CV of an autoflow valve varies dependent on the system WPD. As long as the WPD is >3 psid, the autoflow valve will provide the selected GPM flowrate.

Electrical			
Unit Voltage	Minimum Voltage	Total Unit Full Load Current	Total Unit MCA
208-230/60/1	197.0 v	16.40 A	19.77 A
Compressor RLA	Compressor LRA	Motor FLA	Maximum Recommended Fuse Size / HACR Breaker Size
13.5 A	58.3 A	2.90 A	30 A

Physical						
Unit						
Depth	Height	Width	Weight		Connection	
			Shipping	Operating	Water	Condensate
21.50 in	39.00 in	21.50 in	197 lb	169 lb	0.75 in	0.75 in
Fan						
Motor Type			Motor Horsepower			
ECM Constant Torque			0.33 hp			

Unit Options

Controls

Unit Control:	Microtech III
Control Transformer:	Standard 50 VA Transformer
Thermostat / Sensor Control:	Thermostat Control

Unit Airflow Configuration

Return Air Location:	Right Hand
Discharge Air Location:	Top

Factory Mounted Options

Coaxial Heat Exchanger Options

Heat Exchanger:	Copper Inner Tube / Steel Outer Tube
------------------------	--------------------------------------

Construction Options

Drain Pan Material

Primary:	Stainless Steel
-----------------	-----------------

Filters

Filter Rack Type:	1-inch Rail
Filter Type:	Standard 1 inch
(Quantity) Filter Dimensions:	(1) 20 in x 20 in x 1 in

Insulation

Compressor Compartment:	1/2 inch Fiberglass, Skin-faced
Air Compartment:	1/2 inch Fiberglass, Skin-faced

Warranty

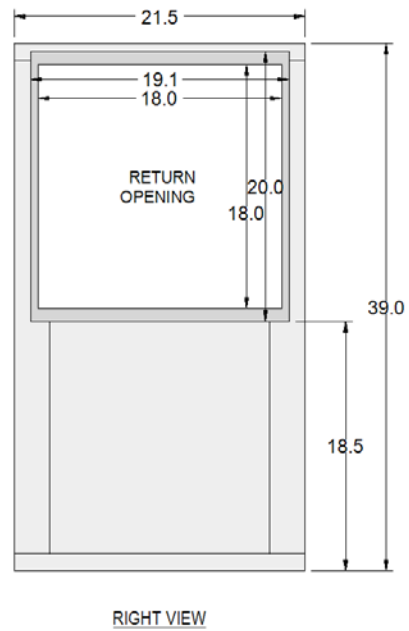
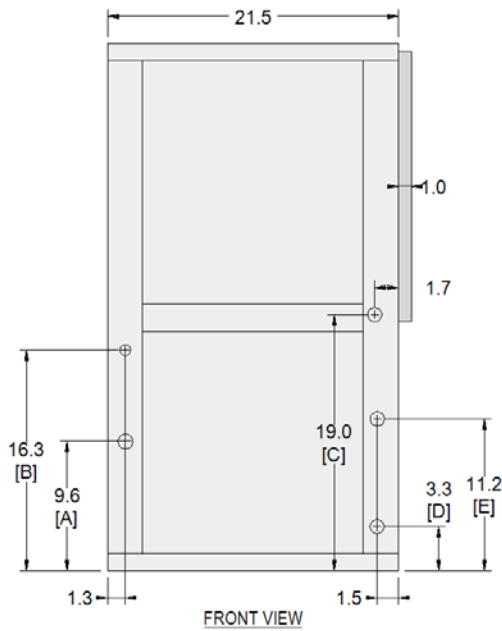
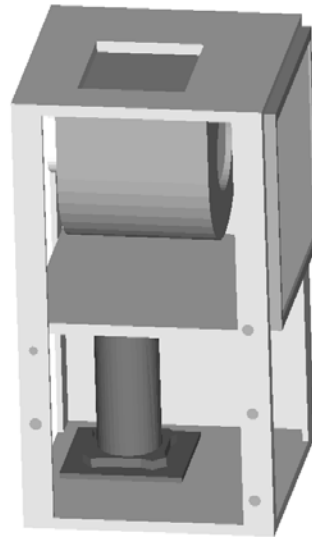
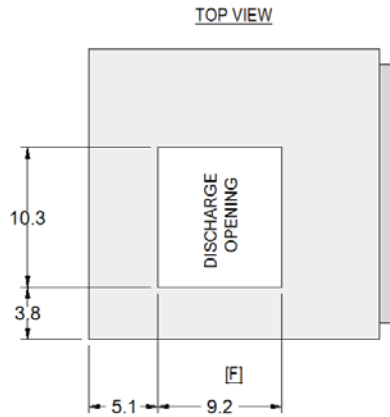
Unit Warranty:	1st Year Labor Allowance
-----------------------	--------------------------

AHRI Certification




All equipment is rated and certified in accordance with AHRI / ISO 13256-1 and tested, investigated, and determined to comply with the requirements of the standards for Heating and Cooling Equipment UL-1995 for the United States and CAN/CSA-C22.2 NO.236 for Canada.

3/4 VIEW - RIGHT HAND RETURN UNIT



NOTES		
[A] - High Volt Pwr Entry 1.1 DIA	[B] - Low Volt Pwr Entry 0.8 DIA	[C] - Condensate Drain 3/4" FPT
[D] - Supply Water 3/4" FPT	[E] - Return Water 3/4" FPT	[F] - Unit Front Service Clearance 24

Product Drawing	Unit Tag: 2.0 Ton RH			 13600 Industrial Park Blvd. Minneapolis, MN 55441 www.DaikinApplied.com Software Version: 07.20		
Product:	Project Name: SFL Parts WSHP Partners Program					
Model: WGCV024	Sales Office: Daikin Applied South Florida			Scale: NTS	Tolerance: +/-0.25"	Dwg Units: (in)
Sales Engineer:	Dec. 10, 2018	Ver/Rev:	Sheet 1 of 1			
No change to this drawing may be made unless approved in writing by Daikin Applied. Purchaser must determine that the equipment is fit and sufficient for the job specifications.						