



| Job Information | | Technical Data Sheet |
|-----------------|---------------------------------|----------------------|
| Job Name | SFL Parts WSHP Partners Program | |
| Unit Tag | 1.5 Ton RH | |

| Unit Overview | | | | | | | |
|---------------|-----------------------|----------------|-------------------|----------------------------|----------------------------------|----------------------------|----------------------------------|
| Model Number | Voltage V/Hz/Phase | Airflow CFM | Fluid Flow gpm | Cooling Capacity Btu/hr | Cooling Efficiency EER @ AHRI | Heating Capacity Btu/hr | Heating Efficiency COP @ AHRI |
| WGCV019 | 208-230/60/1 | 619 | 4.50 | 15828 | 14.3 | 20644 | 5.0 |

| Unit | | | |
|---------------|-------------------------------|--------------------|-----------------------------|
| Model Number: | WGCV019 | | |
| Unit Type: | Compact Vertical Single Stage | | |
| Approval: | ETL, CETL, AHRI | | |
| Configuration | Refrigerant Type | Refrigerant Weight | Loop Temperature Range |
| Vertical | R-410A | 29.0 oz | Water Loop (Standard Range) |

| Unit Performance | | | | | | | | | | |
|---------------------|---------------|--------------------------------|----------------|-------------------------|----------------|------------------------------|--------------------|--|------------|--|
| Air & Water Flow | | | | | | | | | | |
| Airflow | | Total External Static Pressure | | Fluid Flow | | Fluid Type | | Altitude | | |
| 619 CFM | | 0.30 inH ₂ O | | 4.50 gpm / 2.84 gpm/ton | | Water | | 0 ft | | |
| Cooling Performance | | | | | | | | | | |
| Fluid Temperature | | Air Temperature | | | | Capacity | | Heat of Rejection Btu/hr | EER @ AHRI | Fluid Pressure Drop ft H ₂ O |
| Entering °F | Leaving °F | Entering | | Leaving | | Total Btu/hr | Sensible Btu/hr | | | |
| | | Dry Bulb °F | Wet Bulb °F | Dry Bulb °F | Wet Bulb °F | | | | | |
| 90.0 | 99.1 | 75.0 | 63.0 | 56.8 | 54.0 | 15828 | 12201 | 20432 | 14.3 | 9.84 |
| Heating Performance | | | | | | | | | | |
| Fluid Temperature | | Air Temperature | | Capacity | | Heat of Absorption Btu/hr | COP @ AHRI | Fluid Pressure Drop ft H ₂ O | | |
| Entering °F | Leaving °F | Entering | | Leaving | | | | | | |
| | | Dry Bulb °F | Dry Bulb °F | Dry Bulb °F | Dry Bulb °F | | | | | |
| 70.0 | 62.7 | 70.0 | 100.7 | 20644 | 16362 | 5.0 | 10.19 | | | |

*System WPD is calculated without the autoflow valve as the CV of an autoflow valve varies dependent on the system WPD. As long as the WPD is >3 psid, the autoflow valve will provide the selected GPM flowrate.

| Electrical | | | |
|----------------|-----------------|------------------------------|---|
| Unit Voltage | Minimum Voltage | Total Unit Full Load Current | Total Unit MCA |
| 208-230/60/1 | 197.0 v | 9.10 A | 10.65 A |
| Compressor RLA | Compressor LRA | Motor FLA | Maximum Recommended Fuse Size / HACR Breaker Size |
| 6.2 A | 31.5 A | 2.90 A | 15 A |

| Physical | | | | | | |
|---------------------|----------|----------|------------------|-----------|------------|------------|
| Unit | | | | | | |
| Depth | Height | Width | Weight | | Connection | |
| | | | Shipping | Operating | Water | Condensate |
| 21.50 in | 32.00 in | 21.50 in | 174 lb | 146 lb | 0.50 in | 0.75 in |
| Fan | | | | | | |
| Motor Type | | | Motor Horsepower | | | |
| ECM Constant Torque | | | 0.33 hp | | | |

Unit Options

Controls

| | |
|-------------------------------------|----------------------------|
| Unit Control: | Microtech III |
| Control Transformer: | Standard 50 VA Transformer |
| Thermostat / Sensor Control: | Thermostat Control |

Unit Airflow Configuration

| | |
|--------------------------------|------------|
| Return Air Location: | Right Hand |
| Discharge Air Location: | Top |

Factory Mounted Options

Coaxial Heat Exchanger Options

| | |
|------------------------|--------------------------------------|
| Heat Exchanger: | Copper Inner Tube / Steel Outer Tube |
|------------------------|--------------------------------------|

Construction Options

Drain Pan Material

| | |
|-----------------|-----------------|
| Primary: | Stainless Steel |
|-----------------|-----------------|

Filters

| | |
|--------------------------------------|--------------------------|
| Filter Rack Type: | 1-inch Rail |
| Filter Type: | Standard 1 inch |
| (Quantity) Filter Dimensions: | (1) 16 in x 20 in x 1 in |

Insulation

| | |
|--------------------------------|---------------------------------|
| Compressor Compartment: | 1/2 inch Fiberglass, Skin-faced |
| Air Compartment: | 1/2 inch Fiberglass, Skin-faced |

Warranty

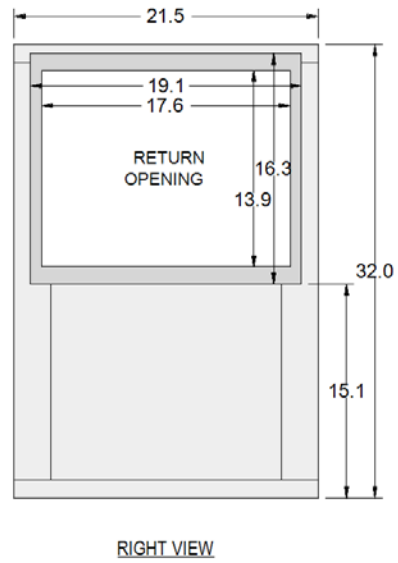
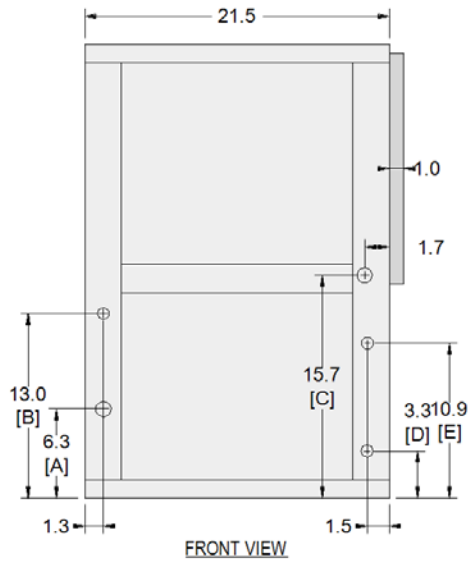
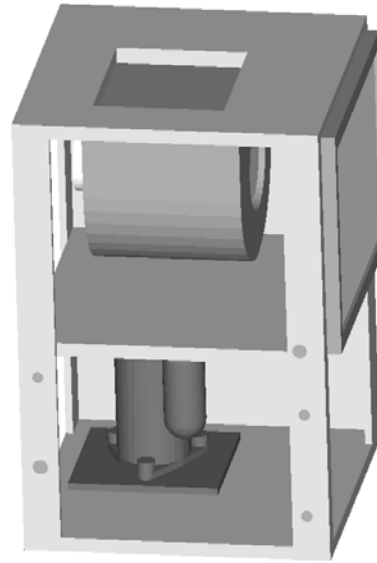
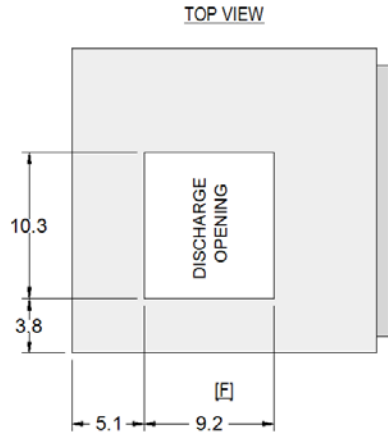
| | |
|-----------------------|--------------------------|
| Unit Warranty: | 1st Year Labor Allowance |
|-----------------------|--------------------------|

AHRI Certification




All equipment is rated and certified in accordance with AHRI / ISO 13256-1 and tested, investigated, and determined to comply with the requirements of the standards for Heating and Cooling Equipment UL-1995 for the United States and CAN/CSA-C22.2 NO.236 for Canada.

3/4 VIEW - RIGHT HAND RETURN UNIT



NOTES

| | | |
|-----------------------------------|----------------------------------|---------------------------------------|
| [A] - High Volt Pwr Entry 1.1 DIA | [B] - Low Volt Pwr Entry 0.8 DIA | [C] - Condensate Drain 3/4" FPT |
| [D] - Supply Water 1/2" FPT | [E] - Return Water 1/2" FPT | [F] - Unit Front Service Clearance 24 |

| | | | | | | |
|---|---|----------|--------------|---|---------------------|-----------------|
| Product Drawing | Unit Tag: 1.5 Ton RH | | |  13600 Industrial Park Blvd. Minneapolis, MN 55441 www.DaikinApplied.com Software Version: 07.20 | | |
| Product: | Project Name: SFL Parts WSHP Partners Program | | | | | |
| Model: WGCV019 | Sales Office: Daikin Applied South Florida | | | Scale: NTS | Tolerance: +/-0.25" | Dwg Units: (in) |
| Sales Engineer: | Dec. 10, 2018 | Ver/Rev: | Sheet 1 of 1 | | | |
| No change to this drawing may be made unless approved in writing by Daikin Applied. Purchaser must determine that the equipment is fit and sufficient for the job specifications. | | | | | | |