



| Job Information |                                 | Technical Data Sheet |
|-----------------|---------------------------------|----------------------|
| Job Name        | SFL Parts WSHP Partners Program |                      |
| Unit Tag        | 1.5 Ton LH                      |                      |

| Unit Overview |                    |             |                |                         |                               |                         |                               |
|---------------|--------------------|-------------|----------------|-------------------------|-------------------------------|-------------------------|-------------------------------|
| Model Number  | Voltage V/Hz/Phase | Airflow CFM | Fluid Flow gpm | Cooling Capacity Btu/hr | Cooling Efficiency EER @ AHRI | Heating Capacity Btu/hr | Heating Efficiency COP @ AHRI |
| WGCV019       | 208-230/60/1       | 619         | 4.50           | 15828                   | 14.3                          | 20644                   | 5.0                           |

| Unit          |                               |                    |                             |
|---------------|-------------------------------|--------------------|-----------------------------|
| Model Number: | WGCV019                       |                    |                             |
| Unit Type:    | Compact Vertical Single Stage |                    |                             |
| Approval:     | ETL, CETL, AHRI               |                    |                             |
| Configuration | Refrigerant Type              | Refrigerant Weight | Loop Temperature Range      |
| Vertical      | R-410A                        | 29.0 oz            | Water Loop (Standard Range) |

| Unit Performance    |            |                                |             |                         |             |                           |                 |   |            |   |
|---------------------|------------|--------------------------------|-------------|-------------------------|-------------|---------------------------|-----------------|---|------------|---|
| Air & Water Flow    |            |                                |             |                         |             |                           |                 |   |            |   |
| Airflow             |            | Total External Static Pressure |             | Fluid Flow              |             | Fluid Type                |                 | Altitude                                |            |   |
| 619 CFM             |            | 0.30 inH <sub>2</sub> O        |             | 4.50 gpm / 2.84 gpm/ton |             | Water                     |                 | 0 ft                                    |            |   |
| Cooling Performance |            |                                |             |                         |             |                           |                 |   |            |   |
| Fluid Temperature   |            | Air Temperature                |             |                         |             | Capacity                  |                 | Heat of Rejection Btu/hr                | EER @ AHRI | Fluid Pressure Drop ft H <sub>2</sub> O |
| Entering °F         | Leaving °F | Entering                       |             | Leaving                 |             | Total Btu/hr              | Sensible Btu/hr |   |            |   |
|                     |            | Dry Bulb °F                    | Wet Bulb °F | Dry Bulb °F             | Wet Bulb °F |                           |                 |   |            |   |
| 90.0                | 99.1       | 75.0                           | 63.0        | 56.8                    | 54.0        | 15828                     | 12201           | 20432                                   | 14.3       | 9.84                                    |
| Heating Performance |            |                                |             |                         |             |                           |                 |   |            |   |
| Fluid Temperature   |            | Air Temperature                |             | Capacity                |             | Heat of Absorption Btu/hr | COP @ AHRI      | Fluid Pressure Drop ft H <sub>2</sub> O |            |   |
| Entering °F         | Leaving °F | Entering                       | Leaving     | Total Btu/hr            |             |                           |                 |   |            |   |
|                     |            | Dry Bulb °F                    | Dry Bulb °F |                         |             |                           |                 |   |            |   |
| 70.0                | 62.7       | 70.0                           | 100.7       | 20644                   |             | 16362                     | 5.0             | 10.19                                   |            |   |

\*System WPD is calculated without the autoflow valve as the CV of an autoflow valve varies dependent on the system WPD. As long as the WPD is >3 psid, the autoflow valve will provide the selected GPM flowrate.

| Electrical     |                 |                              |   |
|----------------|-----------------|------------------------------|---|
| Unit Voltage   | Minimum Voltage | Total Unit Full Load Current | Total Unit MCA                                    |
| 208-230/60/1   | 197.0 v         | 9.10 A                       | 10.65 A   |
| Compressor RLA | Compressor LRA  | Motor FLA                    | Maximum Recommended Fuse Size / HACR Breaker Size |
| 6.2 A          | 31.5 A          | 2.90 A                       | 15 A  |

| Physical            |          |          |          |                  |            |            |  |
|---------------------|----------|----------|----------|------------------|------------|------------|--|
| Unit                |          |          |          |                  |            |            |  |
| Depth               | Height   | Width    | Weight   |                  | Connection |            |  |
|                     |          |          | Shipping | Operating        | Water      | Condensate |  |
| 21.50 in            | 32.00 in | 21.50 in | 174 lb   | 146 lb           | 0.50 in    | 0.75 in    |  |
| Fan                 |          |          |          |                  |            |            |  |
| Motor Type          |          |          |          | Motor Horsepower |            |            |  |
| ECM Constant Torque |          |          |          | 0.33 hp          |            |            |  |

## Unit Options

### Controls

|                                     |                            |
|-------------------------------------|----------------------------|
| <b>Unit Control:</b>                | Microtech III              |
| <b>Control Transformer:</b>         | Standard 50 VA Transformer |
| <b>Thermostat / Sensor Control:</b> | Thermostat Control         |

### Unit Airflow Configuration

|                                |           |
|--------------------------------|-----------|
| <b>Return Air Location:</b>    | Left Hand |
| <b>Discharge Air Location:</b> | Top       |

## Factory Mounted Options

### Coaxial Heat Exchanger Options

|                        |                                      |
|------------------------|--------------------------------------|
| <b>Heat Exchanger:</b> | Copper Inner Tube / Steel Outer Tube |
|------------------------|--------------------------------------|

## Construction Options

### Drain Pan Material

|                 |                 |
|-----------------|-----------------|
| <b>Primary:</b> | Stainless Steel |
|-----------------|-----------------|

### Filters

|                                      |                          |
|--------------------------------------|--------------------------|
| <b>Filter Rack Type:</b>             | 1-inch Rail              |
| <b>Filter Type:</b>                  | Standard 1 inch          |
| <b>(Quantity) Filter Dimensions:</b> | (1) 16 in x 20 in x 1 in |

### Insulation

|                                |                                 |
|--------------------------------|---------------------------------|
| <b>Compressor Compartment:</b> | 1/2 inch Fiberglass, Skin-faced |
| <b>Air Compartment:</b>        | 1/2 inch Fiberglass, Skin-faced |

## Warranty

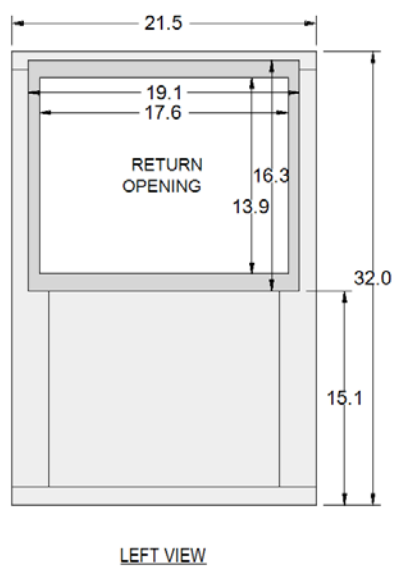
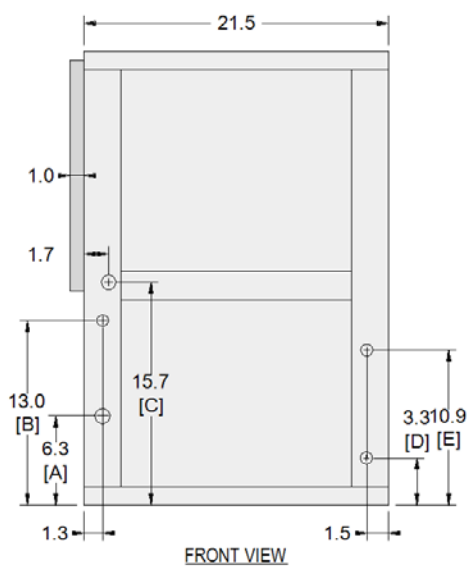
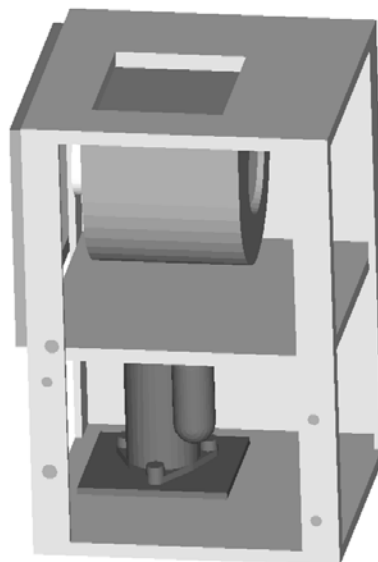
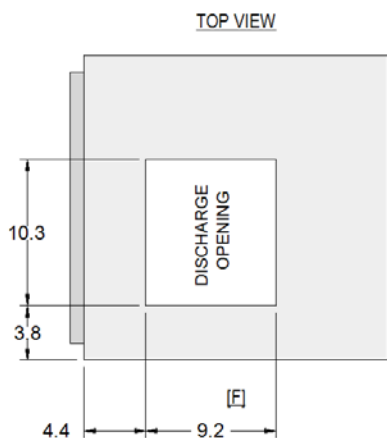
|                       |                          |
|-----------------------|--------------------------|
| <b>Unit Warranty:</b> | 1st Year Labor Allowance |
|-----------------------|--------------------------|

## AHRI Certification




All equipment is rated and certified in accordance with AHRI / ISO 13256-1 and tested, investigated, and determined to comply with the requirements of the standards for Heating and Cooling Equipment UL-1995 for the United States and CAN/CSA-C22.2 NO.236 for Canada.

3/4 VIEW - LEFT HAND RETURN UNIT



NOTES

|                                   |                                  |                                       |
|-----------------------------------|----------------------------------|---------------------------------------|
| [A] - High Volt Pwr Entry 1.1 DIA | [B] - Low Volt Pwr Entry 0.8 DIA | [C] - Condensate Drain 3/4" FPT       |
| [D] - Supply Water 1/2" FPT       | [E] - Return Water 1/2" FPT      | [F] - Unit Front Service Clearance 24 |

|   |   |          |              |   |                     |                 |
|---|---|----------|--------------|---|---------------------|-----------------|
| <b>Product Drawing</b>  | Unit Tag: 1.5 Ton LH                          |          |              | <br>13600 Industrial Park Blvd. Minneapolis, MN 55441<br>www.DaikinApplied.com Software Version: 07.20 |                     |                 |
| Product:  | Project Name: SFL Parts WSHP Partners Program |          |              |   |                     |                 |
| Model: WGCV019  | Sales Office: Daikin Applied South Florida    |          |              | Scale: NTS  | Tolerance: +/-0.25" | Dwg Units: (in) |
| Sales Engineer:   | Dec. 10, 2018                                 | Ver/Rev: | Sheet 1 of 1 |   |                     |                 |
| No change to this drawing may be made unless approved in writing by Daikin Applied. Purchaser must determine that the equipment is fit and sufficient for the job specifications. |   |          |              |   |                     |                 |