



Job Information		Technical Data Sheet
Job Name	SFL Parts WSHP Partners Program	
Unit Tag	1.0 Ton RH	

Unit Overview							
Model Number	Voltage V/Hz/Phase	Airflow CFM	Fluid Flow gpm	Cooling Capacity Btu/hr	Cooling Efficiency EER @ AHRI	Heating Capacity Btu/hr	Heating Efficiency COP @ AHRI
WGCV012	208-230/60/1	396	3.00	10119	13.2	13862	4.6

Unit			
Model Number:	WGCV012		
Unit Type:	Compact Vertical Single Stage		
Approval:	ETL, CETL, AHRI		
Configuration	Refrigerant Type	Refrigerant Weight	Loop Temperature Range
Vertical	R-410A	18.0 oz	Water Loop (Standard Range)

Unit Performance										
Air & Water Flow										
Airflow		Total External Static Pressure		Fluid Flow		Fluid Type		Altitude		
396 CFM		0.30 inH <sub>2</sub> O		3.00 gpm / 3.00 gpm/ton		Water		0 ft		
Cooling Performance										
Fluid Temperature		Air Temperature				Capacity		Heat of Rejection Btu/hr	EER @ AHRI	Fluid Pressure Drop ft H <sub>2</sub> O
Entering °F	Leaving °F	Entering		Leaving		Total Btu/hr	Sensible Btu/hr			
		Dry Bulb °F	Wet Bulb °F	Dry Bulb °F	Wet Bulb °F					
90.0	98.9	75.0	63.0	57.6	54.0	10119	7471	13283	13.2	8.00
Heating Performance										
Fluid Temperature		Air Temperature		Capacity		Heat of Absorption Btu/hr	COP @ AHRI	Fluid Pressure Drop ft H <sub>2</sub> O		
Entering °F	Leaving °F	Entering		Leaving						
		Dry Bulb °F	Dry Bulb °F	Dry Bulb °F	Dry Bulb °F					
70.0	62.8	70.0	102.2	13862	10770	4.6	8.28			

\*System WPD is calculated without the autoflow valve as the CV of an autoflow valve varies dependent on the system WPD. As long as the WPD is >3 psid, the autoflow valve will provide the selected GPM flowrate.

Electrical			
Unit Voltage	Minimum Voltage	Total Unit Full Load Current	Total Unit MCA
208-230/60/1	197.0 v	5.54 A	6.69 A
Compressor RLA	Compressor LRA	Motor FLA	Maximum Recommended Fuse Size / HACR Breaker Size
4.6 A	27.9 A	0.94 A	15 A

Physical						
Unit						
Depth	Height	Width	Weight		Connection	
			Shipping	Operating	Water	Condensate
19.00 in	24.00 in	19.00 in	133 lb	105 lb	0.50 in	0.75 in
Fan						
Motor Type				Motor Horsepower		
ECM Constant Torque				0.10 hp		

## Unit Options

### Controls

<b>Unit Control:</b>	Microtech III
<b>Control Transformer:</b>	Standard 50 VA Transformer
<b>Thermostat / Sensor Control:</b>	Thermostat Control

### Unit Airflow Configuration

<b>Return Air Location:</b>	Right Hand
<b>Discharge Air Location:</b>	Top

## Factory Mounted Options

### Coaxial Heat Exchanger Options

<b>Heat Exchanger:</b>	Copper Inner Tube / Steel Outer Tube
------------------------	--------------------------------------

## Construction Options

### Drain Pan Material

<b>Primary:</b>	Stainless Steel
-----------------	-----------------

### Filters

<b>Filter Rack Type:</b>	1-inch Rail
<b>Filter Type:</b>	Standard 1 inch
<b>(Quantity) Filter Dimensions:</b>	(1) 12 in x 16 in x 1 in

### Insulation

<b>Compressor Compartment:</b>	1/2 inch Fiberglass, Skin-faced
<b>Air Compartment:</b>	1/2 inch Fiberglass, Skin-faced

## Warranty

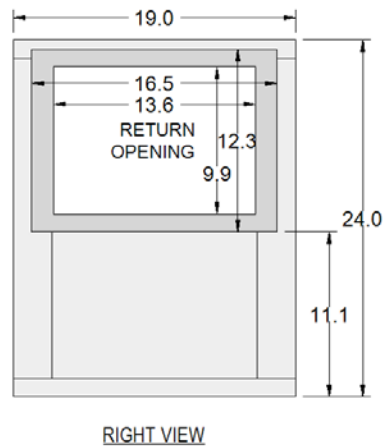
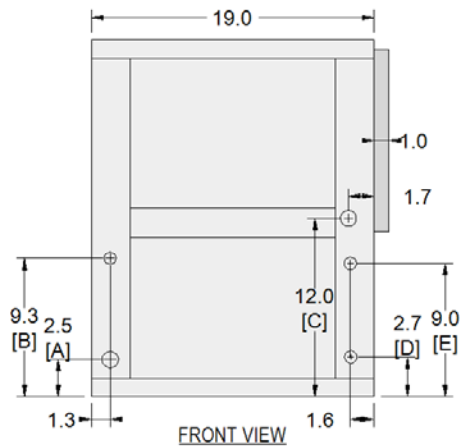
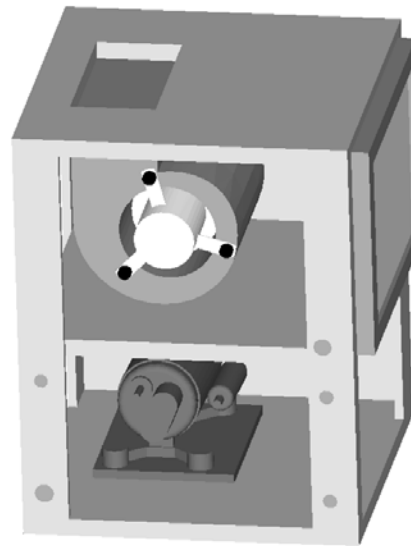
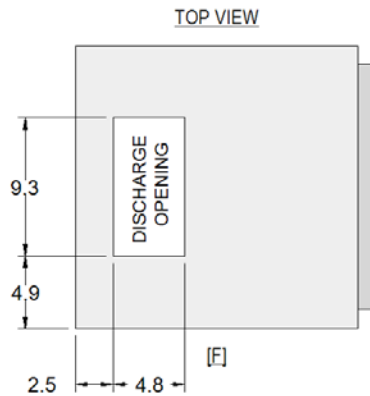
<b>Unit Warranty:</b>	1st Year Labor Allowance
-----------------------	--------------------------

## AHRI Certification



All equipment is rated and certified in accordance with AHRI / ISO 13256-1 and tested, investigated, and determined to comply with the requirements of the standards for Heating and Cooling Equipment UL-1995 for the United States and CAN/CSA-C22.2 NO.236 for Canada.

3/4 VIEW - RIGHT HAND RETURN UNIT



NOTES

[A] - High Volt Pwr Entry 1.1 DIA	[B] - Low Volt Pwr Entry 0.8 DIA	[C] - Condensate Drain 3/4" FPT
[D] - Supply Water 1/2" FPT	[E] - Return Water 1/2" FPT	[F] - Unit Front Service Clearance 24

<b>Product Drawing</b>	Unit Tag: 1.0 Ton RH			 13600 Industrial Park Blvd. Minneapolis, MN 55441 www.DaikinApplied.com      Software Version: 07.20		
Product:	Project Name: SFL Parts WSHP Partners Program					
Model: WGCV012	Sales Office: Daikin Applied South Florida			Scale: NTS	Tolerance: +/-0.25"	Dwg Units: (in)
Sales Engineer:	Dec. 10, 2018	Ver/Rev:	Sheet 1 of 1			
No change to this drawing may be made unless approved in writing by Daikin Applied. Purchaser must determine that the equipment is fit and sufficient for the job specifications.						