



# ENGINEERING DATA

**Inverter Split Unit Air Conditioner  
Wall Mounted  
Cooling Only & Heatpump [60Hz]**

**FTK-B & FTX-B Series**



**R410A**

ED5WM14S-NA23V1  
Supersede : ED5WM9S-NA21V1



---

# Table of Contents

<b>Introduction</b> .....	<b>1</b>
Model Name and Power Supply .....	1
Nomenclature .....	2
<b>Functions</b> .....	<b>3</b>
<b>Specifications</b> .....	<b>4</b>
<b>Dimensions</b> .....	<b>10</b>
<b>Wiring Diagrams</b> .....	<b>12</b>
<b>Piping Diagrams</b> .....	<b>14</b>
<b>Capacity Tables</b> .....	<b>20</b>
Capacity Tables .....	20
Capacity Correction Factor .....	28
<b>Operation Limit</b> .....	<b>30</b>
<b>Sound Level</b> .....	<b>31</b>
Measuring Location .....	31
Sound Pressure Level & NC Curve .....	32
<b>Electric Characteristic</b> .....	<b>44</b>
<b>Accessories List</b> .....	<b>45</b>



# Introduction

## Model Name and Power Supply

Mode	Indoor Unit	Outdoor Unit	Power Supply
Cooling Only	FTK09BXVJU	RK09BXVJU	1Phase, 208/230V, 60Hz
	FTK12BXVJU	RK12BXVJU	
	FTK18BXVJU	RK18BXVJU	
	FTK24BXVJU	RK24BXVJU	
Heatpump	FTX09BXVJU	RX09BXVJU	
	FTX12BXVJU	RX12BXVJU	
	FTX18BXVJU	RX18BXVJU	
	FTX24BXVJU	RX24BXVJU	

## Nomenclature

### Indoor Unit

Definition	Description
Unit Category	<b>F</b> : Air-Cooled Split Indoor Unit
Product Type	<b>T</b> : Wall Mounted
System	<b>K</b> : Inverter, Cooling Only <b>X</b> : Inverter, Heatpump
Capacity Indication*	<b>09</b> : 9,000 Btu/h
Major Design Category	<b>B</b> : B Series
Factory Origin	<b>X</b> : Malaysia
Power Supply	<b>VJ</b> : 208/230V / 1Phase / 60Hz
Country	<b>U</b> : United States

### Outdoor Unit

Definition	Description
Unit Category	<b>R</b> : Air-Cooled Split Outdoor Unit
System	<b>K</b> : Inverter, Cooling Only <b>X</b> : Inverter, Heatpump
Capacity Indication*	<b>09</b> : 9,000 Btu/h
Major Design Category	<b>B</b> : B Series
Factory Origin	<b>X</b> : Malaysia
Power Supply	<b>VJ</b> : 208/230V / 1Phase / 60Hz
Country	<b>U</b> : United States

**Remark:**

\*Capacity value under Nomenclature is an indication.  
Please refer to Specifications Data for exact capacity value.

# Functions

Category	Functions	FTK09/12B RK09/12B	FTK18/24B RK18/24B	FTX09/12B RX09/12B	FTX18/24B RX18/24B
Basic Function	Inverter	●	●	●	●
	Operation Limit for Cooling (°CDB)(O/D)	10 - 46	10 - 46	10 - 46	10 - 46
	Operation Limit for Cooling (°FDB)(O/D)	50 - 114.8	50 - 114.8	50 - 114.8	50 - 114.8
	Operation Limit for Heating (°CWB)(O/D)	-	-	-15 - 18	-15 - 18
	Operation Limit for Heating (°FWB)(O/D)	-	-	5 - 64.4	5 - 64.4
Compressor	Scroll Compressor	-	-	-	-
	Swing Compressor	●	●	●	●
	Rotary Compressor	-	-	-	-
Comfortable Airflow	Power-airflow Flap	●	-	●	-
	Power-airflow Dual Flaps	-	●	-	●
	Power-airflow Diffuser	-	-	-	-
	Wide Angle Louvers	●	●	●	●
	Vertical Auto-Swing (Up and Down)	●	●	●	●
	Horizontal Auto-Swing (Right and Left)	-	-	-	-
	3D Airflow	-	-	-	-
Comfort Control	Breeze Airflow	-	-	-	-
	Auto Fan Speed	●	●	●	●
	Indoor Unit Quiet Operation	●	●	●	●
	Intelligent Eye Operation	-	-	-	-
Operation	Automatic Defrosting	-	-	●	●
	Automatic Operation	-	-	●	●
	Programme Dry Function	●	●	●	●
Lifestyle Convenience	Fan Only	●	●	●	●
	Powerful Operation (Non Inverter)	-	-	-	-
	Inverter Powerful Operation	●	●	●	●
	Energy Saving Function	●	●	●	●
	Sleep Mode	●	●	●	●
	Indoor Unit ON/OFF Button	●	●	●	●
	R/C with Backlight	●	●	●	●
Health & Clean	Signal Receiving Sign (R/C)	●	●	●	●
	Set Temperature Display (R/C)	●	●	●	●
	Saranet Filter	-	-	-	-
	Anti-virus Filter / Gin-ION Filter	-	-	-	-
	Catechin Filter / Green Tea Filter	●	●	●	●
	Titanium Apatite Air-Purifying Filter	●	●	●	●
	PM 2.5 Filter	-	-	-	-
Timer	Streamer	-	-	-	-
	Plasma	-	-	-	-
	Wipe Clean Flat Panel	●	●	●	●
Worry Free (Reliability & Durability)	Weekly Timer Operation (Wired R/C)	-	-	-	-
	24-hour ON/OFF Timer (R/C)	●	●	●	●
	Countdown ON/OFF Timer (R/C)	-	-	-	-
Flexibility	Auto Restart (after Power Failure)	●	●	●	●
	Self-diagnosis	●	●	●	●
Remote Control	Anti-corrosion Treatment of Outdoor Heat Exchanger	Blue Fin	Blue Fin	Blue Fin	Blue Fin
	Pre-charged Piping Length	32-13/16 ft	32-13/16 ft	32-13/16 ft	32-13/16 ft
	Either Side Drain (Right or Left)	●	●	●	●
Remote Controller	WIFI Connectivity	●*	●*	●*	●*
	BAG Connectivity	●*	●*	●*	●*
	DIII-NET Connectivity	-	-	-	-
Remote Controller	Wireless	BRC52B64	BRC52B64	BRC52B63	BRC52B63
	Wired (Optional)	BRC51D61	BRC51D61	BRC51D61	BRC51D61

Note: ● : Available

- : Not Available

●\* : Optional (Refer to DAMA Spare Part team for more details on optional items.)

# Specifications

## Cooling Only

MODEL	INDOOR UNIT		FTK09B		FTK12B	
	OUTDOOR UNIT		RK09B		RK12B	
Rated Capacity (Min. ~ Max.)	kW		2.61 (1.30 - 3.00)		3.20 (1.30 - 3.90)	
	Btu/h		8900 (4400 - 10200)		10900 (4400 - 13300)	
Moisture Removal	gal/h		0.09		0.18	
Rated Running Current	A		3.40		3.95	
Rated Power Consumption	W		712		872	
EER2	Btu/h/W				12.5	
SEER2					20.0	
Power Factor (Rated)					N/A	
Piping Connections	Liquid	inch (mm)			1/4" (6.35)	
	Gas	inch (mm)			3/8" (9.52)	
Refrigerant	Type				R410A	
	Charge	lbs (kg)	1.54 (0.7)		2.09 (0.95)	
Max. Interunit Piping Length	ft (m)				65-5/8 (20)	
Max. Interunit Height Difference	ft (m)				49-1/4 (15)	
Chargeless	ft (m)				32-13/16 (10)	
Amount of Additional Charge of Refrigerant	oz/ft (g/m)				0.21 (20)	
Drawing No.					3D143694C	
	INDOOR UNIT		FTK09B		FTK12B	
Front Panel Colour					WHITE	
Airflow Rate	Turbo	CFM	466		473	
	High	CFM	431		436	
	Medium	CFM	322		316	
	Low	CFM	249		247	
	Quiet	CFM	142		132	
Sound Pressure Level (H/M/L/Q)	dBA		44/37/30/19		46/38/32/19	
Fan	Type				CROSS FLOW	
	Drive				DIRECT	
	Speed				3 STEPS, QUIET, AUTO, TURBO	
Fan Motor	Type				DIRECT CURRENT	
	Motor Output	W			22	
	Running Current (Rated)	A			0.10	
	Power Consumption (Rated)	W			29	
Air Direction Control					UP, DOWN, LEFT, RIGHT	
Air Filter					CATECHIN	
Dimensions (H x W x D)	inch (mm)		11-1/3 x 30-29/32 x 9-27/32 (288 x 785 x 250)			
Packaged Dimensions (H x W x D)	inch (mm)		13-7/8 x 32-3/4 x 12-3/8 (350 x 830 x 314)			
Weight	lbs (kg)		20.3 (9.2)		21.4 (9.7)	
Gross Weight	lbs (kg)		24.7 (11.2)		25.8 (11.7)	
Condensate Drain Size	inch (mm)				5/8 (16)	
Document No.					3D143550B	
	OUTDOOR UNIT		RK09B		RK12B	
Casing Colour					IVORY WHITE	
Airflow Rate	High	CFM	1083		1051	
Sound Pressure Level	dBA		46		49	
Fan	Type				PROPELLER	
	Drive				DIRECT	
Fan Motor	Type				DIRECT CURRENT	
	Index of protection (IP)				24	
	Insulation Grade				E	
	Running Current (Rated)	A	0.60		0.61	
	Power Consumption (Rated)	W	32		46	
	Motor Output	W			26	
Compressor	Type				HERMETIC SWING	
	Model				1YC23AUXDA	
	Oil type				DAPHNE FVC50K	
	Oil amount	oz (cm <sup>3</sup> )			12.4 (375)	
Heat Exchanger Type					FIN TUBE	
Dimensions (H x W x D)	inch (mm)		21-11/16 x 26-1/2 x 11-3/16 (550 x 675 x 284)			
Packaged Dimensions (H x W x D)	inch (mm)		24-1/64 x 31-3/8 x 15-1/8 (610 x 801 x 384)			
Weight	lbs (kg)		53 (24)		60 (27)	
Gross Weight	lbs (kg)		60 (27)		66 (30)	
Document No.					3D143595A	

1) ALL UNITS ARE BEING TESTED ACCORDING TO AHRI 210/240 STANDARD.  
 2) ALL SPECIFICATIONS ARE SUBJECT TO CHANGE BY THE MANUFACTURER WITHOUT PRIOR NOTICE.

COOLING
INDOOR: 80°FDB (26.7°CDB) / 67°FWB (19.4°CWB)
OUTDOOR: 95°FDB (35°CDB)



MODEL	INDOOR UNIT		FTK18B		FTK24B	
	OUTDOOR UNIT		RK18B		RK24B	
Rated Capacity (Min. ~ Max.)	kW		5.28 (2.02 - 5.86)		6.21 (2.05 - 7.03)	
	Btu/h		18000 (6900 - 20000)		21200 (7000 - 24000)	
Moisture Removal	gal/h		0.41		0.63	
Rated Running Current	A		6.39		7.56	
Rated Power Consumption	W		1440		1738	
EER2	Btu/h/W		12.5		12.2	
SEER2					20.0	
Power Factor (Rated)					N/A	
Piping Connections	Liquid	inch (mm)			1/4" (6.35)	
	Gas	inch (mm)	1/2" (12.70)		5/8" (15.88)	
Refrigerant	Type				R410A	
	Charge	lbs (kg)	3.20 (1.45)		3.86 (1.75)	
Max. Interunit Piping Length	ft (m)				98-1/2 (30)	
Max. Interunit Height Difference	ft (m)				65-5/8 (20)	
Chargeless	ft (m)				32-13/16 (10)	
Amount of Additional Charge of Refrigerant	oz/ft (g/m)				0.21 (20)	
Drawing No.					3D143694C	
INDOOR UNIT			FTK18B		FTK24B	
Front Panel Colour					WHITE	
Airflow Rate	Turbo	CFM			754	
	High	CFM			716	
	Medium	CFM			605	
	Low	CFM			467	
	Quiet	CFM			395	
Sound Pressure Level (H/M/L/Q)	dBA		49/44/38/33		53/45/39/34	
Fan	Type				CROSS FLOW	
	Drive				DIRECT	
	Speed				3 STEPS, QUIET, AUTO, TURBO	
Fan Motor	Type				DIRECT CURRENT	
	Motor Output	W			39	
	Running Current (Rated)	A			0.17	
	Power Consumption (Rated)	W			54	
Air Direction Control					UP, DOWN, LEFT, RIGHT	
Air Filter					CATECHIN	
Dimensions (H x W x D)	inch (mm)				11-11/16 x 39-1/2 x 11-1/3 (297 x 1005 x 288)	
Packaged Dimensions (H x W x D)	inch (mm)				14-1/4 x 42-1/4 x 14-1/8 (362 x 1073 x 358)	
Weight	lbs (kg)				31 (14.0)	
Gross Weight	lbs (kg)				36 (16.5)	
Condensate Drain Size	inch (mm)				5/8 (16)	
Document No.					3D143550B	
OUTDOOR UNIT			RK18B		RK24B	
Casing Colour					IVORY WHITE	
Airflow Rate	High	CFM	1987		1879	
Sound Pressure Level	dBA		54		55	
Fan	Type				PROPELLER	
	Drive				DIRECT	
Fan Motor	Type				DIRECT CURRENT	
	Index of protection (IP)				23	
	Insulation Grade				E	
	Running Current (Rated)	A			1.30	
	Power Consumption (Rated)	W	85		88	
	Motor Output	W			55	
	Poles				8	
Compressor	Type				HERMETIC SWING	
	Model				2Y147AKCX2A	
	Oil type				DAPHNE FVC50K	
	Oil amount	oz (cm <sup>3</sup> )			21.5 (650)	
Heat Exchanger Type					FIN TUBE	
Dimensions (H x W x D)	inch (mm)				27-13/32 x 36-5/8 x 13-13/16 (696 x 930 x 351)	
Packaged Dimensions (H x W x D)	inch (mm)				29-7/8 x 42-3/8 x 18-7/8 (760 x 1075 x 480)	
Weight	lbs (kg)		95 (43)		101 (46)	
Gross Weight	lbs (kg)		104 (47)		110 (50)	
Document No.					3D143595A	

1) ALL UNITS ARE BEING TESTED ACCORDING TO AHRI 210/240 STANDARD.  
 2) ALL SPECIFICATIONS ARE SUBJECT TO CHANGE BY THE MANUFACTURER WITHOUT PRIOR NOTICE.

COOLING	
INDOOR: 80°FDB (26.7°CDB) / 67°FWB (19.4°CWB)	
OUTDOOR: 95°FDB (35°CDB)	

## Heatpump

MODEL	INDOOR UNIT		FTX09B	
	OUTDOOR UNIT		RX09B	
			Cooling	Heating
Rated Capacity (Min. ~ Max.)	kW		2.61 (1.30 - 3.00)	2.93 (1.30 - 3.80)
	Btu/h		8900 (4400 - 10200)	10000 (4400 - 13000)
Moisture Removal	gal/h		0.09	
Rated Running Current	A		3.40	3.44
Rated Power Consumption	W		712	719
EER2	Btu/h/W		12.5	N/A
SEER2			20.0	N/A
COP	W/W		N/A	4.06
HSPF2			N/A	10.0
Power Factor (Rated)			N/A	
Piping	Liquid	inch (mm)	1/4" (6.35)	
Connections	Gas	inch (mm)	3/8" (9.52)	
Refrigerant	Type		R410A	
	Charge	lbs (kg)	1.54 (0.7)	
Max. Interunit Piping Length	ft (m)		65-5/8 (20)	
Max. Interunit Height Difference	ft (m)		49-1/4 (15)	
Chargeless	ft (m)		32-13/16 (10)	
Amount of Additional Charge of Refrigerant	oz/ft (g/m)		0.21 (20)	
Drawing No.			3D143694C	
INDOOR UNIT			FTX09B	
Front Panel Colour			WHITE	
Airflow Rate	Turbo	CFM	466	
	High	CFM	431	402
	Medium	CFM	322	
	Low	CFM	249	
	Quiet	CFM	142	219
Sound Pressure Level (H/M/L/Q)	dBA		44/37/30/19	43/36/30/25
Fan	Type		CROSS FLOW	
	Drive		DIRECT	
	Speed		3 STEPS, QUIET, AUTO, TURBO	
Fan Motor	Type		DIRECT CURRENT	
	Motor Output	W	22	
	Running Current (Rated)	A	0.10	
	Power Consumption (Rated)	W	29	
Air Direction Control			UP, DOWN, LEFT, RIGHT	
Air Filter			CATECHIN	
Dimensions (H x W x D)	inch (mm)		11-1/3 x 30-29/32 x 9-27/32 (288 x 785 x 250)	
Packaged Dimensions (H x W x D)	inch (mm)		13-7/8 x 32-3/4 x 12-3/8 (350 x 830 x 314)	
Weight	lbs (kg)		20.3 (9.2)	
Gross Weight	lbs (kg)		24.7 (11.2)	
Condensate Drain Size	inch (mm)		5/8 (16)	
Document No.			3D143550B	
OUTDOOR UNIT			RX09B	
Casing Colour			IVORY WHITE	
Airflow Rate	High	CFM	1083	1103
Sound Pressure Level		dBA	46	48
Fan	Type		PROPELLER	
	Drive		DIRECT	
Fan Motor	Type		DIRECT CURRENT	
	Index of protection (IP)		24	
	Insulation Grade		E	
	Running Current (Rated)	A	0.60	
	Power Consumption (Rated)	W	32	
	Motor Output	W	26	
Compressor	Poles		8	
	Type		HERMETIC SWING	
	Model		1YC23AUXDA	
	Oil type		DAPHNE FVC50K	
	Oil amount	oz (cm <sup>3</sup> )	12.4 (375)	
Heat Exchanger Type			FIN TUBE	
Dimensions (H x W x D)	inch (mm)		21-11/16 x 26-1/2 x 11-3/16 (550 x 675 x 284)	
Packaged Dimensions (H x W x D)	inch (mm)		24-1/64 x 31-3/8 x 15-1/8 (610 x 801 x 384)	
Weight	lbs (kg)		55 (25)	
Gross Weight	lbs (kg)		62 (28)	
Document No.			3D143595A	

1) ALL UNITS ARE BEING TESTED ACCORDING TO AHRI 210/240 STANDARD.

2) ALL SPECIFICATIONS ARE SUBJECT TO CHANGE BY THE MANUFACTURER WITHOUT PRIOR NOTICE.

COOLING		HEATING	
INDOOR: 80°FDB (26.7°CDB) / 67°FWB (19.4°CWB)		INDOOR: 70°FDB (21.1°CDB)	
OUTDOOR: 95°FDB (35°CDB)		OUTDOOR: 47°FDB (8.3°CDB) / 43°FWB(6.1°CWB)	

MODEL	INDOOR UNIT		FTX12B	
	OUTDOOR UNIT		RX12B	
		Cooling		Heating
Rated Capacity (Min. ~ Max.)	kW	3.20 (1.30 - 3.90)		3.96 (1.30 - 4.80)
	Btu/h	10900 (4400 - 13300)		13500 (4400 - 16400)
Moisture Removal	gal/h	0.18		
Rated Running Current	A	3.95		4.70
Rated Power Consumption	W	872		1038
EER2	Btu/h/W	12.5		N/A
SEER2		20.0		N/A
COP	W/W	N/A		3.80
HSPF2		N/A		10.0
Power Factor (Rated)	N/A			
Piping Connections	Liquid	inch (mm)	1/4" (6.35)	
	Gas	inch (mm)	3/8" (9.52)	
Refrigerant	Type	R410A		
	Charge	lbs (kg)	2.09 (0.95)	
Max. Interunit Piping Length	ft (m)	65-5/8 (20)		
Max. Interunit Height Difference	ft (m)	49-1/4 (15)		
Chargeless	ft (m)	32-13/16 (10)		
Amount of Additional Charge of Refrigerant	oz/ft (g/m)	0.21 (20)		
Drawing No.	3D143694C			
		INDOOR UNIT		
		FTX12B		
Front Panel Colour	WHITE			
Airflow Rate	Turbo	CFM	473	
	High	CFM	436	412
	Medium	CFM	316	
	Low	CFM	247	
	Quiet	CFM	132	210
Sound Pressure Level (H/M/L/Q)	dBA	46/38/32/19		45/37/31/26
Fan	Type	CROSS FLOW		
	Drive	DIRECT		
	Speed	3 STEPS, QUIET, AUTO, TURBO		
Fan Motor	Type	DIRECT CURRENT		
	Motor Output	W	22	
	Running Current (Rated)	A	0.10	
	Power Consumption (Rated)	W	29	
Air Direction Control	UP, DOWN, LEFT, RIGHT			
Air Filter	CATECHIN			
Dimensions (H x W x D)	inch (mm)	11-1/3 x 30-29/32 x 9-27/32 (288 x 785 x 250)		
Packaged Dimensions (H x W x D)	inch (mm)	13-7/8 x 32-3/4 x 12-3/8 (350 x 830 x 314)		
Weight	lbs (kg)	21.4 (9.7)		
Gross Weight	lbs (kg)	25.8 (11.7)		
Condensate Drain Size	inch (mm)	5/8 (16)		
Document No.	3D143550B			
		OUTDOOR UNIT		
		RX12B		
Casing Colour	IVORY WHITE			
Airflow Rate	High	CFM	1051	966
Sound Pressure Level		dBA	49	
Fan	Type	PROPELLER		
	Drive	DIRECT		
Fan Motor	Type	DIRECT CURRENT		
	Index of protection (IP)	24		
	Insulation Grade	E		
	Running Current (Rated)	A	0.61	
	Power Consumption (Rated)	W	46	
	Motor Output	W	26	
Compressor	Poles	8		
	Type	HERMETIC SWING		
	Model	1YC23AUXDA		
	Oil type	DAPHNE FVC50K		
	Oil amount	oz (cm <sup>3</sup> )	12.4 (375)	
Heat Exchanger Type	FIN TUBE			
Dimensions (H x W x D)	inch (mm)	21-11/16 x 26-1/2 x 11-3/16 (550 x 675 x 284)		
Packaged Dimensions (H x W x D)	inch (mm)	24-1/64 x 31-3/8 x 15-1/8 (610 x 801 x 384)		
Weight	lbs (kg)	62 (28)		
Gross Weight	lbs (kg)	68 (31)		
Document No.	3D143595A			

1) ALL UNITS ARE BEING TESTED ACCORDING TO AHRI 210/240 STANDARD.  
 2) ALL SPECIFICATIONS ARE SUBJECTED TO CHANGE BY THE MANUFACTURER WITHOUT PRIOR NOTICE.

COOLING		HEATING	
INDOOR: 80°FDB (26.7°CDB) / 67°FWB (19.4°CWB)		INDOOR: 70°FDB (21.1°CDB)	
OUTDOOR: 95°FDB (35°CDB)		OUTDOOR: 47°FDB (8.3°CDB) / 43°FWB (6.1°CWB)	

Specifications

MODEL	INDOOR UNIT		FTX18B	
	OUTDOOR UNIT		RX18B	
			Cooling	Heating
Rated Capacity (Min. ~ Max.)	kW		5.28 (2.02 - 5.86)	6.33 (1.70 - 7.03)
	Btu/h		18000 (6900 - 20000)	21600 (5800 - 24000)
Moisture Removal	gal/h		0.41	
Rated Running Current	A		6.39	7.71
Rated Power Consumption	W		1440	1756
EER2	Btu/h/W		12.5	N/A
SEER2			20.0	N/A
COP	W/W		N/A	3.60
HSPF2			N/A	9.0
Power Factor (Rated)			N/A	
Piping Connections	Liquid	inch (mm)	1/4" (6.35)	
	Gas	inch (mm)	1/2" (12.70)	
Refrigerant	Type		R410A	
	Charge	lbs (kg)	3.20 (1.45)	
Max. Interunit Piping Length	ft (m)		98-1/2 (30)	
Max. Interunit Height Difference	ft (m)		65-5/8 (20)	
Chargeless	ft (m)		32-13/16 (10)	
Amount of Additional Charge of Refrigerant	oz/ft (g/m)		0.21 (20)	
Drawing No.			3D143694C	
INDOOR UNIT		FTX18B		
Front Panel Colour			WHITE	
Airflow Rate	Turbo	CFM	754	
	High	CFM	716	
	Medium	CFM	605	
	Low	CFM	467	
	Quiet	CFM	395	
Sound Pressure Level (H/M/L/Q)	dBA		49/44/38/33	49/42/37/33
Fan	Type		CROSS FLOW	
	Drive		DIRECT	
	Speed		3 STEPS, QUIET, AUTO, TURBO	
Fan Motor	Type		DIRECT CURRENT	
	Motor Output	W	39	
	Running Current (Rated)	A	0.17	
	Power Consumption (Rated)	W	54	
Air Direction Control			UP, DOWN, LEFT, RIGHT	
Air Filter			CATECHIN	
Dimensions (H x W x D)	inch (mm)		11-11/16 x 39-1/2 x 11-1/3 (297 x 1005 x 288)	
Packaged Dimensions (H x W x D)	inch (mm)		14-1/4 x 42-1/4 x 14-1/8 (362 x 1073 x 358)	
Weight	lbs (kg)		31 (14.0)	
Gross Weight	lbs (kg)		36 (16.5)	
Condensate Drain Size	inch (mm)		5/8 (16)	
Document No.			3D143550B	
OUTDOOR UNIT		RX18B		
Casing Colour			IVORY WHITE	
Airflow Rate	High	CFM	1987	1952
Sound Pressure Level		dBA	54	
Fan	Type		PROPELLER	
	Drive		DIRECT	
Fan Motor	Type		DIRECT CURRENT	
	Index of protection (IP)		23	
	Insulation Grade		E	
	Running Current (Rated)	A	1.30	
	Power Consumption (Rated)	W	85	
	Motor Output	W	55	
Compressor	Poles		8	
	Type		HERMETIC SWING	
	Model		2Y147AKCX2A	
	Oil type		DAPHNE FVC50K	
	Oil amount	oz (cm <sup>3</sup> )	21.5 (650)	
Heat Exchanger Type			FIN TUBE	
Dimensions (H x W x D)	inch (mm)		27-13/32 x 36-5/8 x 13-13/16 (696 x 930 x 351)	
Packaged Dimensions (H x W x D)	inch (mm)		29-7/8 x 42-3/8 x 18-7/8 (760 x 1075 x 480)	
Weight	lbs (kg)		97 (44)	
Gross Weight	lbs (kg)		106 (48)	
Document No.			3D143595A	

1) ALL UNITS ARE BEING TESTED ACCORDING TO AHRI 210/240 STANDARD.  
 2) ALL SPECIFICATIONS ARE SUBJECTED TO CHANGE BY THE MANUFACTURER WITHOUT PRIOR NOTICE.

COOLING		HEATING	
INDOOR: 80°FDB (26.7°CDB) / 67°FWB (19.4°CWB)		INDOOR: 70°FDB (21.1°CDB)	
OUTDOOR: 95°FDB (35°CDB)		OUTDOOR: 47°FDB (8.3°CDB) / 43°FWB (6.1°CWB)	

MODEL	INDOOR UNIT		FTX24B	
	OUTDOOR UNIT		RX24B	
		Cooling		Heating
Rated Capacity (Min. ~ Max.)	kW	6.21 (2.05 - 7.03)		6.92 (1.82 - 8.10)
	Btu/h	21200 (7000 - 24000)		23600 (6200 - 27600)
Moisture Removal	gal/h	0.63		
Rated Running Current	A	7.56		8.72
Rated Power Consumption	W	1738		2005
EER2	Btu/h/W	12.2		N/A
SEER2		20.0		N/A
COP	W/W	N/A		3.45
HSPF2		N/A		9.0
Power Factor (Rated)	N/A			
Piping Connections	Liquid	inch (mm)	1/4" (6.35)	
	Gas	inch (mm)	5/8" (15.88)	
Refrigerant	Type	R410A		
	Charge	lbs (kg)	3.86 (1.75)	
Max. Interunit Piping Length	ft (m)	98-1/2 (30)		
Max. Interunit Height Difference	ft (m)	65-5/8 (20)		
Chargeless	ft (m)	32-13/16 (10)		
Amount of Additional Charge of Refrigerant	oz/ft (g/m)	0.21 (20)		
Drawing No.	3D143694C			
		INDOOR UNIT		
		FTX24B		
Front Panel Colour	WHITE			
Airflow Rate	Turbo	CFM	754	
	High	CFM	716	
	Medium	CFM	605	
	Low	CFM	467	
	Quiet	CFM	395	
Sound Pressure Level (H/M/L/Q)	dB(A)	53/45/39/34		53/43/38/34
Fan	Type	CROSS FLOW		
	Drive	DIRECT		
	Speed	3 STEPS, QUIET, AUTO, TURBO		
Fan Motor	Type	DIRECT CURRENT		
	Motor Output	W	39	
	Running Current (Rated)	A	0.17	
	Power Consumption (Rated)	W	54	
Air Direction Control	UP, DOWN, LEFT, RIGHT			
Air Filter	CATECHIN			
Dimensions (H x W x D)	inch (mm)	11-11/16 x 39-1/2 x 11-1/3 (297 x 1005 x 288)		
Packaged Dimensions (H x W x D)	inch (mm)	14-1/4 x 42-1/4 x 14-1/8 (362 x 1073 x 358)		
Weight	lbs (kg)	31 (14.0)		
Gross Weight	lbs (kg)	36 (16.5)		
Condensate Drain Size	inch (mm)	5/8 (16)		
Document No.	3D143550B			
		OUTDOOR UNIT		
		RX24B		
Casing Colour	IVORY WHITE			
Airflow Rate	High	CFM	1879	1833
Sound Pressure Level		dB(A)	55	
Fan	Type	PROPELLER		
	Drive	DIRECT		
Fan Motor	Type	DIRECT CURRENT		
	Index of protection (IP)	23		
	Insulation Grade	E		
	Running Current (Rated)	A	1.30	
	Power Consumption (Rated)	W	88	
	Motor Output	W	55	
Compressor	Poles	8		
	Type	HERMETIC SWING		
	Model	2Y147AKCX2A		
	Oil type	DAPHNE FVC50K		
	Oil amount	oz (cm <sup>3</sup> )	21.5 (650)	
Heat Exchanger Type	FIN TUBE			
Dimensions (H x W x D)	inch (mm)	27-13/32 x 36-5/8 x 13-13/16 (696 x 930 x 351)		
Packaged Dimensions (H x W x D)	inch (mm)	29-7/8 x 42-3/8 x 18-7/8 (760 x 1075 x 480)		
Weight	lbs (kg)	104 (47)		
Gross Weight	lbs (kg)	112 (51)		
Document No.	3D143595A			

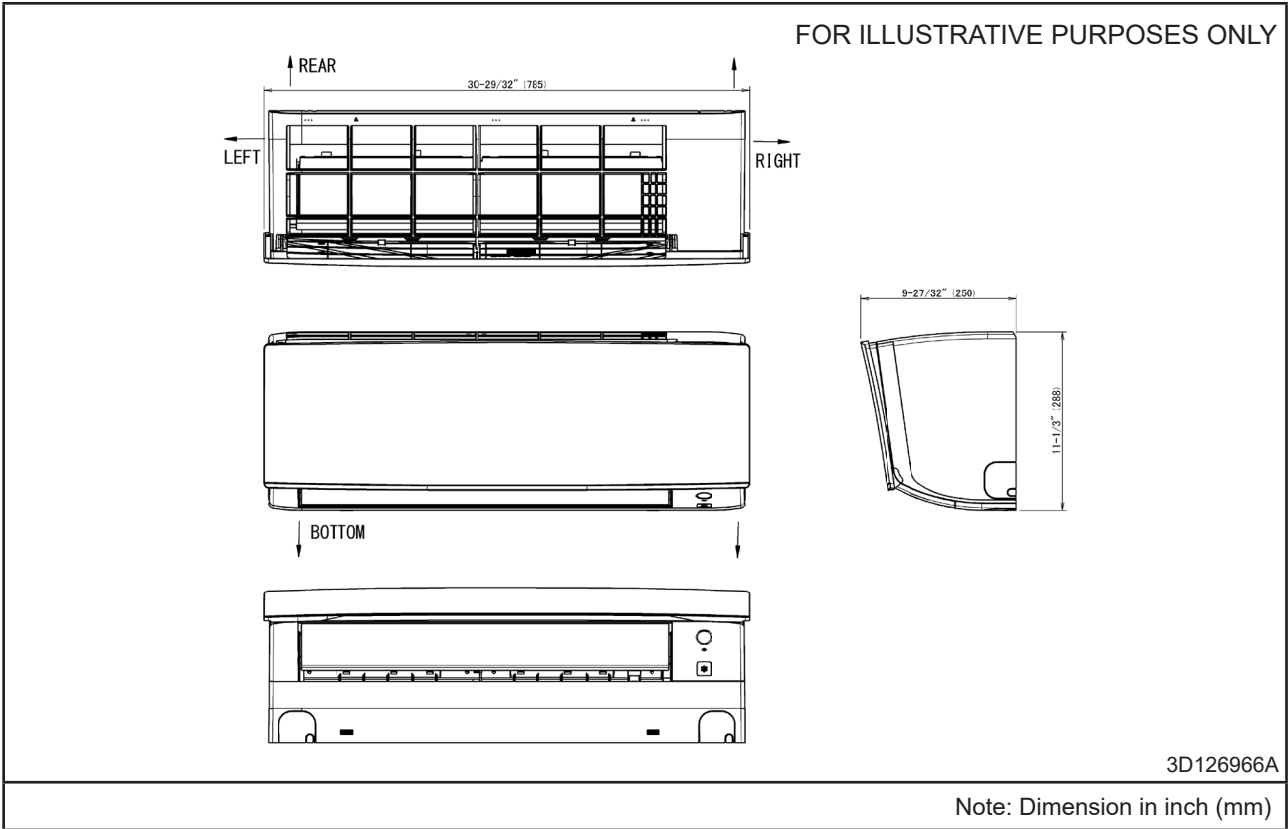
1) ALL UNITS ARE BEING TESTED ACCORDING TO AHRI 210/240 STANDARD.  
 2) ALL SPECIFICATIONS ARE SUBJECTED TO CHANGE BY THE MANUFACTURER WITHOUT PRIOR NOTICE.

COOLING		HEATING	
INDOOR: 80°FDB (26.7°CDB) / 67°FWB (19.4°CWB)		INDOOR: 70°FDB (21.1°CDB)	
OUTDOOR: 95°FDB (35°CDB)		OUTDOOR: 47°FDB (8.3°CDB) / 43°FWB (6.1°CWB)	

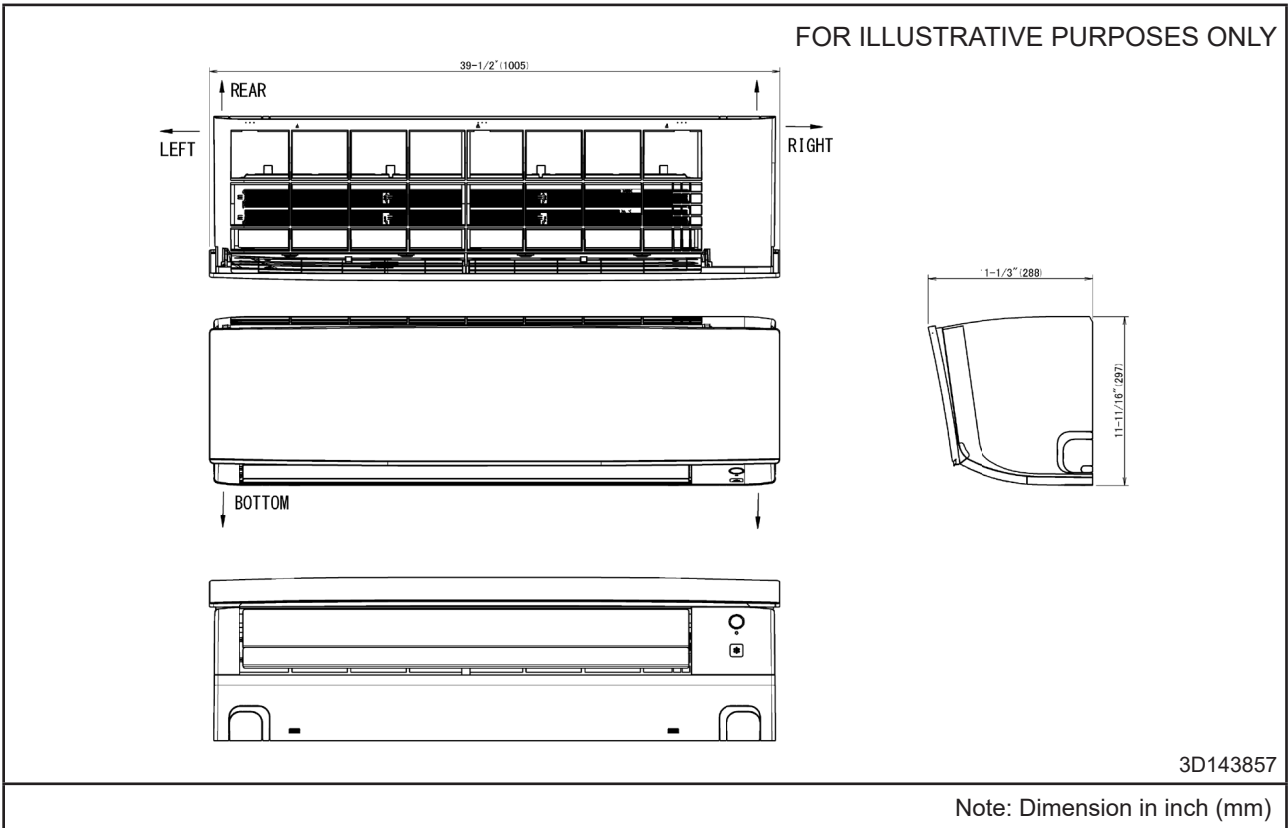
# Dimensions

## Indoor Unit

Model : FTK09/12B, FTX09/12B

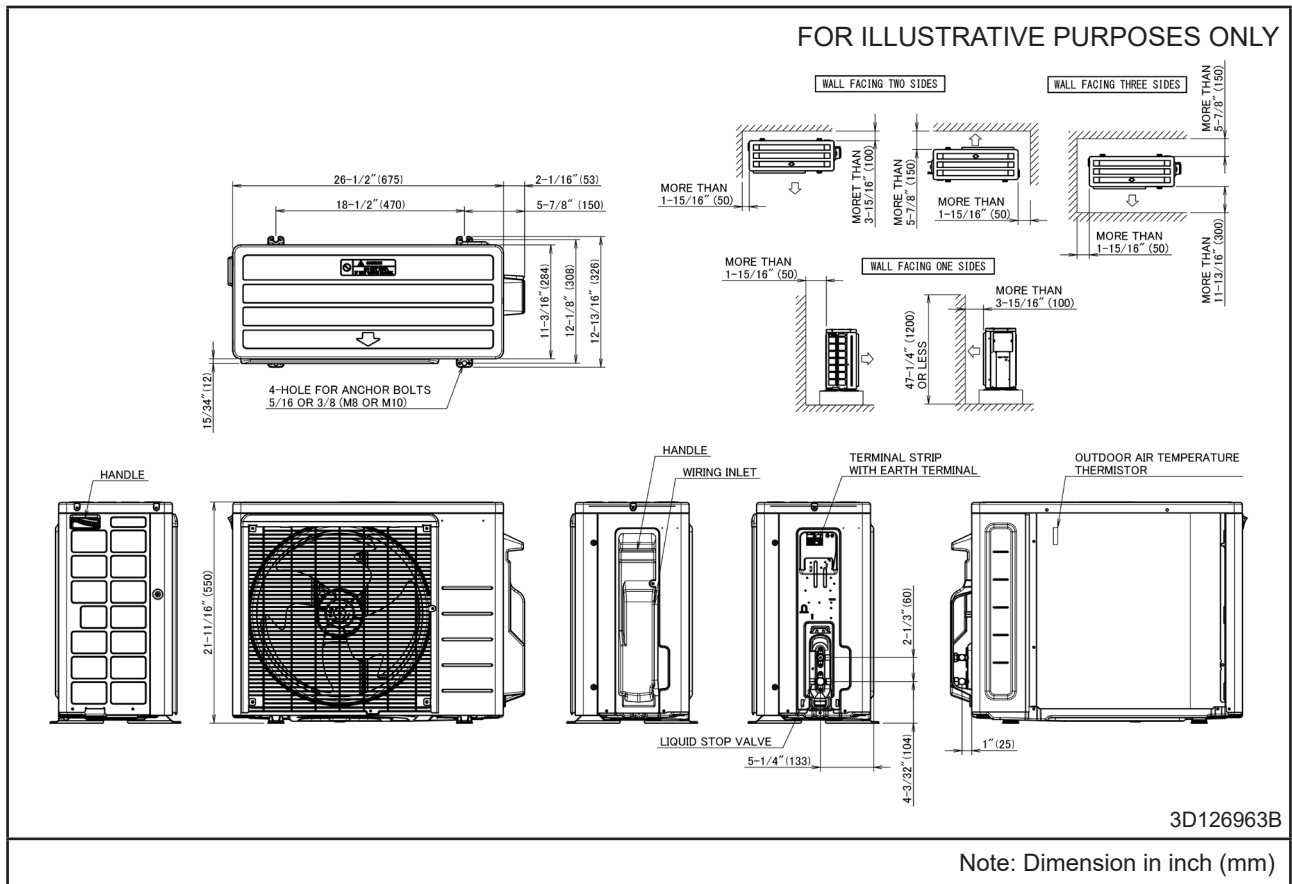


Model : FTK18/24B, FTX18/24B

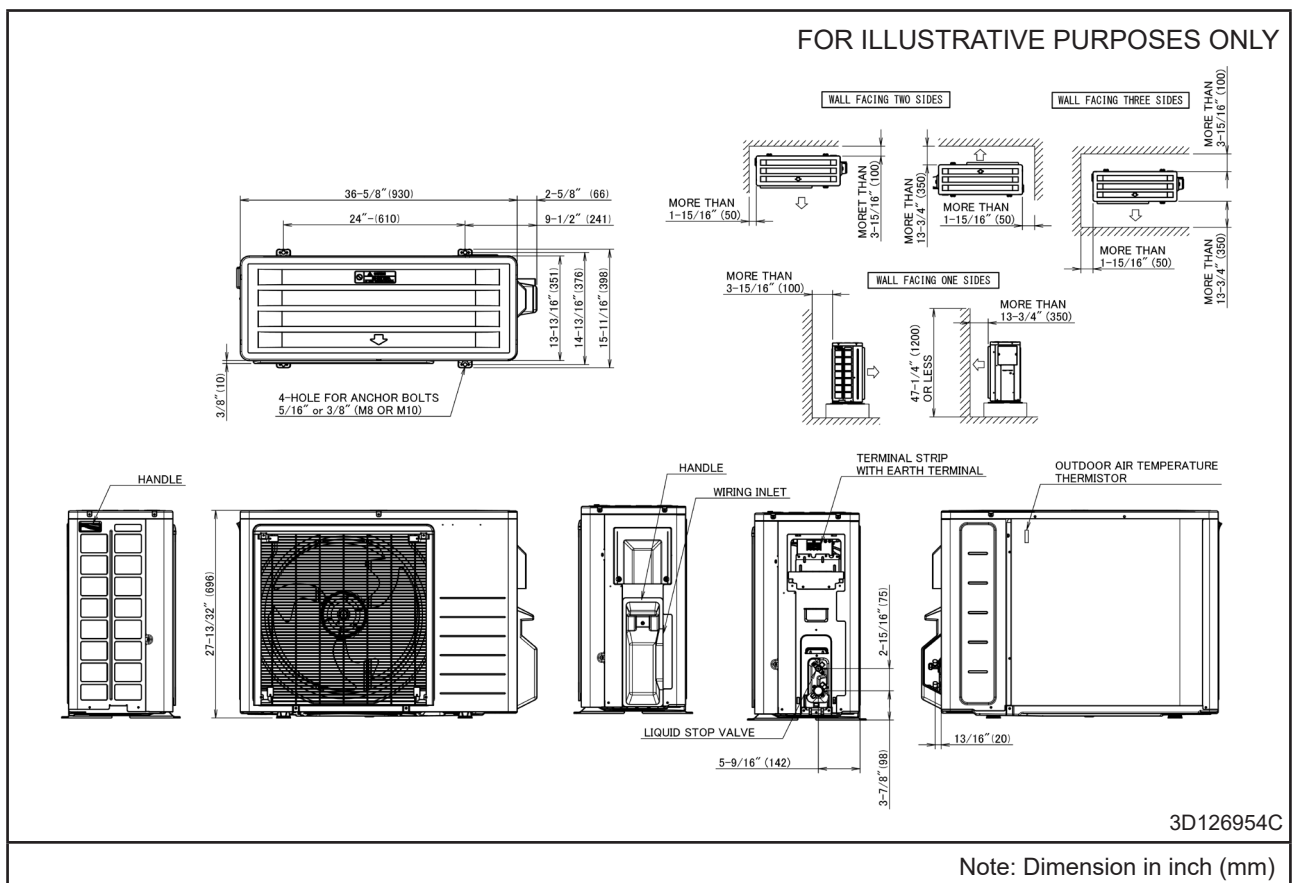


Outdoor Unit

Model : RK09/12B, RX09/12B



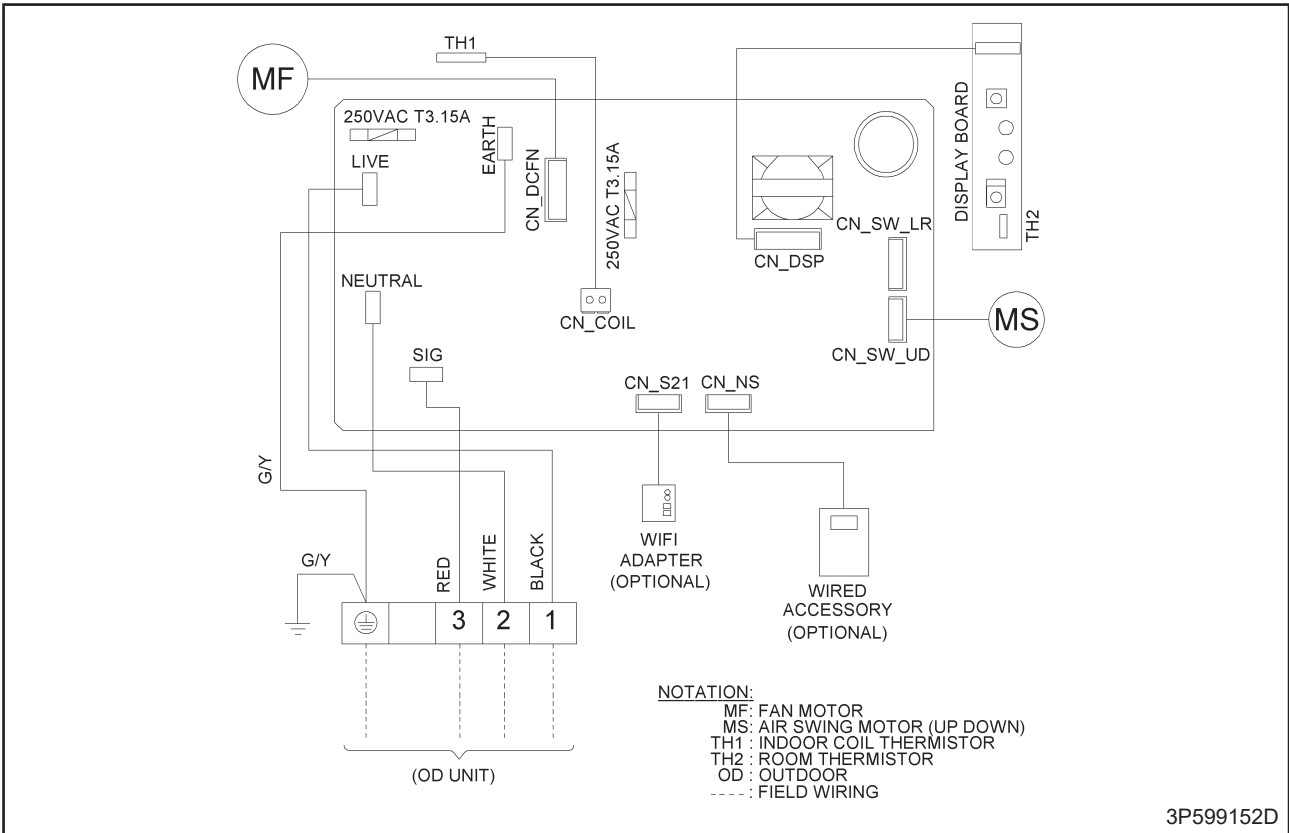
Model : RK18/24B, RX18/24B



# Wiring Diagrams

## Indoor Unit

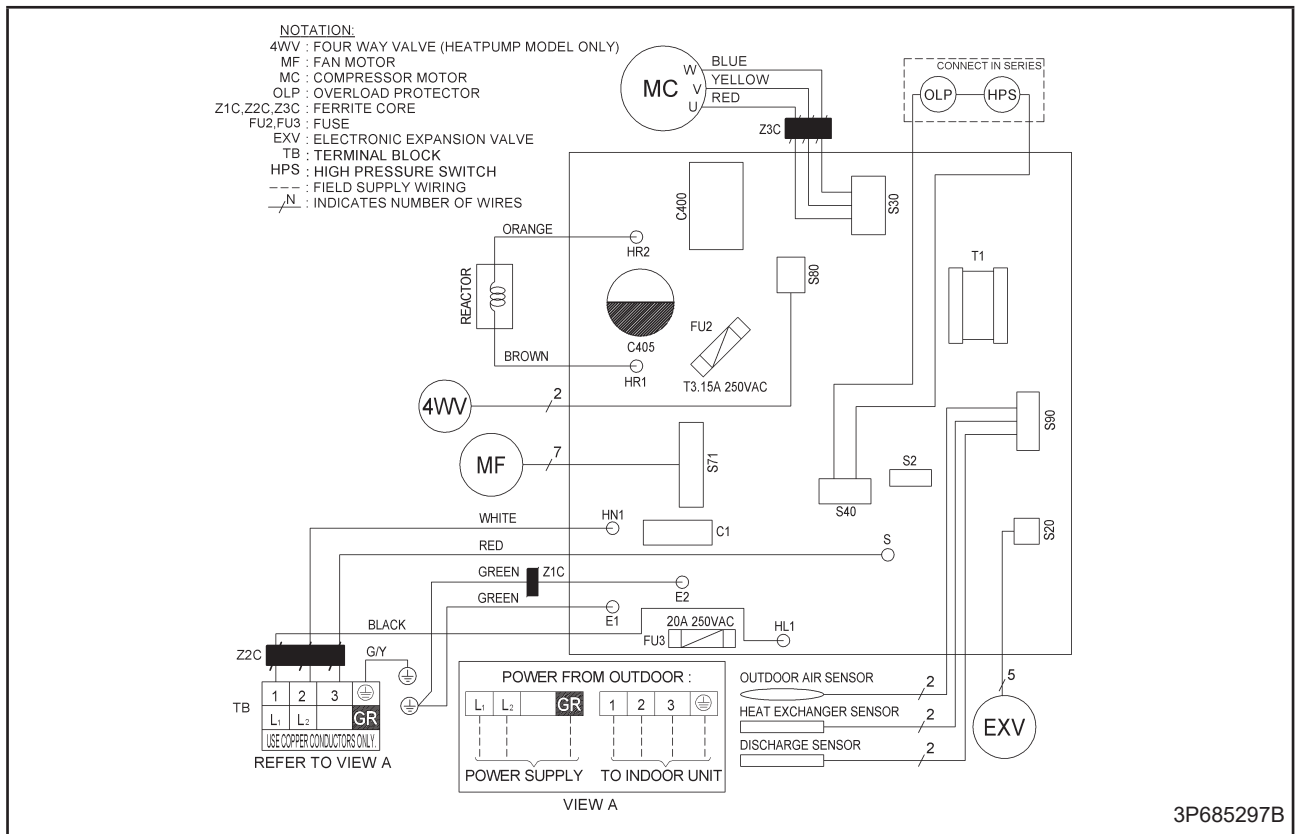
Model : FTK-B, FTX-B



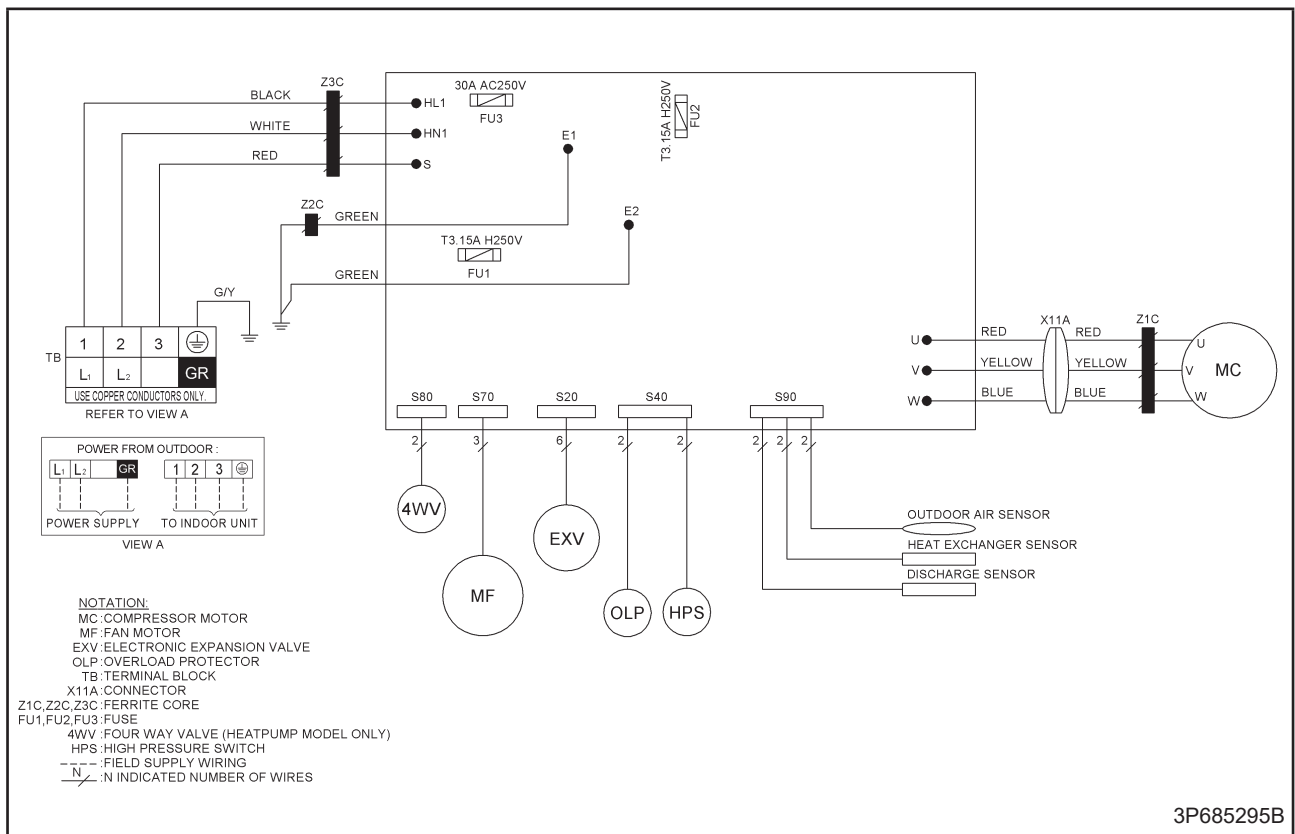


# Outdoor Unit

Model : RK09/12B, RX09/12B



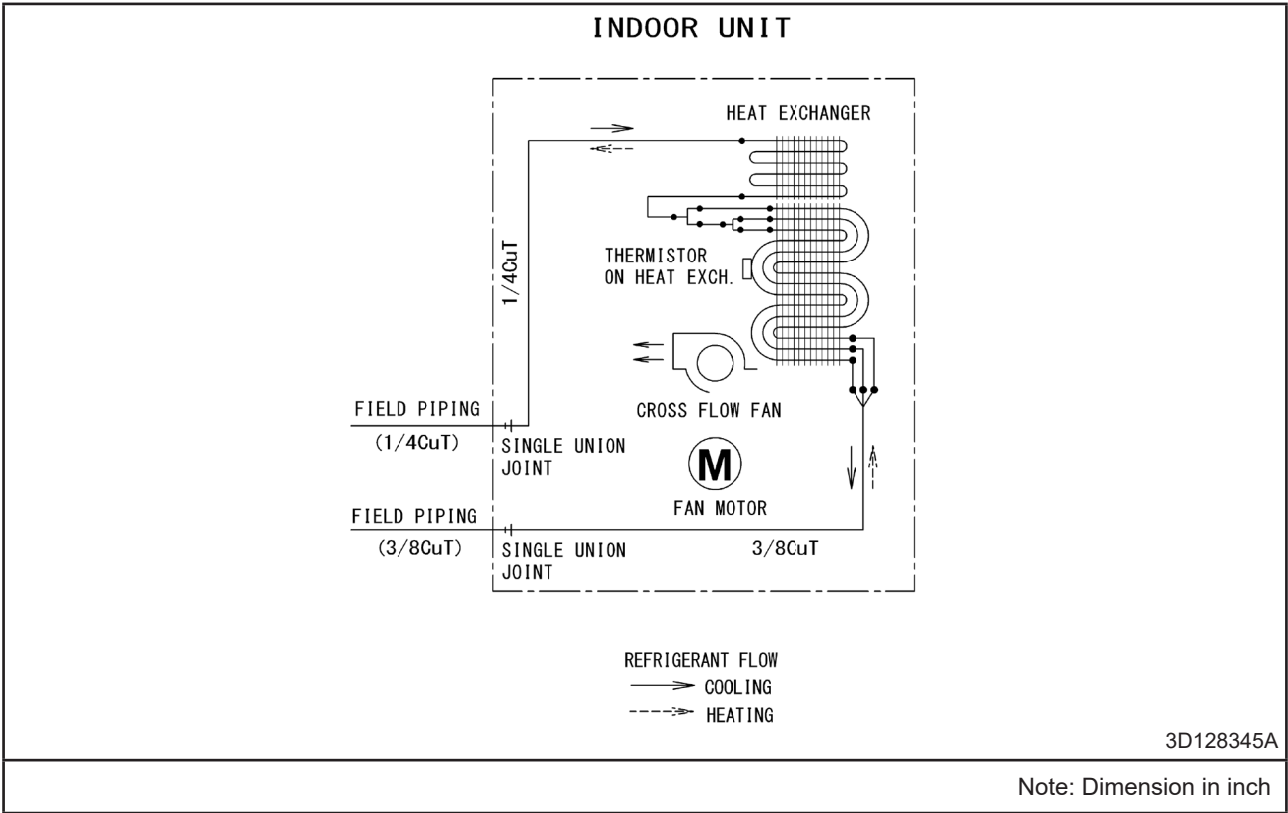
Model : RK18/24B, RX18/24B



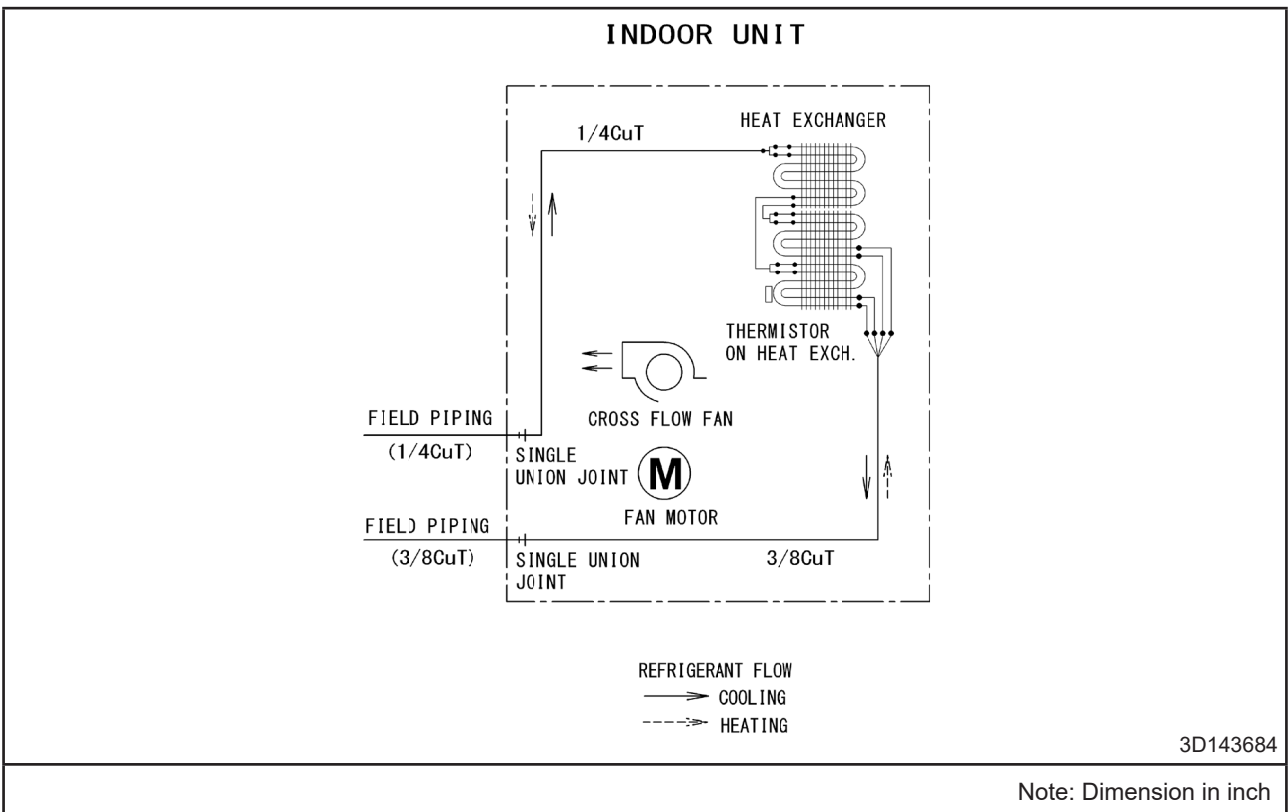
# Piping Diagrams

## Indoor Unit

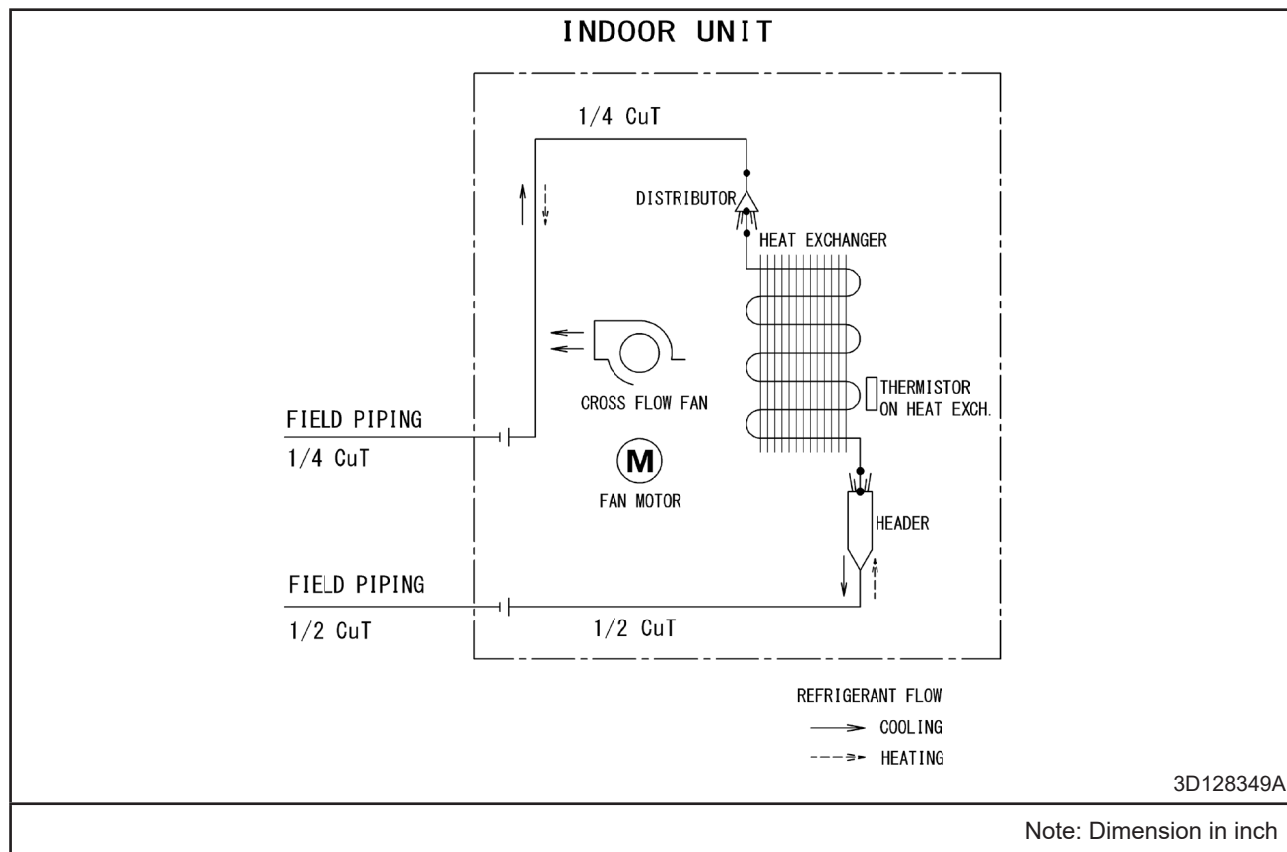
Model : FTK09B, FTX09B



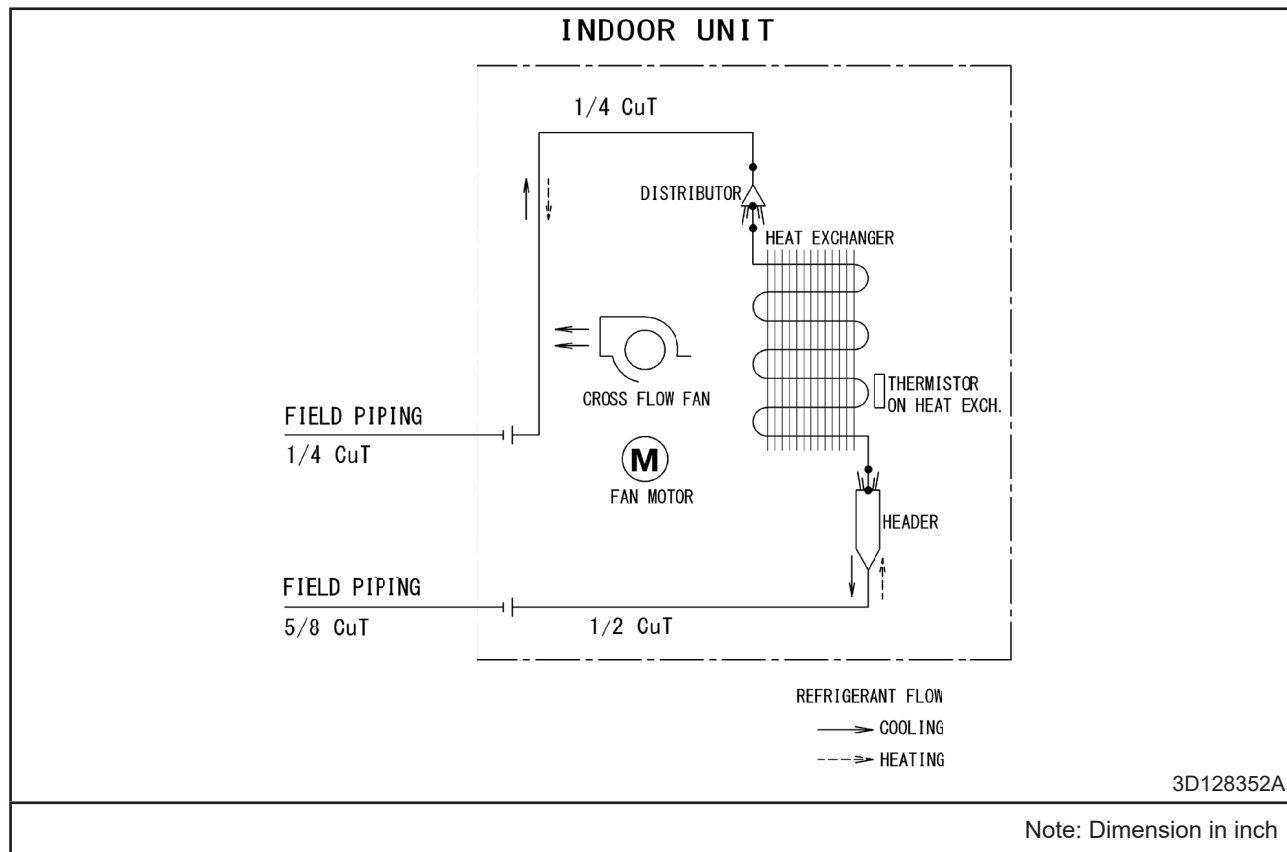
Model : FTK12B, FTX12B



Model : FTK18B, FTX18B



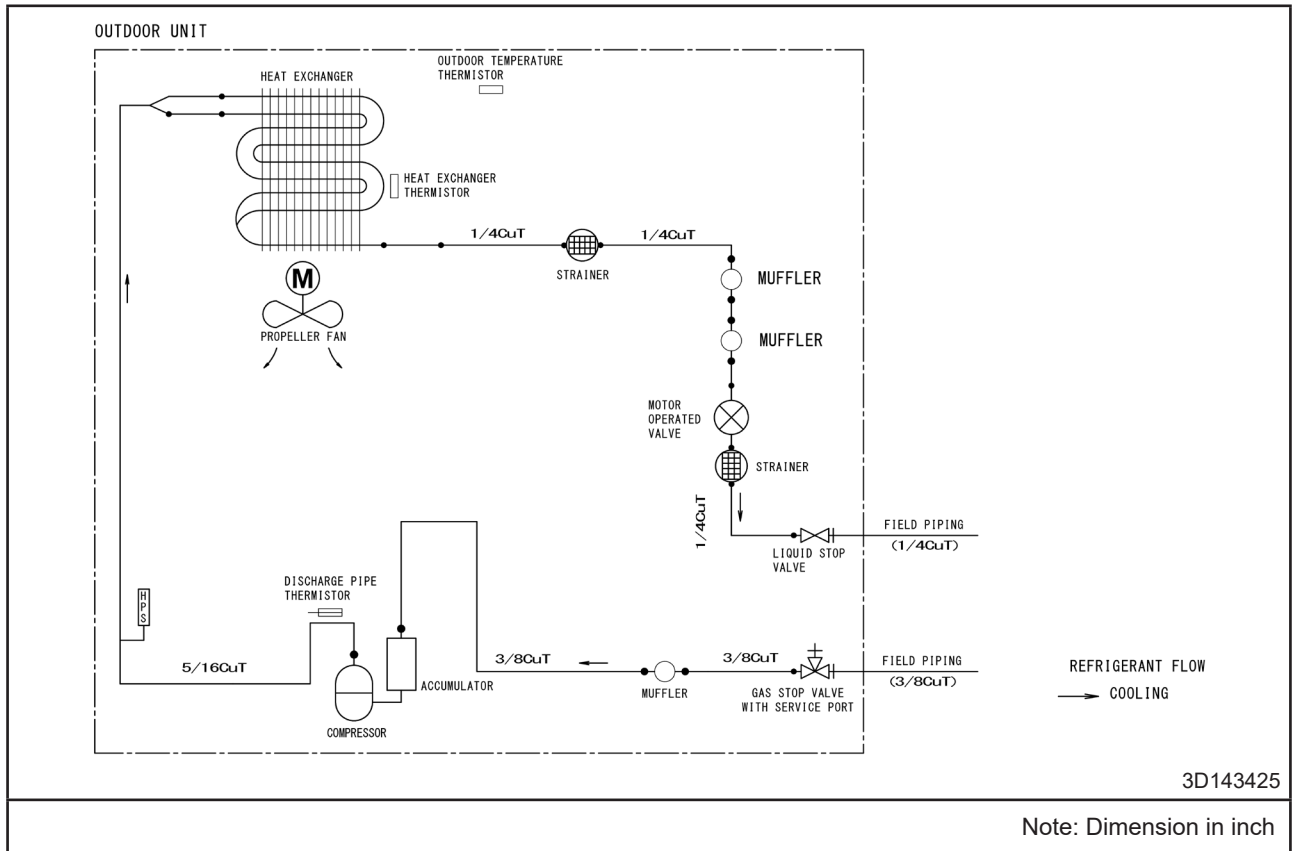
Model : FTK24B, FTX24B



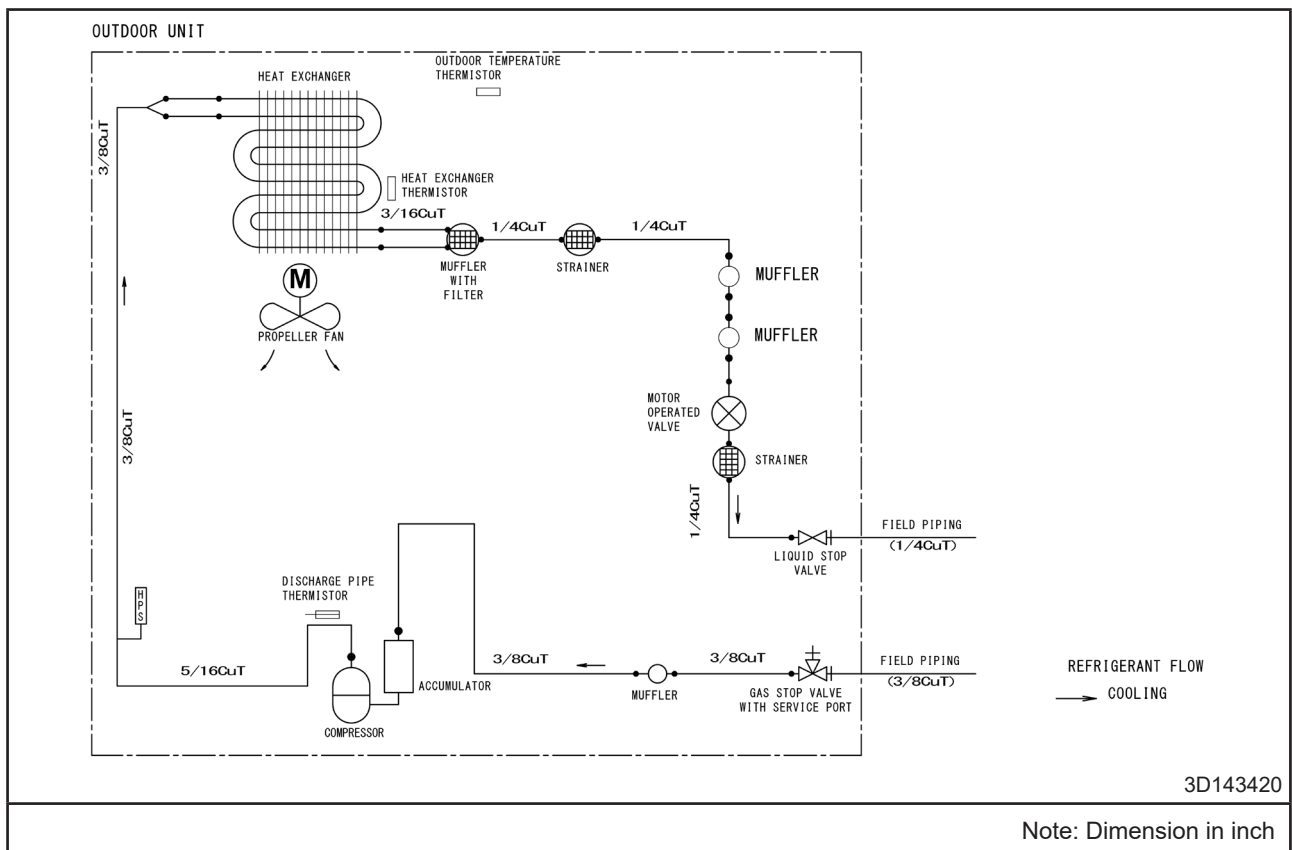
## Outdoor Unit

### Cooling Only

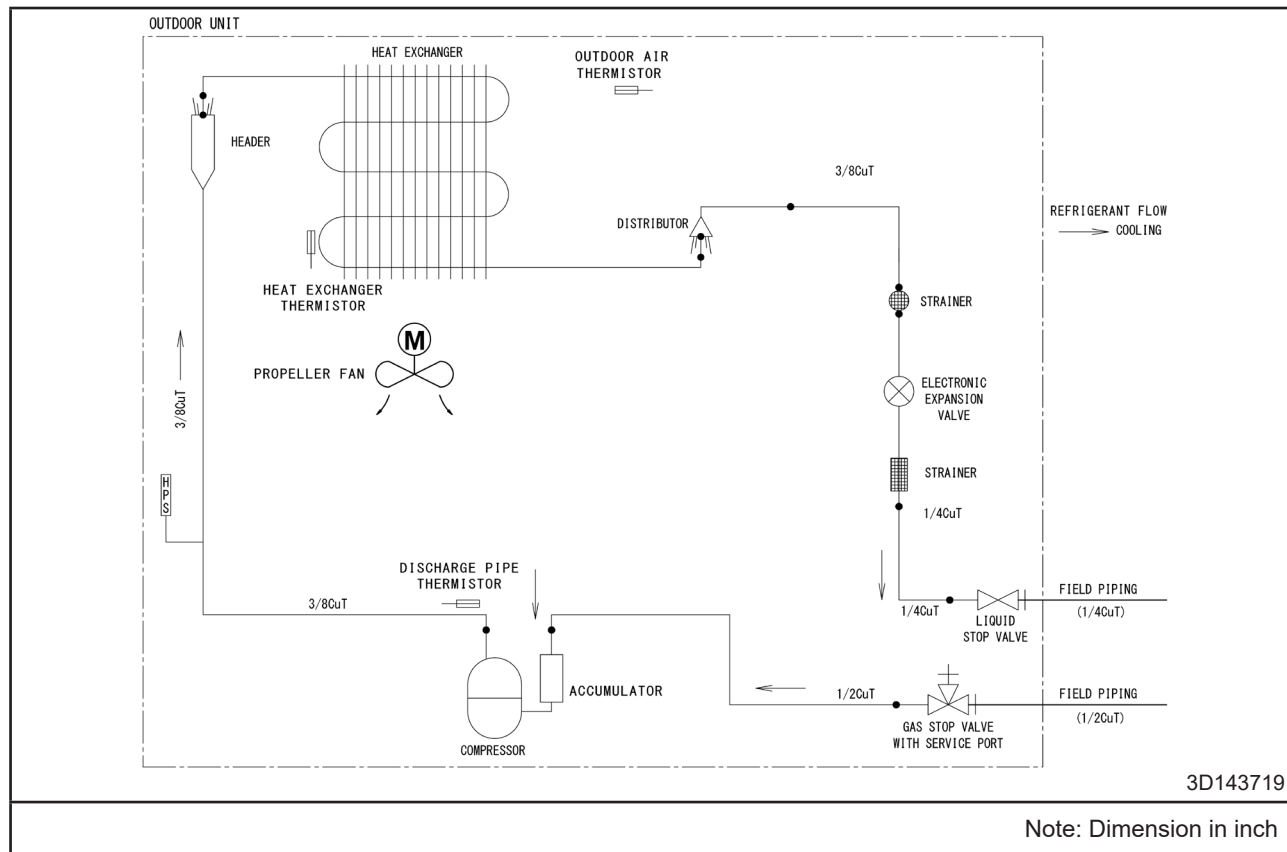
#### Model : RK09B



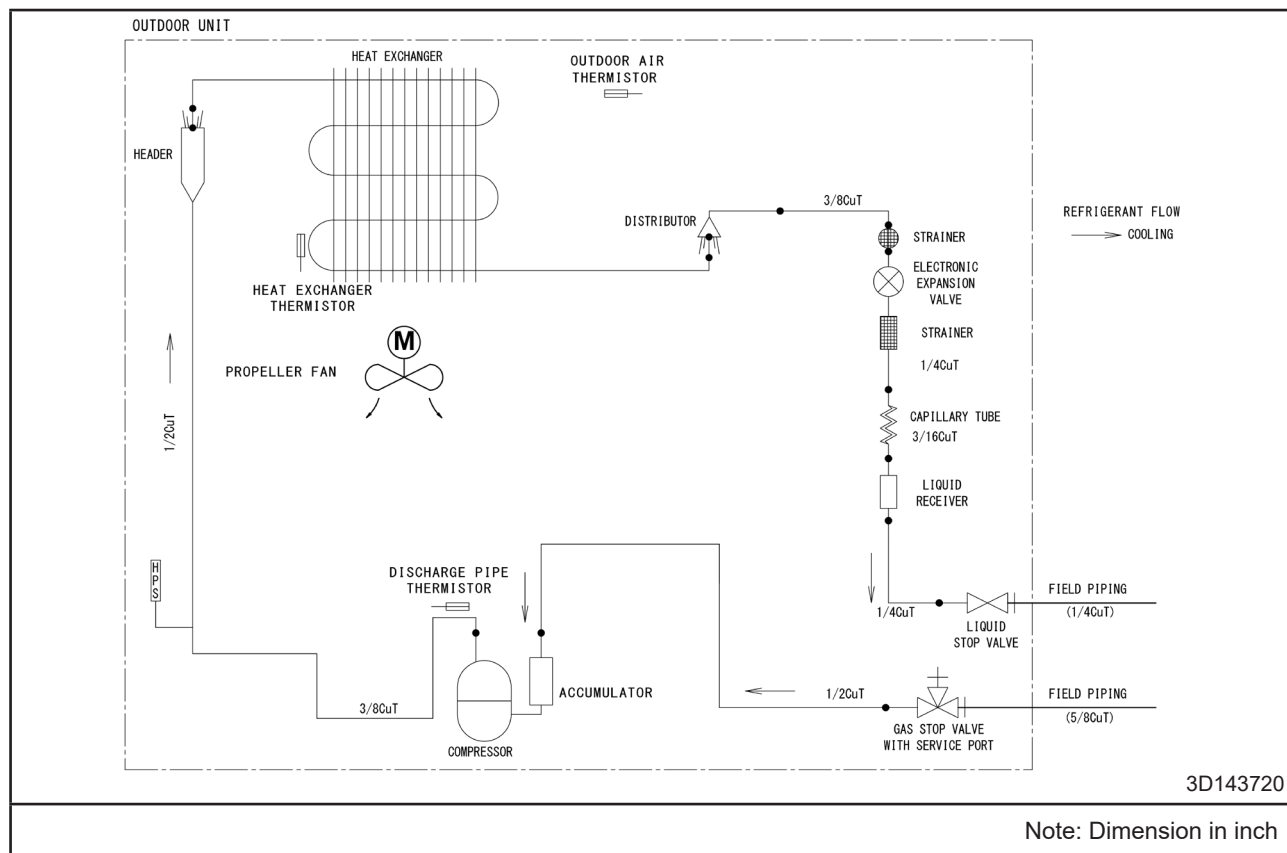
#### Model : RK12B



Model : RK18B

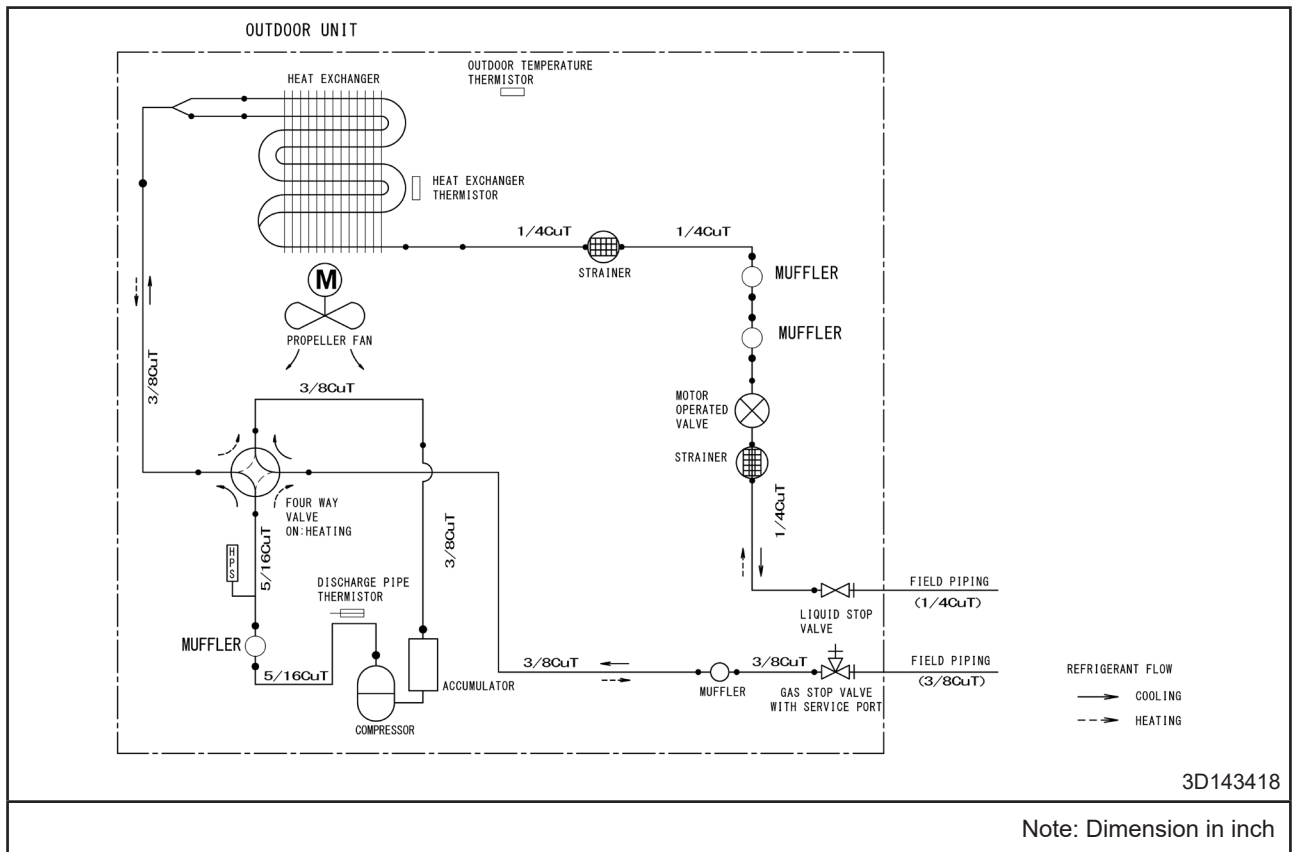


Model : RK24B

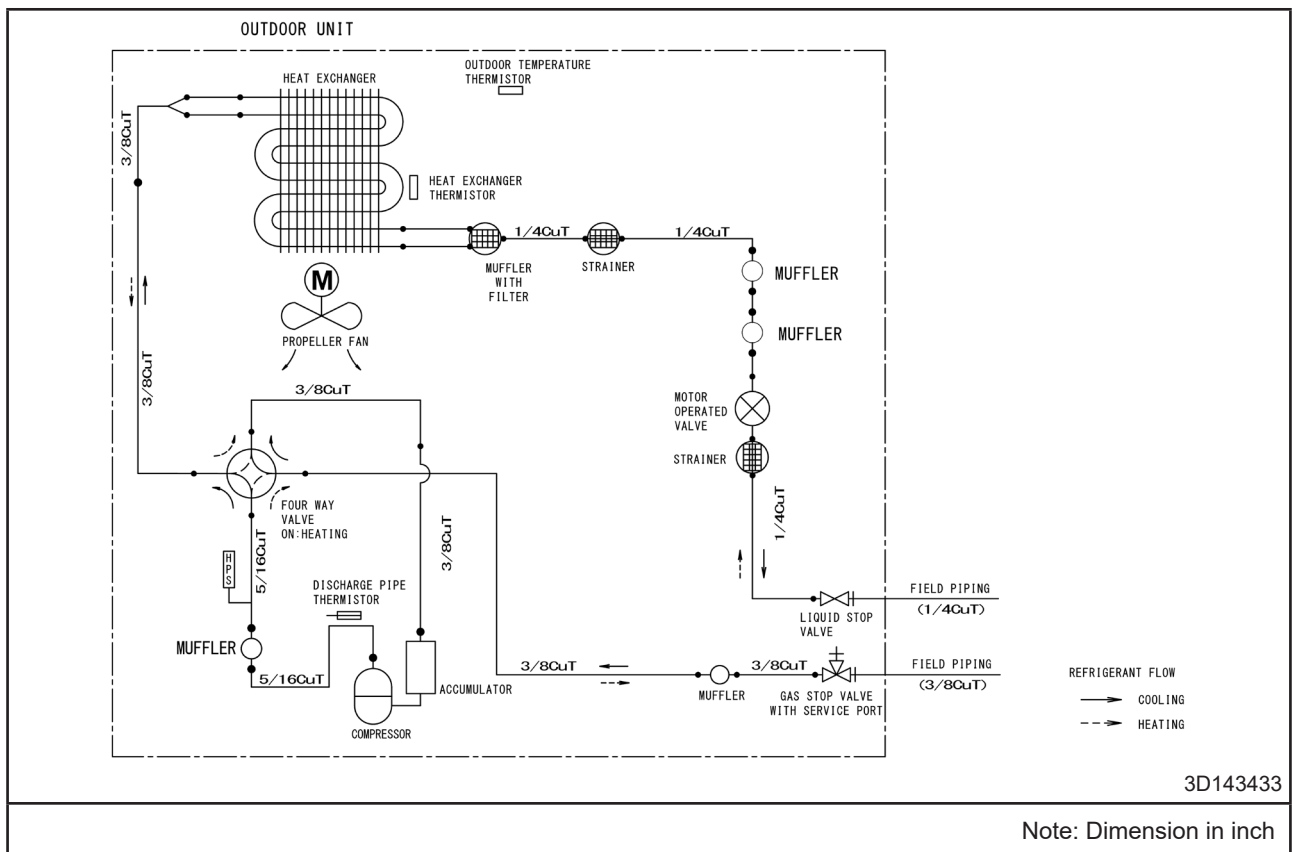


# Heatpump

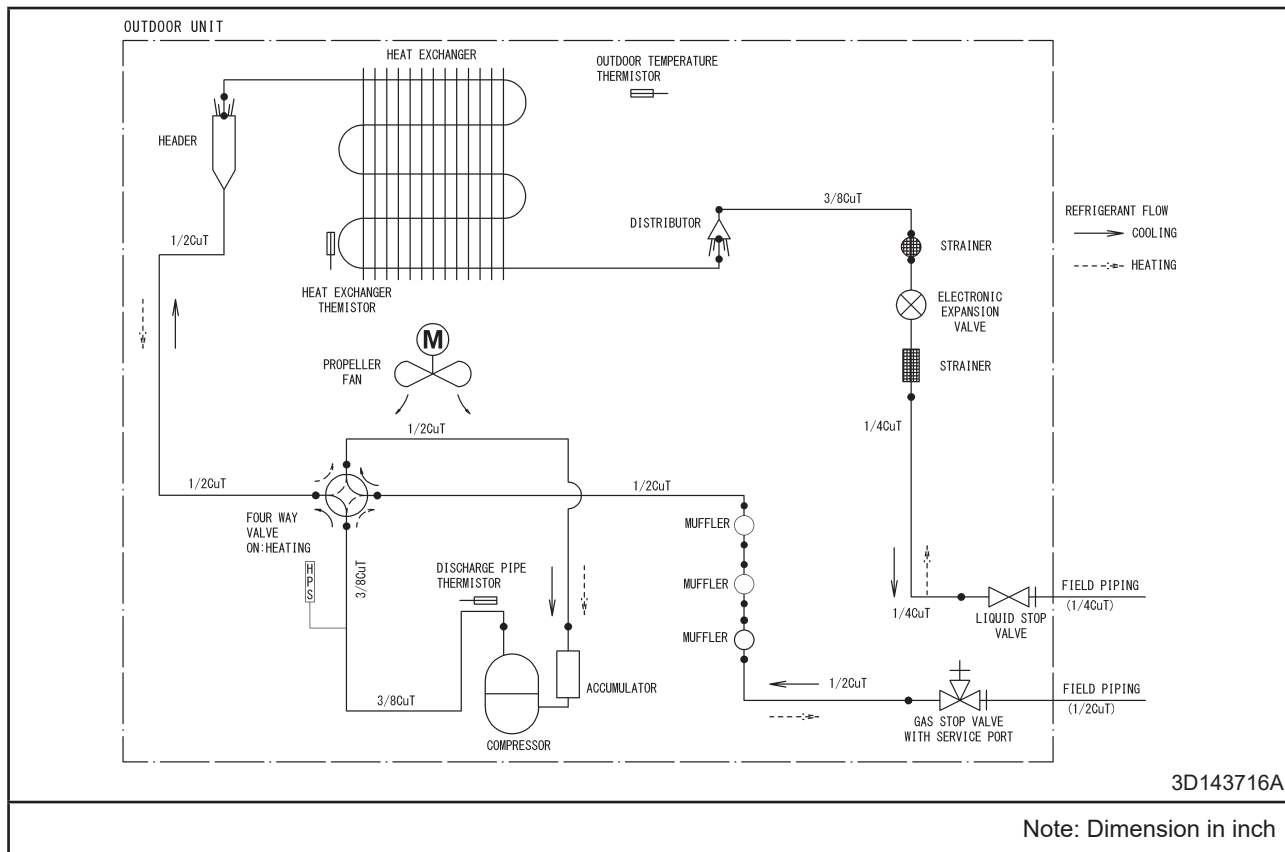
Model : RX09B



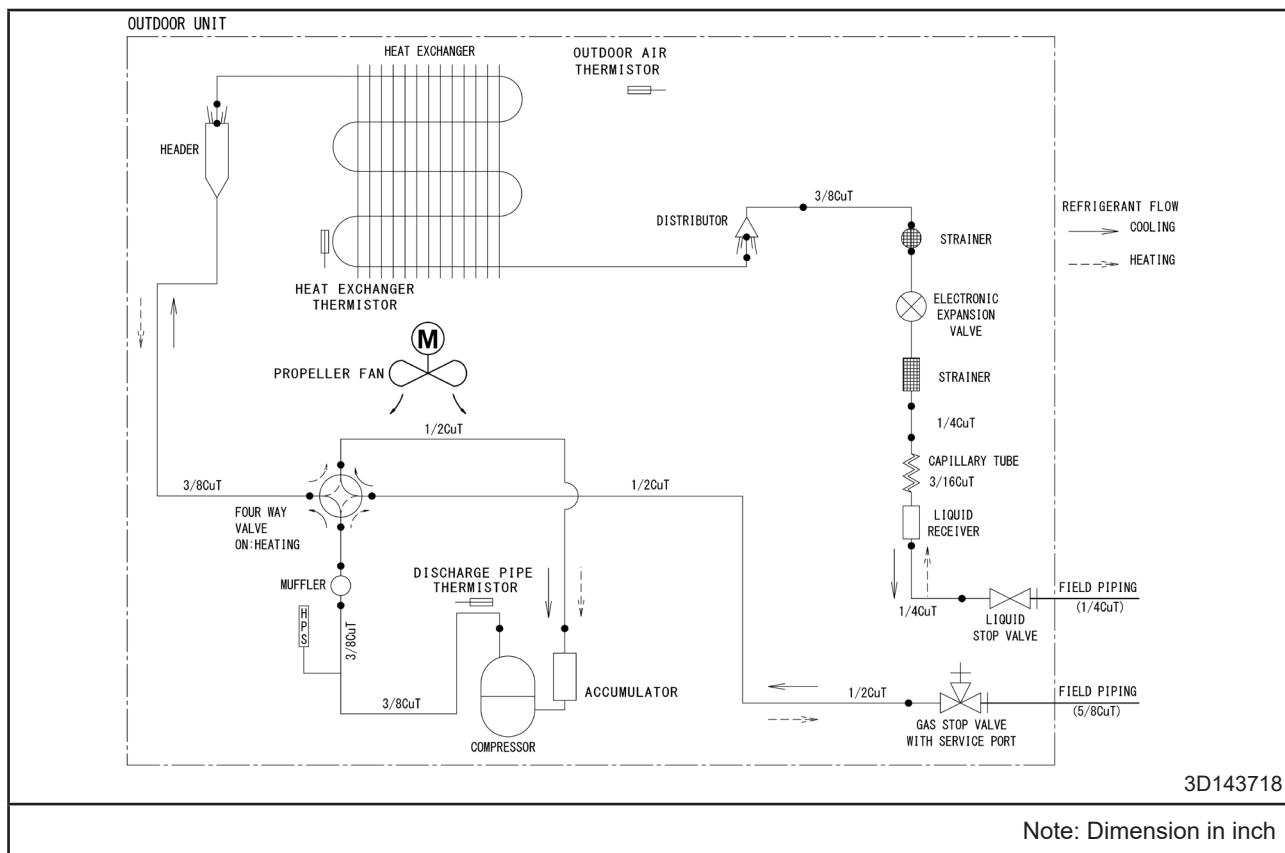
Model : RX12B



Model : RX18B



Model : RX24B



# Capacity Tables

## Cooling Only

Model : FTK09B - RK09B

AFR	12.20
BPF	0.25

Cooling: 208 - 230V 60Hz  
Temp.: Celsius/TC, SHC, PI/kW

Indoor temperature		Outdoor temperature [°C (DB)]																							
°C		10		20		25		30		32		35		40		46									
°C	°F	TC	SHC	PI	TC	SHC	PI	TC	SHC	PI	TC	SHC	PI	TC	SHC	PI	TC	SHC	PI						
14	20	3.39	2.60	0.56	2.67	2.26	0.55	2.55	2.20	0.60	2.43	2.14	0.65	2.38	2.12	0.67	2.31	2.09	0.71	2.18	2.03	0.76	1.14	1.14	0.50
16	22	3.59	2.58	0.56	2.79	2.22	0.55	2.67	2.17	0.60	2.55	2.11	0.66	2.50	2.09	0.68	2.43	2.06	0.71	2.31	2.01	0.76	1.23	1.23	0.48
18	25	3.79	2.73	0.56	2.91	2.36	0.55	2.79	2.31	0.61	2.67	2.26	0.66	2.62	2.24	0.68	2.55	2.21	0.71	2.43	2.16	0.76	1.31	1.31	0.47
19	27	3.89	2.88	0.57	2.97	2.51	0.55	2.85	2.47	0.61	2.73	2.42	0.66	2.68	2.40	0.68	2.61	2.37	0.71	2.49	2.33	0.77	1.35	1.35	0.47
22	30	4.19	2.81	0.57	3.15	2.44	0.56	3.03	2.39	0.61	2.91	2.35	0.66	2.86	2.34	0.69	2.79	2.31	0.72	2.67	2.27	0.77	1.47	1.47	0.45
24	32	4.39	2.75	0.57	3.27	2.38	0.56	3.15	2.34	0.62	3.03	2.31	0.67	2.98	2.29	0.69	2.91	2.27	0.72	2.79	2.23	0.78	1.55	1.55	0.44

Cooling: 208 - 230V 60Hz  
Temp.: Fahrenheit/TC, SHC, PI/kW

Indoor temperature		Outdoor temperature [°F (DB)]																							
°F		50		68		77		86		90		95		104		115									
°F	°C	TC	SHC	PI	TC	SHC	PI	TC	SHC	PI	TC	SHC	PI	TC	SHC	PI	TC	SHC	PI						
57.2	68.0	11.56	8.89	0.56	9.12	7.71	0.55	8.70	7.51	0.60	8.28	7.32	0.65	8.12	7.24	0.67	7.87	7.13	0.71	7.45	6.94	0.76	3.91	3.91	0.50
60.8	71.6	12.24	8.80	0.56	9.54	7.57	0.55	9.11	7.39	0.60	8.68	7.20	0.65	8.54	7.14	0.68	8.28	7.03	0.71	7.87	6.86	0.76	4.19	4.19	0.48
64.4	77.0	12.93	9.30	0.56	9.84	8.04	0.55	9.54	7.88	0.61	9.11	7.71	0.66	8.95	7.64	0.68	8.68	7.54	0.71	8.28	7.38	0.76	4.47	4.47	0.47
67.0	80.0	13.27	9.84	0.57	10.34	8.57	0.55	9.73	8.41	0.61	9.31	8.25	0.66	9.15	8.19	0.68	8.90	8.09	0.71	8.49	7.94	0.77	4.61	4.61	0.47
71.6	86.0	14.29	9.38	0.57	10.76	8.31	0.56	10.35	8.17	0.61	9.92	8.03	0.66	9.76	7.97	0.69	9.51	7.89	0.72	9.11	7.75	0.77	5.02	5.02	0.45
75.2	89.6	14.97	9.59	0.57	11.17	8.13	0.56	10.76	8.00	0.62	10.35	7.87	0.67	10.17	7.82	0.69	9.92	7.74	0.72	9.51	7.61	0.78	5.29	5.29	0.44

Cooling Capacity at -15°C / 5°F

208 - 230V 60Hz

Temp.: Celsius/TC, SHC, PI/kW

Indoor temperature		Outdoor temperature [°C (DB)]		
°C		-15		
°C	°F	TC	SHC	PI
14.0	20.0	2.94	2.52	0.37

208 - 230V 60Hz

Temp.: Fahrenheit/TC, SHC, PI/kW

Indoor temperature		Outdoor temperature [°F (DB)]		
°F		5		
°F	°C	TC	SHC	PI
57.2	68.0	10.02	8.59	0.37

- Symbols
- ARF Air Flow rate (m<sup>3</sup>/min)
  - EMB Bypass factor (°C/°F)
  - EDB Entering Dry Bulb (°C/°F)
  - TC Total Capacity (kW)/(kBTU/h)
  - SHC Sensible Heat Capacity (kW)/(kBTU/h)
  - PI Power Input (kW)

- NOTES:
- Shows nominal (rated) capacities and power input
  - TC, SHC and PI must be calculated by interpolation using the figures in the above table
  - Corresponding refrigerant piping length : 35ft
  - Level difference : 0ft



Model : FTK12B - RK12B

AFR	12.35
BPF	0.20

Cooling: 208 - 230V 60Hz  
Temp : Celsius/TC,SHC,PI:kW

Indoor Temperature		Outdoor temperature [°C DB]																							
		10			20			25			30			32			35			40			46		
EWB	EDB	TC	SHC	PI	TC	SHC	PI	TC	SHC	PI	TC	SHC	PI	TC	SHC	PI	TC	SHC	PI	TC	SHC	PI	TC	SHC	PI
14.0	20.0	4.15	3.06	0.87	3.27	2.62	0.67	3.12	2.55	0.73	3.12	2.48	0.80	2.92	2.45	0.82	2.83	2.41	0.86	2.67	2.34	0.93	1.58	1.17	0.70
16.0	22.0	4.34	3.01	0.88	3.42	2.58	0.67	3.27	2.51	0.74	3.12	2.44	0.80	3.06	2.42	0.83	2.97	2.38	0.86	2.83	2.31	0.93	1.68	1.09	0.70
18.0	25.0	4.52	3.14	0.88	3.57	2.72	0.68	3.42	2.66	0.74	3.27	2.60	0.80	3.21	2.57	0.83	3.12	2.53	0.87	2.97	2.48	0.93	1.79	1.13	0.70
19.0	27.0	4.61	3.29	0.88	3.64	2.89	0.68	3.49	2.83	0.74	3.34	2.77	0.80	3.28	2.74	0.83	3.20	2.71	0.87	3.05	2.65	0.94	1.84	1.20	0.70
22.0	30.0	4.89	3.17	0.89	3.86	2.79	0.68	3.72	2.74	0.75	3.56	2.69	0.81	3.51	2.67	0.84	3.41	2.63	0.88	3.27	2.59	0.94	1.99	1.09	0.69
24.0	32.0	5.39	3.20	0.95	4.01	2.73	0.69	3.86	2.68	0.75	3.72	2.63	0.82	3.65	2.61	0.85	3.56	2.58	0.88	3.41	2.54	0.95	2.09	1.02	0.69

Cooling: 208 - 230V 60Hz  
Temp : Fahrenheit/TC,SHC,kBtu/h /PI:kW

Indoor Temperature		Outdoor temperature [°F DB]																							
		50			68			77			86			90			95			104			115		
EWB	EDB	TC	SHC	PI	TC	SHC	PI	TC	SHC	PI	TC	SHC	PI	TC	SHC	PI	TC	SHC	PI	TC	SHC	PI	TC	SHC	PI
57.2	68.0	14.16	10.45	0.87	11.17	8.96	0.67	10.65	8.71	0.73	10.15	8.46	0.80	9.95	8.37	0.82	9.64	8.23	0.86	9.13	7.99	0.93	5.39	4.01	0.70
60.8	71.6	14.80	10.25	0.88	11.68	8.79	0.67	11.16	8.56	0.74	10.64	8.33	0.80	10.46	8.25	0.83	10.15	8.11	0.86	9.64	7.90	0.93	5.75	3.73	0.70
64.4	77.0	15.44	10.70	0.88	12.18	9.28	0.68	11.68	9.07	0.74	11.16	8.86	0.80	10.97	8.78	0.83	10.64	8.65	0.87	10.14	8.45	0.93	6.09	3.86	0.70
67.0	80.0	15.74	11.23	0.88	12.42	9.84	0.68	11.92	9.64	0.74	11.40	9.44	0.80	11.20	9.36	0.83	10.90	9.24	0.87	10.40	9.05	0.94	6.27	4.09	0.70
71.6	86.0	16.70	10.83	0.89	13.18	9.52	0.68	12.68	9.35	0.75	12.16	9.17	0.81	11.96	9.10	0.84	11.65	8.99	0.88	11.16	8.82	0.94	6.78	3.71	0.69
75.2	89.6	18.38	10.91	0.95	13.68	9.30	0.69	13.18	9.14	0.75	12.68	8.98	0.82	12.46	8.91	0.85	12.16	8.81	0.88	11.65	8.65	0.95	7.12	3.49	0.69

Cooling Capacity at -15°C / 5°F

208 - 230V 60Hz

Indoor Temperature		Outdoor temperature [°C DB]	
EWB	EDB	TC	SHC
14.0	20.0	3.56	2.73

Indoor Temperature		Outdoor temperature [°F DB]	
EWB	EDB	TC	SHC
57.2	68.0	12.13	9.33

- Symbols
- AFR Air Flow rate (m<sup>3</sup>/min)
  - BPF Bypass factor (°C) / (°F)
  - EWB Entering Wet Bulb (°C) / (°F)
  - EDB Entering Dry Bulb (kW) / (kBtu/h)
  - TC Total Capacity (kW) / (kBtu/h)
  - SHC Sensible Heat Capacity (kW)
  - PI Power Input

- NOTES:
- 1)   Shows nominal (rated) capacities and power input
  - 2) TC, SHC and PI must be calculated by interpolation using the figures in the above table
  - 3) Capacities are based on the following condition  
Corresponding refrigerant piping length  
Level difference

Model : FTK18B - RK18B

AFR	20.27
BPF	0.31

Cooling: 208 - 230V 60Hz  
Temp.: Celsius/TC,SHC,PI:KW

Indoor Temperature		Outdoor temperature [°C DB]																							
		10			20			25			30			32			35			40			46		
EWB	°C	TC	SHC	PI	TC	SHC	PI	TC	SHC	PI	TC	SHC	PI	TC	SHC	PI	TC	SHC	PI	TC	SHC	PI	TC	SHC	PI
14	20	6.85	2.92	1.13	5.41	4.10	1.10	5.16	3.98	1.21	4.91	3.86	1.31	4.81	3.81	1.36	4.67	3.74	1.43	4.42	3.62	1.53	2.32	2.03	1.00
16	22	7.26	2.88	1.13	5.65	4.03	1.11	5.40	3.91	1.22	5.15	3.79	1.33	5.06	3.75	1.37	4.91	3.68	1.43	4.67	3.57	1.54	2.48	2.17	0.98
18	25	7.66	3.10	1.14	5.90	4.22	1.12	5.65	4.11	1.23	5.40	4.01	1.33	5.31	3.97	1.37	5.15	3.90	1.44	4.91	3.80	1.54	2.65	2.28	0.96
19	27	7.87	3.22	1.14	6.01	4.45	1.12	5.77	4.34	1.23	5.52	4.24	1.33	5.42	4.20	1.37	5.28	4.14	1.44	5.03	4.04	1.55	2.73	2.34	0.94
22	30	8.47	3.26	1.15	6.38	4.29	1.13	6.13	4.20	1.24	5.88	4.11	1.34	5.79	4.08	1.38	5.64	4.02	1.45	5.40	3.94	1.56	2.98	2.52	0.91
24	32	8.88	3.20	1.16	6.62	4.18	1.14	6.38	4.10	1.24	6.13	4.02	1.35	6.03	3.99	1.40	5.88	3.94	1.46	5.64	3.86	1.57	3.14	2.65	0.89

Cooling: 208 - 230V 60Hz  
Temp.: Fahrenheit/TC,SHC:kBtu/h / PI:KW

Indoor Temperature		Outdoor temperature [°F DB]																							
		50			68			77			86			90			95			104			115		
EWB	°F	TC	SHC	PI	TC	SHC	PI	TC	SHC	PI	TC	SHC	PI	TC	SHC	PI	TC	SHC	PI	TC	SHC	PI	TC	SHC	PI
57.2	68.0	23.38	9.95	1.13	18.45	14.00	1.10	17.59	13.57	1.21	16.75	13.16	1.31	16.42	12.99	1.36	15.93	12.75	1.43	15.07	12.34	1.53	7.90	6.94	1.00
60.8	71.6	24.77	9.82	1.13	19.29	13.74	1.11	18.44	13.34	1.22	17.57	12.94	1.33	17.27	12.80	1.37	16.75	12.57	1.43	15.93	12.20	1.54	8.48	7.39	0.98
64.4	77.0	26.15	10.59	1.14	20.12	14.40	1.12	19.29	14.04	1.23	18.44	13.67	1.33	18.11	13.53	1.37	17.57	13.30	1.44	16.74	12.95	1.54	9.04	7.78	0.96
67.0	80.0	26.84	10.97	1.14	20.51	15.17	1.12	19.68	14.82	1.23	18.83	14.47	1.33	18.50	14.33	1.37	18.00	14.13	1.44	17.17	13.80	1.55	9.32	7.99	0.94
71.6	86.0	28.92	11.11	1.15	21.76	14.65	1.13	20.93	14.34	1.24	20.08	14.03	1.34	19.75	13.91	1.38	19.24	13.72	1.45	18.44	13.43	1.56	10.16	8.60	0.91
75.2	89.6	30.29	10.90	1.16	22.59	14.28	1.14	21.76	14.00	1.24	20.93	13.72	1.35	20.58	13.60	1.40	20.08	13.43	1.46	19.24	13.16	1.57	10.70	9.03	0.89

Cooling Capacity at -15°C / 5°F  
208 - 230V 60Hz

Temp.: Celsius/TC,SHC:PI:KW

Indoor Temperature		Outdoor temperature [°C DB]	
		-15	
EWB	°C	TC	SHC
14.0	20.0	6.01	4.64
		PI	0.71

208 - 230V 60Hz

Temp.: Fahrenheit/TC,SHC:kBtu/h / PI:KW

Indoor Temperature		Outdoor temperature [°F DB]	
		5	
EWB	°F	TC	SHC
57.2	68.0	20.50	15.83
		PI	0.71

- Symbols
- AFR Air Flow rate (m<sup>3</sup>/min)
  - BPF Bypass factor (%)
  - EWB Entering Wet Bulb (°C) / (°F)
  - EDB Entering Dry Bulb (°C) / (°F)
  - TC Total Capacity (kW) / (kBtu/h)
  - SHC Sensible Heat Capacity (kW) / (kBtu/h)
  - PI Power Input (kW)

- NOTES:
- Shows nominal (rated) capacities and power input
  - TC, SHC and PI must be calculated by interpolation using the figures in the above table
  - Capacities are based on the following condition  
Corresponding refrigerant piping length :25ft  
Level difference :0ft

Model : FTK24B- RK24B

AFR	20.27
BPF	0.31

Cooling: 208 - 230V 60Hz  
Temp.: Celsius/TC,SHC,PI;kW

Indoor Temperature		Outdoor temperature [°C DB]																							
		10			20			25			30			32			35			40			46		
EWB	EDB	TC	SHC	PI	TC	SHC	PI	TC	SHC	PI	TC	SHC	PI	TC	SHC	PI	TC	SHC	PI	TC	SHC	PI	TC	SHC	PI
14	20	8.07	2.92	1.36	6.37	4.60	1.33	6.07	4.45	1.46	5.78	4.30	1.59	5.67	4.24	1.64	5.50	4.15	1.72	5.20	4.00	1.85	2.73	2.03	1.21
16	22	8.55	2.88	1.37	6.66	4.52	1.34	6.36	4.37	1.47	6.06	4.22	1.60	5.96	4.17	1.65	5.78	4.09	1.72	5.50	3.95	1.86	2.83	2.17	1.18
18	25	9.03	3.10	1.37	6.94	4.69	1.35	6.66	4.56	1.48	6.36	4.43	1.60	6.25	4.38	1.66	6.06	4.29	1.74	5.78	4.17	1.86	3.12	2.28	1.15
19	27	9.27	3.22	1.38	7.08	4.91	1.35	6.92	4.78	1.48	6.50	4.66	1.60	6.39	4.61	1.66	6.21	4.53	1.74	5.93	4.41	1.88	3.22	2.34	1.14
22	30	9.98	3.26	1.39	7.51	4.73	1.36	7.23	4.62	1.49	6.93	4.50	1.62	6.82	4.46	1.67	6.64	4.39	1.75	6.36	4.29	1.88	3.51	2.52	1.10
24	32	10.45	3.20	1.40	7.80	4.60	1.37	7.51	4.50	1.50	7.23	4.40	1.63	7.10	4.35	1.69	6.93	4.29	1.76	6.64	4.19	1.89	3.69	2.65	1.07

Cooling: 208 - 230V 60Hz  
Temp.: Fahrenheit/TC,SHC,kBtu/h / PI,kW

Indoor Temperature		Outdoor temperature [°F DB]																							
		50			68			77			86			90			95			104			115		
EWB	EDB	TC	SHC	PI	TC	SHC	PI	TC	SHC	PI	TC	SHC	PI	TC	SHC	PI	TC	SHC	PI	TC	SHC	PI	TC	SHC	PI
57.2	68.0	27.53	9.95	1.36	21.73	15.71	1.33	20.72	15.17	1.46	19.73	14.66	1.59	19.34	14.46	1.64	18.76	14.16	1.72	17.75	13.65	1.85	9.31	6.94	1.21
60.8	71.6	29.17	9.82	1.37	22.72	15.41	1.34	21.71	14.91	1.47	20.69	14.41	1.60	20.34	14.24	1.65	19.73	13.95	1.72	18.76	13.49	1.86	9.98	7.39	1.18
64.4	77.0	30.80	10.59	1.37	23.69	16.01	1.35	22.72	15.56	1.48	21.71	15.11	1.60	21.33	14.93	1.66	20.69	14.65	1.74	19.72	14.22	1.86	10.64	7.78	1.15
67.0	80.0	31.61	10.97	1.38	24.16	16.76	1.35	23.18	16.32	1.48	22.18	15.88	1.60	21.79	15.72	1.66	21.20	15.46	1.74	20.23	15.05	1.88	10.97	7.99	1.14
71.6	86.0	34.06	11.11	1.39	25.63	16.14	1.36	24.65	15.75	1.49	23.65	15.36	1.62	23.26	15.21	1.67	22.66	14.98	1.75	21.71	14.63	1.88	11.97	8.60	1.10
75.2	89.6	35.67	10.90	1.40	26.60	15.70	1.37	25.63	15.34	1.50	24.65	15.00	1.63	24.23	14.85	1.69	23.65	14.64	1.76	22.66	14.30	1.89	12.61	9.03	1.07

Cooling Capacity at -15°C / 5°F  
208 - 230V 60Hz  
Temp.: Celsius/TC,SHC,PI;kW

Indoor Temperature		Outdoor temperature [°C DB]	
EWB	EDB	TC	SHC
14.0	20.0	6.56	5.07
		°C	PI

208 - 230V 60Hz  
Temp.: Fahrenheit/ TC,SHC,kBtu/h / PI,kW

Indoor Temperature		Outdoor temperature [°F DB]	
EWB	EDB	TC	SHC
57.2	68.0	22.38	17.29
		°F	PI

- Symbols
- AFR Air Flow rate (m<sup>3</sup>/min)
  - BPF Bypass factor (°C)/(°F)
  - EWB Entering Wet Bulb (°C)/(°F)
  - EDB Entering Dry Bulb (kW)/(kBtu/h)
  - TC Total Capacity (kW)/(kBtu/h)
  - SHC Sensible Heat Capacity (kW)
  - PI Power Input

- NOTES:
- Shows nominal (rated) capacities and power input
  - TC, SHC and PI must be calculated by interpolation using the figures in the above table
  - Capacities are based on the following condition  
Corresponding refrigerant piping length :25ft  
Level difference :0ft

# Heatpump

Model : FTX09B - RX09B

AFR	11.20
BPF	0.25

Cooling: 208 - 230V 60Hz  
Temp. Capacity / TC, SHC, PI, kW

Indoor Temperature	Outdoor temperature [°C DB]																
	10		20		25		30		35		40		46				
°C	TC	SHC	PI	TC	SHC	PI	TC	SHC	PI	TC	SHC	PI	TC	SHC	PI		
14	2.0	3.39	2.60	0.56	2.67	2.26	0.55	2.55	2.12	2.14	0.65	2.38	2.12	2.18	0.76	1.14	0.50
16	22	3.59	2.58	0.56	2.79	2.22	0.55	2.67	2.10	2.13	0.66	2.50	2.09	2.13	0.76	1.23	0.48
18	25	3.79	2.73	0.56	2.91	2.36	0.55	2.79	2.31	2.16	0.66	2.62	2.26	2.43	0.76	1.31	0.47
19	27	3.89	2.88	0.57	2.97	2.51	0.55	2.85	2.47	2.42	0.66	2.68	2.40	2.68	0.77	1.35	0.47
22	30	4.19	2.81	0.57	3.15	2.44	0.56	3.03	2.39	2.35	0.66	2.86	2.34	2.69	0.77	1.47	0.45
24	32	4.39	2.75	0.57	3.27	2.38	0.56	3.15	2.34	2.31	0.67	2.98	2.29	2.79	0.78	1.55	0.44

Cooling: 208 - 230V 60Hz  
Temp. Capacity / TC, SHC, PI, kW

Indoor Temperature	Outdoor temperature [°C WB]																								
	50		68		77		86		90		95		104		115										
°C	TC	SHC	PI	TC	SHC	PI	TC	SHC	PI	TC	SHC	PI	TC	SHC	PI										
57.2	68.0	11.56	8.89	0.56	9.12	7.71	0.55	8.70	7.51	0.60	8.28	7.32	0.65	8.12	7.24	0.67	7.87	7.13	0.71	7.45	6.94	0.76	3.91	3.91	0.50
60.8	71.6	12.24	8.80	0.56	9.54	7.57	0.55	9.11	7.39	0.60	8.68	7.20	0.66	8.54	7.14	0.68	8.28	7.03	0.71	7.87	7.38	0.76	4.19	4.19	0.48
64.4	77.0	12.93	9.30	0.56	9.94	8.04	0.55	9.54	7.88	0.61	9.11	7.71	0.66	8.95	7.64	0.68	8.68	7.54	0.71	8.28	7.88	0.76	4.47	4.47	0.47
67.0	80.0	13.27	9.84	0.57	10.14	8.57	0.55	9.73	8.41	0.61	9.31	8.25	0.66	9.15	8.19	0.68	8.90	8.09	0.71	8.49	7.94	0.77	4.61	4.61	0.47
71.6	86.0	14.29	9.58	0.57	10.76	8.31	0.56	10.35	8.17	0.61	9.92	8.03	0.66	9.76	7.97	0.69	9.51	7.89	0.72	8.99	8.11	0.77	5.02	5.02	0.45
75.2	89.6	14.97	9.39	0.57	11.17	8.13	0.56	10.76	8.00	0.62	10.35	7.87	0.67	10.17	7.82	0.69	9.92	7.74	0.72	9.51	7.75	0.77	5.29	5.29	0.44

Heating: 208 - 230V 60Hz  
Temp. Capacity / TC, SHC, PI, kW

Indoor Temperature	Outdoor temperature [°C WB]														
	-15		-10		-5		0		6		10		18		
°C	TC	SHC	PI	TC	SHC	PI	TC	SHC	PI	TC	SHC	PI	TC	SHC	PI
15.0	1.39	0.46	1.68	0.48	1.96	0.51	2.24	0.67	3.03	0.70	3.30	0.73	4.99	1.23	
20.0	1.31	0.47	1.59	0.50	1.87	0.52	2.16	0.69	2.83	0.72	3.20	0.74	4.71	1.25	
22.0	1.27	0.48	1.56	0.50	1.84	0.53	2.12	0.69	2.89	0.72	3.16	0.75	4.60	1.25	
24.0	1.24	0.48	1.52	0.51	1.80	0.53	2.08	0.70	2.85	0.73	3.11	0.76	4.49	1.26	
25.0	1.22	0.49	1.50	0.51	1.79	0.54	2.07	0.70	2.83	0.73	3.09	0.76	4.43	1.26	
27.0	1.19	0.49	1.47	0.52	1.75	0.54	2.03	0.70	2.79	0.74	3.05	0.76	4.32	1.27	

Heating: 208 - 230V 60Hz  
Temp. Capacity / TC, SHC, PI, kW

Indoor Temperature	Outdoor temperature [°C WB]														
	5		14		23		32		43		50		64		
°C	TC	SHC	PI	TC	SHC	PI	TC	SHC	PI	TC	SHC	PI	TC	SHC	PI
58.0	4.75	0.56	5.72	0.48	6.58	0.51	7.46	0.67	10.54	0.70	11.75	0.73	17.09	1.73	
20.0	4.48	0.57	5.43	0.50	6.39	0.52	7.26	0.69	10.09	0.72	10.91	0.74	16.08	1.25	
22.0	4.35	0.48	5.31	0.50	6.28	0.53	7.24	0.69	9.85	0.72	10.77	0.75	15.70	1.25	
24.0	4.23	0.48	5.20	0.51	6.15	0.53	7.11	0.70	9.72	0.73	10.63	0.76	15.32	1.26	
25.0	4.17	0.49	5.12	0.51	6.10	0.54	7.07	0.70	9.66	0.73	10.55	0.76	15.13	1.26	
27.0	4.06	0.49	5.02	0.52	5.97	0.54	6.94	0.70	9.51	0.74	10.42	0.76	14.74	1.27	

Cooling Capacity at -15°C / 5°F  
208 - 230V 60Hz

Indoor Temperature	Outdoor temperature [°C DB]														
	14.0		20.0		25.0		32.0		43.0		50.0		64.0		
°C	TC	SHC	PI	TC	SHC	PI	TC	SHC	PI	TC	SHC	PI	TC	SHC	PI
57.2	68.0	10.02	8.59	0.37											

208 - 230V 60Hz  
Temp. Capacity / TC, SHC, PI, kW

Indoor Temperature	Outdoor temperature [°C WB]														
	5.0		14.0		23.0		32.0		43.0		50.0		64.0		
°C	TC	SHC	PI	TC	SHC	PI	TC	SHC	PI	TC	SHC	PI	TC	SHC	PI
57.2	68.0	10.02	8.59	0.37											

Symbols  
AFR Air Flow rate (m<sup>3</sup>/min)  
BPF Bypass factor  
EWB Entering Wet Bulb (°C) / (°F)  
EDB Entering Dry Bulb (°C) / (°F)  
TC Total Capacity (kW) / (kWh/h)  
SHC Sensible Heat Capacity (kW) / (kWh/h)  
PI Power Input

NOTES:  
1) Shows nominal (rated) capacities and power input  
2) TC, SHC and PI must be calculated by interpolation using the figures in the above table  
3) Capacities are based on the following condition  
Level difference .25ft  
-0ft

Model : FTX12B - RX12B

AFR	12.35
BPF	0.20

Cooling: 208 - 230V 60Hz  
Temp: Celsius/TC,SHC,PI/kW

Indoor Temperature	Outdoor temperature [°C DB]														
	10		20		25		30		35		40		46		
°C	TC	SHC	PI	TC	SHC	PI	TC	SHC	PI	TC	SHC	PI	TC	SHC	PI
14.0	20.0	4.15	3.05	0.87	3.27	2.62	0.67	3.12	2.55	0.73	2.97	2.48	0.80	2.92	2.45
16.0	22.0	4.34	3.01	0.88	3.42	2.58	0.67	3.27	2.51	0.74	3.12	2.44	0.80	2.83	2.31
18.0	25.0	4.52	3.14	0.88	3.57	2.72	0.68	3.42	2.66	0.74	3.27	2.60	0.80	3.21	2.57
19.0	27.0	4.61	3.29	0.88	3.64	2.89	0.68	3.49	2.83	0.74	3.34	2.77	0.80	3.28	2.74
22.0	30.0	4.89	3.17	0.89	3.86	3.27	0.74	3.72	2.74	0.75	3.56	2.69	0.81	3.51	2.67
24.0	32.0	5.39	3.20	0.95	4.01	2.73	0.69	3.86	2.68	0.75	3.72	2.63	0.82	3.65	2.61

Cooling: 208 - 230V 60Hz  
Temp: Fahrenheit/TC,SHC,kBtu/h / P/kW

Indoor Temperature	Outdoor temperature [°F DB]														
	50		68		77		86		95		104		115		
°F	TC	SHC	PI	TC	SHC	PI	TC	SHC	PI	TC	SHC	PI	TC	SHC	PI
57.2	68.0	14.16	10.45	0.87	11.17	8.96	0.67	10.65	8.71	0.73	10.15	8.46	0.80	9.95	8.37
60.8	71.6	14.80	10.25	0.88	11.68	8.79	0.67	11.16	8.56	0.74	10.64	8.33	0.80	10.46	8.25
64.4	77.0	15.44	10.70	0.88	12.18	9.28	0.68	11.68	9.07	0.74	11.16	8.86	0.80	10.97	8.78
67.0	80.0	15.74	11.23	0.88	12.42	9.84	0.68	11.92	9.64	0.74	11.40	9.44	0.80	11.20	9.36
71.6	86.0	16.70	10.83	0.89	13.18	9.52	0.68	12.68	9.52	0.75	12.16	9.17	0.81	11.96	9.10
75.2	89.6	18.38	10.91	0.95	13.68	9.30	0.69	13.18	9.14	0.75	12.68	8.96	0.82	12.46	8.91

Heating: 208 - 230V 60Hz  
Temp: Celsius/TC,SHC,P/kW

Indoor Temperature	Outdoor temperature [°C WB]													
	-15		-10		-5		0		6		10		18	
°C	TC	PI	TC	PI	TC	PI	TC	PI	TC	PI	TC	PI	TC	PI
15.0	1.73	0.57	2.09	0.60	2.52	0.63	2.89	0.56	4.09	1.02	4.45	1.05	5.85	1.49
20.0	1.63	0.58	1.98	0.61	2.41	0.64	2.78	0.59	3.96	1.04	4.32	1.07	5.62	1.53
22.0	1.59	0.59	1.94	0.62	2.37	0.65	2.73	0.59	3.90	1.05	4.26	1.08	5.53	1.54
24.0	1.54	0.59	1.90	0.63	2.32	0.66	2.68	1.01	3.85	1.05	4.21	1.09	5.43	1.56
25.0	1.52	0.60	1.87	0.63	2.30	0.66	2.67	1.01	3.82	1.06	4.17	1.10	5.40	1.57
27.0	1.48	0.60	1.83	0.64	2.25	0.67	2.62	1.02	3.76	1.07	4.12	1.10	5.30	1.71

Heating: 208 - 230V 60Hz  
Temp: Fahrenheit/TC,SHC,kBtu/h / P/kW

Indoor Temperature	Outdoor temperature [°F WB]													
	5		14		23		32		43		50		64	
°F	TC	PI	TC	PI	TC	PI	TC	PI	TC	PI	TC	PI	TC	PI
59.0	5.91	0.57	7.12	0.60	8.60	0.63	9.86	0.56	13.96	1.02	15.19	1.05	19.96	1.49
70.0	5.58	0.58	6.76	0.61	8.23	0.64	9.48	0.59	13.50	1.04	14.72	1.07	19.18	1.53
71.6	5.41	0.59	6.62	0.62	8.08	0.65	9.32	0.59	13.30	1.05	14.54	1.08	18.86	1.54
75.2	5.27	0.59	6.47	0.63	7.92	0.66	9.15	1.01	13.12	1.05	14.35	1.09	18.53	1.56
77.0	5.19	0.60	6.38	0.63	7.86	0.66	9.10	1.01	13.04	1.06	14.28	1.10	18.43	1.57
80.6	5.05	0.60	6.23	0.64	7.69	0.67	8.93	1.02	12.84	1.07	14.07	1.10	18.75	1.71

Cooling Capacity at -15°C / 5°F

208 - 230V 60Hz  
Temp: Celsius/TC,SHC,PI/kW

Indoor Temperature	Outdoor temperature [°C DB]			
	°C	TC	SHC	PI
14.0	20.0	3.56	2.73	0.52

Indoor Temperature	Outdoor temperature [°F DB]			
	°F	TC	SHC	PI
57.2	68.0	8.80	12.13	9.33

Indoor Temperature	Outdoor temperature [°F WB]			
	°F	TC	SHC	PI
57.2	68.0	8.80	12.13	9.33

- Symbols
- AFR Air Flow rate
  - BPF Bypass factor
  - EWB Entering Wet Bulb
  - EDB Entering Dry Bulb
  - TC Total Capacity
  - SHC Sensible Heat Capacity
  - PI Power input

- (m<sup>3</sup>/min)
- (C)/ (°F)
  - (kW)/(kBtu/h)
  - (kW)

- NOTES:
- Shows nominal (rated) capacities and power input
  - TC, SHC and PI must be calculated by interpolation using the figures in the above table
  - Capacities are based on the following condition  
Corresponding refrigerant piping length  
Level difference  
.25ft  
.0ft

Model : FTX18B - RX18B

AFR 20.27  
BPF 0.31

Cooling: 208 - 230V 60Hz  
Temp.: Celsius/TC,SHC,PI/kW

Indoor Temperature		Outdoor temperature [°C DB]																										
		10			20			25			30			32			35			40			46					
°C	°F	TC	SHC	PI	TC	SHC	PI	TC	SHC	PI	TC	SHC	PI	TC	SHC	PI	TC	SHC	PI	TC	SHC	PI	TC	SHC	PI			
14	20	6.85	2.92	1.13	5.41	4.10	1.10	5.16	3.98	1.21	4.91	3.86	1.31	4.81	3.81	1.36	4.67	3.74	1.43	4.42	3.62	1.53	4.24	3.57	1.54	2.48	2.17	0.98
16	22	7.26	2.88	1.13	5.65	4.03	1.11	5.40	3.91	1.22	5.15	3.79	1.33	5.06	3.75	1.37	4.91	3.68	1.43	4.67	3.57	1.54	4.24	3.57	1.54	2.48	2.17	0.98
18	25	7.66	3.10	1.14	5.90	4.22	1.12	5.65	4.11	1.23	5.40	4.01	1.33	5.31	3.97	1.37	5.15	3.90	1.44	4.91	3.80	1.54	4.24	3.57	1.54	2.48	2.17	0.98
19	27	7.87	3.22	1.14	6.01	4.45	1.12	5.77	4.34	1.23	5.52	4.24	1.33	5.42	4.20	1.37	5.28	4.14	1.44	4.91	3.80	1.54	4.24	3.57	1.54	2.48	2.17	0.98
22	30	8.47	3.26	1.15	6.38	4.29	1.13	6.13	4.20	1.24	5.88	4.11	1.34	5.79	4.08	1.38	5.64	4.02	1.45	5.40	3.94	1.56	4.24	3.57	1.54	2.48	2.17	0.98
24	32	8.88	3.20	1.16	6.62	4.18	1.14	6.38	4.10	1.24	6.13	4.02	1.35	6.03	3.99	1.40	5.88	3.94	1.46	5.64	3.86	1.57	4.24	3.57	1.54	2.48	2.17	0.98

Cooling: 208 - 230V 60Hz  
Temp.: Fahrenheit/TC,SHC,kBtu/h / P/kW

Indoor Temperature		Outdoor temperature [°F DB]																										
		50			68			77			86			90			95			104			115					
°F	°C	TC	SHC	PI	TC	SHC	PI	TC	SHC	PI	TC	SHC	PI	TC	SHC	PI	TC	SHC	PI	TC	SHC	PI	TC	SHC	PI			
57.2	68.0	23.38	9.95	1.13	18.45	14.00	1.10	17.59	13.57	1.21	16.75	13.16	1.31	16.42	12.99	1.36	15.93	12.75	1.43	15.07	12.34	1.53	14.57	12.34	1.53	7.90	6.94	1.00
60.8	71.6	24.77	9.82	1.13	19.29	13.74	1.11	18.44	13.34	1.22	17.57	12.94	1.33	17.27	12.80	1.37	16.75	12.57	1.43	15.93	12.20	1.54	14.57	12.34	1.53	7.90	6.94	1.00
64.4	77.0	26.15	10.59	1.14	20.12	14.40	1.12	19.29	14.04	1.23	18.44	13.67	1.33	18.11	13.53	1.37	17.57	13.30	1.44	16.74	12.95	1.54	14.57	12.34	1.53	7.90	6.94	1.00
67.0	80.0	26.84	10.97	1.14	20.51	15.17	1.12	19.68	14.82	1.23	18.83	14.47	1.33	18.50	14.33	1.37	18.00	14.13	1.44	17.17	13.80	1.55	14.57	12.34	1.53	7.90	6.94	1.00
71.6	86.0	28.92	11.11	1.15	21.76	14.65	1.13	20.93	14.34	1.24	20.08	14.03	1.34	19.75	13.91	1.38	19.24	13.72	1.45	18.44	13.43	1.56	14.57	12.34	1.53	7.90	6.94	1.00
75.2	89.6	30.29	10.90	1.16	22.59	14.28	1.14	21.76	14.00	1.24	20.93	13.72	1.35	20.58	13.60	1.40	20.08	13.43	1.46	19.24	13.16	1.57	14.57	12.34	1.53	7.90	6.94	1.00

Heating: 208 - 230V 60Hz  
Temp.: Celsius/TC,SHC,PI/kW

Indoor Temperature		Outdoor temperature [°C WB]																							
		-15			-10			-5			0			6			10			13					
°C	°F	TC	SHC	PI	TC	SHC	PI	TC	SHC	PI	TC	SHC	PI	TC	SHC	PI	TC	SHC	PI	TC	SHC	PI	TC	SHC	PI
15.0	30.1	3.01	1.12	3.62	1.18	4.23	1.25	4.85	1.63	6.55	1.72	7.12	1.78	10.78	3.01										
20.0	20.0	2.84	1.16	3.44	1.22	4.05	1.27	4.66	1.67	6.33	1.76	6.90	1.81	10.18	3.04										
22.0	27.5	2.75	1.18	3.36	1.23	3.97	1.29	4.58	1.68	6.24	1.77	6.82	1.83	9.94	3.06										
24.0	26.6	2.64	1.18	3.29	1.25	3.89	1.30	4.50	1.70	6.15	1.78	6.73	1.85	9.70	3.07										
25.0	25.0	2.54	1.19	3.24	1.25	3.87	1.31	4.48	1.71	6.11	1.79	6.68	1.85	9.58	3.08										
27.0	25.7	2.57	1.20	3.18	1.27	3.78	1.32	4.39	1.72	6.02	1.81	6.60	1.87	9.33	3.09										

Heating: 208 - 230V 60Hz  
Temp.: Fahrenheit/TC,SHC,kBtu/h / P/kW

Indoor Temperature		Outdoor temperature [°F WB]																							
		5			14			23			32			43			50			64					
°F	°C	TC	SHC	PI	TC	SHC	PI	TC	SHC	PI	TC	SHC	PI	TC	SHC	PI	TC	SHC	PI	TC	SHC	PI	TC	SHC	PI
59.0	10.26	1.12	12.36	1.18	14.44	1.25	16.54	1.63	22.34	1.72	24.30	1.78	26.37	3.01											
20.0	68.0	9.68	1.16	11.72	1.22	13.81	1.27	15.90	1.67	21.60	1.76	23.56	1.81	30.73	3.04										
22.0	71.6	9.39	1.18	11.48	1.23	13.56	1.29	15.63	1.68	21.29	1.77	23.26	1.83	30.91	3.06										
24.0	75.2	9.14	1.18	11.23	1.25	13.28	1.30	15.36	1.70	21.00	1.78	22.96	1.85	30.09	3.07										
25.0	77.0	9.01	1.19	11.07	1.25	13.19	1.31	15.28	1.71	20.86	1.79	22.79	1.85	30.68	3.08										
27.0	80.0	8.77	1.20	10.84	1.27	12.90	1.32	14.99	1.72	20.55	1.81	22.51	1.87	31.84	3.09										

Cooling Capacity at -15°C / 5°F  
208 - 230V 60Hz

Temp.: Celsius/TC,SHC,PI/kW	Temp.: Fahrenheit/TC,SHC,kBtu/h / P/kW
Indoor Temperature	Indoor Temperature
°C	°F
14.0	20.0
TC	TC
SHC	SHC
PI	PI
4.64	6.01
0.71	0.71

Symbols

- AFR Air Flow rate (m³/min)
- BPF Bypass factor (°C) / (°F)
- EWB Entering Wet Bulb (°C) / (°F)
- EDB Entering Dry Bulb (kW) / (kBtu/h)
- TC Total Capacity (kW) / (kBtu/h)
- SHC Sensible Heat Capacity (kW)
- PI Power Input

- NOTES:
- Shows nominal (rated) capacities and power input
  - TC, SHC and PI must be calculated by interpolation using the figures in the above table
  - Capacities are based on the following condition:  
Corresponding refrigerant piping length :25ft  
Level difference :0ft

Model : FTX24B - RX24B

AFR	20.27
BPF	0.31

Cooling: 208 - 230V 60Hz  
Temp.: Celcius/TC,SHC,PI;kW

Indoor Temperature		Outdoor temperature [°C DB]																							
		10		20		25		30		32		35		40		45									
EWB	EDB	TC	SHC	PI	TC	SHC	PI	TC	SHC	PI	TC	SHC	PI	TC	SHC	PI	TC	SHC	PI						
14	20	8.07	2.92	1.36	6.37	4.60	1.33	6.07	4.45	1.46	5.78	4.30	1.39	5.67	4.24	1.64	5.50	4.15	1.72	5.20	4.00	1.85	2.73	2.03	1.21
16	22	8.55	2.88	1.37	6.66	4.52	1.34	6.36	4.37	1.47	6.06	4.22	1.60	5.96	4.17	1.65	5.78	4.09	1.72	5.50	3.95	1.86	2.93	2.17	1.18
18	25	9.03	3.10	1.37	6.94	4.69	1.35	6.66	4.56	1.48	6.36	4.43	1.60	6.25	4.38	1.66	6.06	4.29	1.74	5.78	4.17	1.86	3.12	2.28	1.15
19	27	9.27	3.22	1.38	7.08	4.91	1.35	6.79	4.78	1.48	6.50	4.66	1.60	6.39	4.61	1.66	6.21	4.53	1.74	5.93	4.41	1.88	3.22	2.34	1.14
22	30	9.98	3.26	1.39	7.51	4.73	1.36	7.23	4.62	1.49	6.93	4.50	1.62	6.82	4.46	1.67	6.64	4.39	1.75	6.36	4.29	1.88	3.51	2.52	1.10
24	32	10.45	3.20	1.40	7.80	4.60	1.37	7.51	4.50	1.50	7.23	4.40	1.63	7.10	4.35	1.69	6.93	4.29	1.76	6.64	4.19	1.89	3.69	2.65	1.07

Cooling: 208 - 230V 60Hz  
Temp.: Fahrenheit/TC,SHC,kBtu/h / Pi,kW

Indoor Temperature		Outdoor temperature [°F DB]																							
		50		68		77		86		90		95		104		115									
EWB	EDB	TC	SHC	PI	TC	SHC	PI	TC	SHC	PI	TC	SHC	PI	TC	SHC	PI	TC	SHC	PI						
57.2	68.0	27.53	9.95	1.36	21.73	15.71	1.33	20.72	15.17	1.46	19.73	14.66	1.59	19.34	14.46	1.64	18.76	14.16	1.72	17.75	13.65	1.85	9.31	6.94	1.21
60.8	71.6	29.17	9.82	1.37	22.72	15.41	1.34	21.71	14.91	1.47	20.69	14.41	1.60	20.34	14.24	1.65	19.73	13.95	1.72	18.76	13.49	1.86	9.98	7.39	1.18
64.4	77.0	30.80	10.59	1.37	23.69	16.01	1.35	22.72	15.56	1.48	21.71	15.11	1.60	21.33	14.93	1.66	20.69	14.65	1.74	19.72	14.22	1.86	10.64	7.78	1.15
67.0	80.0	31.61	10.97	1.38	24.16	16.76	1.35	23.18	16.32	1.48	22.18	15.88	1.60	21.79	15.72	1.66	21.20	15.46	1.74	20.23	15.05	1.88	10.97	7.99	1.14
71.6	86.0	34.06	11.11	1.39	25.63	16.14	1.36	24.65	15.75	1.49	23.65	15.36	1.62	23.26	15.21	1.67	22.66	14.98	1.75	21.71	14.63	1.88	11.97	8.60	1.10
75.2	89.6	35.67	10.90	1.40	26.60	15.70	1.37	25.63	15.34	1.50	24.65	15.00	1.63	24.23	14.85	1.69	23.65	14.64	1.76	22.66	14.30	1.89	12.61	9.03	1.07

Heating: 208 - 230V 60Hz  
Temp.: Celcius/TC,SHC,PI;kW

Indoor Temperature		Outdoor temperature [°C WB]														
		-15		-10		-5		0		6		10		18		
EWB	EDB	TC	SHC	PI	TC	SHC	PI	TC	SHC	PI	TC	SHC	PI	TC	SHC	PI
15.0	15.0	3.28	1.28	3.96	1.35	4.62	1.42	5.30	1.86	7.15	1.96	7.78	2.03	11.78	3.44	3.44
20.0	20.0	3.10	1.32	3.75	1.39	4.42	1.45	5.09	1.91	6.92	2.01	7.54	2.07	11.12	3.47	3.47
22.0	22.0	3.01	1.34	3.68	1.41	4.34	1.47	5.01	1.92	6.82	2.02	7.45	2.09	10.86	3.49	3.49
24.0	24.0	2.93	1.35	3.59	1.42	4.25	1.49	4.92	1.94	6.72	2.03	7.35	2.11	10.60	3.51	3.51
25.0	25.0	2.88	1.36	3.54	1.42	4.22	1.50	4.89	1.96	6.68	2.05	7.30	2.12	10.46	3.51	3.51
27.0	27.0	2.81	1.37	3.47	1.45	4.15	1.51	4.80	1.96	6.58	2.07	7.21	2.13	10.20	3.55	3.55

Heating: 208 - 230V 60Hz  
Temp.: Fahrenheit/TC,SHC,kBtu/h / Pi,kW

Indoor Temperature		Outdoor temperature [°F WB]														
		5		14		23		32		43		50		64		
EWB	EDB	TC	SHC	PI	TC	SHC	PI	TC	SHC	PI	TC	SHC	PI	TC	SHC	PI
59.0	59.0	11.21	1.28	13.50	1.35	15.77	1.42	18.08	1.86	24.40	1.96	26.55	2.03	40.18	3.44	3.44
20.0	20.0	10.57	1.32	12.81	1.39	15.09	1.45	17.37	1.91	23.60	2.01	25.74	2.07	37.94	3.47	3.47
22.0	22.0	10.26	1.34	12.54	1.41	14.81	1.47	17.08	1.92	23.26	2.02	25.41	2.09	37.05	3.49	3.49
24.0	24.0	9.98	1.35	12.28	1.42	14.51	1.49	16.78	1.94	22.94	2.03	25.09	2.11	36.15	3.51	3.51
25.0	25.0	9.84	1.36	12.09	1.42	14.41	1.50	16.69	1.96	22.79	2.05	24.90	2.12	35.70	3.51	3.51
27.0	27.0	9.58	1.37	11.85	1.45	14.10	1.51	16.38	1.96	22.45	2.07	24.59	2.13	34.79	3.53	3.53

Cooling Capacity at -15°C / 5°F  
208 - 230V 60Hz  
Temp.: Celcius/TC,SHC,PI;kW

Indoor Temperature		Outdoor temperature [°C DB]	
EWB	EDB	°F	°C
14.0	20.0	6.56	5.07
		0.96	0.96

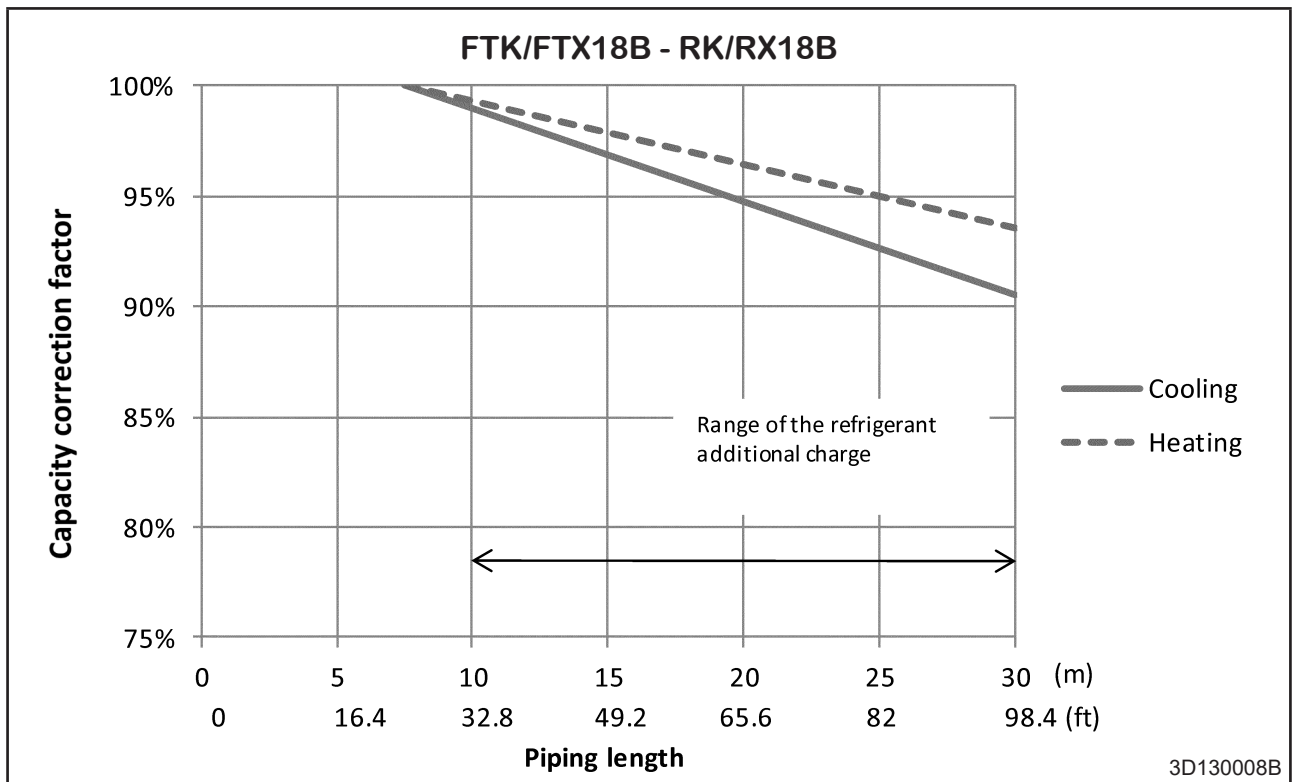
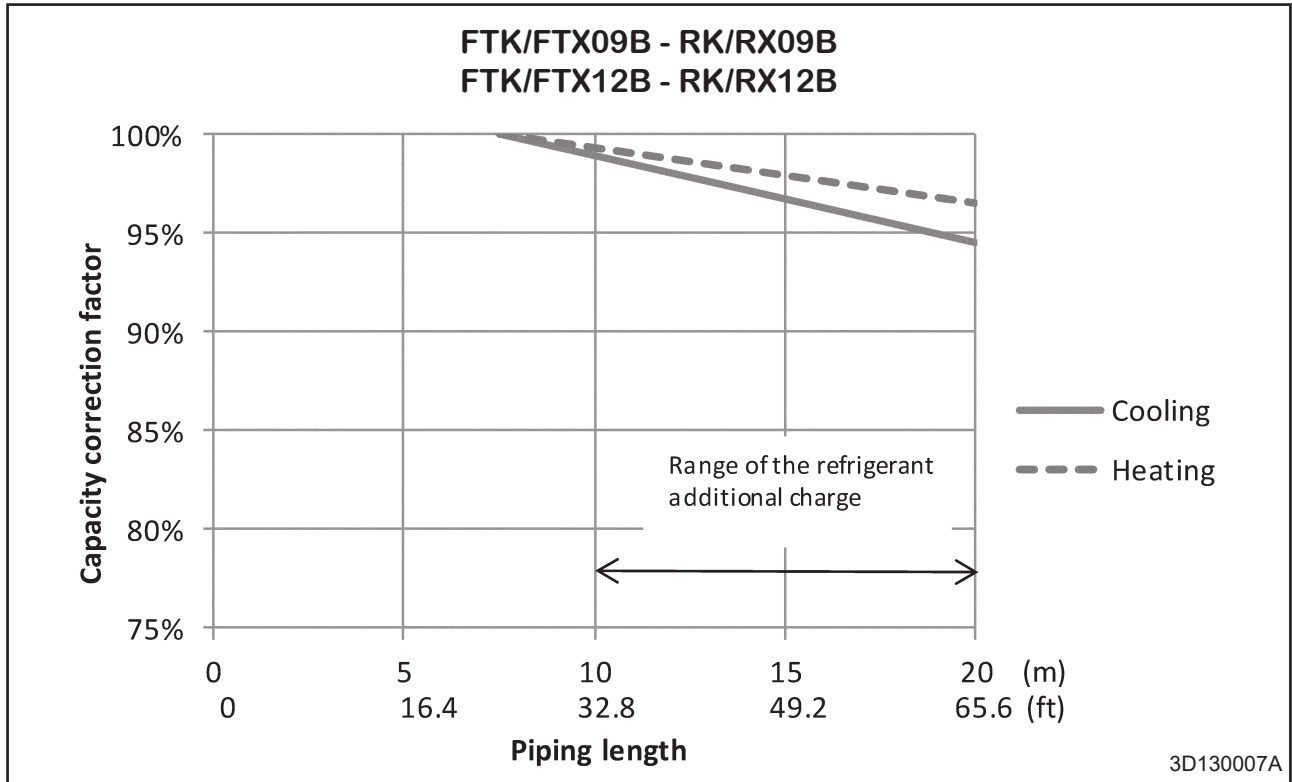
208 - 230V 60Hz  
Temp.: Fahrenheit/TC,SHC,kBtu/h / Pi,kW

Indoor Temperature		Outdoor temperature [°F DB]	
EWB	EDB	°F	°C
57.2	68.0	22.38	17.29
		0.96	0.96

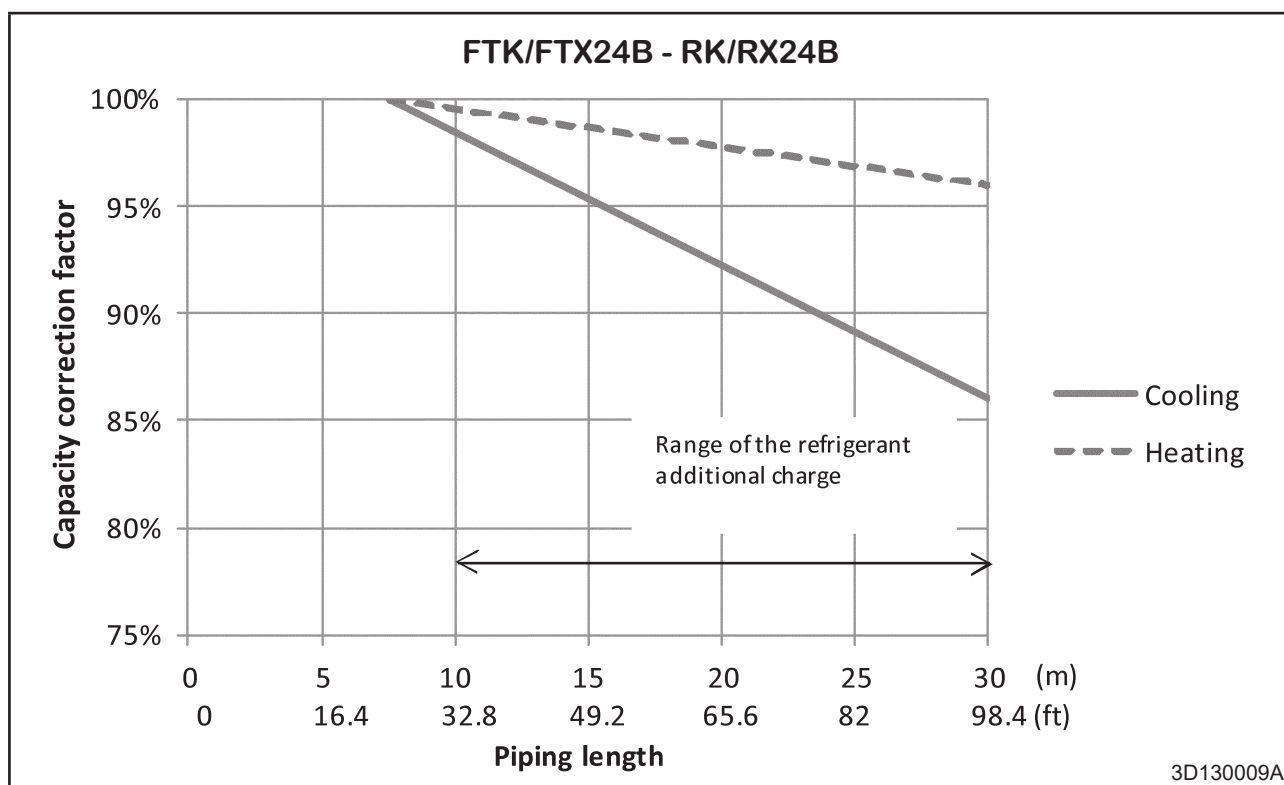
- Symbols
- AFR Air Flow rate (m<sup>3</sup>/min)
  - BPF Bypass Factor
  - EWB Entering Wet Bulb (°C) / (°F)
  - EDB Entering Dry Bulb (°C) / (°F)
  - TC Total Capacity (kW) / (kBtu/h)
  - SHC Sensible Heat Capacity (kW) / (kBtu/h)
  - PI Power Input

- NOTES:
- Shows nominal (rated) capacities and power input
  - TC, SHC and PI must be calculated by interpolation using the figures in the above table
  - Capacities are based on the following condition:  
Corresponding refrigerant piping length : 25ft  
Level difference : 0ft

Capacity correction factor by the length of refrigerant piping





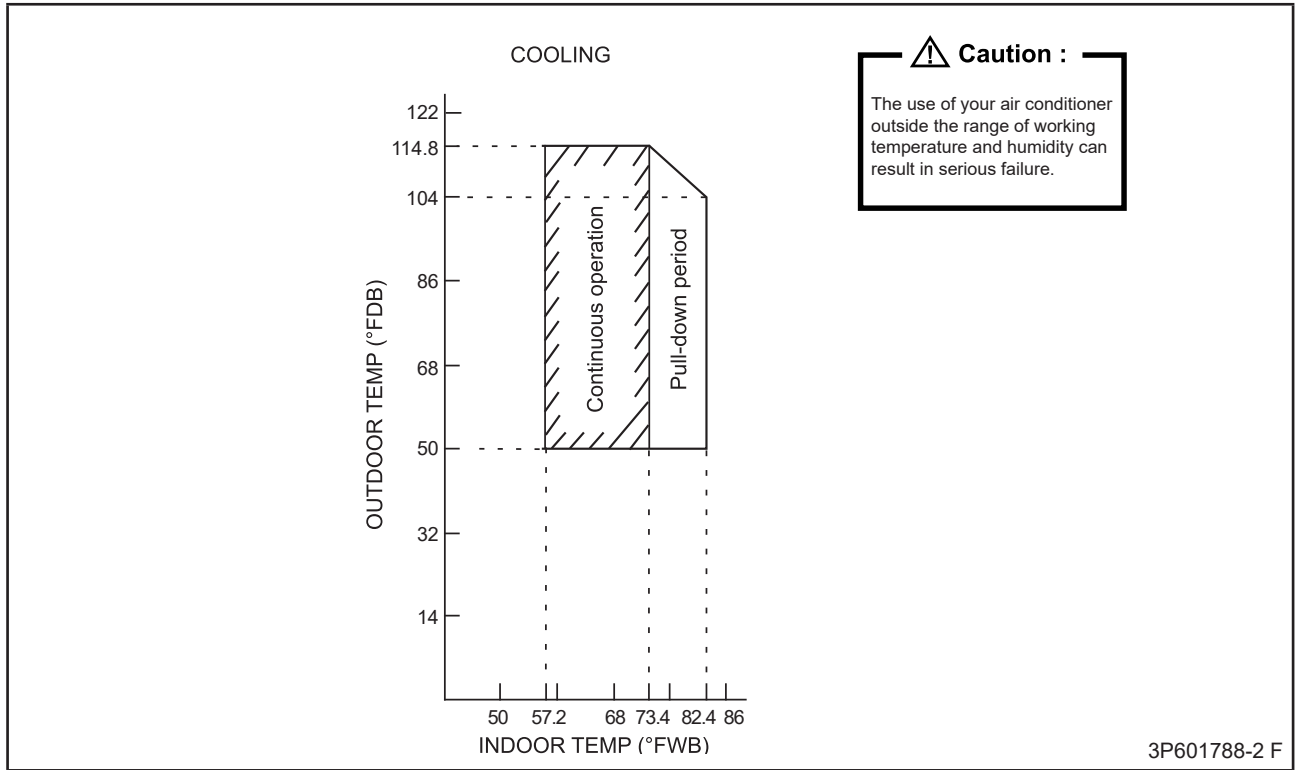
**Notes:**

- 1.----- represents the capacity correction factor for the capacity when additional refrigerant of the proper quantity is charged.
- 2.The correction ratio remains the same whether the outdoor unit is to be installed above or below the unit.
- 3.Calculation method for capacity  
Capacity = capacity obtained from engineering data x capacity correction factor
- 4.The actual unit piping length shall not exceed the maximum piping length shown on the table.

# Operation Limit

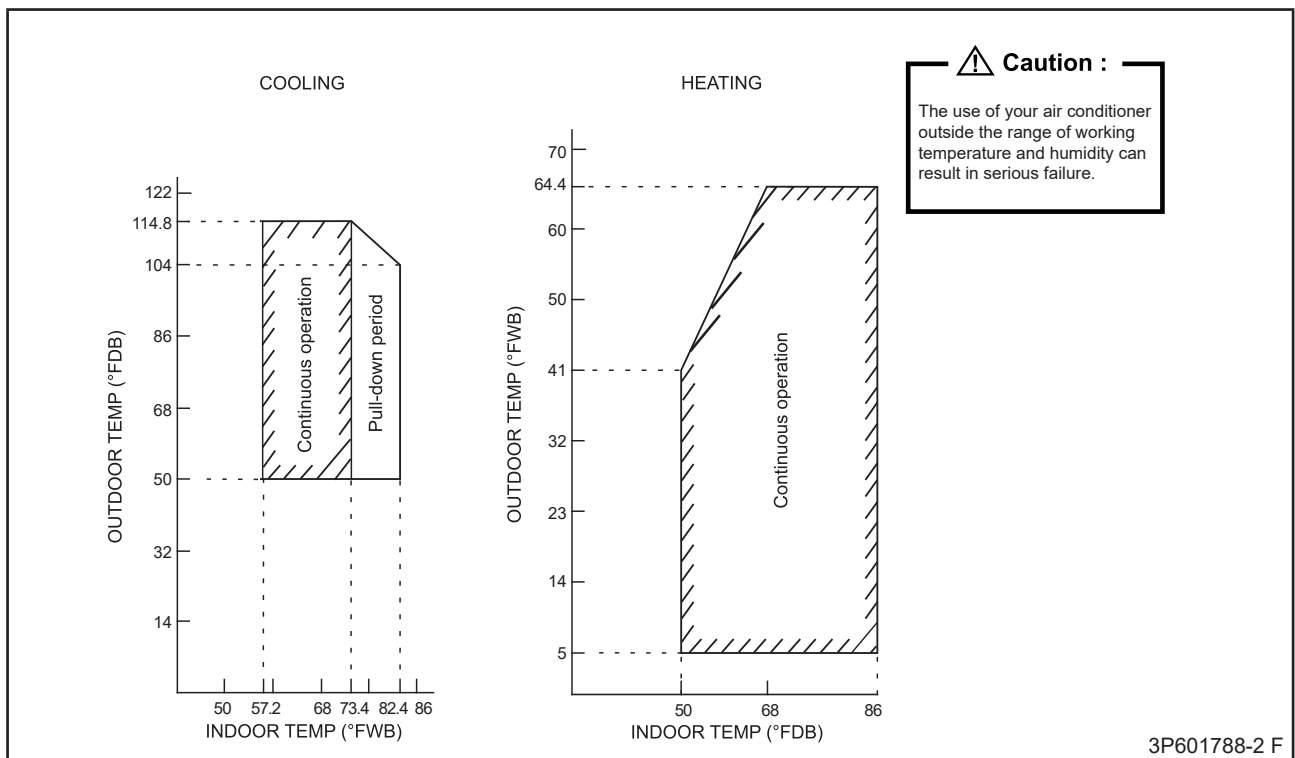
## Cooling Only

Model : RK-B



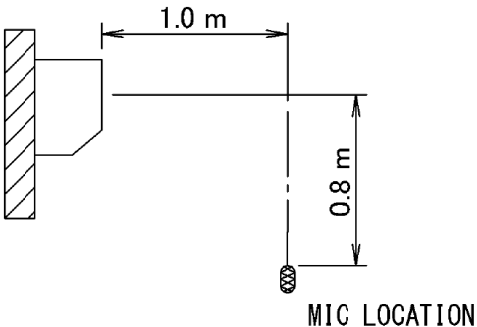
## Heatpump

Model : RX-B



# Sound Level

## Measuring Location

Model	Measuring Location
FTK/FTX09B FTK/FTX12B FTK/FTX18B FTK/FTX24B	 <p>The diagram illustrates the measuring location for sound level measurement. It shows a device (represented by a hatched rectangle) and a microphone (represented by a small circle with a vertical line). The microphone is positioned 1.0 m horizontally and 0.8 m vertically from the device. The text "MIC LOCATION" is placed below the microphone symbol.</p>

**Notes:**

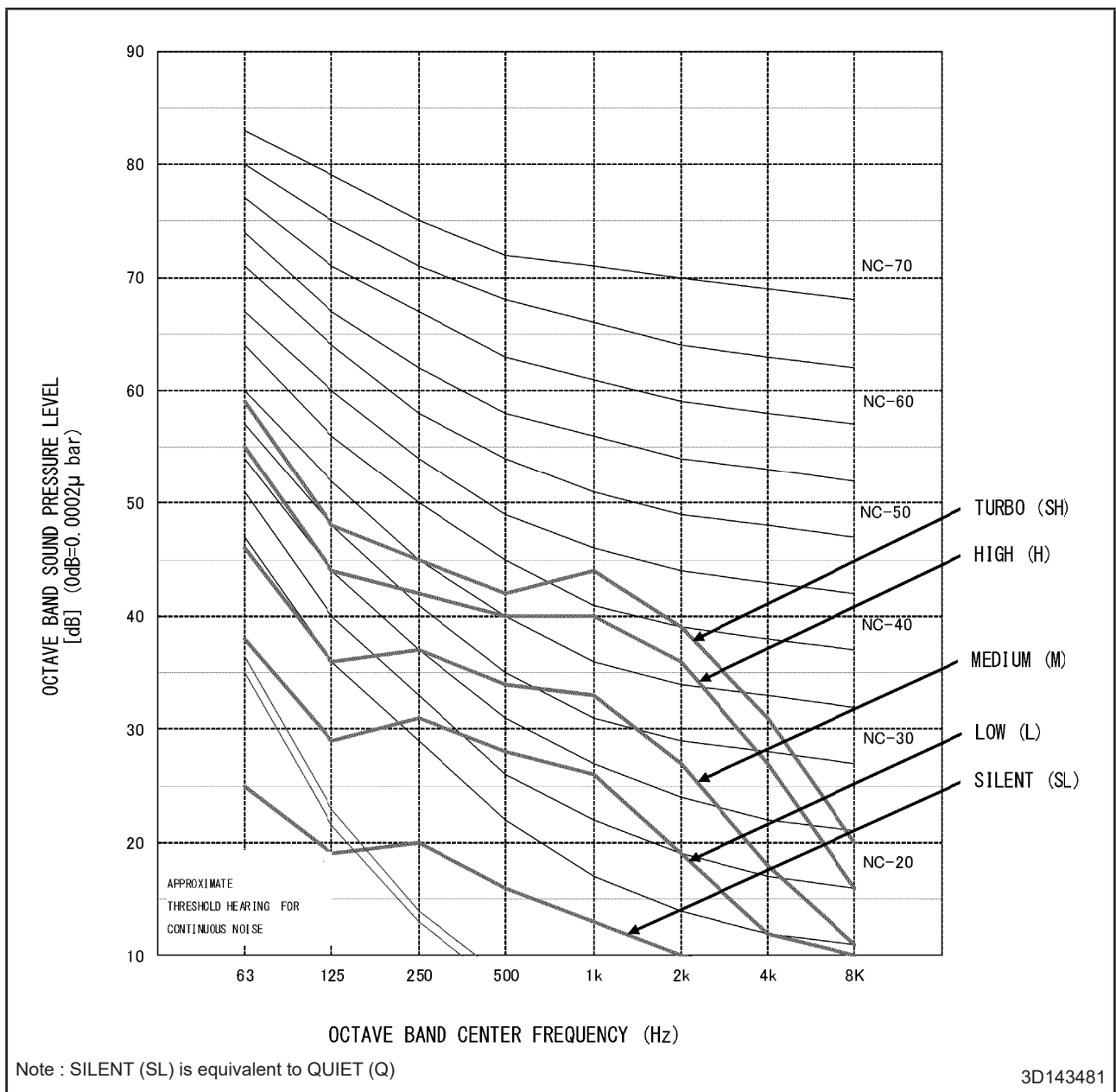
1. Operation sound is measured in an anechoic chamber.

## Cooling Only

### Sound Pressure Level

Model	Speed	1/1 Octave A-weighted Sound Pressure Level (dB, ref 20μPa)								Overall (dBA)	Noise Criteria
		63Hz	125Hz	250Hz	500Hz	1kHz	2kHz	4kHz	8kHz		
FTK09B	High	55	44	42	40	40	36	27	16	44	39
	Med	46	36	37	34	33	27	18	11	37	32
	Low	38	29	31	28	26	19	12	10	30	24
	Quiet	25	19	20	16	13	10	8	9	19	0

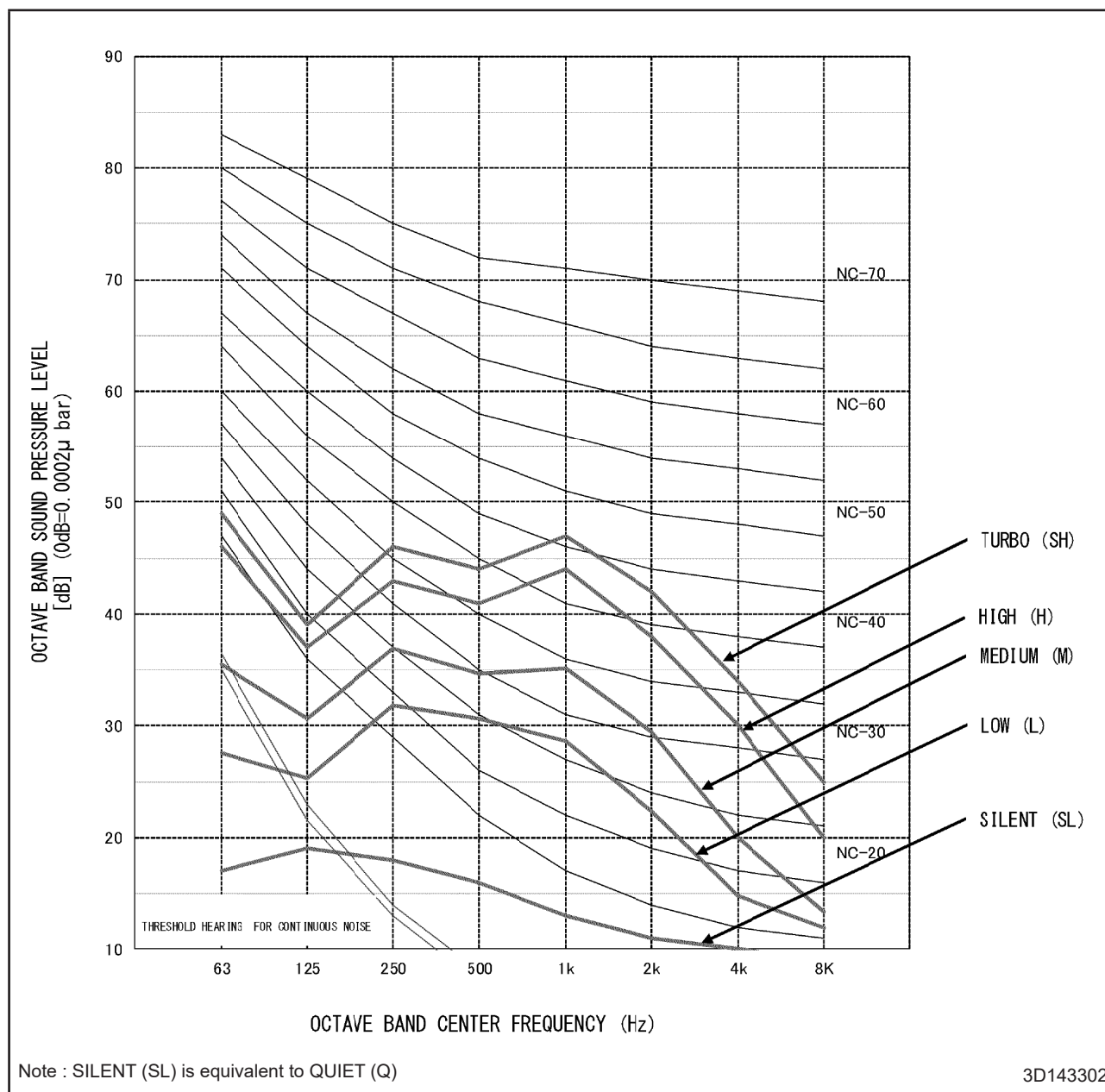
### NC Curve



### Sound Pressure Level

Model	Speed	1/1 Octave A-weighted Sound Pressure Level (dB, ref 20μPa)								Overall (dBA)	Noise Criteria
		63Hz	125Hz	250Hz	500Hz	1kHz	2kHz	4kHz	8kHz		
FTK12B	High	46	37	43	41	44	38	30	20	46	34
	Med	36	31	37	35	35	30	20	13	38	34
	Low	28	25	32	31	29	22	15	12	32	28
	Quiet	17	19	18	16	13	11	10	9	19	0

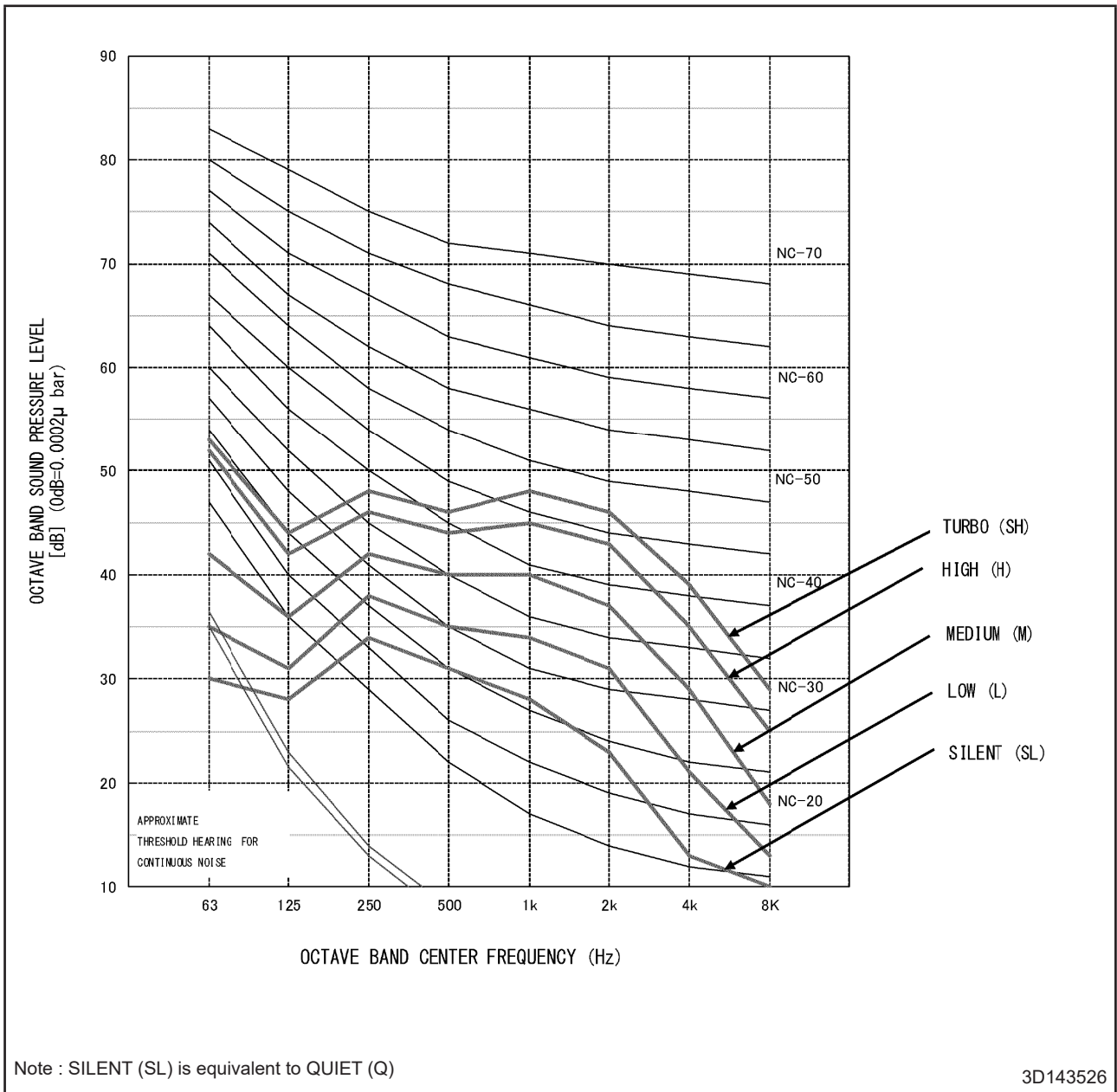
### NC Curve



### Sound Pressure Level

Model	Speed	1/1 Octave A-weighted Sound Pressure Level (dB, ref 20µPa)								Overall (dBA)	Noise Criteria
		63Hz	125Hz	250Hz	500Hz	1kHz	2kHz	4kHz	8kHz		
FTK18B	High	52	42	46	44	45	43	35	25	49	44
	Med	42	36	42	40	40	37	29	18	44	39
	Low	35	31	38	35	34	31	21	13	38	33
	Quiet	30	28	34	31	28	23	13	10	33	26

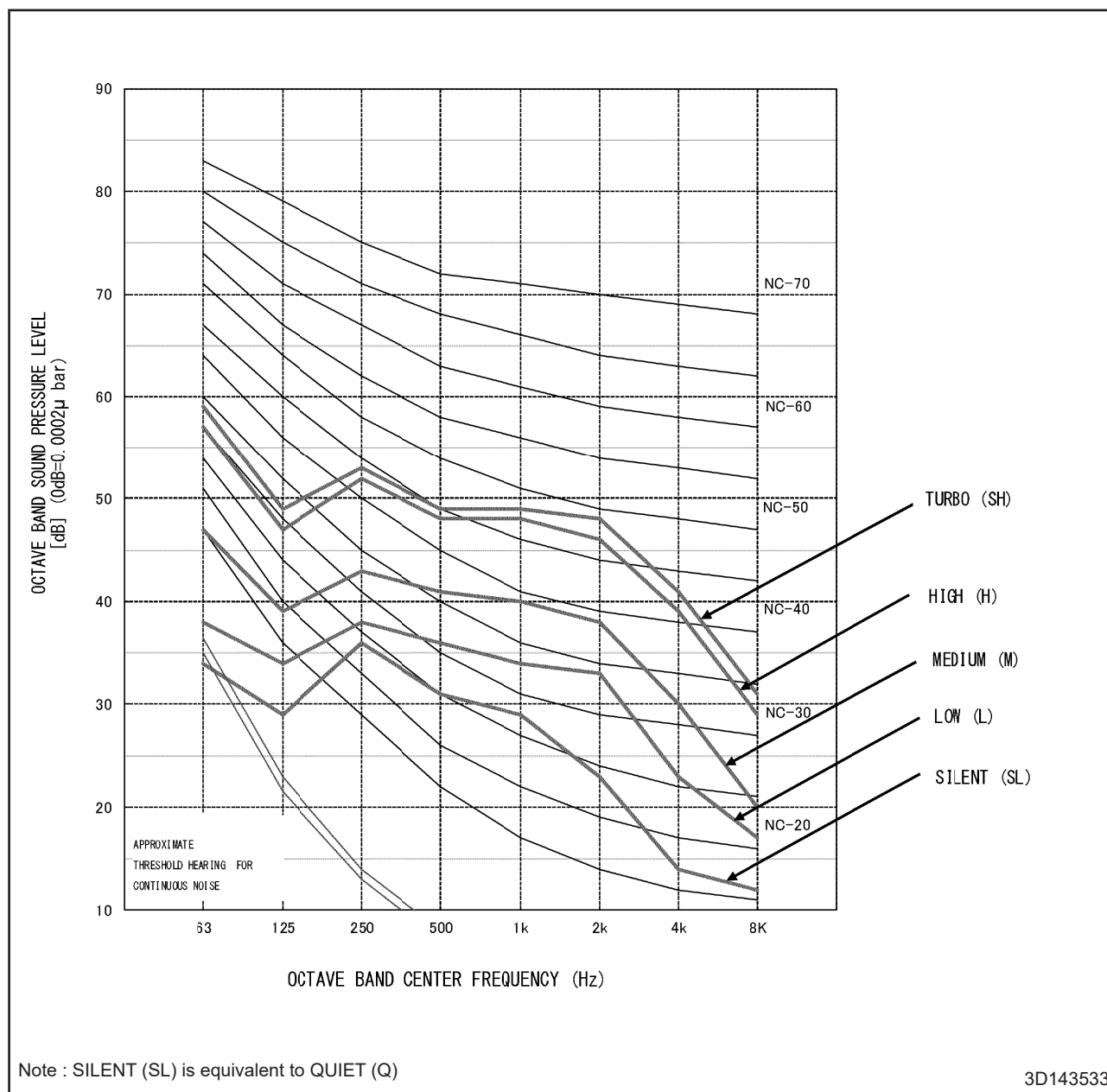
### NC Curve



### Sound Pressure Level

Model	Speed	1/1 Octave A-weighted Sound Pressure Level (dB, ref 20μPa)								Overall (dBA)	Noise Criteria
		63Hz	125Hz	250Hz	500Hz	1kHz	2kHz	4kHz	8kHz		
FTK24B	High	57	47	52	48	48	46	39	29	53	47
	Med	47	39	43	41	40	38	30	20	45	39
	Low	38	34	38	36	34	33	23	17	39	34
	Quiet	34	29	36	31	29	23	14	12	34	28

### NC Curve

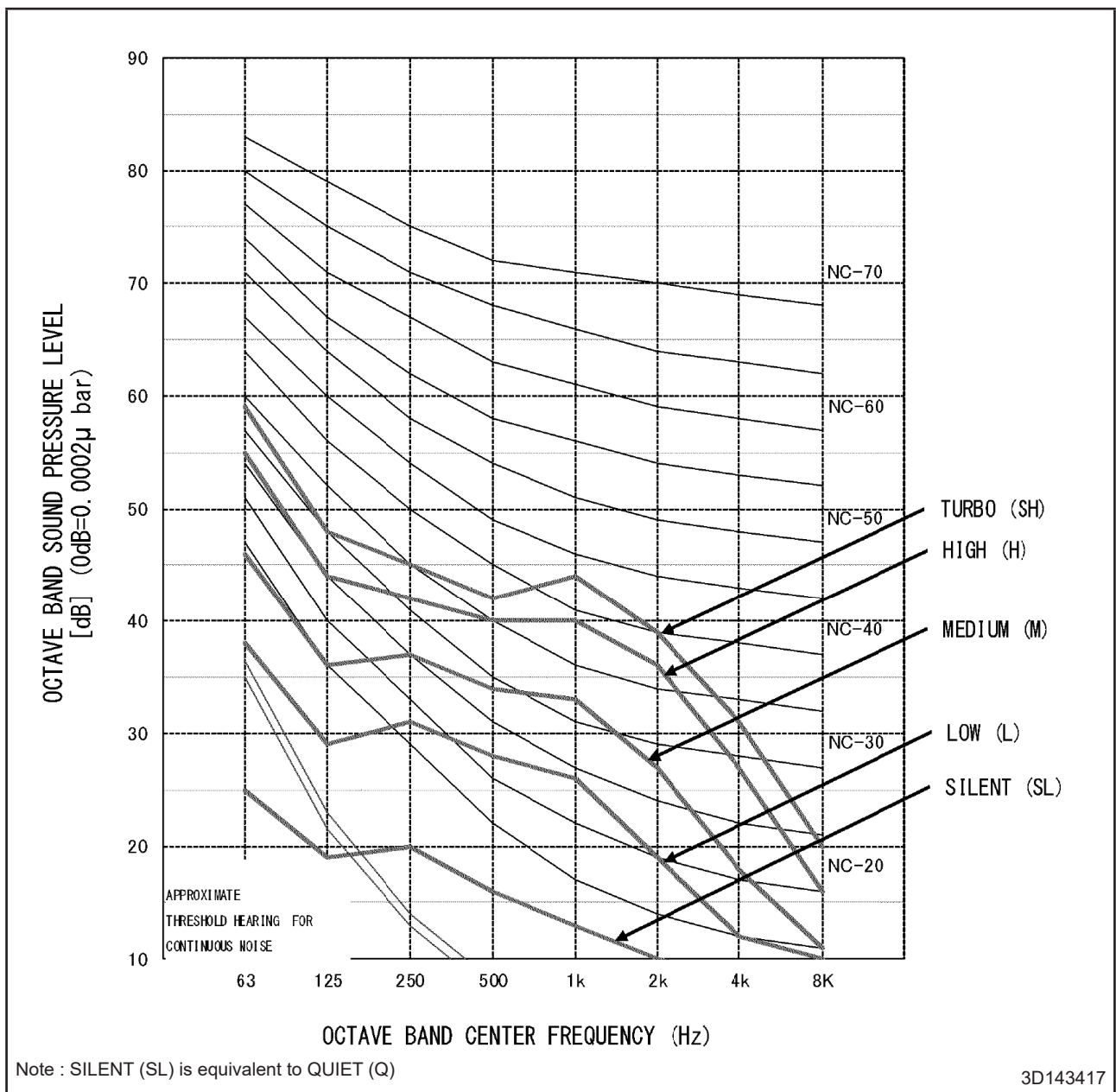


# Heatpump

## Sound Pressure Level

Model	Speed	1/1 Octave A-weighted Sound Pressure Level (dB, ref 20μPa)								Overall (dBA)	Noise Criteria
		63Hz	125Hz	250Hz	500Hz	1kHz	2kHz	4kHz	8kHz		
FTX09B (Cooling)	High	55	44	42	40	40	36	27	16	44	39
	Med	46	36	37	34	33	27	18	11	37	32
	Low	38	29	31	28	26	19	12	10	30	24
	Quiet	25	19	20	16	13	10	8	9	19	0

## NC Curve

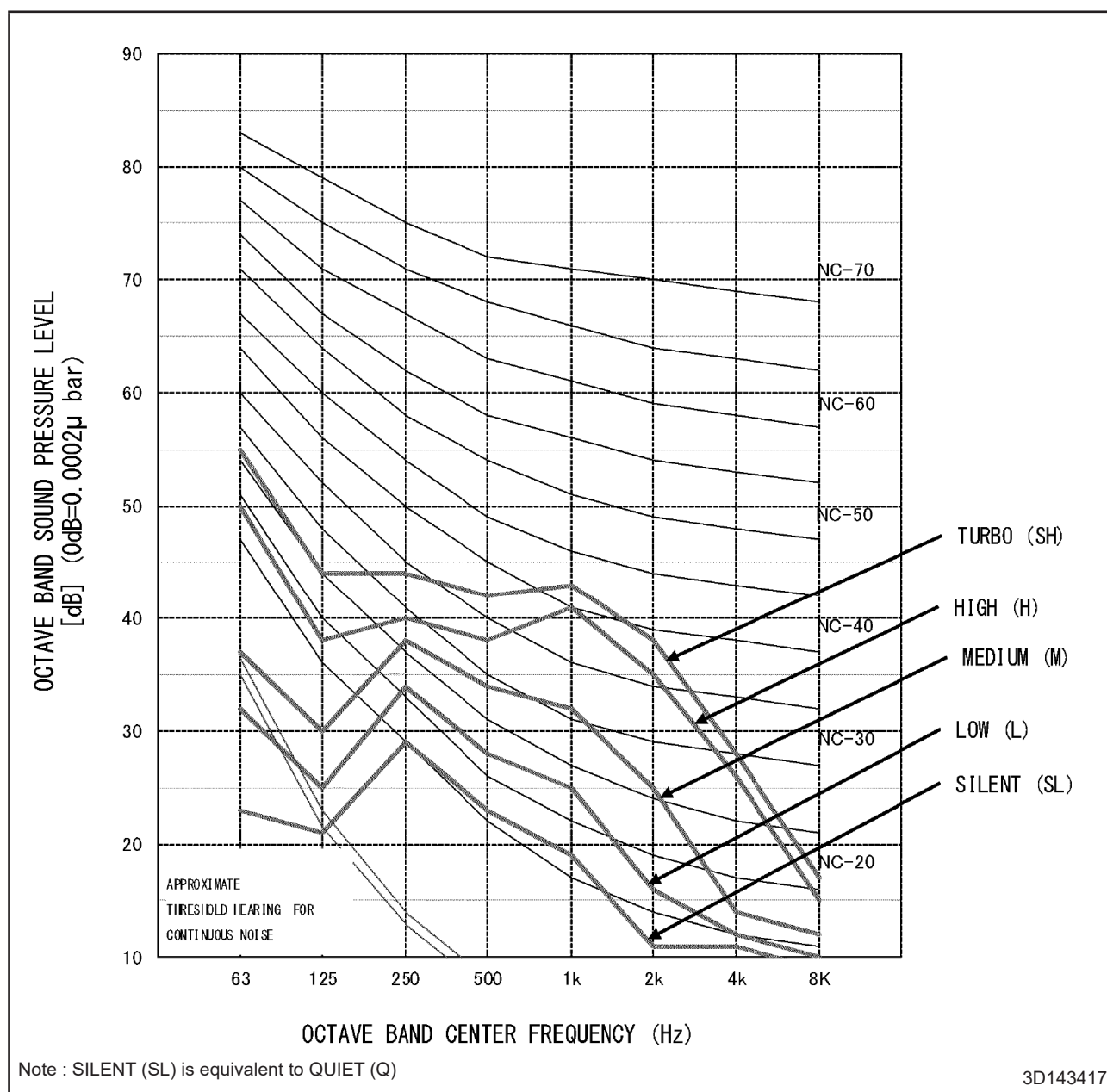




### Sound Pressure Level

Model	Speed	1/1 Octave A-weighted Sound Pressure Level (dB, ref 20μPa)								Overall (dBA)	Noise Criteria
		63Hz	125Hz	250Hz	500Hz	1kHz	2kHz	4kHz	8kHz		
FTX09B (Heating)	High	50	38	40	38	41	35	26	15	43	40
	Med	37	30	38	34	32	25	14	12	36	31
	Low	32	25	34	28	25	16	12	10	30	23
	Quiet	23	21	29	23	19	11	11	9	25	17

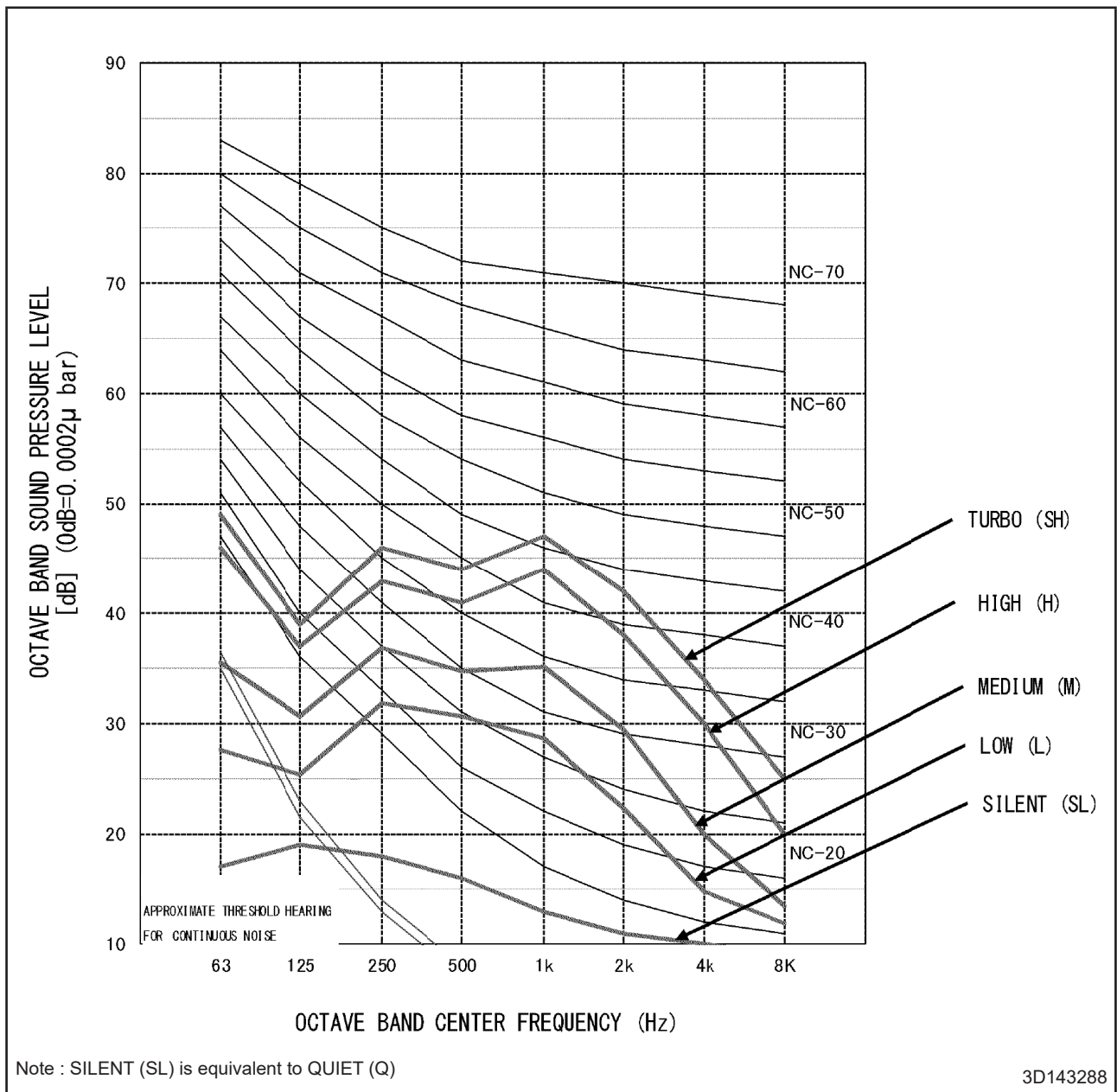
### NC Curve



### Sound Pressure Level

Model	Speed	1/1 Octave A-weighted Sound Pressure Level (dB, ref 20μPa)								Overall (dBA)	Noise Criteria
		63Hz	125Hz	250Hz	500Hz	1kHz	2kHz	4kHz	8kHz		
FTX12B (Cooling)	High	46	37	43	41	44	38	30	20	46	43
	Med	36	31	37	35	35	30	20	13	38	34
	Low	28	25	32	31	29	22	15	12	32	28
	Quiet	17	19	18	16	13	11	10	9	19	0

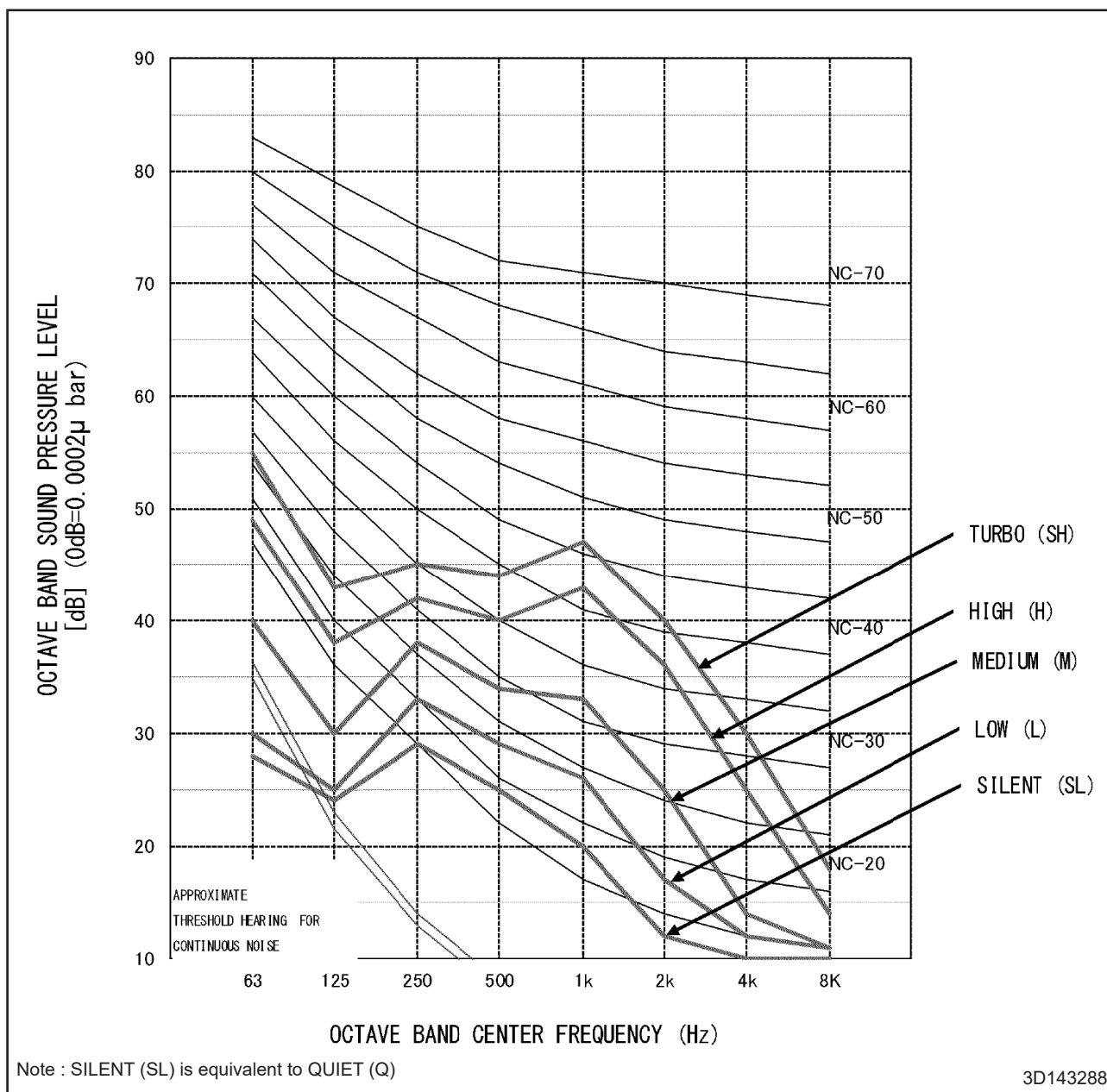
### NC Curve



### Sound Pressure Level

Model	Speed	1/1 Octave A-weighted Sound Pressure Level (dB, ref 20μPa)								Overall (dBA)	Noise Criteria
		63Hz	125Hz	250Hz	500Hz	1kHz	2kHz	4kHz	8kHz		
FTX12B (Heating)	High	49	38	42	40	43	36	25	14	45	42
	Med	40	30	38	34	33	25	14	11	37	32
	Low	30	25	33	29	26	17	12	11	31	24
	Quiet	28	24	29	25	20	12	10	10	26	19

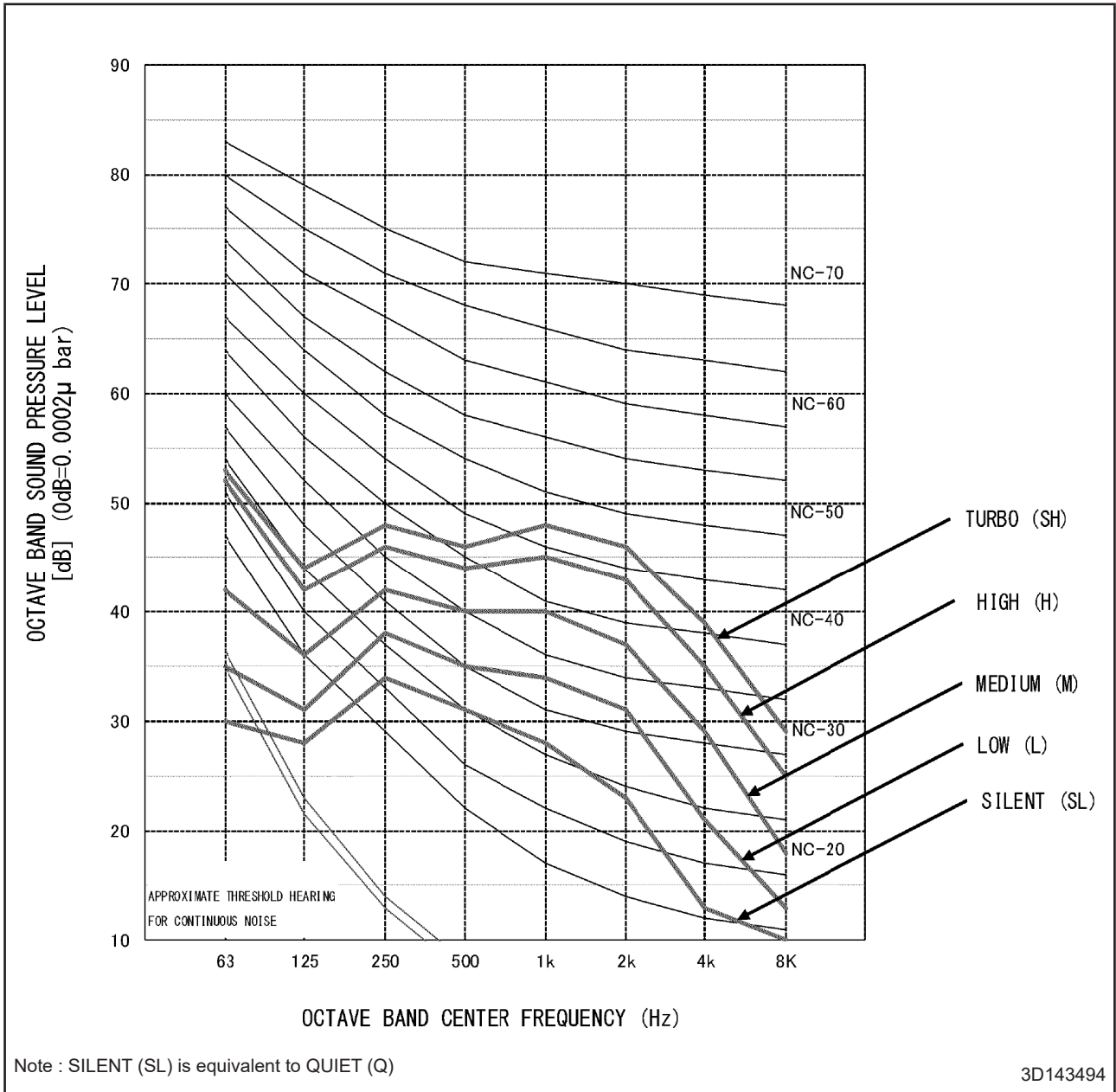
### NC Curve



**Sound Pressure Level**

Model	Speed	1/1 Octave A-weighted Sound Pressure Level (dB, ref 20μPa)								Overall (dBA)	Noise Criteria
		63Hz	125Hz	250Hz	500Hz	1kHz	2kHz	4kHz	8kHz		
FTX18B (Cooling)	High	52	42	46	44	45	43	35	25	49	44
	Med	42	36	42	40	40	37	29	18	44	39
	Low	35	31	38	35	34	31	21	13	38	33
	Quiet	30	28	34	31	28	23	13	10	33	26

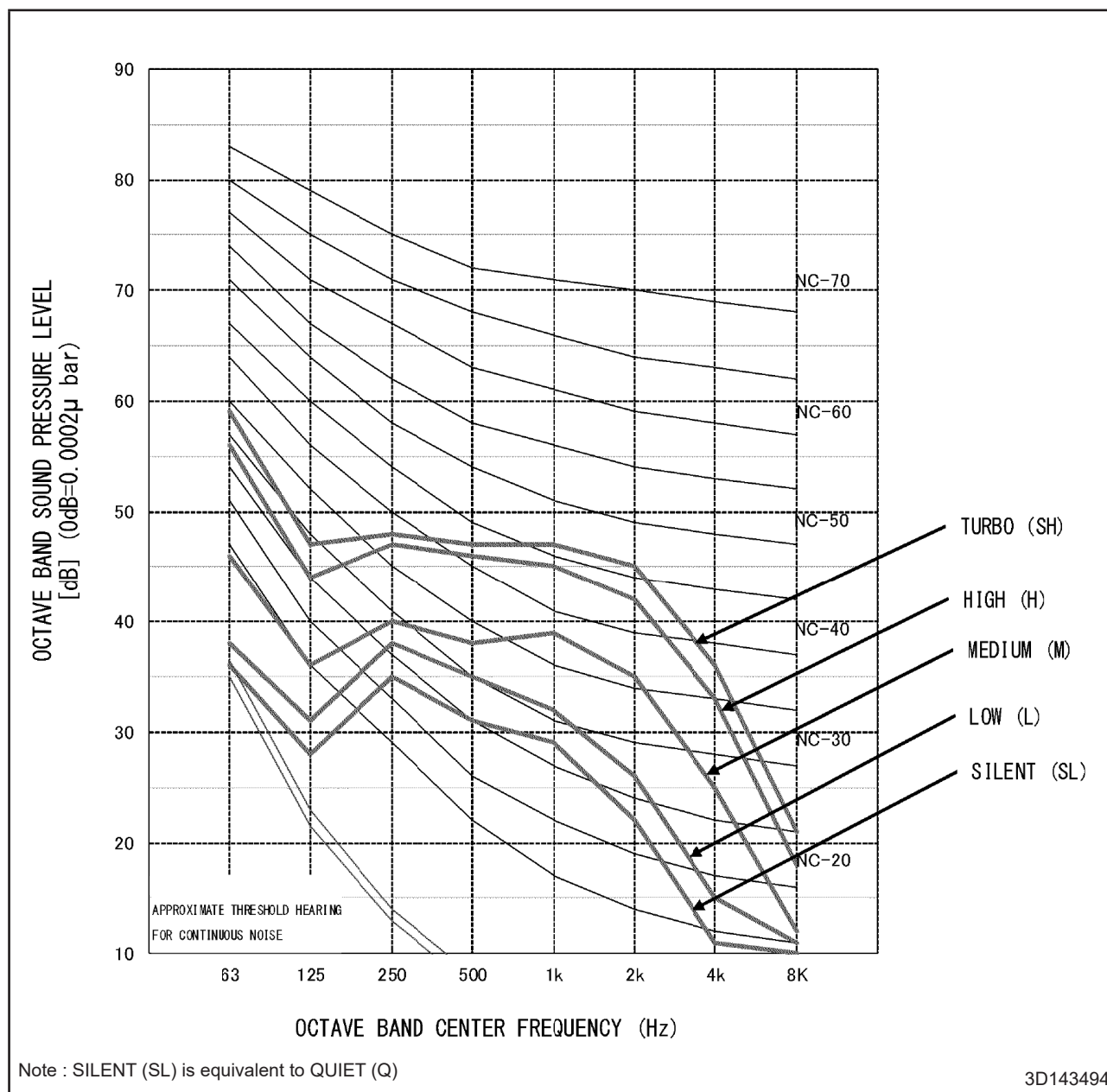
**NC Curve**



### Sound Pressure Level

Model	Speed	1/1 Octave A-weighted Sound Pressure Level (dB, ref 20μPa)								Overall (dBA)	Noise Criteria
		63Hz	125Hz	250Hz	500Hz	1kHz	2kHz	4kHz	8kHz		
FTX18B (Heating)	High	56	44	47	46	45	42	33	18	49	44
	Med	46	36	40	38	39	35	25	12	42	38
	Low	38	31	38	35	32	26	15	11	37	31
	Quiet	36	28	35	31	29	22	11	10	33	28

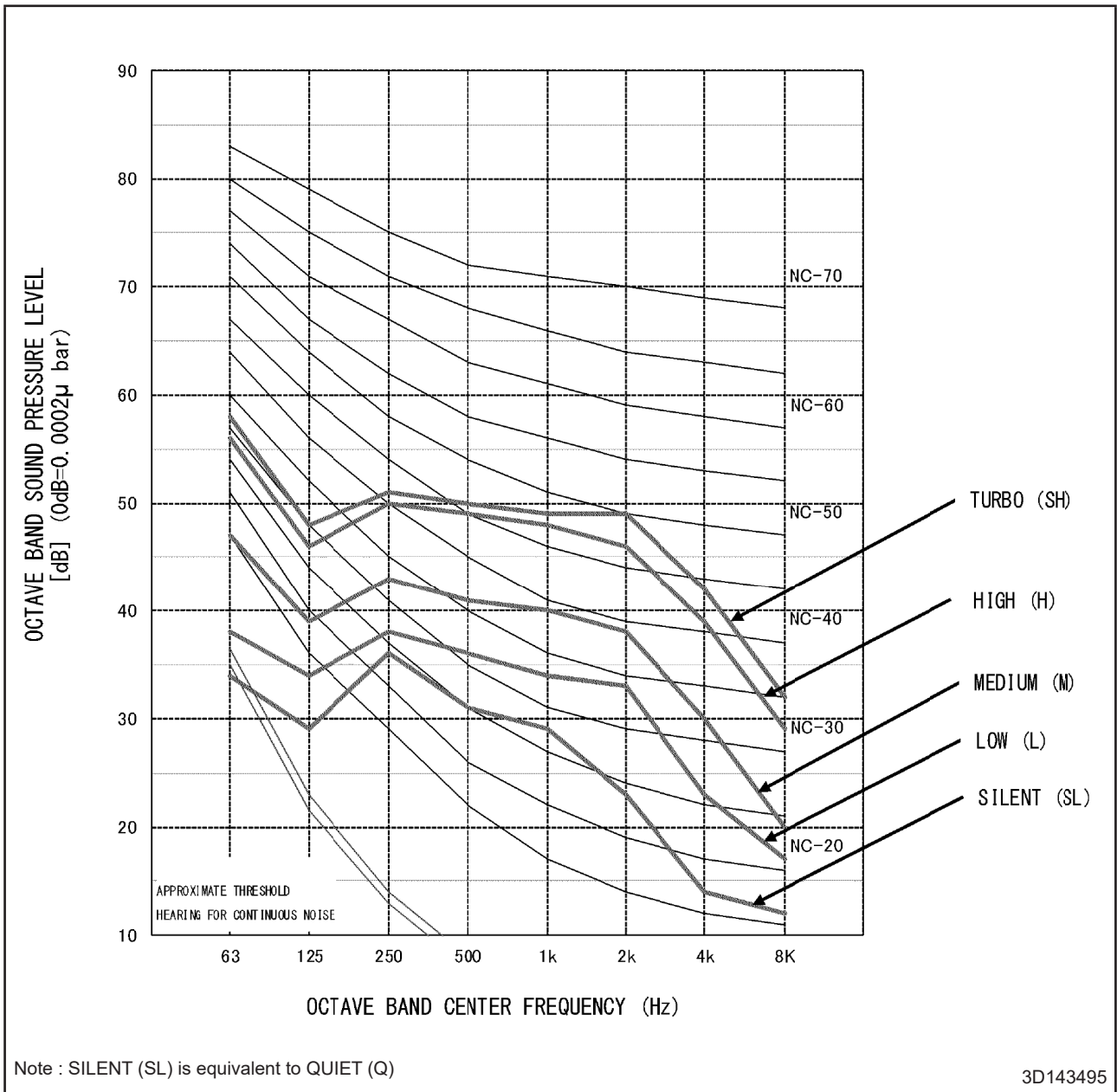
### NC Curve



### Sound Pressure Level

Model	Speed	1/1 Octave A-weighted Sound Pressure Level (dB, ref 20μPa)								Overall (dBA)	Noise Criteria
		63Hz	125Hz	250Hz	500Hz	1kHz	2kHz	4kHz	8kHz		
FTX24B (Cooling)	High	56	46	50	49	48	46	39	29	53	47
	Med	47	39	43	41	40	38	30	20	45	39
	Low	38	34	38	36	34	33	23	17	39	34
	Quiet	34	29	36	31	29	23	14	12	34	28

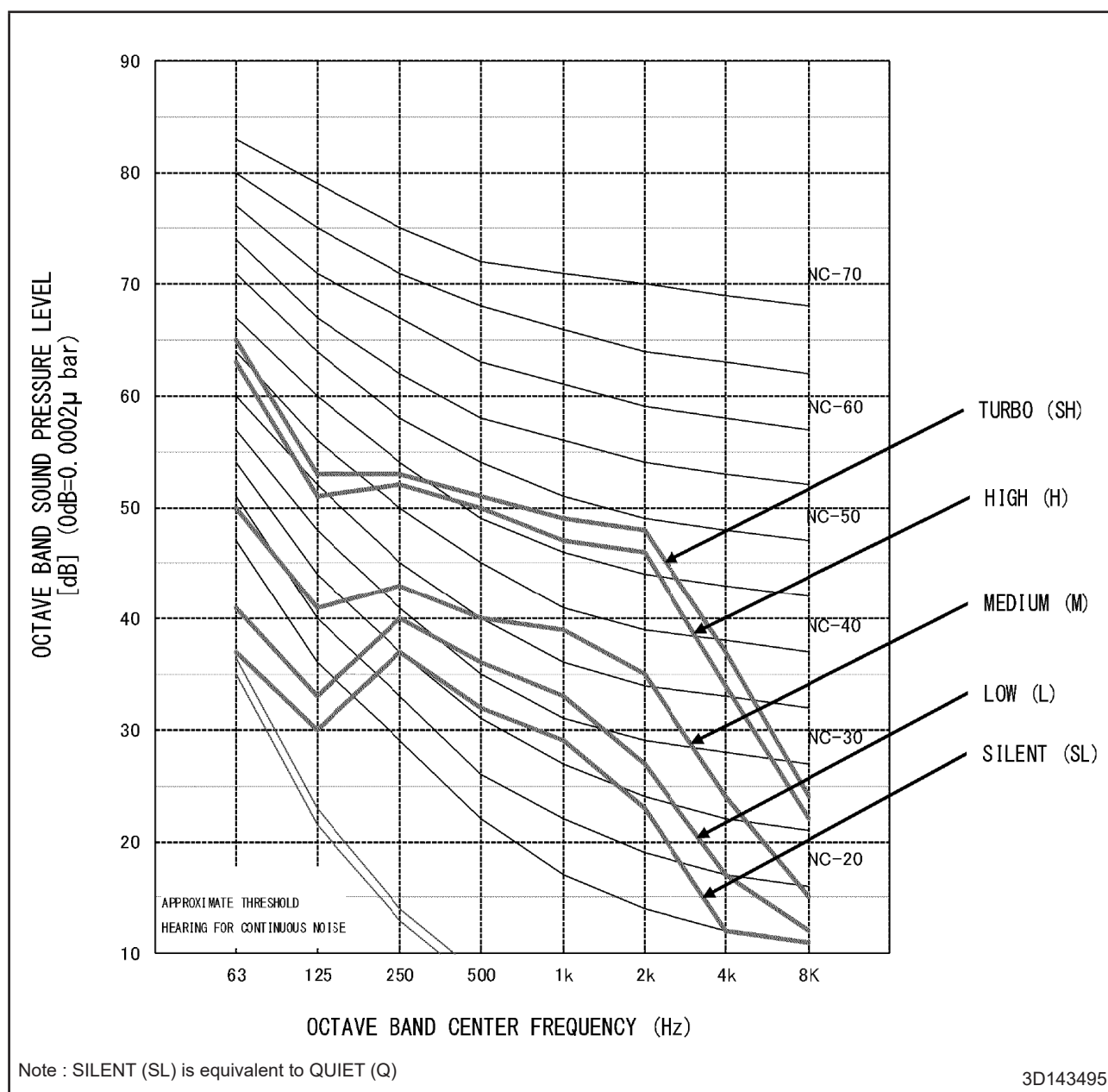
### NC Curve



### Sound Pressure Level

Model	Speed	1/1 Octave A-weighted Sound Pressure Level (dB, ref 20μPa)								Overall (dBA)	Noise Criteria
		63Hz	125Hz	250Hz	500Hz	1kHz	2kHz	4kHz	8kHz		
FTX24B (Heating)	High	63	51	52	50	47	46	34	22	53	47
	Med	50	41	43	40	39	35	24	15	43	38
	Low	41	33	40	36	33	27	17	15	38	32
	Quiet	37	30	37	32	29	23	12	11	34	28

### NC Curve



# Electric Characteristic

Unit Combination		Power Supply				COMP		OFM		IFM	
Indoor Unit	Outdoor Unit	Hz-Volts	Voltage Range	MCA	MOP	RHz	A	kW	MOC	kW	MOC
FTK09B	RK09B	60Hz-208V	MAX. 60Hz 253V MIN. 60Hz 187V	12.35	15	64	3.34	0.026	0.60	0.022	0.35
		60Hz-230V									
FTK12B	RK12B	60Hz-208V	MAX. 60Hz 253V MIN. 60Hz 187V	12.40	15	88	5.14	0.026	0.61	0.022	0.40
		60Hz-230V									
FTK18B	RK18B	60Hz-208V	MAX. 60Hz 253V MIN. 60Hz 187V	13.55	20	76	5.71	0.055	1.30	0.039	0.55
		60Hz-230V									
FTK24B	RK24B	60Hz-208V	MAX. 60Hz 253V MIN. 60Hz 187V	13.55	20	94	8.57	0.055	1.30	0.039	0.55
		60Hz-230V									
FTX09B	RX09B	60Hz-208V	MAX. 60Hz 253V MIN. 60Hz 187V	12.35	15	88	4.34	0.026	0.60	0.022	0.35
		60Hz-230V									
FTX12B	RX12B	60Hz-208V	MAX. 60Hz 253V MIN. 60Hz 187V	12.40	15	96	5.57	0.026	0.61	0.022	0.40
		60Hz-230V									
FTX18B	RX18B	60Hz-208V	MAX. 60Hz 253V MIN. 60Hz 187V	16.55	20	90	8.17	0.055	1.30	0.039	0.55
		60Hz-230V									
FTX24B	RX24B	60Hz-208V	MAX. 60Hz 253V MIN. 60Hz 187V	16.55	20	104	10.36	0.055	1.30	0.039	0.55
		60Hz-230V									

**Symbols:**

- MCA : Minimum Circuit Amps (A)
- MOP : Maximum Overcurrent Protection (A)
- COMP : Compressor
- RHz : Rated Operating Frequency (Hz)
- A : Compressor Input Current (A)
- OFM : Outdoor Fan Motor
- IFM : Indoor Fan Motor
- kW : Fan Motor Rated Output (kW)
- MOC : Maximum Operating Current (A)

**Notes:**

1. RHz is the max frequency that comes in cooling operation and heating operation.
2. RLA is the max current that comes in cooling operation and heating operation.
3. Maximum allowable voltage that is unbalance between phases is 2%.
4. Select wire size based on the larger value of MCA.
5. Use circuit breaker instead of fuse

3D142348



# Accessories List

	Optional Accessories	Model Number
<b>Indoor Unit</b>	Wired Controller	BRC51D61
	Daikin One+ Smart Thermostat	DTST-ONE-ADA-A
	DKN Residential Cloud Wi-Fi Adaptor	AZAI6WSCDKB
<b>Outdoor Unit</b>	Air Directional Change Grille (Class 09/12)	KPW937F4
	Air Directional Change Grille (Class 18/24)	KPW063B4E
	Drain Pan Heater (Class 09/12)	FTDBHMS, KEH067A41E
	Drain Pan Heater (Class 18/24)	KEH063A4EA
	Outdoor Unit Protection Net Grille (Class 09/12)	KKG067A41
	Outdoor Unit Protection Net Grille (Class 18/24)	-

