



Submittal Data Sheet
 2-Ton Multi-Split Outdoor Unit
 3MXL24WMVJU9

Model			3MXL24WMVJU9	
			Cooling	Heating
Power Supply	Phase	1φ		
	Hz, V	60 Hz, 208 - 230 V		
COP2	W/W	—	4.40 (Non-Ducted) 3.00 (Ducted)	
COP2@5°F (-15°C)	W/W	—	2.16 (Non-Ducted) 1.61 (Ducted)	
EER2	Btu/W·h	11.7 (Non-Ducted)	—	
SEER2 / HSPF2		18.0 (Non-Ducted) 14.9 (Ducted)	9.7 (Non-Ducted) 7.8 (Ducted)	
Casing Color			Ivory White	
Compressor	Type	Hermetically Sealed Swing Type		
	Model	2YC63AAXD		
	Motor Output	W	1,920	
Refrigerant Oil	Model	FVC50K		
	Charge	fl oz (L)	30.4 (0.9)	
Refrigerant	Type	R410A		
	Charge	lbs (kg)	6.17 (2.8)	
Airflow Rates	H	cfm	2,094	2,094
	M		2,094	1,979
	L		1,979	1,118
	H	m ³ /min	59.3	59.3
	M		59.3	56.0
	L		56.0	31.6
Fan	Type	Propeller		
	Motor Output	W	89	
	Running Current (H / M / L)	A	0.27 / 0.27 / 0.23	0.27 / 0.23 / 0.05
	Power Consumption (H / M / L)	W	55.8 / 55.8 / 48.0	55.8 / 48.0 / 11.1
Starting Current		A	17.5	

Daikin Comfort Technologies North America, Inc 19001 Kermier Rd Waller TX 77484
 Daikin City Generated Submittal Data www.daikincomfort.com or www.daikinac.com

(Daikin's products are subject to continuous improvements. Daikin reserves the right to modify product design, specifications, and information in this data sheet without notice and without incurring any obligations)



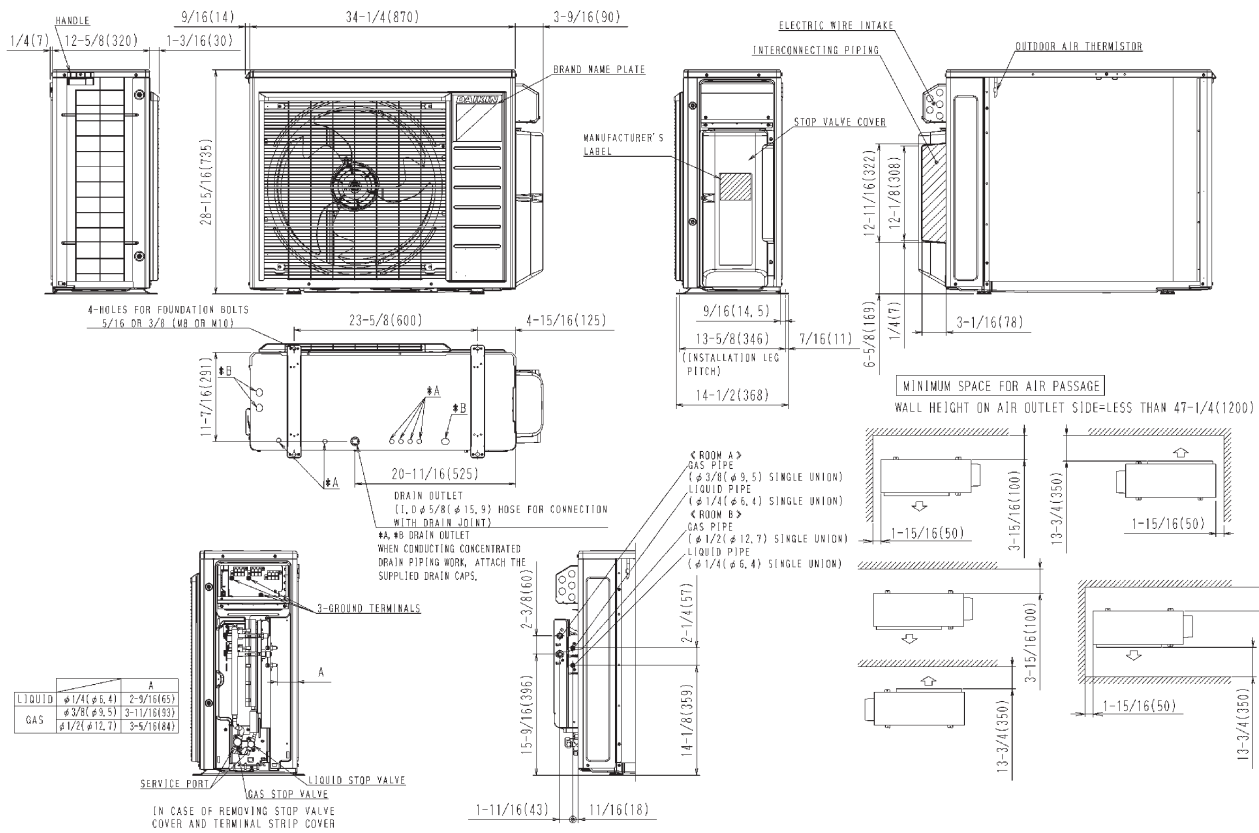
Submittal Data Sheet
 2-Ton Multi-Split Outdoor Unit
 3MXL24WMVJU9

Dimensions (H x W x D)		in. (mm)	28-15/16 x 34-1/4 x 12-5/8 (735 x 870 x 320)
Packaged Dimensions (H x W x D)		in. (mm)	31-7/8 x 41-3/8 x 17-1/2 (810 x 1,050 x 444)
Weight (Mass)		lbs (kg)	143 (65)
Gross Weight (Gross Mass)		lbs (kg)	153 (69)
Sound Pressure Level		dB(A)	52 54
Piping Connection	Liquid	in. (mm)	φ 1/4 x 3 (φ 6.4 x 3)
	Gas	in. (mm)	φ 3/8 x 1, φ 1/2 x 2 (φ 9.5 x 1, φ 12.7 x 2)
	Drain	in. (mm)	I.D. φ 5/8 (φ 15.9)
Heat Insulation		Both Liquid and Gas Pipes	
No. of Wiring Connections		3 for Power Supply, 4 for Interunit Wiring (Including Ground Wiring)	
Max. Interunit Piping Length	ft (m)	230 (70) (for Total of Each Room)	
	ft (m)	82 (25) (for One Room)	
Amount of Additional Charge	oz/ft (g/m)	0.21 (20) (131-1/4 ft (40 m) or more)	
Max. Installation Height Difference	ft (m)	49-1/4 (15) (Between Indoor Unit and Outdoor Unit)	
	ft (m)	24-5/8 (7.5) (Between Indoor Units)	
Conditions Based on		Indoor ; 80°FDB (26.7°CDB) / 67°FWB (19.4°CWB) Outdoor ; 95°FDB (35°CDB) / 75°FWB (24°CWB)	Indoor ; 70°FDB (21°CDB) / 60°FWB (15.6°CWB) Outdoor ; 47°FDB (8.3°CDB) / 43°FWB (6°CWB)
		Piping length: 25 ft (7.5 m)	

Daikin Comfort Technologies North America, Inc 19001 Kermier Rd Waller TX 77484
 Daikin City Generated Submittal Data www.daikincomfort.com or www.daikinac.com

(Daikin's products are subject to continuous improvements. Daikin reserves the right to modify product design, specifications, and information in this data sheet without notice and without incurring any obligations)

2MXS18WMVJU9, 2MXL18WMVJU9, 2MXLH18WVJU9



3MXS24WMVJU9, 3MXL24WMVJU9, 3MXLH24WVJU9

