



Submittal Data Sheet
 1.0-Ton Floor Mount Indoor Unit
 FVXS12WVJU9

Model		Indoor Unit		FVXS12WVJU9	
				Cooling	Heating
Power Supply				1 ϕ , 208 - 230 V, 60 Hz	
Capacity Rated (Min. - Max.)		Btu/h	10,200 (4,400 - 12,300)	13,000 (4,400 - 17,100)	
SEER2 / HSPF2			19.50	9.40	
EER2 (Rated)		Btu/h·W	11.00	—	
COP2 (Rated)		W/W	—	3.76	
Piping Connections	Liquid	in. (mm)	ϕ 1/4 (6.4)		
	Gas	in. (mm)	ϕ 3/8 (9.5)		
	Drain	in. (mm)	ϕ 13/16 (20)		
Heat Insulation				Both Liquid and Gas Pipes	
Max. Interunit Piping Length		ft (m)	65-5/8 (20)		
Max. Interunit Height Difference		ft (m)	49-1/4 (15)		
Chargeless		ft (m)	32-3/4 (10)		
Amount of Additional Charge of Refrigerant		oz/ft (g/m)	0.21 (20)		
Front Panel Color				White (B-272)	
Airflow Rate	H / M / L / SL	cfm	300 / 237 / 173 / 159	332 / 258 / 184 / 166	
		m3/min	8.5 / 6.7 / 4.9 / 4.5	9.4 / 7.3 / 5.2 / 4.7	
Fan	Type / Speed	Steps	Turbo Fan / 5 Steps, Quiet, Auto		
Air Direction Control				Right, Left, Horizontal, Downward	
Air Filter				Removable, Washable, Mildew Proof	
Running Current (Rated)		A	0.14 - 0.13	0.15 - 0.14	
Power Consumption (Rated)		W	15 - 15	17 - 17	
Power Factor (Rated)		%	51.5 - 50.2	54.5 - 52.8	
Temperature Control				Microcomputer Control	
Dimensions (H \times W \times D)		in. (mm)	23-5/8 \times 27-9/16 \times 8-1/4 (600 \times 700 \times 210)		
Packaged Dimensions (H \times W \times D)		in. (mm)	27-3/8 \times 30-15/16 \times 11 (696 \times 786 \times 280)		
Weight (Mass)		lbs (kg)	31 (14)		
Gross Weight (Gross Mass)		lbs (kg)	38 (17)		
Sound Pressure Level	H / M / L / SL	dB(A)	39 / 33 / 27 / 24	39 / 33 / 27 / 24	

	Option Name	Model Name
1	Wireless LAN connection adaptor	AZAI6WSCDKB
2	Wiring adaptor for timer clock / remote controller *1 (normal open pulse contact / normal open contact)	KRP413BB1S
3	Central remote controller *2	DCS302C71

Daikin Comfort Technologies North America, Inc 19001 Kermier Rd Waller TX 77484
 Daikin City Generated Submittal Data www.daikincomfort.com or www.daikinac.com

(Daikin's products are subject to continuous improvements. Daikin reserves the right to modify product design, specifications, and information in this data sheet without notice and without incurring any obligations)



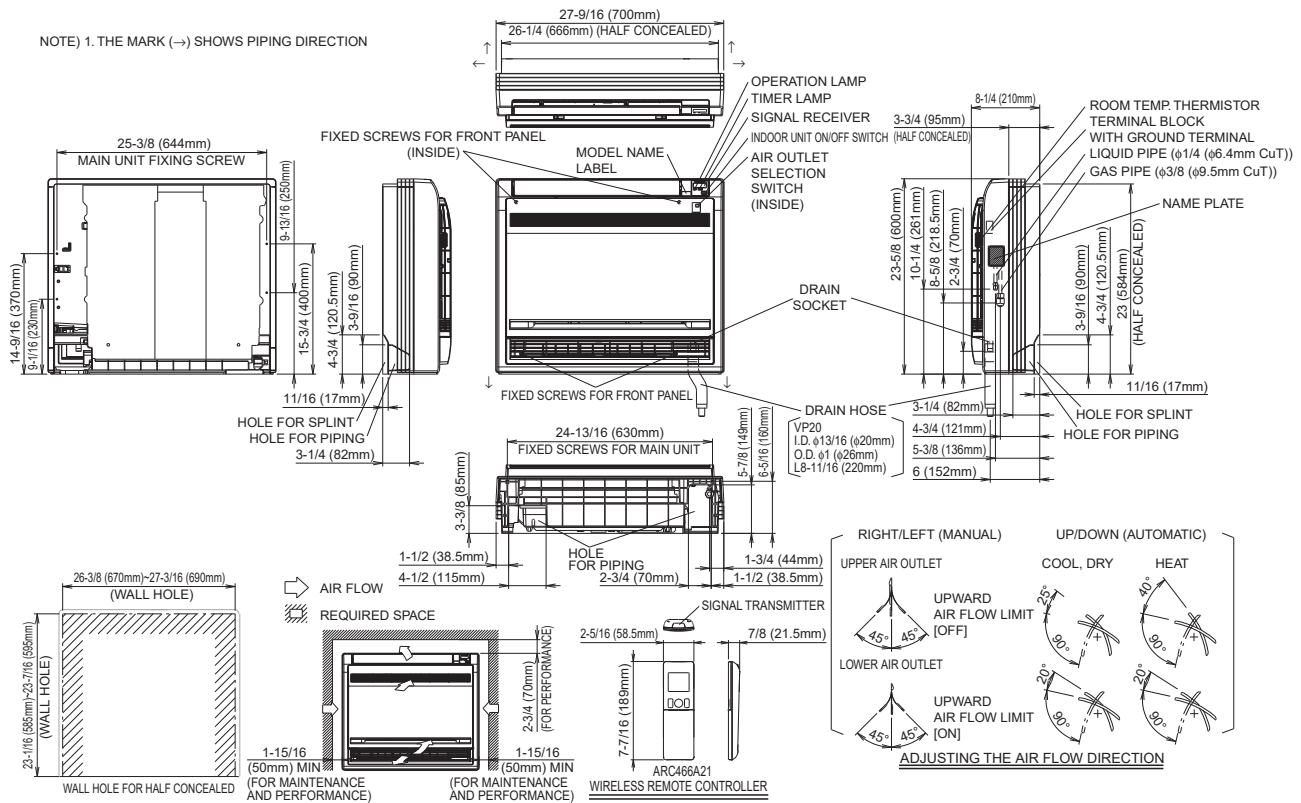
Submittal Data Sheet
1.0-Ton Floor Mount Indoor Unit
FVXS12WVJU9

4	Unified ON/OFF controller *2	DCS301C71
5	Schedule timer controller *2	DST301BA61
6	Interface adaptor for DIII-NET (residential air conditioner)	KRP928BB2S
7	Titanium apatite deodorizing filter (without frame)	KAF968A42 or KAF968B42
8	Remote controller loss prevention with chain	KKF910A4

Notes: *1 Timer clock and other device; obtained locally.

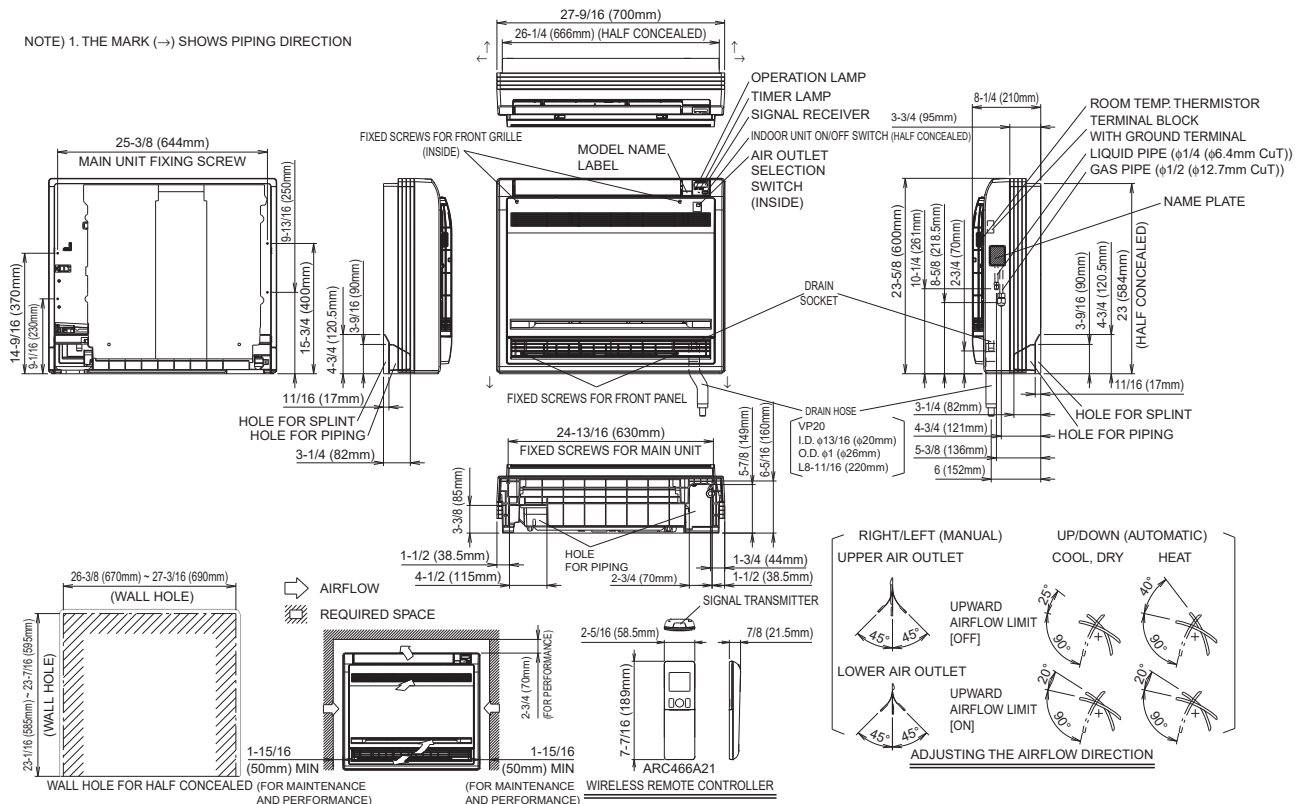
*2 An interface adaptor (KRP928BB2S) is also required for each indoor unit.

FVXS09/12WVJU9



3D091758A

FVXS15WVJU9



3D091774B

11. Electric Characteristics

Indoor Unit	Outdoor Unit	Power Supply				Compressor	OFM			IFM		
		Hz - Volts	Voltage Range	MCA	MFA		RLA	Hp	W	FLA	Hp	W
FTX09WMVJU9	RXL09WMVJU9	60 Hz - 208 V 60 Hz - 230 V	Max. 60 Hz, 253 V Min. 60 Hz, 187 V	8.7	15	8.5	0.03	23	0.19	0.03	21	0.20
FTX12WMVJU9	RXL12WMVJU9	60 Hz - 208 V 60 Hz - 230 V	Max. 60 Hz, 253 V Min. 60 Hz, 187 V	12.2	15	12.0	0.04	27	0.21	0.04	28	0.23
FTX15WMVJU9	RXL15WMVJU9	60 Hz - 208 V 60 Hz - 230 V	Max. 60 Hz, 253 V Min. 60 Hz, 187 V	12.2	15	12.0	0.12	93	0.58	0.05	33	0.23
FTX18WVJU9	RXL18WMVJU9	60 Hz - 208 V 60 Hz - 230 V	Max. 60 Hz, 253 V Min. 60 Hz, 187 V	18.6	20	18.3	0.16	122	0.77	0.07	48	0.37
FTX24WVJU9	RXL24WMVJU9	60 Hz - 208 V 60 Hz - 230 V	Max. 60 Hz, 253 V Min. 60 Hz, 187 V	18.8	20	18.3	0.16	122	0.77	0.07	48	0.57
FVXS09WVJU9	RXL09WMVJU9	60 Hz - 208 V 60 Hz - 230 V	Max. 60 Hz, 253 V Min. 60 Hz, 187 V	8.7	15	8.5	0.03	23	0.19	0.02	12	0.21
FVXS12WVJU9	RXL12WMVJU9	60 Hz - 208 V 60 Hz - 230 V	Max. 60 Hz, 253 V Min. 60 Hz, 187 V	12.2	15	12.0	0.04	27	0.21	0.02	13	0.22
FVXS15WVJU9	RXL15WMVJU9	60 Hz - 208 V 60 Hz - 230 V	Max. 60 Hz, 253 V Min. 60 Hz, 187 V	12.3	15	12.0	0.12	93	0.58	0.03	23	0.29
FDMQ12WVJU9	RXL12WMVJU9	60 Hz - 208 V 60 Hz - 230 V	Max. 60 Hz, 253 V Min. 60 Hz, 187 V	12.6	15	12.0	0.04	27	0.21	0.17	130	0.63
FDMQ18WVJU9	RXL18WMVJU9	60 Hz - 208 V 60 Hz - 230 V	Max. 60 Hz, 253 V Min. 60 Hz, 187 V	19.1	20	18.3	0.16	122	0.77	0.31	230	0.84
FDMQ24WVJU9	RXL24WMVJU9	60 Hz - 208 V 60 Hz - 230 V	Max. 60 Hz, 253 V Min. 60 Hz, 187 V	19.3	20	18.3	0.16	122	0.77	0.31	230	1.10

Symbols:

- MCA : Min. circuit amps (A)
- MFA : Max. fuse amps (A)
- RLA : Rated load amps (A)
- OFM : Outdoor fan motor
- IFM : Indoor fan motor
- FLA : Full load amps (A)
- W / Hp : Fan motor rated output (W, Hp)

Notes:

1. RLA is the max current that comes in cooling operation and heating operation.
2. Maximum allowable voltage variation between phases is 2%.
3. Select wire size based on the larger value of MCA.

C: 3D143137
 C: 3D143133A