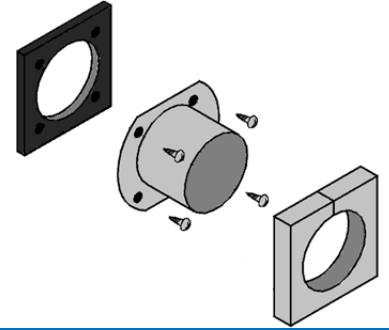




Submittal Data Sheet

Fresh Air Intake (Duct Flange)
KDDQ44XA60



DESCRIPTION

The Fresh Air Intake is a duct flange kit that attaches externally to the body of the ceiling mounted cassette type and allows for Fresh Air to be integrated into the indoor unit.

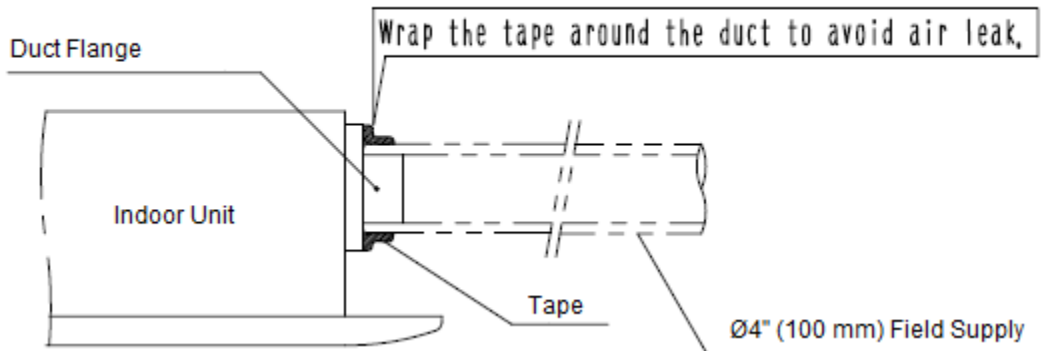
SPECIFICATIONS

Model No.:	KDDQ44XA60
Components Included:	Duct flange, screws, insulation, insulation cover and installation manual
Unit Compatibility:	FXZQ07MVJU9, FXZQ09MVJU9, FXZQ12MVJU9, FXZQ15MVJU9, FXZQ18MVJU9 FFQ09LVJU, FFQ12LVJU, FFQ15LVJU, FFQ18LVJU FFQ09Q2VJU, FFQ12Q2VJU, FFQ15Q2VJU
Unit Weight:	Total shipping weight: 0.6 lbs (0.3 kgs)
Dimensions (W x H x D):	Total shipping dimensions: 5.8" x 5.8" x 3.8" (147mm x 147mm x 96.5 mm)
Material / Finish:	Metal duct pipe and plate / foam insulation
Power Supply:	N/A

Notes:

- 1) When installing this kit, duct (nominal diameter: 4" (100mm)) is required (field supplied).
- 2) In case that metal duct is penetrated through walls, make sure that the duct and the wall is electrically insulated.
- 3) Install the duct on an inclined slope to the outdoor so that rain may not get into the duct (Inclination 1/100 to 1/50).
- 4) To avoid birds, small animals or insects getting inside the duct, make sure to install net where it contacts the outside air.

TYPICAL INSTALLATION



Daikin North America LLC, 5151 San Felipe, Suite 500, Houston TX, 77056
www.daikinac.com www.daikincomfort.com

(Daikin's products are subject to continuous improvements. Daikin reserves the right to modify product design, specifications and information in this data sheet without notice and without incurring any obligations).