
PTC123 - 124K Package Terminal Air Conditioner

PTC123K00AXXXAA
PTC123K00HVXXAA
PTC123K00HXXXAA
PTC123K25AXXXAA
PTC123K35AXXXAA
PTC123K35VXXXAA
PTC123K50AXXXAA
PTC123K50VXXXAA
PTC124K00HXXXAA
PTC124K25AXXXAA
PTC124K25VXXXAA
PTC124K35AXXXAA
PTC124K35VXXXAA
PTC124K50AXXXAA



Amana® is a registered trademark of Maytag Corporation or its related companies and is used under license. All rights reserved.

This manual is to be used by qualified technicians only.

Important Information

Index

Functional Parts List	3
Illustration and Parts	4 - 13

Views shown are for parts illustrations only, not servicing procedures.

Text Codes:

AR - As Required

NA - Not Available

NS - Not Shown

00000000 - See Note

QTY - Quantity Example (QTY 3) (If Quantity not shown, Quantity = 1)

M - Model Example (M1) (If M Code not shown, then part is used on all Models)

Expanded Model Nomenclature:

Example M1 - Model#1 M2 - Model#2 M3 - Model#3

Goodman Company, L.P. is not responsible for personal injury or property damage resulting from improper service. Review all service information before beginning repairs.

Warranty service must be performed by an authorized technician, using authorized factory parts. If service is required after the warranty expires, Goodman Company, L.P. also recommends contacting an authorized technician and using authorized factory parts.

Goodman Company, L.P. reserves the right to discontinue, or change at any time, specifications or designs without notice or without incurring obligations.

For assistance within the U.S.A. contact:

Homeowner Support
Goodman Company, L.P.
19001 Kermier Road
Waller, Texas 77484
877-254-4729-Telephone
713-863-2382-Facsimile

For assistance outside the U.S.A. contact:

International Division
Goodman Company, L.P.
19001 Kermier Road
Waller, Texas 77484
713-861-2500-Telephone
713-863-2382-Facsimile

Functional Parts

Part No: **Description:**

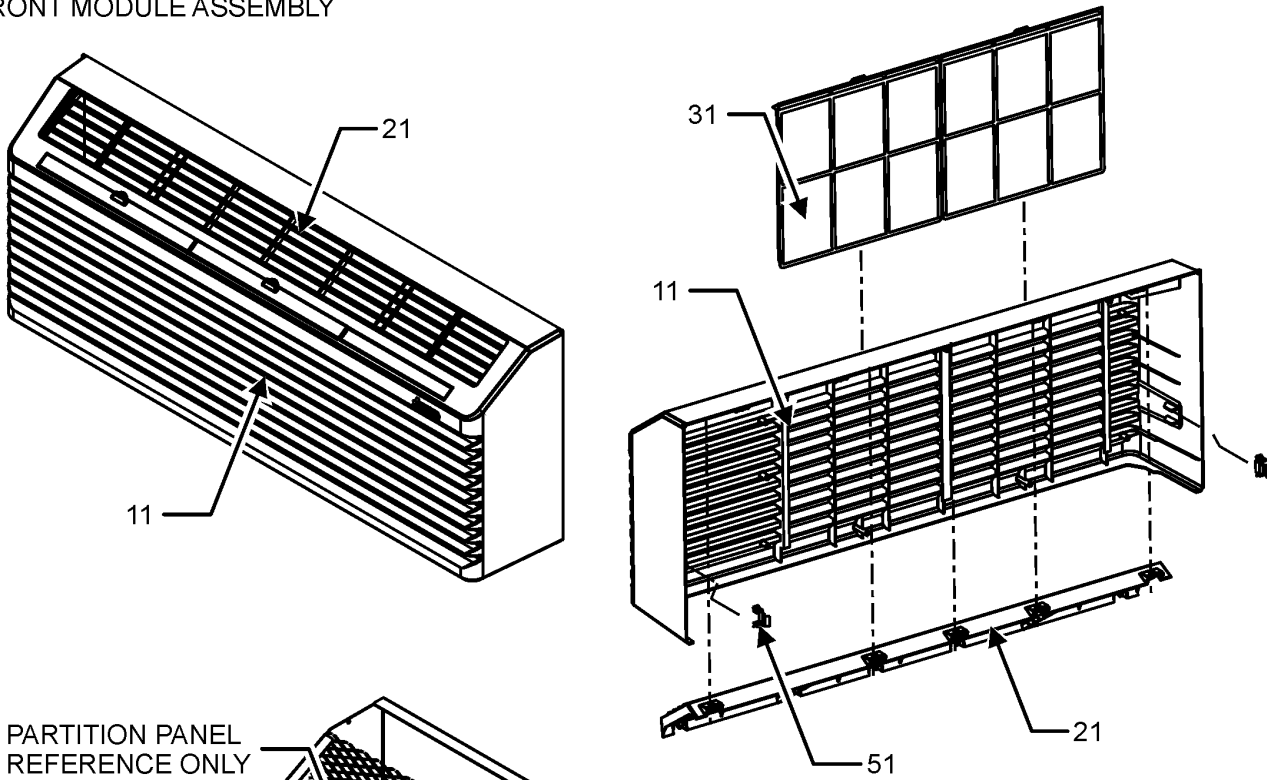
CAP020300450CS	CAP, 2/30 MFD/450V/DUAL RD (M9, M10, M11, M12, M13, M14)
CAP015000500RP	CAPACITOR (M14)
CAP010000500RP	CAPACITOR (M10, M11, M12, M13)
CAP020000440RP	CAPACITOR (M1, M4, M5, M6, M7, M8)
CAP030300450CS	CAPACITOR, 500V (M1, M2, M3, M4, M5, M6, M7, M8)
44A287AK&JEKD	COMPRESSOR, RECHI (M9, M10, M11, M12, M13, M14)
44A272GK&FEKC	Compressor-R410-A (M1, M2, M3, M4, M5, M6, M7, M8)
0130P00177	CORD, 250 VAC, 20A (LCDI (M5, M6)
0130P00184	CORD, 250VAC, 15A, (LCDI (M1, M2, M3, M4)
0130P00178	CORD, 277V, 20A (M9, M10, M11, M12, M13)
0130P00186	CORD, 277V, 30A (M14)
0130P00185	CORD,250VAC,30A (LCDI) (M7, M8)
0161P00140	COVER WIRE
0161P00055	FAN CONDENSER
3P263839-1	FERRITE CORE
A3410402	FUSE-15A - BLUE (M9, M10, M11)
A3410403	FUSE-20A - ORANGE (M12, M13)
A3410404	FUSE-25A - GREEN (M14)
0275P00087	Heater 230 v-3.5 KW (M5, M6)
0275P00089	Heater 230 v-5 KW (M7, M8)
0275P00088	Heater 265 v-3.5 KW (M12, M13)
0275P00090	Heater 265 v-5 KW (M14)
0275P00019	HEATER ASSY (M4)
0275P00023	HEATER ASSY (M10, M11)
0130P00187	HUMIDITY SENSOR (M2, M6, M8, M11, M13)
0131P00062	INDOOR MOTOR DC (M2, M3, M9)
0131P00060	INDOOR MOTOR-PSC (M1, M4, M5, M6)
0131P00061	INDOOR MOTOR-PSC (M7, M8)
0131P00070	INDOOR MOTOR-PSC (M10, M11, M12, M13)
0131P00071	INDOOR MOTOR-PSC (M14)
PCBCP160	M90 Board Tier 1 (M1, M4, M5, M6, M7, M8, M10, M11, M12, M13, M14)
PCBCP170	M90 Board Tier 2 (M2, M3, M9)
0130P00137	MOTOR (M2, M6, M8, M11, M13)
0131P00085	OUTDOOR MOTOR, DC (M9)
0131P00066	OUTDOOR MOTOR-PSC (M1, M2, M3, M4, M5, M6, M7, M8)
0131P00067	OUTDOOR MOTOR-PSC (M10, M11, M12, M13, M14)
60349604A	OVERLOAD PROTECTOR-RED DOT (M9, M10, M11, M12, M13, M14)
0130M00735	SWITCH HIGH PRESSURE
0130P00167	THERMISTOR INDOOR
0130P00188	THERMISTOR OUT 5MM
0130M00726	Transformer 20VA 240/208V (M1, M2, M3, M4, M5, M6, M7, M8)
0130M00728	TRANSFORMER 20VA 277V (M9, M10, M11, M12, M13, M14)
0130M00727	Transformer 40VA 240/208V (M2, M3, M6, M8)
0130M00729	TRANSFORMER 40VA 277V (M9, M11, M13)

Expanded Model Nomenclature

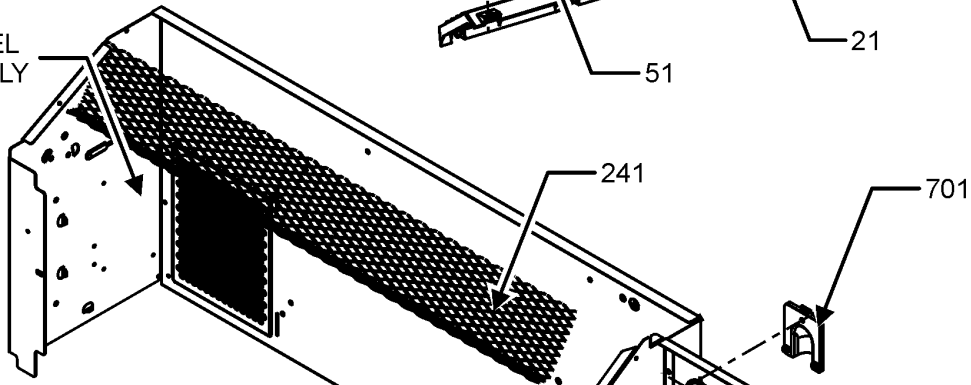
M1 - PTC123K00AXXXAA
M2 - PTC123K00HVXXAA
M3 - PTC123K00HXXXAA
M4 - PTC123K25AXXXAA
M5 - PTC123K35AXXXAA
M6 - PTC123K35VXXXAA
M7 - PTC123K50AXXXAA
M8 - PTC123K50VXXXAA
M9 - PTC124K00HXXXAA
M10 - PTC124K25AXXXAA
M11 - PTC124K25VXXXAA
M12 - PTC124K35AXXXAA
M13 - PTC124K35VXXXAA
M14 - PTC124K50AXXXAA

FRONT MODULE AND CONTROL PANEL ASSEMBLY

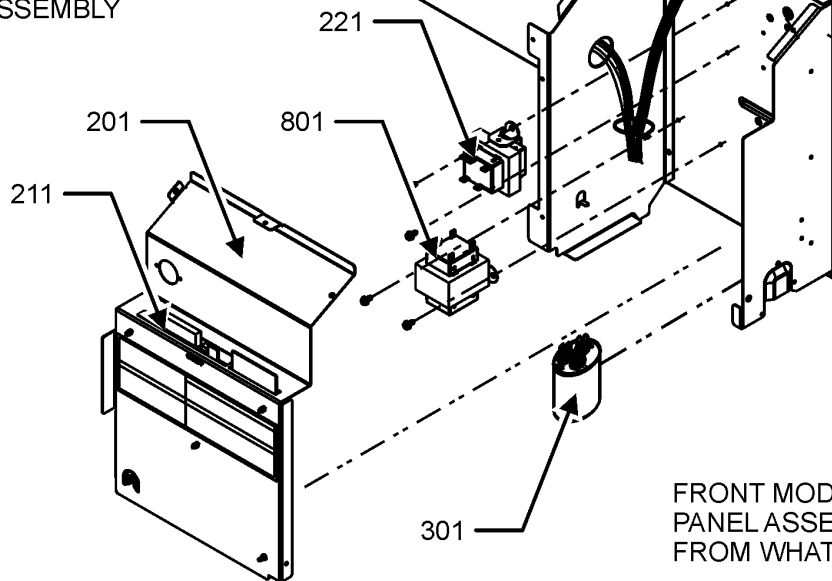
FRONT MODULE ASSEMBLY



PARTITION PANEL
REFERENCE ONLY



CONTROL PANEL ASSEMBLY



FRONT MODULE AND CONTROL
PANEL ASSEMBLY MAY DIFFER
FROM WHAT IS SHOWN

FRONT MODULE AND CONTROL PANEL ASSEMBLY

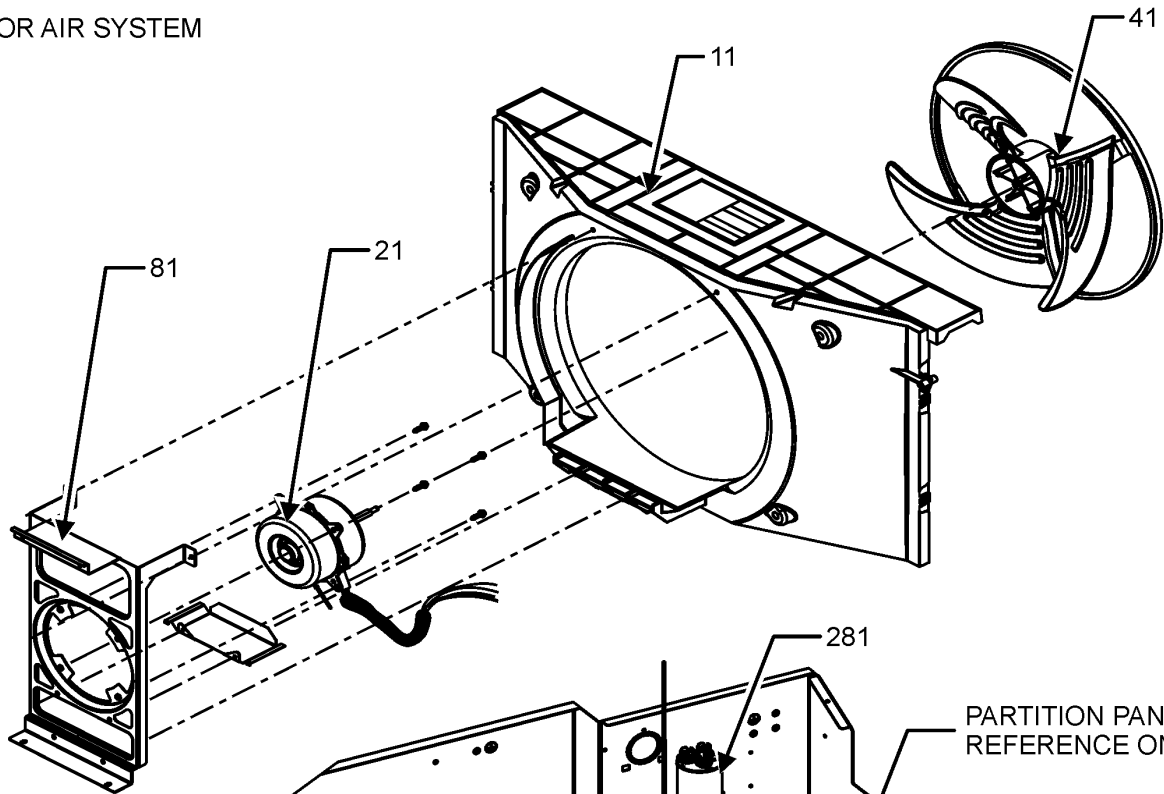
Ref. Part No:	Ref. Part No:	Description:	Description:
Image 1:			
11	0261P00033	FRONT ASSY (M1, M4, M5, M6, M7, M8, M10, M11, M12, M13, M14)	
21	0161P00132	LOUVERED FRONT DISCHARGE (M1, M4, M5, M6, M7, M8, M10, M11, M12, M13, M14)	
31	0161P00148	FILTER RACK (M1, M4, M5, M6, M7, M8, M10, M11, M12, M13, M14)	
51	0163P00025	CLIP (M1, M4, M5, M6, M7, M8, M10, M11, M12, M13, M14)	
201	0121P00431	CONTROL BOX PANEL	
211	PCBCP160	M90 Board Tier 1 (M1, M4, M5, M6, M7, M8, M10, M11, M12, M13, M14)	
211	PCBCP170	M90 Board Tier 2 (M2, M3, M9)	
221	0130M00726	Transformer 20VA 240/208V (M1, M2, M3, M4, M5, M6, M7, M8)	
221	0130M00728	TRANSFORMER 20VA 277V (M9, M10, M11, M12, M13, M14)	
241	0121P00194BL	SCREEN DISCHARGE PAINTED (M1, M4, M5, M6, M7, M8, M10, M11, M12, M13, M14)	
301	CAP020300450CS	CAP, 2/30 MFD/450V/DUAL RD (M9, M10, M11, M12, M13, M14)	
301	CAP030300450CS	CAPACITOR, 500V (M1, M2, M3, M4, M5, M6, M7, M8)	
701	0161P00140	COVER WIRE	
721	3P263839-1	FERRITE CORE	
801	0130M00727	Transformer 40VA 240/208V (M2, M3, M6, M8)	
801	0130M00729	TRANSFORMER 40VA 277V (M9, M11, M13)	
NS	A3410402	FUSE-15A - BLUE (M9, M10, M11)	
NS	A3410403	FUSE-20A - ORANGE (M12, M13)	
NS	A3410404	FUSE-25A - GREEN (M14)	
NS	C6476001	HOLDER-BAYONET FUSE - BLUE (M9, M10, M11)	
NS	C6476003	HOLDER-BAYONET FUSE - GREEN (M14)	
NS	C6476002	HOLDER-BAYONET FUSE - ORANGE (M12, M13)	
NS	0259P00043	WIRE HARNESS KIT	

Expanded Model Nomenclature

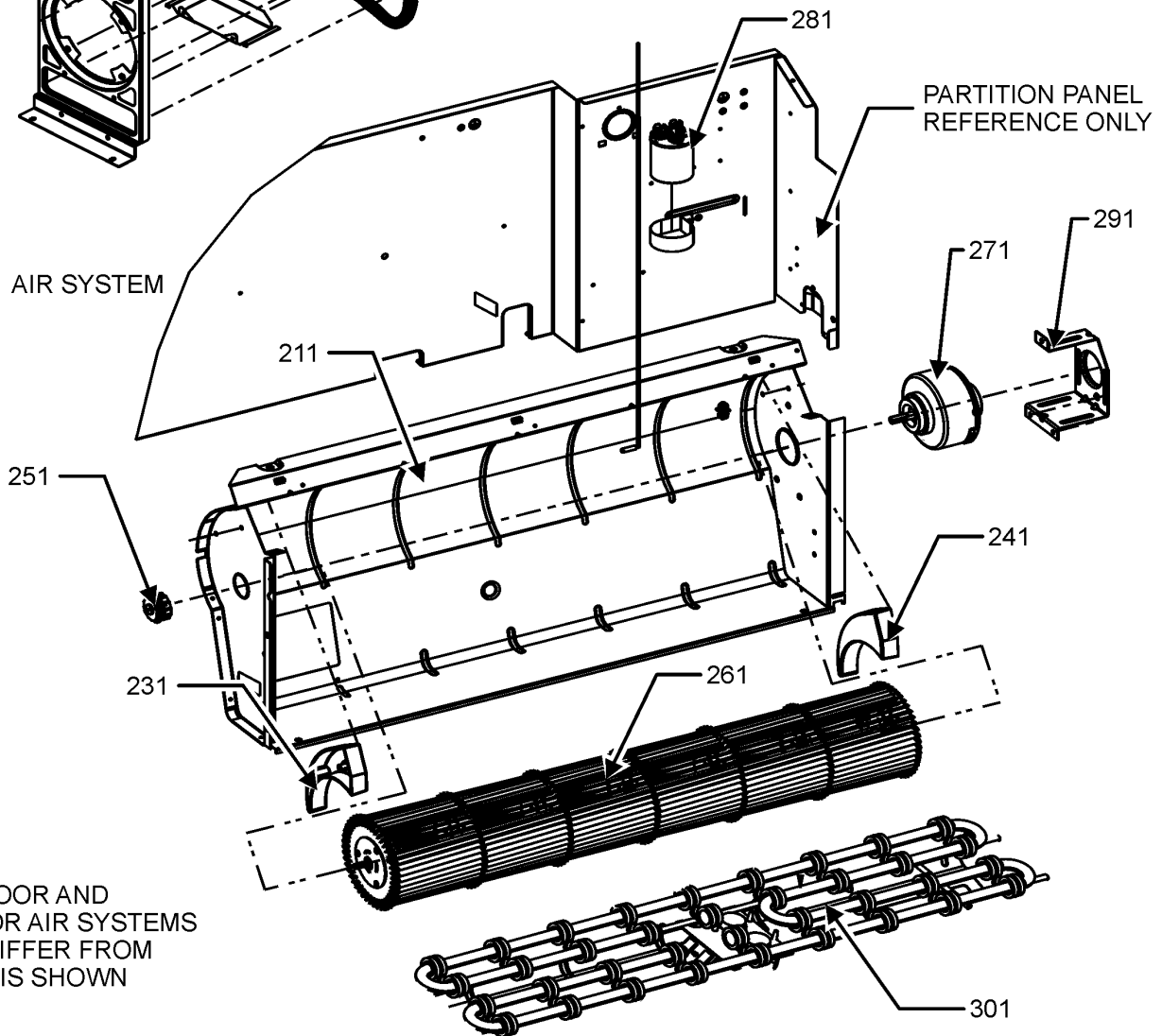
M1 - PTC123K00AXXXAA
M2 - PTC123K00HVXXAA
M3 - PTC123K00HXXAA
M4 - PTC123K25AXXXAA
M5 - PTC123K35AXXXAA
M6 - PTC123K35VXXAA
M7 - PTC123K50AXXXAA
M8 - PTC123K50VXXAA
M9 - PTC124K00HXXAA
M10 - PTC124K25AXXXAA
M11 - PTC124K25VXXAA
M12 - PTC124K35AXXXAA
M13 - PTC124K35VXXAA
M14 - PTC124K50AXXXAA

OUTDOOR AND INDOOR AIR SYSTEM

OUTDOOR AIR SYSTEM



INDOOR AIR SYSTEM



OUTDOOR AND
INDOOR AIR SYSTEMS
MAY DIFFER FROM
WHAT IS SHOWN

OUTDOOR AND INDOOR AIR SYSTEM

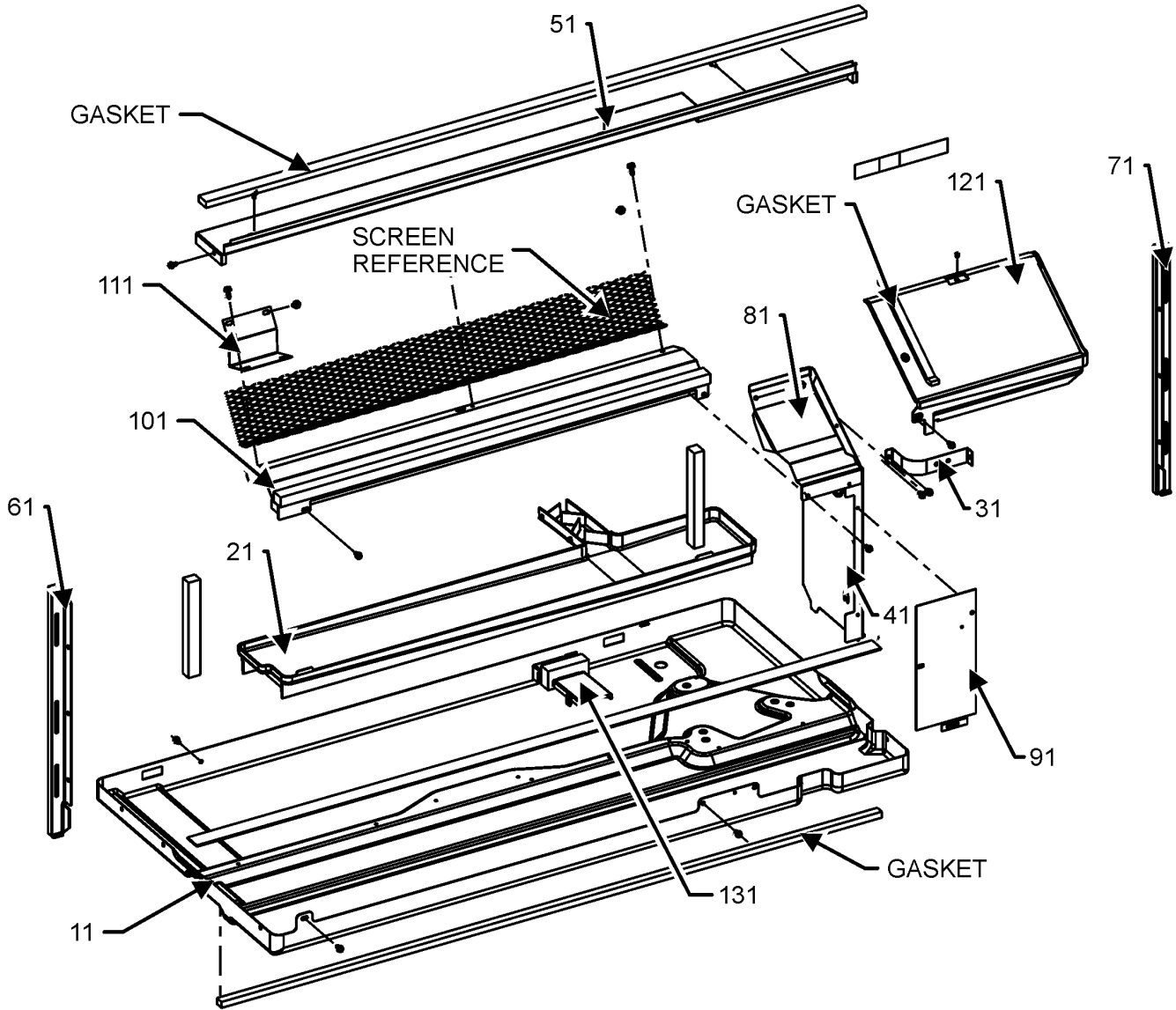
Ref. Part No:	Ref. Part No:	Description:	Description:
Image 1:			
11	0261P00034	ASY CONDENSER SHROUD	
21	0131P00085	OUTDOOR MOTOR, DC (M9)	
21	0131P00066	OUTDOOR MOTOR-PSC (M1, M2, M3, M4, M5, M6, M7, M8)	
21	0131P00067	OUTDOOR MOTOR-PSC (M10, M11, M12, M13,	
41	0161P00055	FAN CONDENSER	
81	0121P00350	MOTOR BRACKET, SHROUD	
211	0270P01642	SCROLL ASSY	
231	0161P00153	PTAC END CAP LEFT	
241	0161P00152	END CAP RIGHT	
251	0163P00027	BEARING	
261	0150P00005	WHEEL BLOWER	
271	0131P00062	INDOOR MOTOR DC (M2, M3, M9)	
271	0131P00060	INDOOR MOTOR-PSC (M1, M4, M5, M6)	
271	0131P00061	INDOOR MOTOR-PSC (M7, M8)	
271	0131P00070	INDOOR MOTOR-PSC (M10, M11, M12, M13)	
271	0131P00071	INDOOR MOTOR-PSC (M14)	
281	CAP010000500RP	CAPACITOR (M10, M11, M12, M13)	
281	CAP015000500RP	CAPACITOR (M14)	
281	CAP020000440RP	CAPACITOR (M1, M4, M5, M6, M7, M8)	
291	0121P00048	BRACKET MOTOR MOUNT	
301	0275P00087	Heater 230 v -3.5 KW (M5, M6)	
301	0275P00089	Heater 230 v -5 KW (M7, M8)	
301	0275P00088	Heater 265 v -3.5 KW (M12, M13)	
301	0275P00090	Heater 265 v -5 KW (M14)	
301	0275P00019	HEATER ASSY (M4)	
301	0275P00023	HEATER ASSY (M10, M11)	
NS	0163P00029	CAPACITOR CLAMP (M1, M4, M5, M6, M7, M8, M10, M11, M12, M13, M14)	
NS	0130P00177	CORD, 250 VAC, 20A (LCDI (M5, M6)	
NS	0130P00184	CORD, 250VAC, 15A, (LCDI (M1, M2, M3, M4)	
NS	0130P00178	CORD, 277V, 20A (M9, M10, M11, M12, M13)	
NS	0130P00186	CORD, 277V, 30A (M14)	
NS	0130P00185	CORD,250VAC,30A (LCDI) (M7, M8)	
NS	0163P00052	THERMISTOR CLAMP	

Expanded Model Nomenclature

M1 - PTC123K00AXXXAA
M2 - PTC123K00HVXXAA
M3 - PTC123K00HXXAA
M4 - PTC123K25AXXXAA
M5 - PTC123K35AXXXAA
M6 - PTC123K35VXXAA
M7 - PTC123K50AXXXAA
M8 - PTC123K50VXXAA
M9 - PTC124K00HXXAA
M10 - PTC124K25AXXXAA
M11 - PTC124K25VXXAA
M12 - PTC124K35AXXXAA
M13 - PTC124K35VXXAA
M14 - PTC124K50AXXXAA

BASE PAN ASSEMBLY

BASE PAN ASSEMBLY



BASE PAN ASSEMBLY MAY DIFFER FROM WHAT IS SHOWN

BASE PAN ASSEMBLY

Ref. Part No: No:	Description:	Ref. Part No: No:	Description:
-------------------	--------------	-------------------	--------------

Image 1:

11	0121P00284DG	BASE PAN PAINTED
21	0161P00154	PLASTIC- DRAIN PAN
31	C6300502	STAP CAP CO PTC
41	0121P00432	PANEL MID PRT
51	0121P00376	TOP PARTITION PNT
61	0121P00379	SEAL L SIDE PTC
71	0121P00380	SEAL R SIDE PTC
81	0121P00371DG	PAINTED COVER MOTOR
91	0121P00374	COVER ACCESS
101	0121P00377DG	CUTOFF SCROLL DG
111	0121P00233	LEFT SIDE SCRILL BLOCKOFF
121	0161P00142	SPLASH GUARD
131	0161P00147	COVER DRAIN PAN

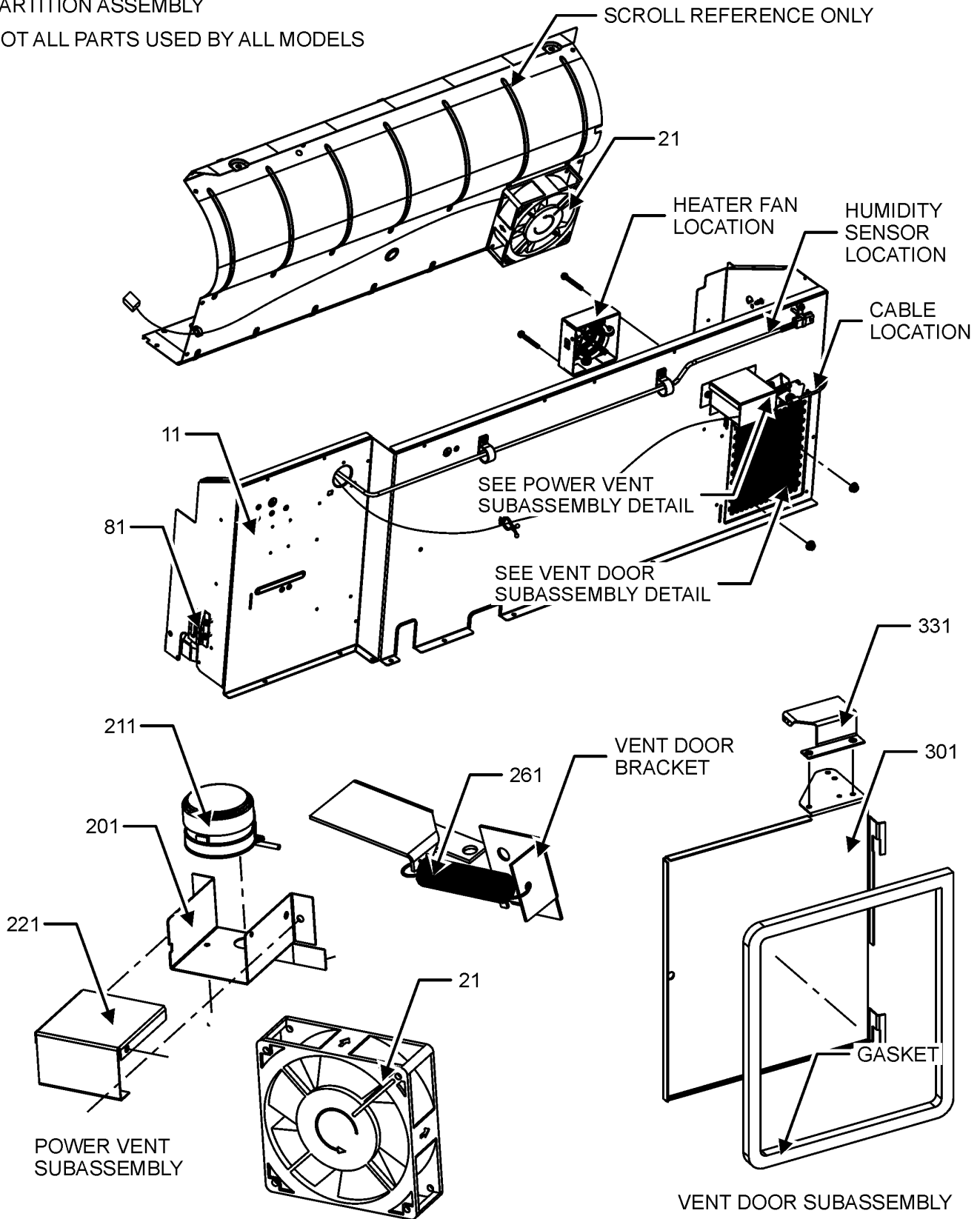
Expanded Model Nomenclature

M1 - PTC123K00AXXXAA
M2 - PTC123K00HVXXAA
M3 - PTC123K00HXXAA
M4 - PTC123K25AXXXAA
M5 - PTC123K35AXXXAA
M6 - PTC123K35VXXAA
M7 - PTC123K50AXXXAA
M8 - PTC123K50VXXAA
M9 - PTC124K00HXXAA
M10 - PTC124K25AXXXAA
M11 - PTC124K25VXXAA
M12 - PTC124K35AXXXAA
M13 - PTC124K35VXXAA
M14 - PTC124K50AXXXAA

PARTITION ASSEMBLY

PARTITION ASSEMBLY

NOT ALL PARTS USED BY ALL MODELS



PARTITION ASSEMBLY MAY DIFFER FROM WHAT IS SHOWN

PARTITION ASSEMBLY

Ref. Part No:	Part No:	Description:	Ref. Part No:	Part No:	Description:
---------------	----------	--------------	---------------	----------	--------------

Image 1:

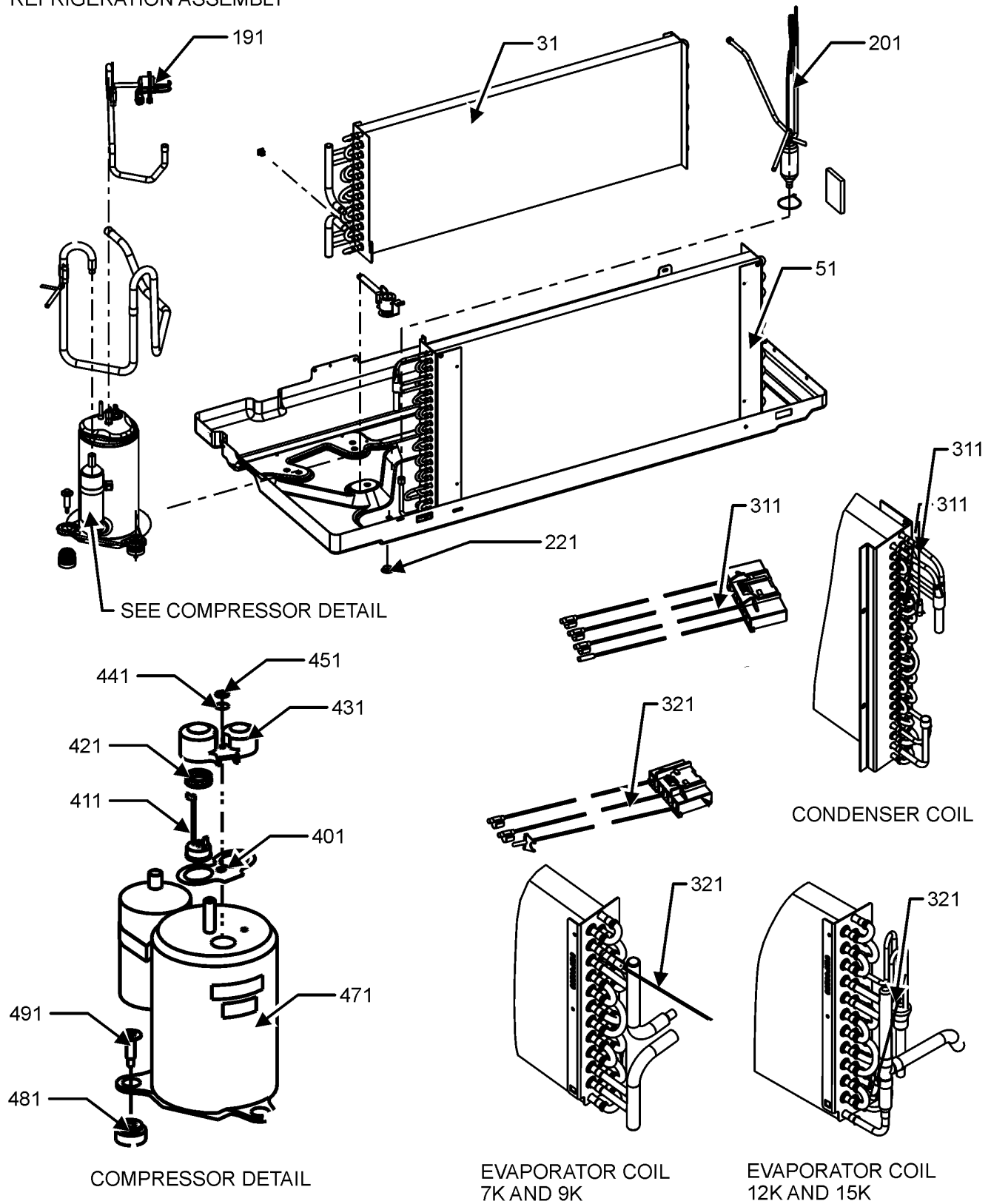
11	0121P00360	PANEL PARTITION			
21	0131P00081	FAN MUFFIN (M2, M6, M8, M11, M13)			
81	11191703	BRKT-PART PAN (M1, M4, M5, M6, M7, M8, M10, M11, M12, M13, M14)			
201	11166101	BRKT-MOTOR PTC (M2, M6, M8, M11, M13)			
211	0130P00137	MOTOR (M2, M6, M8, M11, M13)			
221	11166201	BRKT-COVER PTC (M2, M6, M8, M11, M13)			
261	11166401	SPRING-EXTENSION (M2, M6, M8, M11, M13)			
301	0121P00177	DOOR PNT VENT PTC			
331	0121P00180	BRKT POWER VENT (M2, M6, M8, M11, M13)			
NS	0121P00072	BRACKET, VENT DOOR (M1, M3, M4, M5, M7, M9, M10, M12, M14)			
NS	0121P00079	BRACKET, VENT DOOR (M2, M6, M8, M11, M13)			
NS	0163P00019	CABLE (M1, M3, M4, M5, M7, M9, M10, M12, M14)			
NS	0130P00187	HUMIDITY SENSOR (M2, M6, M8, M11, M13)			
NS	11046302	LEVER ARM PTC (M1, M3, M4, M5, M7, M9, M10, M12, M14)			
NS	0259P00039	WIRE HARNESS (M2, M6, M8, M11, M13)			

Expanded Model Nomenclature

M1 - PTC123K00AXXXAA
M2 - PTC123K00HVXXAA
M3 - PTC123K00HXXAA
M4 - PTC123K25AXXXAA
M5 - PTC123K35AXXXAA
M6 - PTC123K35VXXAA
M7 - PTC123K50AXXXAA
M8 - PTC123K50VXXAA
M9 - PTC124K00HXXAA
M10 - PTC124K25AXXXAA
M11 - PTC124K25VXXAA
M12 - PTC124K35AXXXAA
M13 - PTC124K35VXXAA
M14 - PTC124K50AXXXAA

REFRIGERATION ASSEMBLY

REFRIGERATION ASSEMBLY



REFRIGERATION ASSEMBLY MAY DIFFER FROM WHAT IS SHOWN

REFRIGERATION ASSEMBLY

Ref. Part No:	Ref. Part No:	Description:	Description:
Image 1:			
31	0202P00115	7MM EVAP ASSY 2ROW	
51	0201P00164	ASSY 5MM CONDENSER COIL	
191	0130M00735	SWITCH HIGH PRESSURE	
201	0210P00638	CAPILLARY WELDMENT (M9, M10, M11, M12, M13, M14)	
201	0210P00737	CAPILLARY WELDMENT (M1, M2, M3, M4, M5, M6, M7, M8)	
221	M0570805	PLUG BUTTON	
311	0130P00188	THERMISTOR OUT 5MM	
321	0130P00167	THERMISTOR INDOOR	
401	60100107	TERMINAL COVER GASKET (M1, M2, M3, M4, M5, M6, M7, M8)	
401	60100103	TERMINAL GASKET (M9, M10, M11, M12, M13, M14)	
411	60349604A	OVERLOAD PROTECTOR-RED DOT (M9, M10, M11, M12, M13, M14)	
421	60500101	OLP SPRING - RECHI COMPRESSOR (M9, M10, M11, M12, M13, M14)	
431	60100317	TERMINAL COVER (M1, M2, M3, M4, M5, M6, M7, M8)	
431	60100314	TERMINAL COVER - RECHI COMP (M9, M10, M11, M12, M13, M14)	
441	60100201	WASHER - RECHI COMPRESSOR	
451	60100401	TERMINAL NUT - RECHI COMP	
471	44A287AK&JEKD	COMPRESSOR, RECHI (M9, M10, M11, M12, M13, M14)	
471	44A272GK&FEKC	Compressor-R410-A (M1, M2, M3, M4, M5, M6, M7, M8)	
481	60130203	GROMMET - RECHI COMPRESSOR (QTY 3)	
491	0163M00079	SCREW SHOULDER (QTY 3)	
NS	0259P00036	WIRE HARNESS	

Expanded Model Nomenclature

M1 - PTC123K00AXXXAA
M2 - PTC123K00HVXXAA
M3 - PTC123K00HXXAA
M4 - PTC123K25AXXXAA
M5 - PTC123K35AXXXAA
M6 - PTC123K35VXXAA
M7 - PTC123K50AXXXAA
M8 - PTC123K50VXXAA
M9 - PTC124K00HXXAA
M10 - PTC124K25AXXXAA
M11 - PTC124K25VXXAA
M12 - PTC124K35AXXXAA
M13 - PTC124K35VXXAA
M14 - PTC124K50AXXXAA