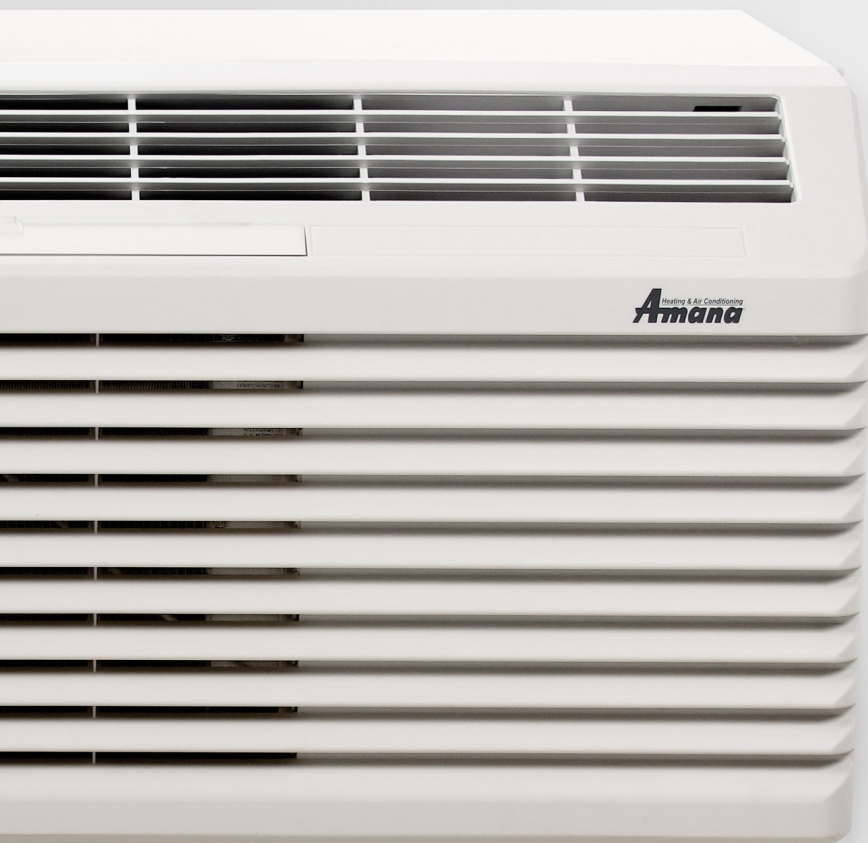


# PACKAGED TERMINAL AIR CONDITIONER (PTAC) AND HEAT PUMP

ACCESSORIES CATALOG



Our continuing commitment to quality products may mean a change in specifications without notice. Amana<sup>®</sup> is a registered trademark of Maytag Corporation or its related companies and is used under license. All rights reserved.

Copyright ©2023 Daikin Comfort Technologies Manufacturing, L.P.

PREMIUM  
**AMANA**<sup>®</sup> BRAND  
QUALITY

OUTSTANDING  
PERFORMANCE AND  
COMFORT

PREMIUM  
ENERGY MANAGEMENT  
SYSTEM



A COMBINATION OF ENERGY MANAGEMENT AND PTAC PERFORMANCE

## AMANA® BRAND EDEN SOLUTIONS TIERS



The **Amana** brand **Eden** control system brings together our best PTAC and our finest energy management software, which is now capable of integrating with optional property management and front desk management software. Reduce PTAC energy consumption up to 35% or more\* with features such as the in-unit energy management system, programmable temperature setback and temperature limiting. The Maintenance Notification System adds value by helping head off potential PTAC service issues.

### IN-ROOM “SELF-INSTALLABLE” WIRELESS PERIPHERALS



The **Eden™ Wireless Remote Thermostat** can be mounted on the wall anywhere in the guest room. It is battery powered and capable of wireless communication with the PTAC to maintain room temperature. Best of all, there are no wires to run. The PTAC and thermostat connect at the press of a button and work in sync to display accurate temperature.



The **Eden Wireless Antenna** installs inside the PTAC with a snap-in connector similar to a telephone jack. Installing the antenna allows the PTAC to communicate wirelessly with other devices in the room and the **Eden** network.

- Wireless installations since 2005: 60,000+ rooms
- Total wireless devices deployed to date: 425,000+



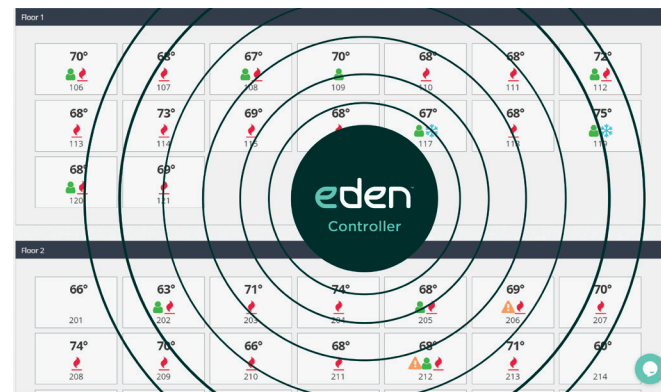
The **Eden Occupancy Sensor and Door Switch Combo Device** completes the in-room equipment. This infrared sensor can determine when the room is occupied. When empty, it signals the PTAC to adjust the temperature based on programmable setbacks to save energy.

When combined with the self-installable wireless thermostat and occupancy sensor, the **Amana®** brand **Eden** PTAC with antenna gives the property owner complete control over the equipment settings and can reduce PTAC energy usage up to 35% or more.\*

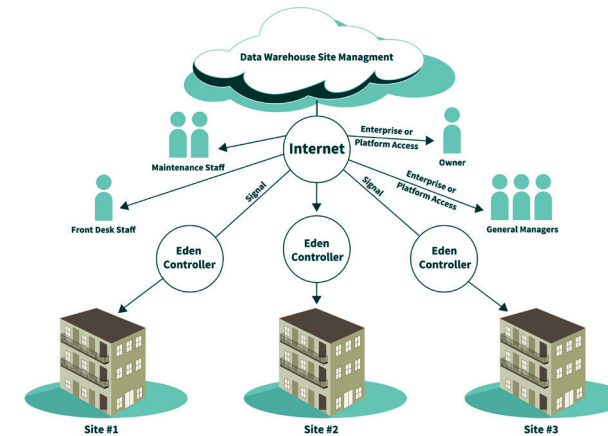
### SITE-LEVEL CENTRAL WIRELESS CONTROLLER

- Site-wide PTAC configuration
- Site-wide PTAC diagnostics
- Front desk system interface
- Email reporting
- Internet accessible web user interface enterprise

\*These savings represent estimated savings over time as compared to the same PTAC model without the **Eden** EMS installed; they were generated using general assumptions including energy loads, local weather averages and use of occupancy controls. Actual savings will vary according to use habits, room square footage and how the unit is installed and maintained.



## WEB-BASED MONITORING – AMANA BRAND EDEN CONTROLLER



### ENTERPRISE: MULTIPLE WIRELESS CONTROLLERS

Central monitoring and control of multiple properties

- Data warehousing
- Virtual metering
- Savings analysis
- Load shedding
- Email reporting

### ALL PTACS IN A BUILDING CAN BE MANAGED THROUGH A SINGLE INTERFACE ON A PC

#### Features Include:

- Full unit details for every PTAC, visible from the front desk or home office
- Automatic emails for PTAC maintenance
- Ability to change all settings on the unit
- Enhanced diagnostics
- Monitors up to 250 PTACs wirelessly with one controller
- Expand the network with additional controllers
  - System verification
  - Global setbacks
  - EMS configuration
  - Site statistics
  - Site statistics
  - Email reporting
  - Unit health
  - Unit code alerts

#### Unrented Set-Points

By integrating with your property's Front Desk System, the PTACs will adjust to specific set-points when no longer identified as rented in the system.

#### Temperature Limiting

Each PTAC can be configured with a heating and cooling temperature set-point limit.

#### Setbacks

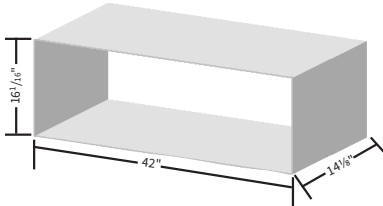
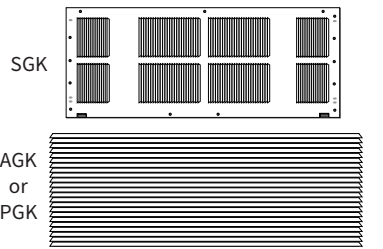
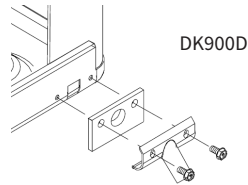
Once a room is declared unoccupied by the occupancy sensor, the PTAC progresses through three different temperature setbacks, configured as three degree and time pairs.

*Example setback configuration:*

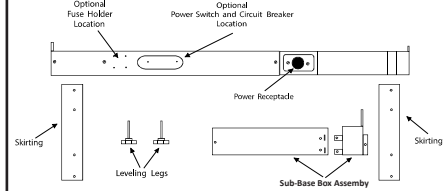
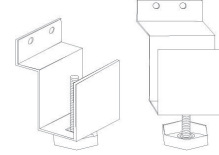

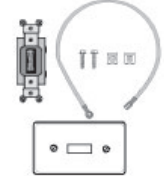
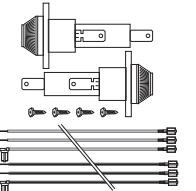
- 1. 2°, 30 mins**  
Setback the temp 2 degrees after 30 minutes
- 2. 4°, 1 hr**  
Setback the temp 2 more degrees after 30 more minutes
- 3. 8°, 3 hrs**  
Setback the temp 4 more degrees after 2 more hours

\*These savings represent estimated savings over time as compared to the same PTAC model without the **Eden** EMS installed; they were generated using general assumptions including energy loads, local weather averages and use of occupancy controls. Actual savings will vary according to use habits, room square footage and how the unit is installed and maintained.

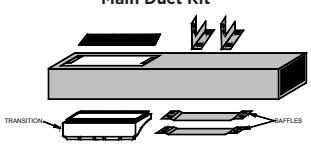

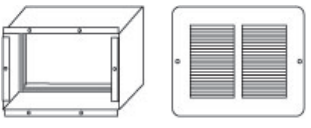
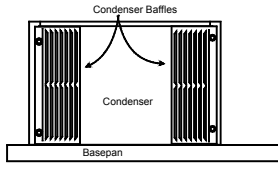
ACCESSORIES

<p><b>Wall Sleeves</b> All our wall sleeves have industry standard dimensions of 42" wide x 16 1/8" high. The WS900E, SC and internal 14 1/8" depth is the industry-standard. Sleeves may be shipped separately to allow for installation during construction.</p> <p><b>Standard-Depth Sleeves</b></p> <table border="1"> <tr><td><b>WS900QW</b></td><td>Standard PTAC sleeve</td></tr> <tr><td><b>WS900QW-SC</b></td><td>Seacoast triple protected</td></tr> <tr><td><b>WS900QW-GS</b></td><td>Heavy sound isolation insulation sleeve</td></tr> <tr><td><b>WS900QW-INTERNAL</b></td><td>Internal drain only for window-wall installations (DK900QW sold separately)</td></tr> </table>	<b>WS900QW</b>	Standard PTAC sleeve	<b>WS900QW-SC</b>	Seacoast triple protected	<b>WS900QW-GS</b>	Heavy sound isolation insulation sleeve	<b>WS900QW-INTERNAL</b>	Internal drain only for window-wall installations (DK900QW sold separately)	<p><b>Wall Sleeves:</b> Available in several depths for thicker wall installations or special room configurations.</p> <table border="1"> <tr><td><b>WS9xxQW-C</b></td><td>Collapsible and disassembled for efficient shipping. 16" to 24" in 1" increments. Also available in 28", 30", 32", 36" and 40".</td></tr> <tr><td><b>WS9xxQW-CFA</b></td><td>Collapsible and fully assembled. 16" to 24" in 1" increments. Also available in 28", 30", 32", 36", and 40".</td></tr> </table>	<b>WS9xxQW-C</b>	Collapsible and disassembled for efficient shipping. 16" to 24" in 1" increments. Also available in 28", 30", 32", 36" and 40".	<b>WS9xxQW-CFA</b>	Collapsible and fully assembled. 16" to 24" in 1" increments. Also available in 28", 30", 32", 36", and 40".													
<b>WS900QW</b>	Standard PTAC sleeve																									
<b>WS900QW-SC</b>	Seacoast triple protected																									
<b>WS900QW-GS</b>	Heavy sound isolation insulation sleeve																									
<b>WS900QW-INTERNAL</b>	Internal drain only for window-wall installations (DK900QW sold separately)																									
<b>WS9xxQW-C</b>	Collapsible and disassembled for efficient shipping. 16" to 24" in 1" increments. Also available in 28", 30", 32", 36" and 40".																									
<b>WS9xxQW-CFA</b>	Collapsible and fully assembled. 16" to 24" in 1" increments. Also available in 28", 30", 32", 36", and 40".																									
<p><b>Outdoor Grilles</b> Available in stamped aluminum or architecturally louvered for application with an Amana brand WS900QW wall sleeve.</p> <p><b>AGK:</b> Extruded aluminum architectural grille available with an anodized aluminum finish or a baked-on paint finish for durability. Choose from 5 stock colors or a custom color to blend with your building's exterior color scheme. <b>Colors include:</b> <b>CB (clear anodized), DB (dark brown/bronze), TB (stonewood beige), WB (white), QW (quiet white), SB (special/custom colors)</b></p> <p><b>PGK:</b> One-piece injection-molded grille made using a polymer blend of engineered thermoplastic high-impact strength material with chemical resistance and an exterior UV protective coating. <b>Choose from 4 stock colors:</b> <b>DB (dark brown/bronze), TB (stonewood beige), WB (white), QW (quiet white)</b></p>	<p><b>Standard Outdoor Grille</b></p> <table border="1"> <tr><td><b>SGK01B</b></td><td>Single pack</td></tr> <tr><td><b>SGK01QW</b></td><td>Quiet white</td></tr> </table> <p><b>Architectural Outdoor Grille</b></p> <table border="1"> <tr><td><b>AGK01CB</b></td><td>Anodized aluminum</td></tr> <tr><td><b>AGK01DB</b></td><td>Dark bronze/brown</td></tr> <tr><td><b>AGK01TB</b></td><td>Stonewood beige</td></tr> <tr><td><b>AGK01WB</b></td><td>Amana white</td></tr> <tr><td><b>AGK01QW</b></td><td>Quiet white</td></tr> <tr><td><b>AGK01SB</b></td><td>Custom colors</td></tr> <tr><td><b>PGK01DB</b></td><td>Dark bronze/brown</td></tr> <tr><td><b>PGK01TB</b></td><td>Stonewood beige</td></tr> <tr><td><b>PGK01WB</b></td><td>Amana white</td></tr> <tr><td><b>PGK01QW</b></td><td>Quiet white</td></tr> </table>	<b>SGK01B</b>	Single pack	<b>SGK01QW</b>	Quiet white	<b>AGK01CB</b>	Anodized aluminum	<b>AGK01DB</b>	Dark bronze/brown	<b>AGK01TB</b>	Stonewood beige	<b>AGK01WB</b>	Amana white	<b>AGK01QW</b>	Quiet white	<b>AGK01SB</b>	Custom colors	<b>PGK01DB</b>	Dark bronze/brown	<b>PGK01TB</b>	Stonewood beige	<b>PGK01WB</b>	Amana white	<b>PGK01QW</b>	Quiet white	
<b>SGK01B</b>	Single pack																									
<b>SGK01QW</b>	Quiet white																									
<b>AGK01CB</b>	Anodized aluminum																									
<b>AGK01DB</b>	Dark bronze/brown																									
<b>AGK01TB</b>	Stonewood beige																									
<b>AGK01WB</b>	Amana white																									
<b>AGK01QW</b>	Quiet white																									
<b>AGK01SB</b>	Custom colors																									
<b>PGK01DB</b>	Dark bronze/brown																									
<b>PGK01TB</b>	Stonewood beige																									
<b>PGK01WB</b>	Amana white																									
<b>PGK01QW</b>	Quiet white																									
<p><b>Condensate Drain Kit</b> Attaches to the wall sleeve base pan for controlled internal or external disposal of condensate.</p>	<table border="1"> <tr><td><b>DK900D</b></td><td>Condensate drain kit (use with WS900E)</td></tr> <tr><td><b>DK900QW</b></td><td>Condensate drain kit (use with WS900QW)</td></tr> </table>	<b>DK900D</b>	Condensate drain kit (use with WS900E)	<b>DK900QW</b>	Condensate drain kit (use with WS900QW)																					
<b>DK900D</b>	Condensate drain kit (use with WS900E)																									
<b>DK900QW</b>	Condensate drain kit (use with WS900QW)																									
<p><b>Low-Voltage Wire Harness Kit (not shown)</b> For quick connections of remote or wired thermostats, wired EMS or front desk with jumpers and connectors.</p>	<table border="1"> <tr><td><b>PWHK01G90</b></td><td>Wire harness kit</td></tr> </table>	<b>PWHK01G90</b>	Wire harness kit																							
<b>PWHK01G90</b>	Wire harness kit																									






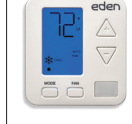
ACCESSORIES (CONT.)

<p><b>Sub-Base Kit</b> The fully skirted sub-base conceals wiring while providing strong support, if needed. Plug-in receptacle and field-wiring access speeds installation. Electrical accessories such as fuse holders, circuit breakers and disconnect switches meet N.E.C. requirements.</p>	<table border="1"> <tr><td><b>PTSB320QW</b></td><td>230/208V 15/20A</td></tr> <tr><td><b>PTSB330QW</b></td><td>230/208V 30A</td></tr> <tr><td><b>PTSB420QW</b></td><td>265V 15/20A</td></tr> <tr><td><b>PTSB430QW</b></td><td>265V 25A</td></tr> <tr><td><b>PTSB000QW</b></td><td>Non-electrical</td></tr> </table>	<b>PTSB320QW</b>	230/208V 15/20A	<b>PTSB330QW</b>	230/208V 30A	<b>PTSB420QW</b>	265V 15/20A	<b>PTSB430QW</b>	265V 25A	<b>PTSB000QW</b>	Non-electrical			
<b>PTSB320QW</b>	230/208V 15/20A													
<b>PTSB330QW</b>	230/208V 30A													
<b>PTSB420QW</b>	265V 15/20A													
<b>PTSB430QW</b>	265V 25A													
<b>PTSB000QW</b>	Non-electrical													
<p><b>Leveling Legs</b> Gives wall sleeve front support and helps to level the unit for installation.</p>	<table border="1"> <tr><td><b>LL2QW</b></td><td>Leveling legs for WS9**QW sleeves</td></tr> </table>	<b>LL2QW</b>	Leveling legs for WS9**QW sleeves											
<b>LL2QW</b>	Leveling legs for WS9**QW sleeves													
<p><b>Hard-Wire Kits</b> Used to permanently wire to the chassis when a standard sub-base and power cord are not utilized. <b>Factory Installed Feature Code - W</b></p>	<table border="1"> <tr><td><b>PTPWHWK4</b></td><td>Armored cable - all voltages</td></tr> <tr><td><b>PTQC3A</b></td><td>Quick connect - 230/208V</td></tr> <tr><td><b>PTQC4A</b></td><td>Quick connect - 265 &amp; 115V</td></tr> </table>	<b>PTPWHWK4</b>	Armored cable - all voltages	<b>PTQC3A</b>	Quick connect - 230/208V	<b>PTQC4A</b>	Quick connect - 265 & 115V							
<b>PTPWHWK4</b>	Armored cable - all voltages													
<b>PTQC3A</b>	Quick connect - 230/208V													
<b>PTQC4A</b>	Quick connect - 265 & 115V													
<p><b>Power Disconnect Switch</b> The PSHW**A power disconnect switch can be used for 265-volt or 230/208-volt physical disconnect, where required by local codes. The switch is rated at 30-amp capacity. The switch is for use with Amana brand standard sub-bases or PTPWHWK4 hard wire kit.</p>	<table border="1"> <tr><td><b>PSHW03A</b></td><td>230/208V</td></tr> <tr><td><b>PSHW04A</b></td><td>265V</td></tr> </table>	<b>PSHW03A</b>	230/208V	<b>PSHW04A</b>	265V									
<b>PSHW03A</b>	230/208V													
<b>PSHW04A</b>	265V													
<p><b>Fuse Holder Kit</b> Cartridge-style fuses can be installed in the fuse holder for use in the sub-base or chassis. Available in 15, 20 and 30 amp (included on 265-volt unit).</p>	<table border="1"> <tr><td><b>FHK315K</b></td><td>230/208V 15A - J &amp; K series</td></tr> <tr><td><b>FHK315E</b></td><td>230/208V 15A - R-410A</td></tr> <tr><td><b>FHK320K</b></td><td>230/208V 20A - J &amp; K series</td></tr> <tr><td><b>FHK320E</b></td><td>230/208V 20A - R-410A</td></tr> <tr><td><b>FHK330C</b></td><td>230/208V 30A - J &amp; K series</td></tr> <tr><td><b>FHK330K</b></td><td>230/208V 30A - R-410A</td></tr> </table>	<b>FHK315K</b>	230/208V 15A - J & K series	<b>FHK315E</b>	230/208V 15A - R-410A	<b>FHK320K</b>	230/208V 20A - J & K series	<b>FHK320E</b>	230/208V 20A - R-410A	<b>FHK330C</b>	230/208V 30A - J & K series	<b>FHK330K</b>	230/208V 30A - R-410A	
<b>FHK315K</b>	230/208V 15A - J & K series													
<b>FHK315E</b>	230/208V 15A - R-410A													
<b>FHK320K</b>	230/208V 20A - J & K series													
<b>FHK320E</b>	230/208V 20A - R-410A													
<b>FHK330C</b>	230/208V 30A - J & K series													
<b>FHK330K</b>	230/208V 30A - R-410A													

ACCESSORIES (CONT.)

<p><b>Duct Extension Kit</b> Extends air distribution to an adjoining room. Consists of a main duct for the room of origin and an extension duct to reach the adjoining room and terminal duct. PTDK01A allows for the "B" series unit to work with the "A" series duct kits.</p> <table border="1"> <tr> <td><b>MDK01QW</b></td> <td>Main duct kit - J &amp; K series</td> </tr> <tr> <td><b>EDK02QW</b></td> <td>42" extension duct - J &amp; K series</td> </tr> </table>	<b>MDK01QW</b>	Main duct kit - J & K series	<b>EDK02QW</b>	42" extension duct - J & K series	<p><b>Main Duct Kit</b></p> 	<p><b>Extension Duct Kit</b></p> 
	<b>MDK01QW</b>	Main duct kit - J & K series				
<b>EDK02QW</b>	42" extension duct - J & K series					
<table border="1"> <tr> <td><b>TDK02QW</b></td> <td>Terminal duct - J &amp; K series</td> </tr> <tr> <td><b>PTDK01QW</b></td> <td>Transition duct only - J &amp; K series</td> </tr> </table>	<b>TDK02QW</b>	Terminal duct - J & K series	<b>PTDK01QW</b>	Transition duct only - J & K series	<p><b>Terminal Duct Kit</b></p> 	
<b>TDK02QW</b>	Terminal duct - J & K series					
<b>PTDK01QW</b>	Transition duct only - J & K series					
<p><b>Condenser Baffle Kit</b> For use on non-baffled grilles. These deflectors direct the air in toward the center and away from the inlet to prevent recirculation of the hot condenser air.</p>	<table border="1"> <tr> <td><b>DGK1B</b></td> <td>Condenser baffle kit</td> </tr> </table>	<b>DGK1B</b>	Condenser baffle kit	<p><b>Condenser Baffle Kit</b></p> 		
<b>DGK1B</b>	Condenser baffle kit					

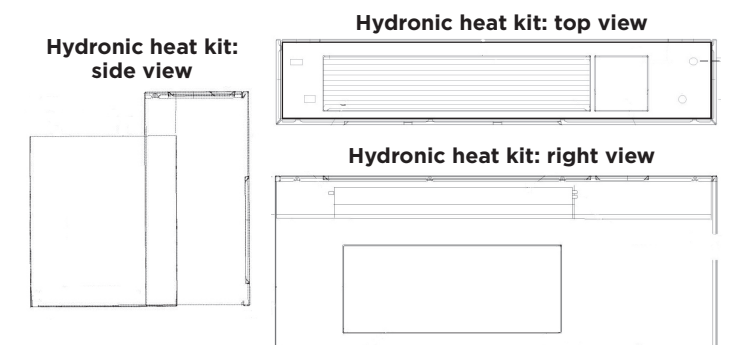
ACCESSORIES (CONT.)

Model #	Heat Stages	Cool Stages	Fan Speed	# of Wires Required	Temp Limiting	Backlit	Display	Type	Shape & Orientation	Connection
PWHT-A100C 	1	1	2	6	Yes	Yes	Digital	Manual	Square / Vertical	Wired
PHWT-A150H 	2	2	2	7	Yes	Yes	Digital	Manual	Square / Vertical	Wired
PHWT-A200 	2	2	2	7	Yes	Yes	Digital	Programmable / Auto-Change	Square / Vertical	Wired
DS01G <sup>1</sup> 	2	2	2	0	Yes	Yes	Digital	Manual / Energy Management	Square / Vertical	Wireless
MMW-2 	2	2	2	0	Yes	Yes	Digital	Manual	Rectangular	Wireless
DS02G-H 	2	2	2	7	Yes	Yes	Digital	Manual / Hilton Connected Room Compatible	Square / Vertical	Wired

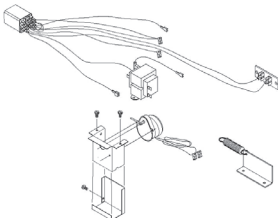

<sup>1</sup>Battery powered, but has optional hard wire capability. Requires DT01G antennas for operation.

**Hydronic Heat Kit**  
Add-on kits fit all units, allowing the addition of hydronic water or hydronic steam heat to cooling and heating units. The kits feature left- or right-hand piping. Unit retains complete service access with a kit installed. Unit must be connected to and operated by a wall thermostat.

<b>HWK03K</b>	Hydronic water kit - J & K series
<b>HWK03K</b>	Hydronic steam kit - J & K series



## ACCESSORIES (CONT.)

<p><b>Power Door Kit</b> Vent door will automatically open when unit fan is on. Factory installed feature code - D</p>	<table border="1"> <tr> <td><b>PDK3K</b></td> <td>230/208V - J &amp; K series</td> </tr> <tr> <td><b>PDK4K</b></td> <td>265V - J &amp; K series</td> </tr> <tr> <td><b>PDK3E</b></td> <td>230/208V - R-410A</td> </tr> <tr> <td><b>PDK4E</b></td> <td>265V - R-410A</td> </tr> </table>	<b>PDK3K</b>	230/208V - J & K series	<b>PDK4K</b>	265V - J & K series	<b>PDK3E</b>	230/208V - R-410A	<b>PDK4E</b>	265V - R-410A							
<b>PDK3K</b>	230/208V - J & K series															
<b>PDK4K</b>	265V - J & K series															
<b>PDK3E</b>	230/208V - R-410A															
<b>PDK4E</b>	265V - R-410A															
<p><b>Hydronic Valves</b> Water and steam valves are available for use with the HWK03 (water) and HVK03 (steam) heat kits.</p>	<table border="1"> <tr> <td><b>VW2WNCA*</b></td> <td>2-way/24V/NC/end switch</td> </tr> <tr> <td><b>VW2WNOA*</b></td> <td>2-way/24V/NO/end switch</td> </tr> <tr> <td><b>VW3WNC2B*</b></td> <td>3-way/24V/NC/NO/end switch</td> </tr> <tr> <td colspan="2">*PopTop™ actuator</td> </tr> </table>	<b>VW2WNCA*</b>	2-way/24V/NC/end switch	<b>VW2WNOA*</b>	2-way/24V/NO/end switch	<b>VW3WNC2B*</b>	3-way/24V/NC/NO/end switch	*PopTop™ actuator								
<b>VW2WNCA*</b>	2-way/24V/NC/end switch															
<b>VW2WNOA*</b>	2-way/24V/NO/end switch															
<b>VW3WNC2B*</b>	3-way/24V/NC/NO/end switch															
*PopTop™ actuator																
<p><b>Wireless RF (Radio Frequency) Controls</b> All PTACs come factory-ready for control via wireless RF devices. 2.4 GHz 802.15.4 protocol assures robust communications and response.</p>	<table border="1"> <tr> <td><b>DS01G</b></td> <td>Thermostat: 2-way<sup>2</sup> communications</td> </tr> <tr> <td><b>DD01E</b></td> <td>Occupancy sensor: EMS activation<sup>2</sup></td> </tr> <tr> <td><b>DT01G</b></td> <td>Antenna / Router not required for J &amp; K series units</td> </tr> <tr> <td><b>GT01H</b></td> <td>Generic radio antenna / router<sup>3</sup></td> </tr> <tr> <td><b>DLO1G</b></td> <td>Web-enabled platform Server link BAC-NET capable</td> </tr> <tr> <td><b>DR01G</b></td> <td>Mesh repeater<sup>1</sup></td> </tr> <tr> <td><b>DLO1G SERIAL</b></td> <td>Serial repeater<sup>1</sup></td> </tr> </table> <p><sup>1</sup>Consult Amana sales representative prior to purchase <sup>2</sup>Requires DT01G for use <sup>3</sup>Requires DS01G for use</p>	<b>DS01G</b>	Thermostat: 2-way <sup>2</sup> communications	<b>DD01E</b>	Occupancy sensor: EMS activation <sup>2</sup>	<b>DT01G</b>	Antenna / Router not required for J & K series units	<b>GT01H</b>	Generic radio antenna / router <sup>3</sup>	<b>DLO1G</b>	Web-enabled platform Server link BAC-NET capable	<b>DR01G</b>	Mesh repeater <sup>1</sup>	<b>DLO1G SERIAL</b>	Serial repeater <sup>1</sup>	
<b>DS01G</b>	Thermostat: 2-way <sup>2</sup> communications															
<b>DD01E</b>	Occupancy sensor: EMS activation <sup>2</sup>															
<b>DT01G</b>	Antenna / Router not required for J & K series units															
<b>GT01H</b>	Generic radio antenna / router <sup>3</sup>															
<b>DLO1G</b>	Web-enabled platform Server link BAC-NET capable															
<b>DR01G</b>	Mesh repeater <sup>1</sup>															
<b>DLO1G SERIAL</b>	Serial repeater <sup>1</sup>															
<p><b>Curtain Baffle Kit</b> The color-matched polymer curtain baffles help prevent curtains from falling into the discharge air stream and causing recirculation, which reduces efficiencies and shortens compressor life.</p>	<table border="1"> <tr> <td><b>PTCB10K</b></td> <td>10 pack for J &amp; K series units</td> </tr> <tr> <td><b>PTCB10E</b></td> <td>10 pack for R-410A units</td> </tr> </table>	<b>PTCB10K</b>	10 pack for J & K series units	<b>PTCB10E</b>	10 pack for R-410A units											
<b>PTCB10K</b>	10 pack for J & K series units															
<b>PTCB10E</b>	10 pack for R-410A units															

## INTAKE AIR FILTERS

It is extremely important to clean the inlet air filters once a month—or more often, if operated in dusty or dirty conditions—to properly maintain the operational performance of the PTAC unit. The two intake air filters, constructed of durable polypropylene, can be easily inserted into the cabinet front using the cabinet filter guides. Before cleaning the intake filters, turn the unit off by setting the mode switch to the OFF position. Filters should be cleaned as required. The following procedure is used to remove the intake filters:

1. Facing the unit, pull up on the filter handles located at the front top of the unit.
2. Pull each filter upward and remove.
3. Clean filters with a vacuum or with running water. Reverse this procedure to reinstall the filters.

**Note:** Accessory filter kits are available from your salesperson. All filters are permanent and cleanable. Consult your I&O Manual for other monthly cleaning instructions.

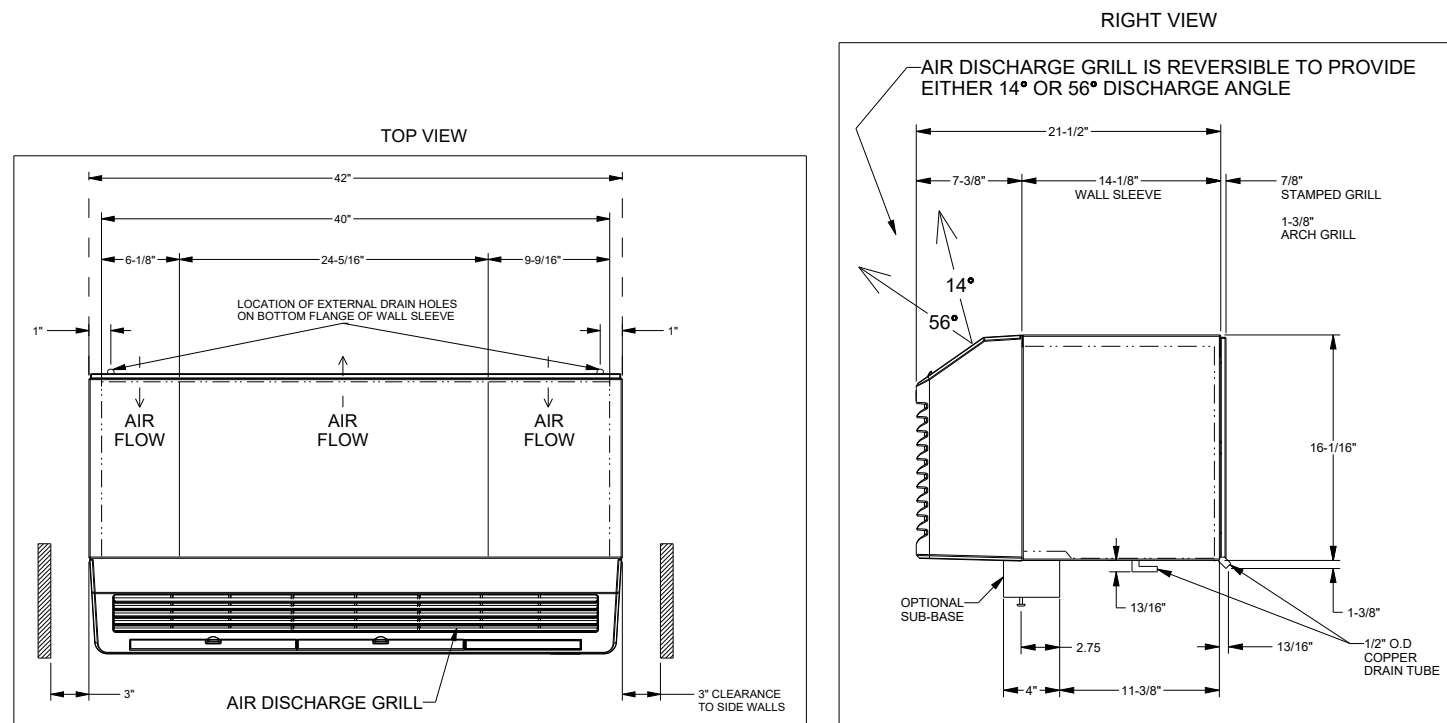
### Spare Filters

Help keep dirt and lint out of the air and off the coil, thus increasing the unit's efficiency. **Amana** brand filters are easy to remove, wash and replace.

<b>FK10K</b>	10-pack - J & K series
<b>FK10E</b>	10-pack - E & G series



UNIT WITH ACCESSORY WALL SLEEVE AND SUB-BASE ACCESSORY



1" AND 3/4" CONCENTRIC KNOCK-OUTS BACK & BOTTOM OF SUB-BASE (ELECTRICAL ONLY)

FRAMING FOR ACCESSORY WALL SLEEVE (WS9XX)

**Fastening Wall Sleeve**

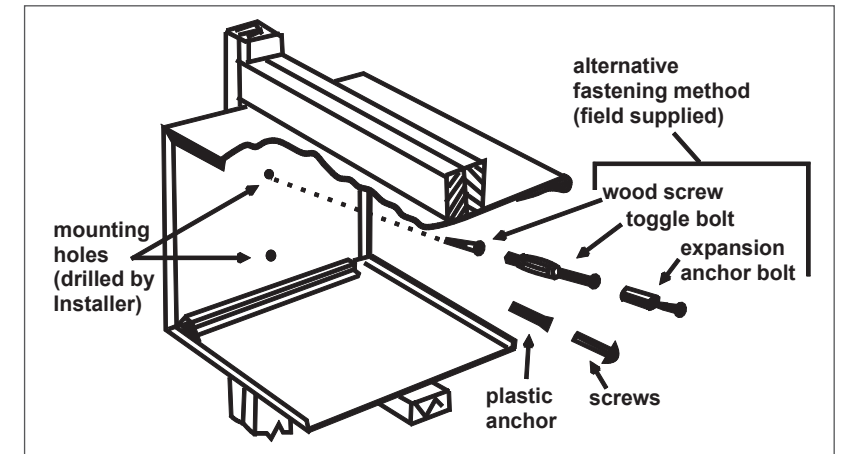
When installed in an opening, the wall sleeve must be horizontally level (side-to-side) and pitched 1/4" bubble to the outside.

(Note: If using an internal drain kit, the sleeve must be level from front to back.)

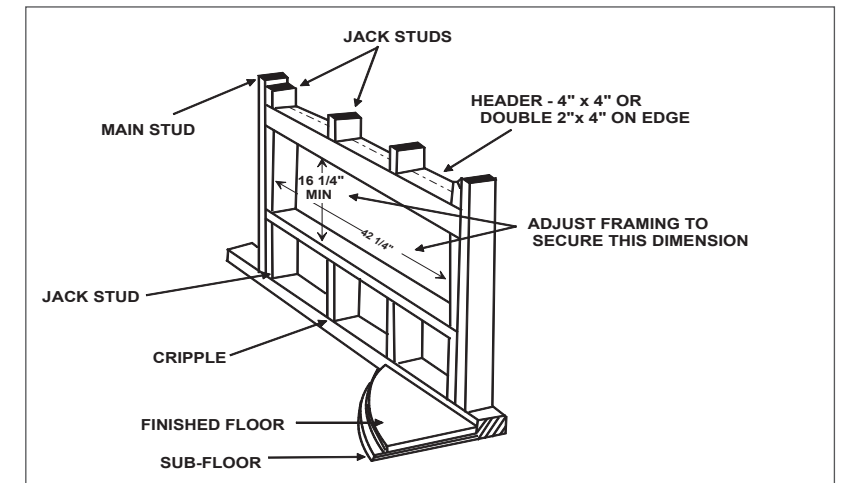
(Note: To ensure unit's maximum efficiency, **DO NOT** over- or under-pitch.)

**Installation Notes**

1. If **sub-base** (PTSB\*\*\*QW) is installed, allow minimum 3/4" height clearance and maximum 5" height clearance between wall sleeve and floor; allow minimum 2 3/4" protrusion from a finished wall. See Note 4 if using hydronic units.
2. **Drain kit** (DK900QW) is shipped separately. It can be mounted to right side, left side or bottom of sleeve. If mounted to bottom of sleeve, allow 2" height clearance from floor to bottom of sleeve.
3. For UL approval, 265V units must use **Amana brand sub-base** (PTSB\*\*\*QW) or **Amana brand hard wire kit** (PSHW04A). Overcurrent protection on 265V units must be provided by cartridge-style time delay fuses, **which are included and factory-installed on the Amana brand 265V chassis.**
4. If **hydronic kit** (HWK03 or HVK03) is installed, **wall sleeve** must extend exactly 3" into the room from the finished interior wall. If using the **Amana brand sub-base** (PTSB\*\*\*QW), only the minimum 3/4" height clearance between wall sleeve and floor is permissible. Unit must also be operated with a remote-mounted thermostat.
5. If **duct kit** (MDK\*\*\*) is installed, allow a minimum of 2 3/8" into the room from the finished interior wall.



Wall sleeve must extend a minimum of 1/4" beyond outside wall to allow for proper caulking.



Wall sleeve opening height should be squared with wall sleeve opening width.

H = 16 1/4"

W = 42 1/4"



Complete warranty details available from your dealer or at [www.amana-ptac.com](http://www.amana-ptac.com).

# A LEGACY OF COMFORT

THE IMPECCABLE REPUTATION OF AN AMERICAN ORIGINAL



Amana heating and cooling systems are a part of the enduring legacy of one of America's most recognized and respected brands. Originating eight decades ago in Amana, Iowa, the brand is synonymous with long-lasting, premium-quality products—from home appliances to heating and air conditioning equipment. Chances are, you and generations before you have enjoyed the dependable performance and longevity the **Amana** brand continues to deliver.

CALL YOUR **AMANA** BRAND PTAC SALES REPRESENTATIVE AT 800.647.2982 FOR COMPLETE DETAILS.

Before purchasing this appliance, read important information about its estimated annual energy consumption, yearly operating cost or energy efficiency rating that is available from your retailer.

*Our continuing commitment to quality products may mean a change in specifications without notice. Amana® is a registered trademark of Maytag Corporation or its related companies and is used under license. All rights reserved.*

Copyright ©2023 Daikin Comfort Technologies Manufacturing, L.P.