

Amana[®]

MMW-2

Thermostat Application Guide

Description	
Gas or Oil Heat	Yes
Electric Furnace	Yes
Heat Pump (No Aux. or Emergency Heat)	Yes
Heat Pump (With Electric Aux.)	Yes
Heat Pump (With Gas Aux.)	No
Multi-Stage Systems	No
Heat Only Systems - Floor or Wall Furnace	Yes
Cool Only Systems	Yes
High and Low Fan Speed	Yes
Millivolt	No
Emergency Heat	No
Conventional Single Stage Furnace	Yes
Geothermal	Yes

Power Type

Battery Power
 Hardwire (Common Wire)
 Hardwire (Common Wire) with
 Battery Backup

A trained, experienced technician must install this product.

Carefully read these instructions. You could damage this product or cause a hazardous condition if you fail to follow these instructions.

Una version en español de este manual se puede descargar en la pagina web de la compañía.

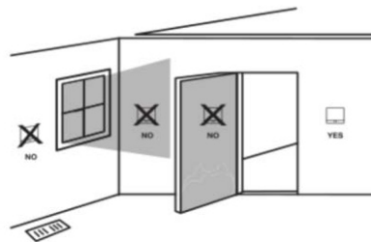
Table of Contents

page

Installation Tips	2-3
Thermostat Quick Reference	4
Wiring	5-6
Wiring Diagrams	7-8
Technician Setup	9-10
Swing Setting	11
Specifications	12

Wall Locations

The thermostat should be installed approximately 4 to 5 feet above the floor. Select an area with average temperature and good air circulation.



Installation Tip

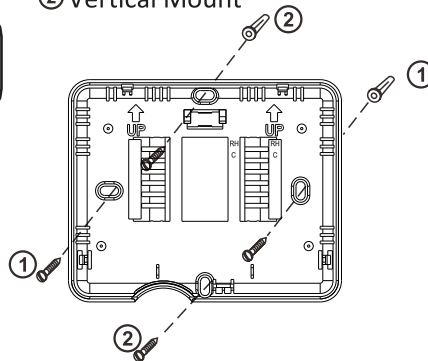
Pick an installation location that is easy for the user to access. The temperature of the location should be representative of the building.

Do not install thermostat in locations:

- Close to hot or cold air ducts
- That are in direct sunlight
- With an outside wall behind the thermostat
- In areas that do not require conditioning
- Where there are dead spots or drafts (in corners or behind doors)
- Where there might be concealed chimneys or pipes

Subbase Installation

- ① Horizontal Mount
- ② Vertical Mount



For vertical mount put one screw on the top and one screw on the bottom.
 For horizontal mount put one screw on the left and one screw on the right.

Installation Tip: Electrical Hazard

Failure to disconnect the power before beginning to install this product can cause electrical shock or equipment damage.

Mercury Notice

All of our products are mercury free. However, if the product you are replacing contains mercury, dispose of it properly. Your local waste management authority can give you instructions on recycling and proper disposal.

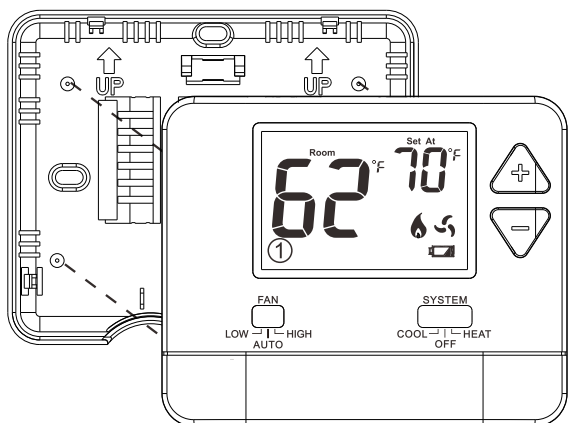
1

2

Installation Tips

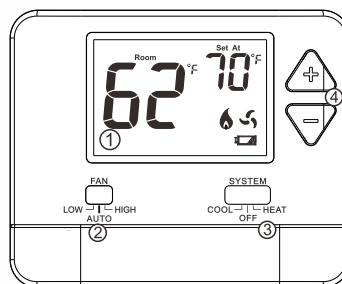
Mount Thermostat

Align the 4 tabs on the subbase with corresponding slots on the back of the thermostat, then push gently until the thermostat snaps in place.

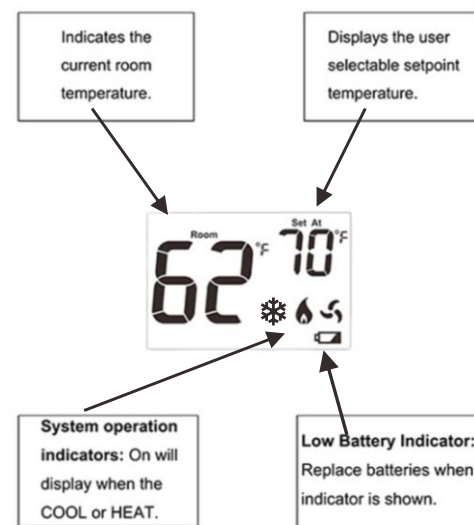


Thermostat Quick Reference

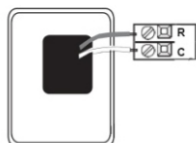
Getting to know your thermostat



- ① LCD
- ② Fan Switch
- ③ System Switch
- ④ Setpoint Buttons



Battery Installation

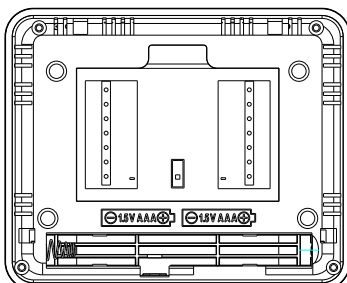


Battery installation is optional if thermostat is hardwired (R and C terminal connected to 24V power).

Important:

High quality alkaline batteries are recommended. Rechargeable batteries or low quality batteries do not guarantee a 1-year life span.

Insert 2 AAA Alkaline batteries (included). High quality alkaline batteries are recommended.



3

4

Wiring

1. If you are replacing a thermostat, make note of the terminal connections on the thermostat that is being replaced. In some cases the wiring connections will not be color coded. For example, the red wire may not be connected to the R terminal.
2. Loosen the terminal block screws. Insert wires then retighten terminal block screws.



Installation Tip

Do not overtighten terminal block screws, as this can damage the terminal block. A damaged terminal block can keep the thermostat from fitting on the subbase correctly or cause system operation issues.

Max Torque = 6in-lbs.

Wiring Tips



Caution: Electrical Hazard

Failure to disconnect the power before beginning to install this product can cause electrical shock or equipment damage.



Warning:

All components of the control system and the thermostat installation must conform to Class II circuits per the NEC Code.

C Terminal

The C (common wire) terminal does not have to be connected when the thermostat is powered by batteries.

Wire Specifications

Use shielded or non-shielded 18-22 gauge thermostat wire.



Note:

When connecting the MMW-2 to a PTAC, refer to the PTAC manufacturer instructions to enable remote thermostat operation.

	Conventional	Heat Pump
R	Transformer power	Transformer power
C	Transformer common	Transformer common
B	---	B/O Changeover valve See Tech Set Up
GL	Fan Relay, Low	Fan Relay, Low
GH	Fan Relay, High	Fan Relay, High
W	First stage of heat	Second stage of heat
Y	First stage of cool	First stage of heat & cool

Wiring

This thermostat is shipped from the factory to operate a conventional heating and cooling system. This thermostat will also operate a heat pump system. See the "heat pump" configuration step on page 10 of this manual to configure the thermostat for heat pump applications.

5

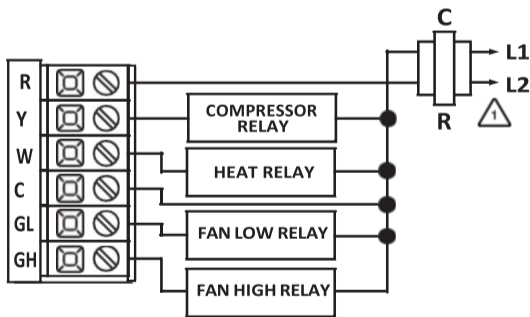
6

Wiring Diagrams

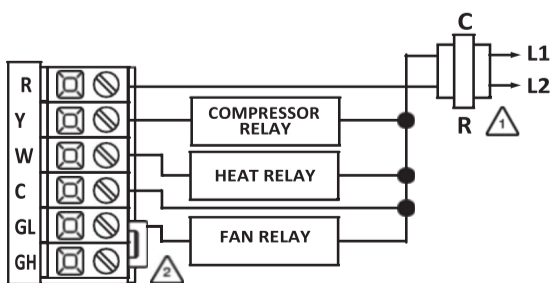
Wiring Diagrams

- 1 Power supply
- 2 Jumper (not supplied) to connect GL and GH terminals.
- 3 Thermostat must be set to O and B to match the changeover valve, O is the cool changeover valve, B is the heat changeover valve.
- 4 The Aux Heat Relay is energized as the second stage of heat.

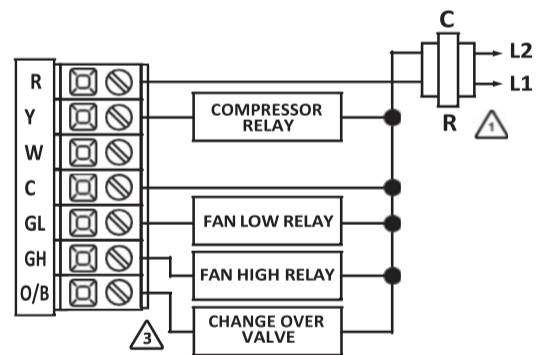
Typical 1H/1C System: 2 Speed Fan



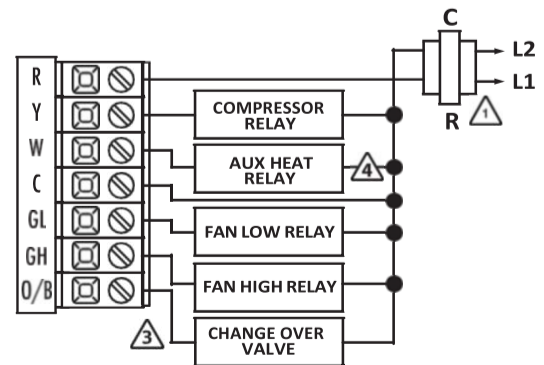
Typical 1H/1C System: 1 Speed Fan



Typical 1H/1C Heat Pump System: 2 Speed Fan



Typical 2H/1C Heat Pump System: 2 Speed Fan



Note:

Most PTAC systems support two speed fan operation. In a single speed fan PTAC system or conventional single speed fan system, a jumper should be installed between GL and GH on the thermostat.

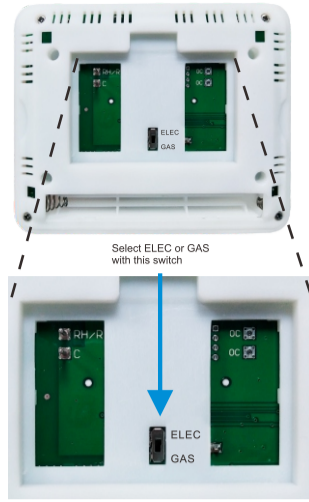
7

8

Fan Operation Setup

Electric: The thermostat operation jumper pin should be put in the ELEC position. This setting allows the thermostat to operate the fan during a call for heat. Most PTAC systems will require ELEC Fan Operation Setup.

Gas: For systems that control the fan during a call for heat, put the jumper pin into the GAS position.



Technician Setup Menu

1. Set the thermostat system switch to OFF.
2. To enter Tech Setup Menu, press and hold "+" and "-" together for 3 seconds.
3. Use "+" and "-" to select desired setting for each option.
4. Tap "+" and "-" together to move next option.
5. To exit Tech Setup Menu, move system switch or wait for 15 seconds.

Tech Setup Steps	LCD Will Show	Adjustment Options	Default
Room Temperature Calibration	0 °F <small>Calibration</small>	You can adjust the room temperature display to read up to 4° above or below the factory calibrated reading.	0 °F
Pair	LE	Press and hold "+" for 3 seconds until "LE" is flashed. Then release.	
F or C	OF	F for Fahrenheit C for Celsius	OF
Compressor Short Cycle Delay	00 <small>Com Delay</small>	Selecting ON will not allow the compressor to be turned on for 5 minutes after the last time the compressor was switched off. Select OFF to remove this delay.	00
Change Over Valve Selection	b CO	0 for cooling changeover valve, b for heating changeover valve.	b
Heat Pump	OF HU	OFF configures the thermostat for non heat pump systems. ON configures the thermostat for heat pump systems.	OFF
Heating Temperature Setpoint Limit	90 °F HE	44.0° - 90.0° F 7.0° - 32.0° C	90 °F
Cooling Temperature Setpoint Limit	44 °F CL	44.0° - 90.0° F 7.0° - 32.0° C	44 °F

Swing Setting

Specifications

1. Set the thermostat system switch to the desired position (COOL or HEAT).
2. Press and hold "+" and "-" together for 3 seconds.
3. Use "+" and "-" to adjust desired swing setting (The display reads in tenths of a degree.)
4. To exit, move system switch or wait for 1 seconds.

Swing Settings	LCD Will Show		
Cooling Swing (SYSTEM COOL) The swing setting, often called "cycle rate", "differential" or "anticipation" is adjustable. A smaller swing setting will cause more frequent cycles and a larger swing setting will cause fewer cycles.	0.8 °F <small>Cool Swing</small>	The cooling swing setting is adjustable from 0.2° to 2°. For example: A swing setting of 0.5° will turn the cooling on at approximately 0.5° above the setpoint and turn the cooling off at approximately 0.5° below the setpoint.	0.8 °F
Heating Swing (SYSTEM HEAT) The swing setting, often called "cycle rate", "differential" or "anticipation" is adjustable. A smaller swing setting will cause more frequent cycles and a larger swing setting will cause fewer cycles.	0.8 °F <small>Heat Swing</small>	The heating swing setting is adjustable from 0.2° to 2°. For example: A swing setting of 0.5° will turn the heating on at approximately 0.5° below the setpoint and turn the heating off at approximately 0.5° above the setpoint.	0.8 °F

Swing Setting

The second stage of Heat will turn on at 2x the swing setting. The second stage will turn off when 1x the swing is reached. For example, if the swing setting is 0.8° for heating and the thermostat is set at 70° F, the first stage will turn on at approximately 69.2° F. The second stage will turn on at 68.4° F and the first will turn off at 70.8° F.

RF Pairing

1. Receiver: Use a slender object into the hole and keep it depressed (for approximately 5 seconds) until the red LED starts flashing.
2. Transmitter: Turn the SYSTEM switch to OFF. Press and hold "+" and "-" together for 3 seconds to access the interface of room temperature calibration. Press and hold "+" and "-" together until "LE" is displayed on the LCD. Then press and hold "+" for 3 seconds, the transmitter will transmit the code signal. When the red LED on the receiver stops flashing, indicating that the code is successful.

MMW-2 Thermostat

- The display range of temperature ... 32°F to 99°F (1°C to 40°C)
- The control range of temperature.... 44°F to 90°F (7°C to 32°C)
- Load rating..... 1 amp per terminal, 1.5 amp maximum all terminals combined
- Swing (cycle rate or differential) Heating is adjustable from 0.2° to 2.0°
Cooling is adjustable from 0.2° to 2.0°
- Power source 18 to 30 VAC, NEC Class II, 50/60 Hz for hardwire
Battery power from 2 AAA Alkaline batteries
- Operating ambient 32°F to +105°F (0°C to +41°C)
- Operating humidity 90% non-condensing maximum
- Dimensions of thermostat 120 x 98 x 28MM
- Operating Frequency 433.92MHz